



US00D353859S

United States Patent [19] Grey

[11] Patent Number: **Des. 353,859**
[45] Date of Patent: **** Dec. 27, 1994**

[54] **THUMB EXERCISER**
[75] Inventor: **Suzanne N. Grey, San Mateo County, Calif.**
[73] Assignee: **Meddev Corporation, Los Altos, Calif.**
[**] Term: **14 Years**
[21] Appl. No.: **11,033**
[22] Filed: **Jul. 23, 1993**
[52] U.S. Cl. **D21/198**
[58] Field of Search **D21/191, 195, 198; 482/44, 45, 46, 47, 48, 49**

2,837,334 6/1958 Long 482/49
3,570,849 3/1971 Ratchford 482/49
4,553,746 11/1985 Lee 482/49
5,078,388 1/1992 Dempsey, Jr. 482/49
5,125,878 6/1992 Wingate et al. 482/121

Primary Examiner—Bernard Ansher
Assistant Examiner—Philip Hyder
Attorney, Agent, or Firm—Flehr, Hohbach, Test, Albritton & Herbert

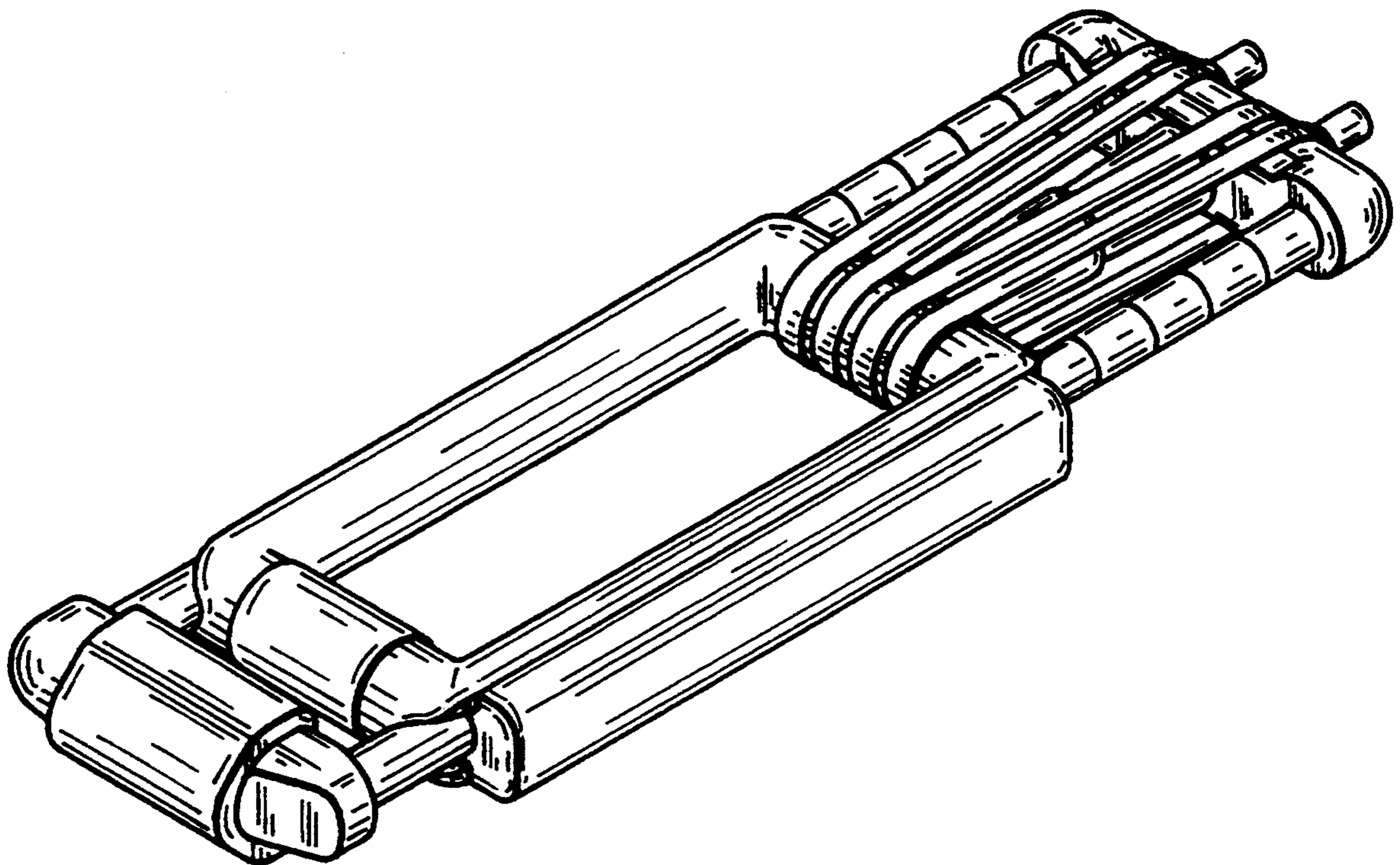
[57] CLAIM

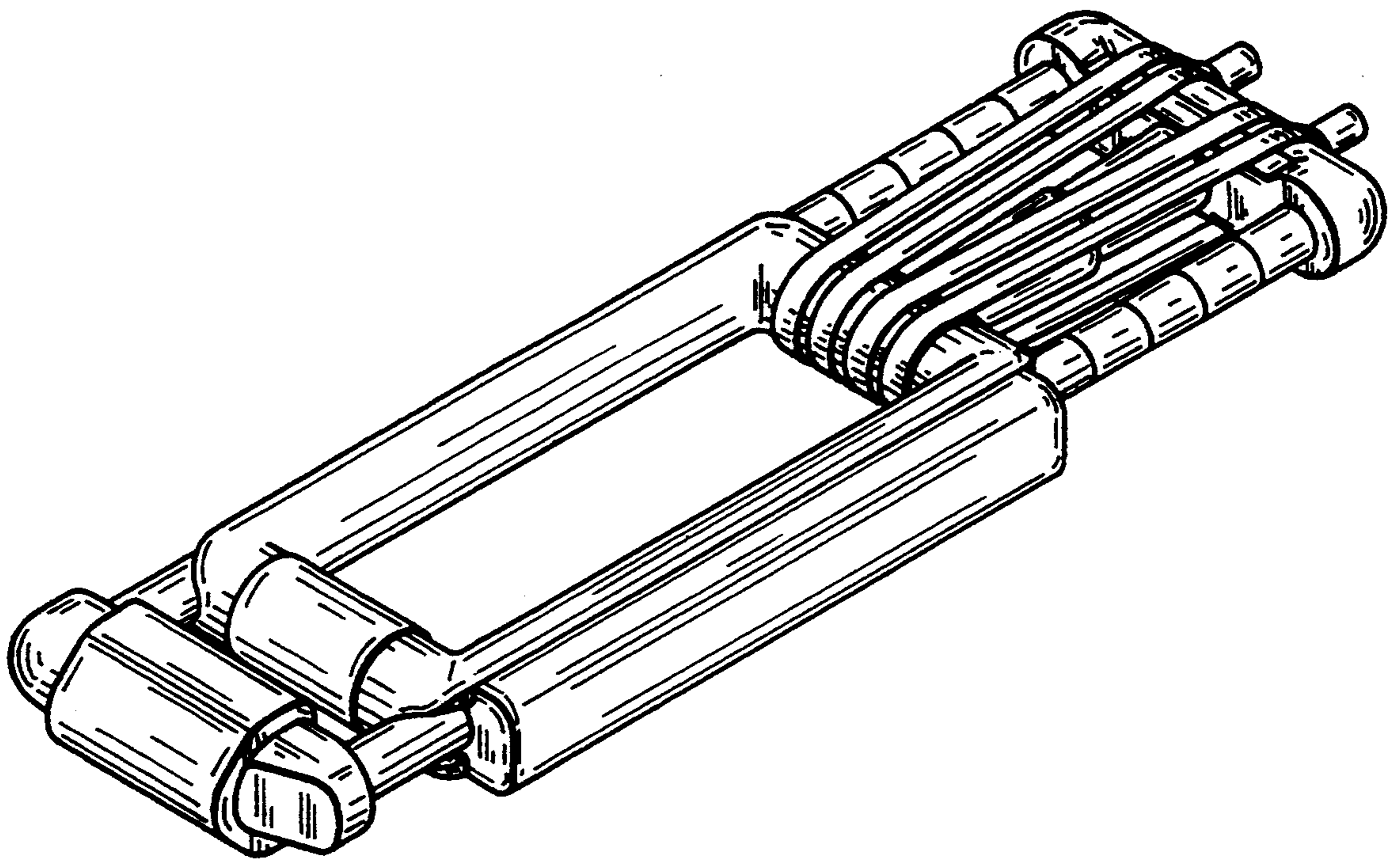
The ornamental design for a thumb exerciser, as shown and described.

DESCRIPTION

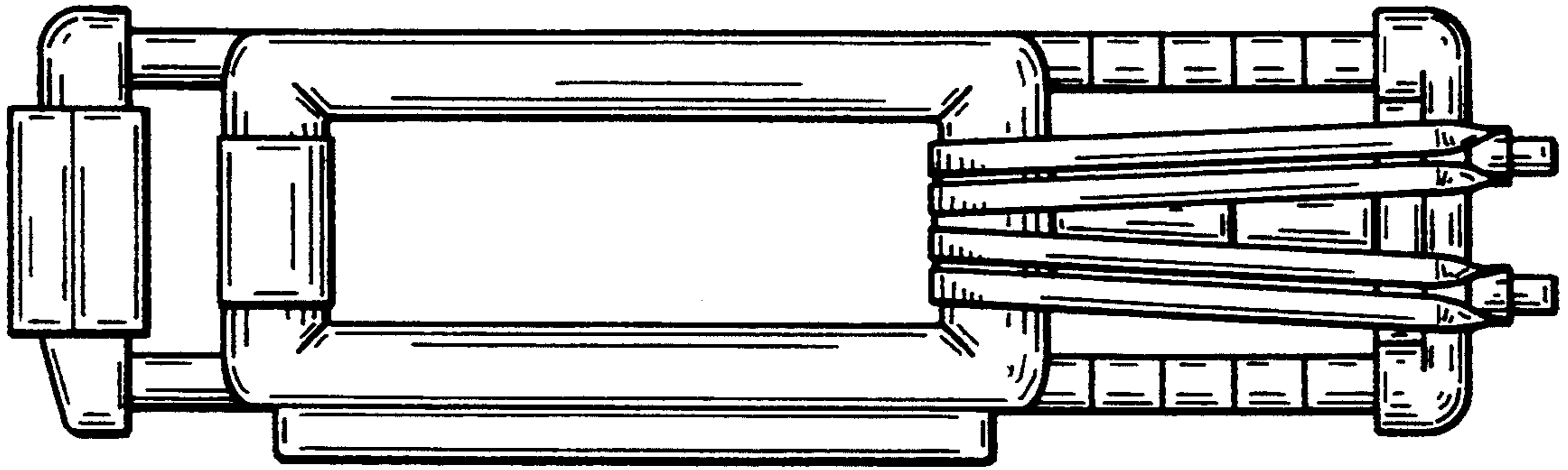
FIG. 1 is a perspective view of the thumb exerciser showing my new design;
FIG. 2 is a top plan view thereof;
FIG. 3 is a bottom plan view thereof;
FIG. 4 is a front elevational view thereof;
FIG. 5 is a rear elevational view thereof;
FIG. 6 is a left side elevational view thereof; and,
FIG. 7 is a right side elevational view thereof.

[56] **References Cited**
U.S. PATENT DOCUMENTS
D. 253,295 10/1979 Schwarz D21/198
D. 264,739 6/1982 Cooper D21/198
D. 325,411 4/1992 Everly D21/198
1,487,631 3/1924 Wanger D21/198
2,205,161 6/1940 Vick D21/198
2,633,358 3/1953 Wright 482/49

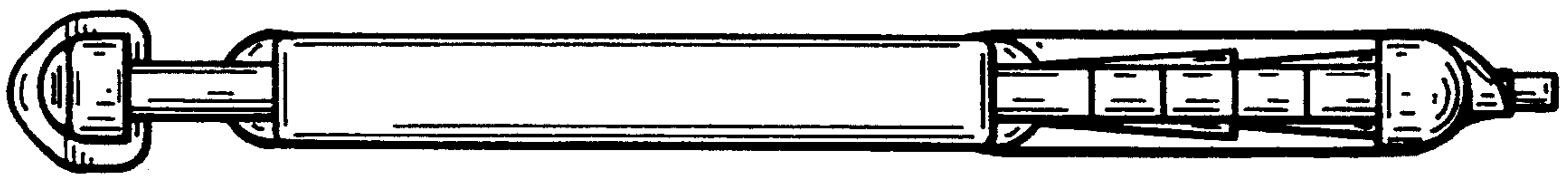




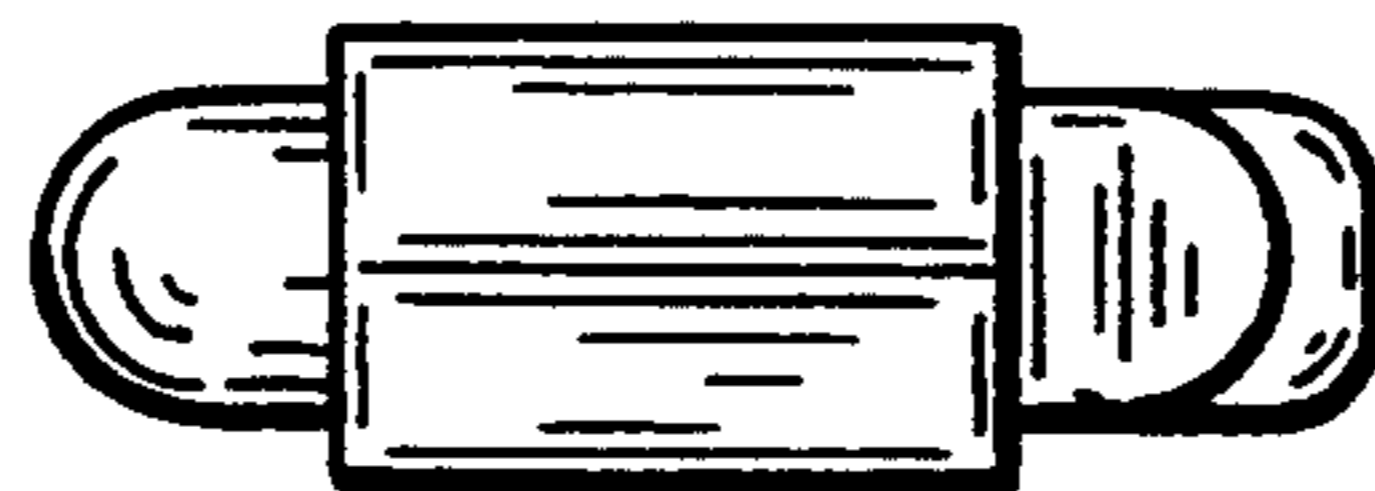
FIG_1



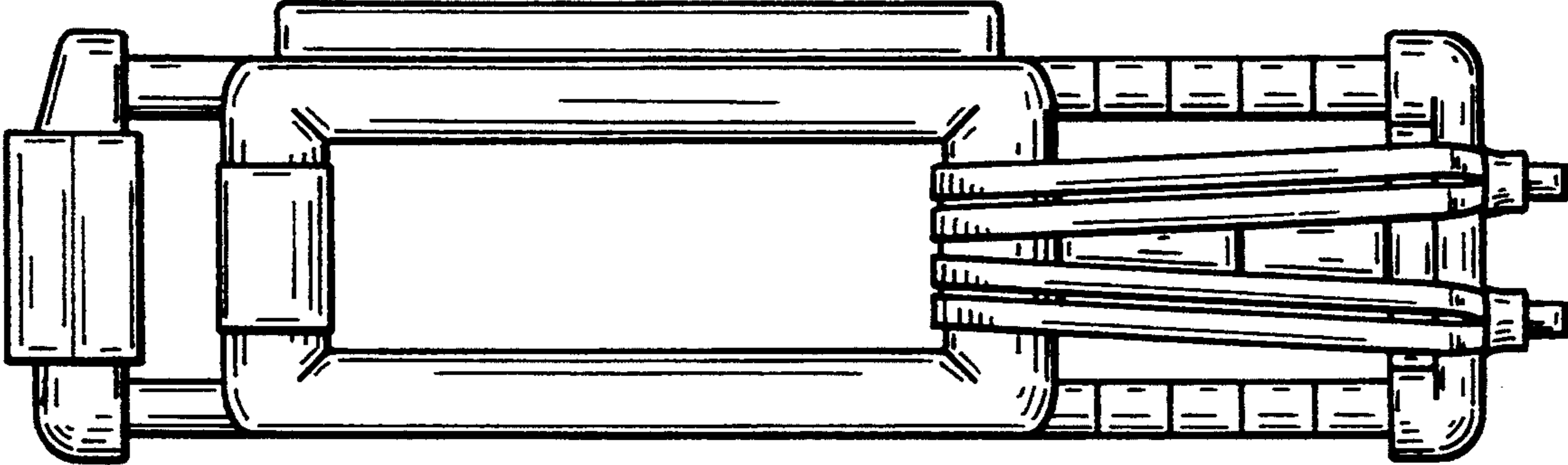
FIG_2



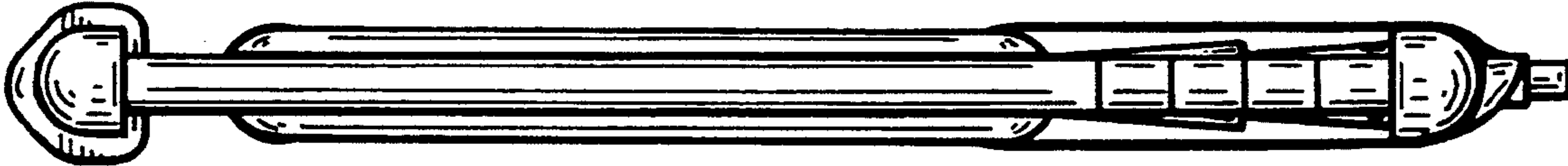
FIG_4



FIG_6



FIG_3



FIG_5



FIG_7