



US00D353853S

# United States Patent [19]

[11] Patent Number: **Des. 353,853**

Albritton

[45] Date of Patent: **\*\* Dec. 27, 1994**

[54] **PAINTBALL GUN BARREL**

5,257,615 11/1993 Jones ..... 124/56

[76] Inventor: **Tom C. Albritton**, 23214 Bane Berry,  
Magnolia, Tex. 77355

### OTHER PUBLICATIONS

Gun World Sep. 1978 p. 5 top of page.

[\*\*] Term: **14 Years**

*Primary Examiner*—Bernard Ansher

[21] Appl. No.: **15,307**

*Assistant Examiner*—R. Barkai

[22] Filed: **Nov. 15, 1993**

*Attorney, Agent, or Firm*—Harrison & Egbert

[52] U.S. Cl. .... **D21/145**

### [57] CLAIM

[58] **Field of Search** ..... D21/145-147,  
D21/236, 237, 13; D22/101, 103-104, 107-108;  
D23/225, 224, 222; 446/180, 219, 267, 430, 473,  
475; 124/25, 56, 71, 81, 83; 273/310-311, 313,  
316, 349; 42/54; 362/110-114; 222/78-79

The ornamental design for a paintball gun barrel, as shown and described.

### DESCRIPTION

### [56] References Cited

#### U.S. PATENT DOCUMENTS

D. 198,270	5/1964	Bloom	.....	D21/146
D. 288,104	2/1987	Barthropp	.....	D21/147
723,218	3/1903	Stanley	.....	42/54
1,327,723	1/1920	Midyett	.....	124/83
3,403,669	10/1968	Crossman	.....	42/54
5,119,641	6/1992	Terry	.....	446/267
5,228,427	7/1993	Gardner, Jr.	.....	124/71

FIG. 1 is a front perspective view of a paintball gun barrel showing my design;  
FIG. 2 is a right side view thereof, the left side view being a mirror image thereof;  
FIG. 3 is a top view thereof, the bottom view being a mirror image thereof;  
FIG. 4 is an enlarged end view thereof; and,  
FIG. 5 is an enlarged opposite end view thereof.  
The broken line showing of a threaded barrel in FIGS. 1-3 is for illustrative purposes only and forms no part of the claimed design.

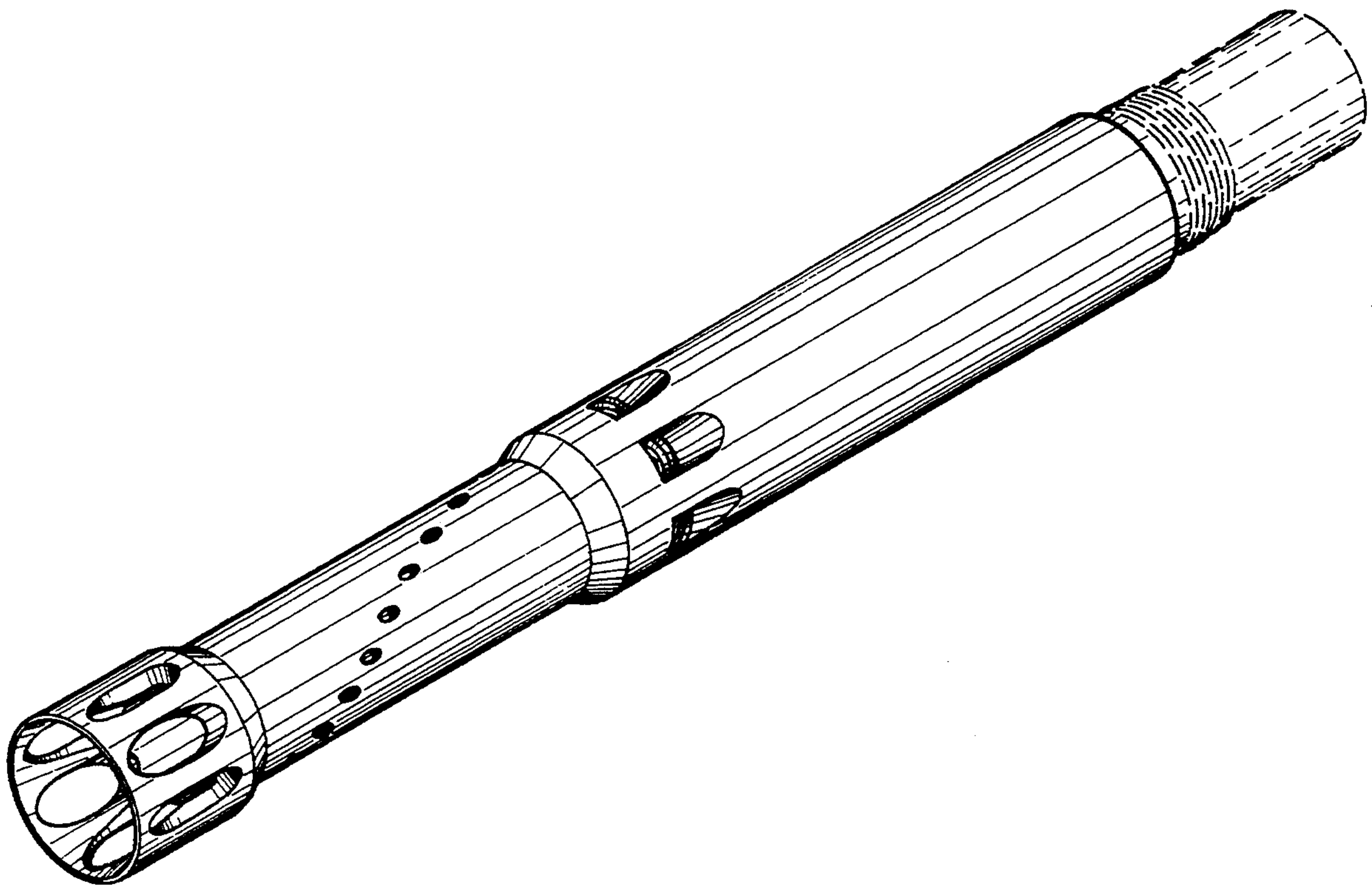


FIG. 1

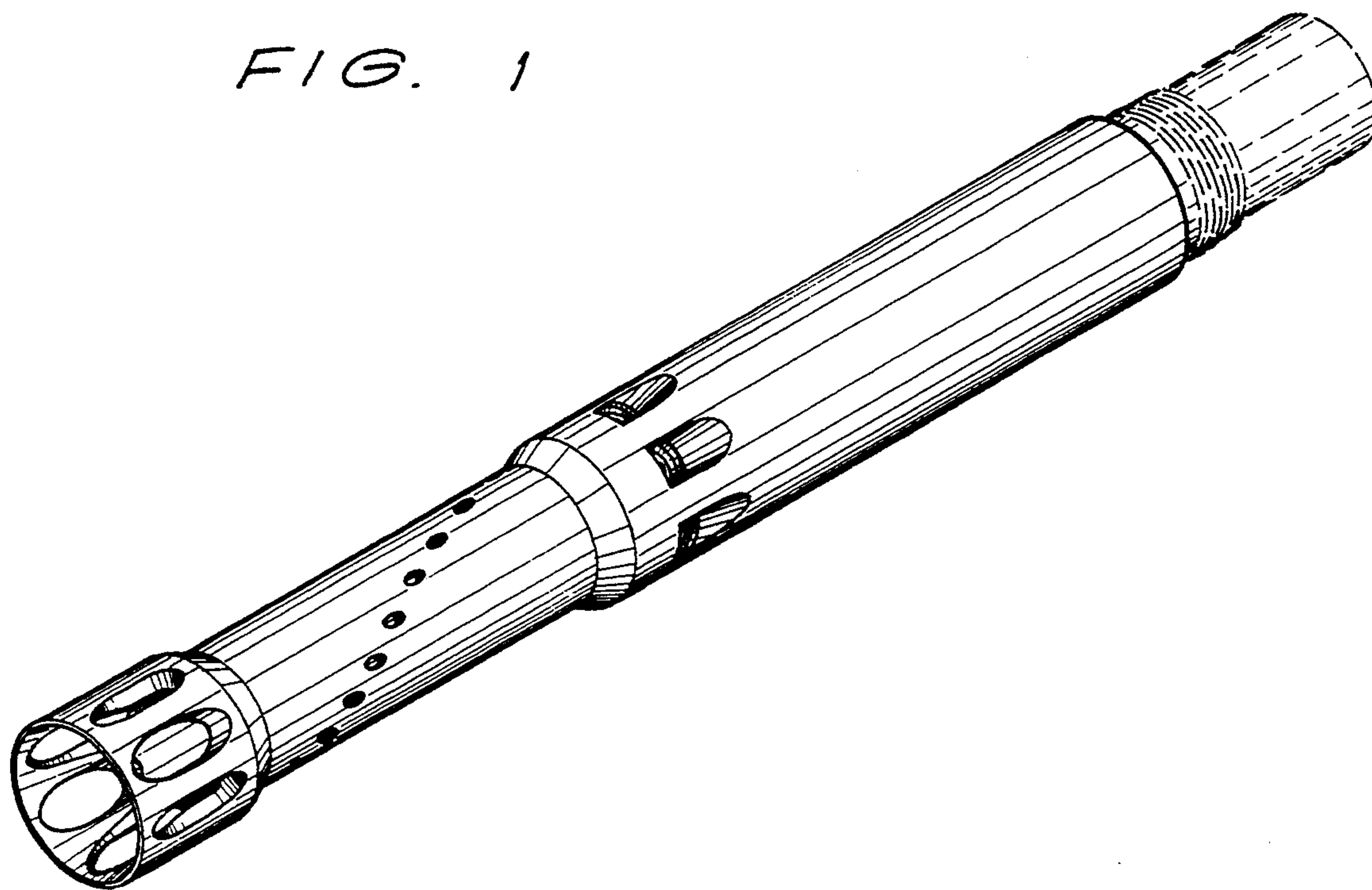


FIG. 2

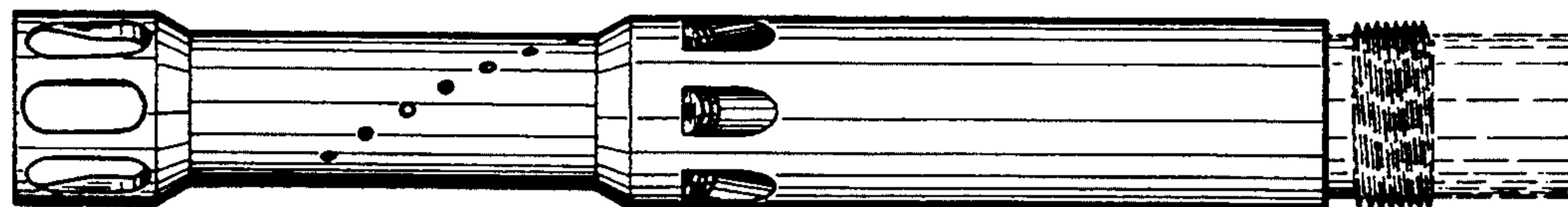


FIG. 3

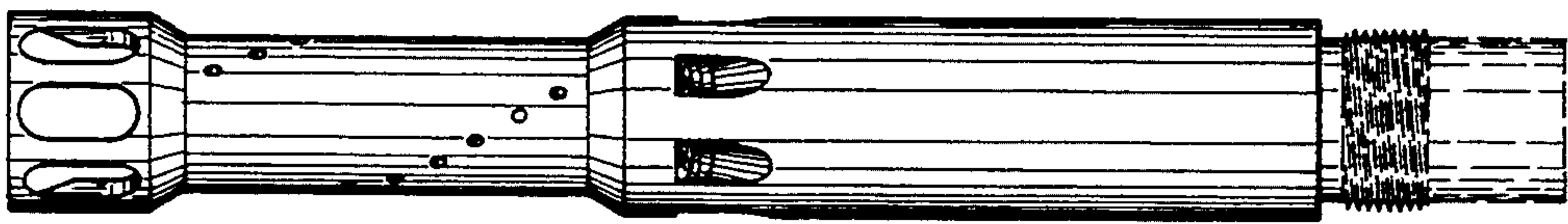


FIG. 4

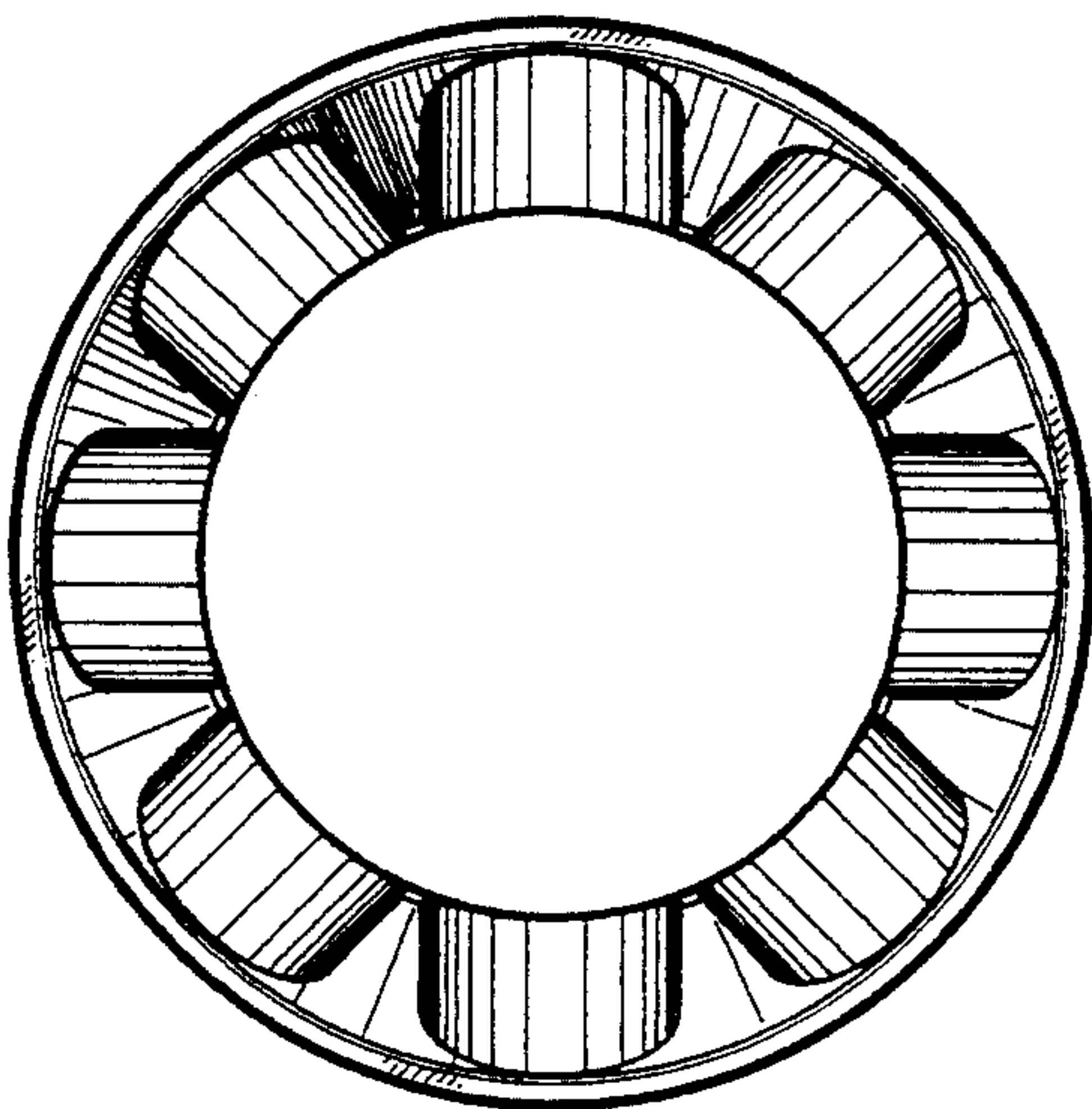


FIG. 5

