



US00D353851S

# United States Patent [19] Glynn

[11] Patent Number: **Des. 353,851**  
[45] Date of Patent: **\*\* Dec. 27, 1994**

[54] **MULTI-ORIFICED TUBULAR TOY  
CONSTRUCTION BLOCK**

[75] Inventor: **Kenneth P. Glynn**, Raritan  
Township, Hunterdon County, N.J.

[73] Assignee: **Ideal Ideas, Inc.**, Flemington, N.J.

[\*\*] Term: **14 Years**

[21] Appl. No.: **19,637**

[22] Filed: **Mar. 8, 1994**

[52] U.S. Cl. .... **D21/108**

[58] Field of Search ..... **D21/108; D25/113;  
446/103-105, 120, 124-125, 127-128, 85**

[56] **References Cited**

### U.S. PATENT DOCUMENTS

D. 231,787	6/1974	Burnley	.....	D21/108
D. 233,542	11/1974	Christiansen	.....	D21/108
D. 279,915	7/1985	Arnau	.....	D21/108
D. 285,813	9/1986	Takahashi	.....	D21/108

D. 317,478	6/1991	Larsen et al.	.	
D. 336,666	6/1993	Knudsen	.....	D21/108
D. 343,426	1/1994	Sher	.....	D21/108
3,005,282	10/1961	Christiansen	.	
3,242,610	3/1966	Christiansen	.	
3,374,917	3/1968	Troy	.....	D21/108

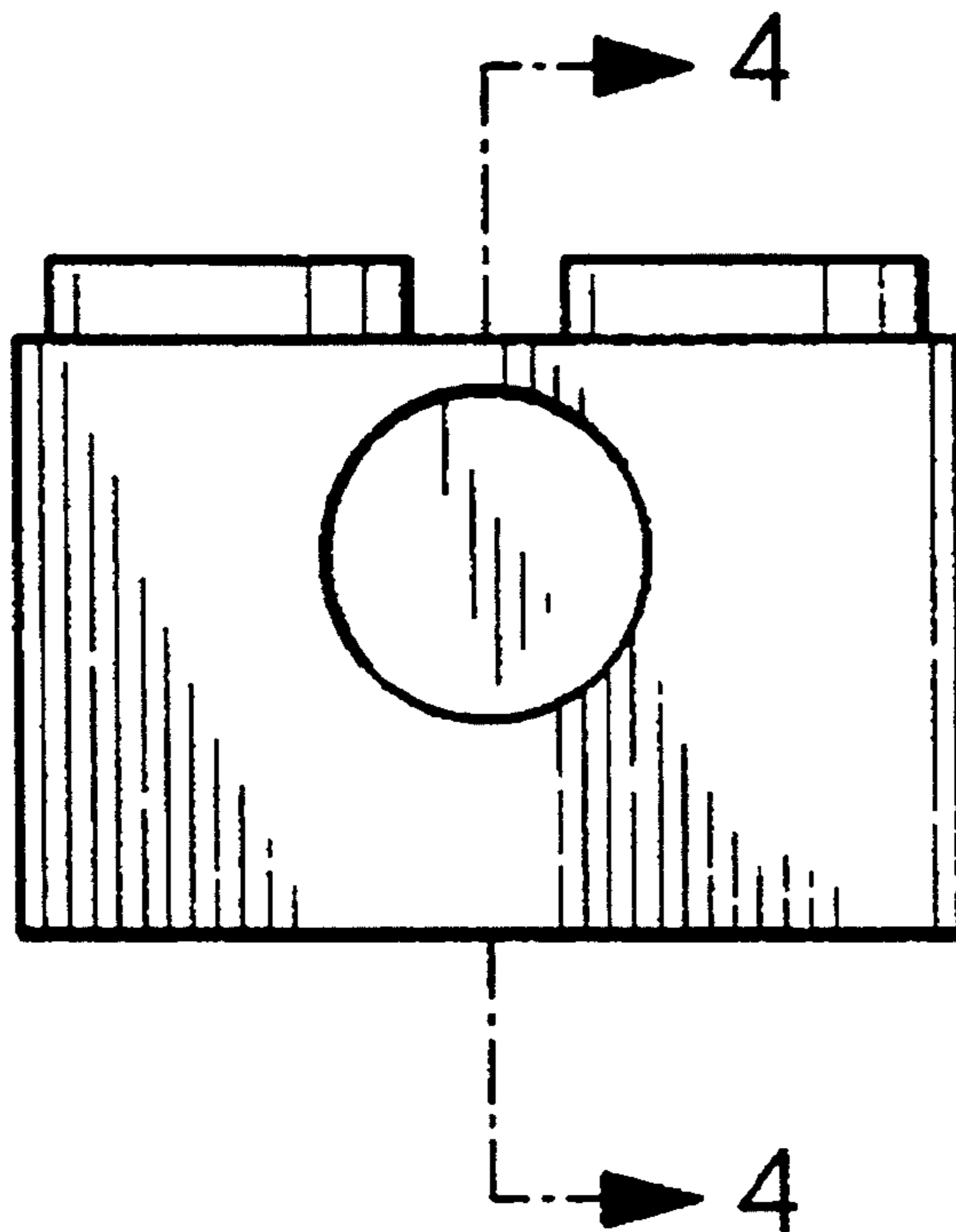
*Primary Examiner*—Bernard Ansher  
*Assistant Examiner*—R. Barkai  
*Attorney, Agent, or Firm*—Kenneth P. Glynn

### [57] CLAIM

The ornamental design for a multi-orificed tubular toy construction block, as shown and described.

### DESCRIPTION

FIG. 1 is a top view of a multi-orificed tubular toy construction block showing my new design;  
FIG. 2 is a bottom view thereof;  
FIG. 3 is a left, right, front and back side view thereof;  
and,  
FIG. 4 is a cut side view thereof.



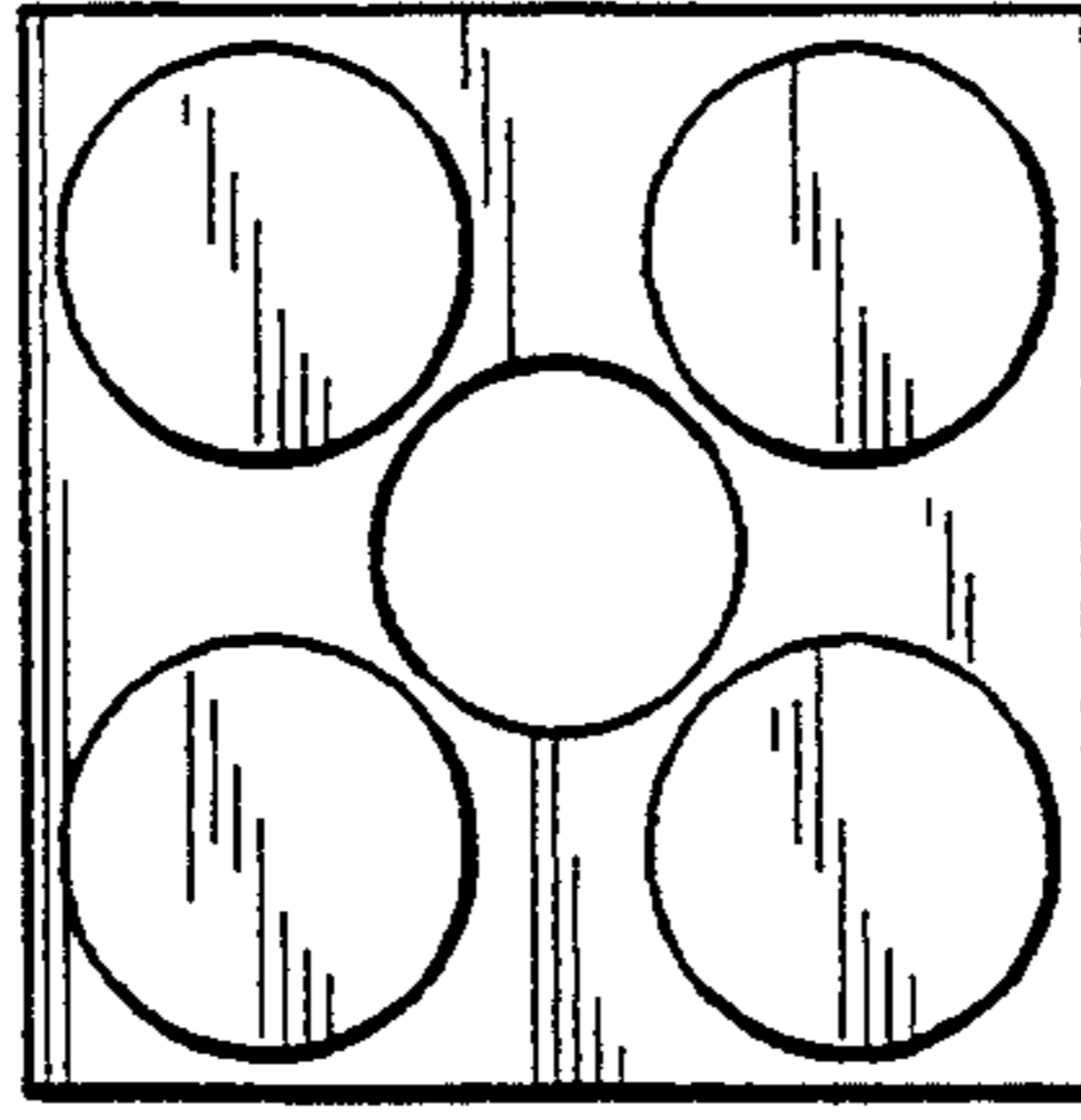


FIG. 1

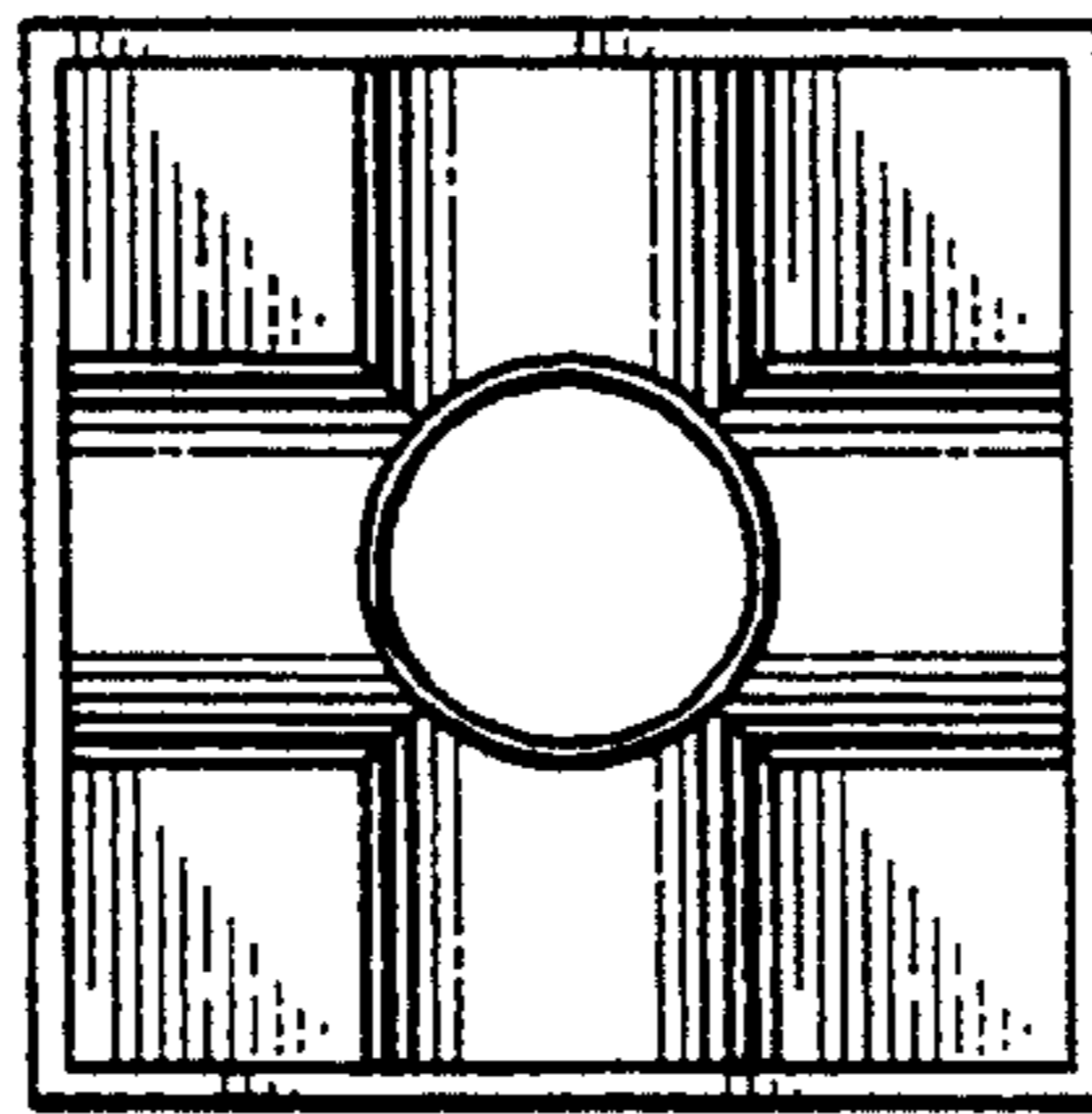


FIG. 2

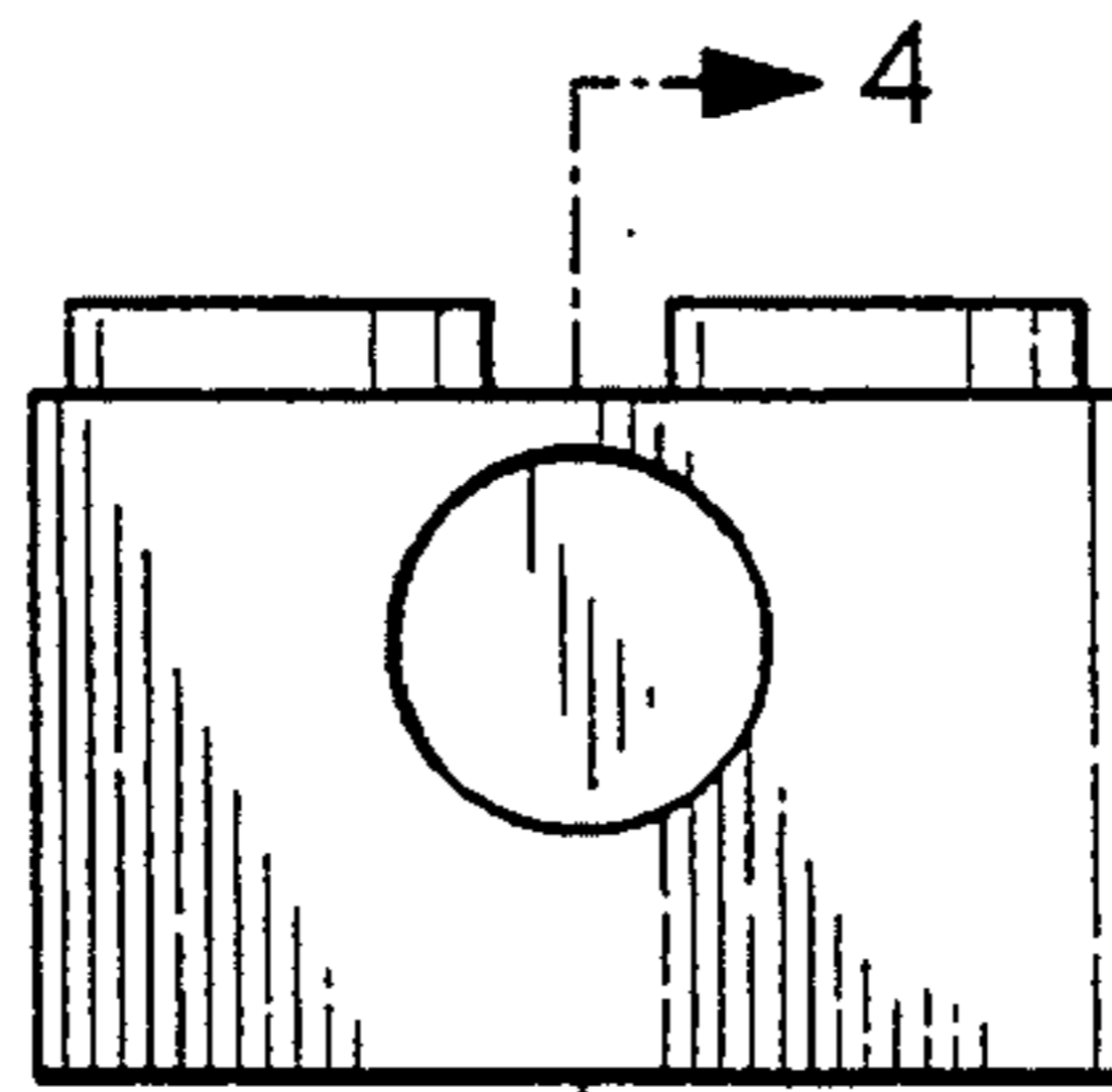


FIG. 3

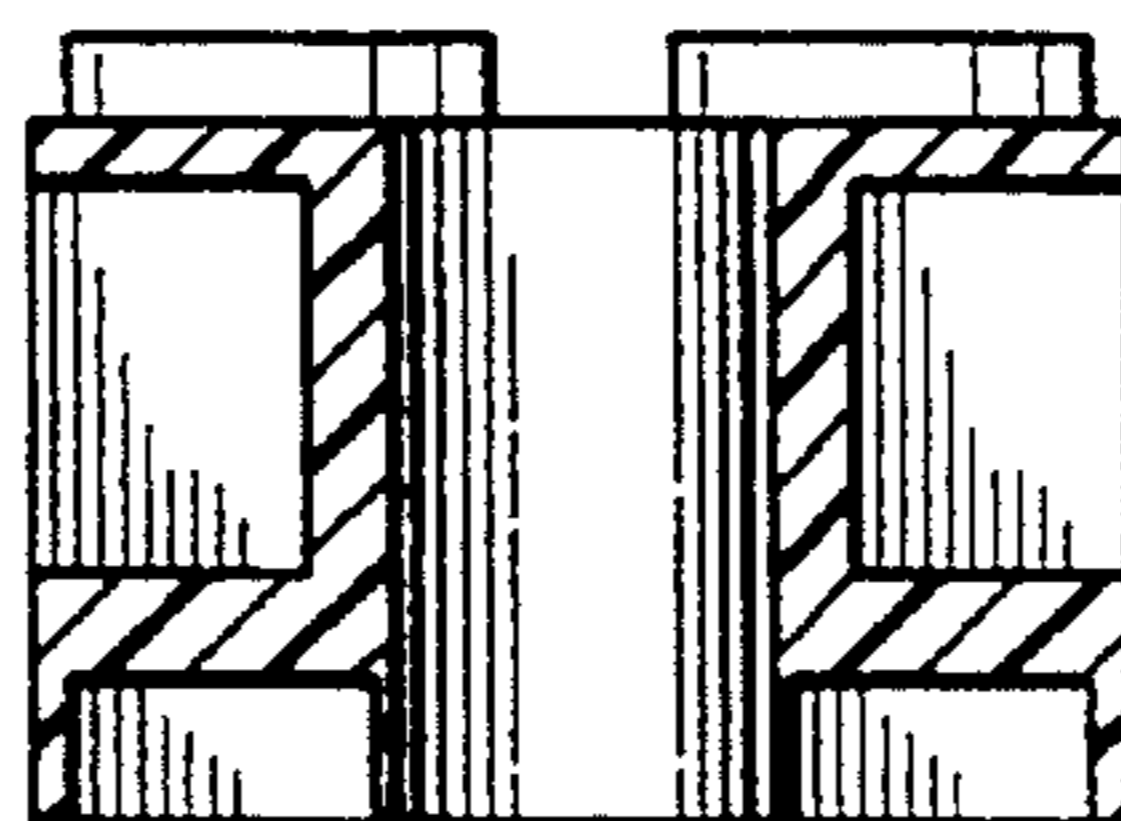


FIG. 4