



US00D353848S

United States Patent [19]

Nonaka et al.

[11] Patent Number: **Des. 353,848**

[45] Date of Patent: **** Dec. 27, 1994**

[54] TOP SPINNER

3,263,362	8/1966	LaFalce	446/259
3,449,859	6/1969	Neilson	446/259
3,594,943	7/1971	Ryan et al.	446/259 X

[76] Inventors: **Tsuyoshi Nonaka; Minoru Sawada**, both of c/o Kabushiki Kaisha Bandai, 5-4, Komagata 2-chome, Taito-ku, Tokyo, Japan

Primary Examiner—Bernard Ansher
Assistant Examiner—Dominic Simone

[**] Term: **14 Years**

[57] **CLAIM**

[21] Appl. No.: **14,454**

The ornamental design for a top spinner, as shown and described.

[22] Filed: **Oct. 22, 1993**

DESCRIPTION

[52] U.S. Cl. **D21/96**

FIG. 1 is a rear perspective view of a top spinner showing our new design;

[58] Field of Search **D21/59, 92, 95, 96; 446/256, 257, 259, 260, 262, 263**

FIG. 2 is a front elevational view;

FIG. 3 is a rear elevational view thereof;

FIG. 4 is a right side elevational view thereof;

FIG. 5 is a left side elevational view thereof;

FIG. 6 is a top view thereof; and,

FIG. 7 is a bottom view thereof.

[56] **References Cited**

U.S. PATENT DOCUMENTS

D. 174,231 3/1955 McBride D21/96

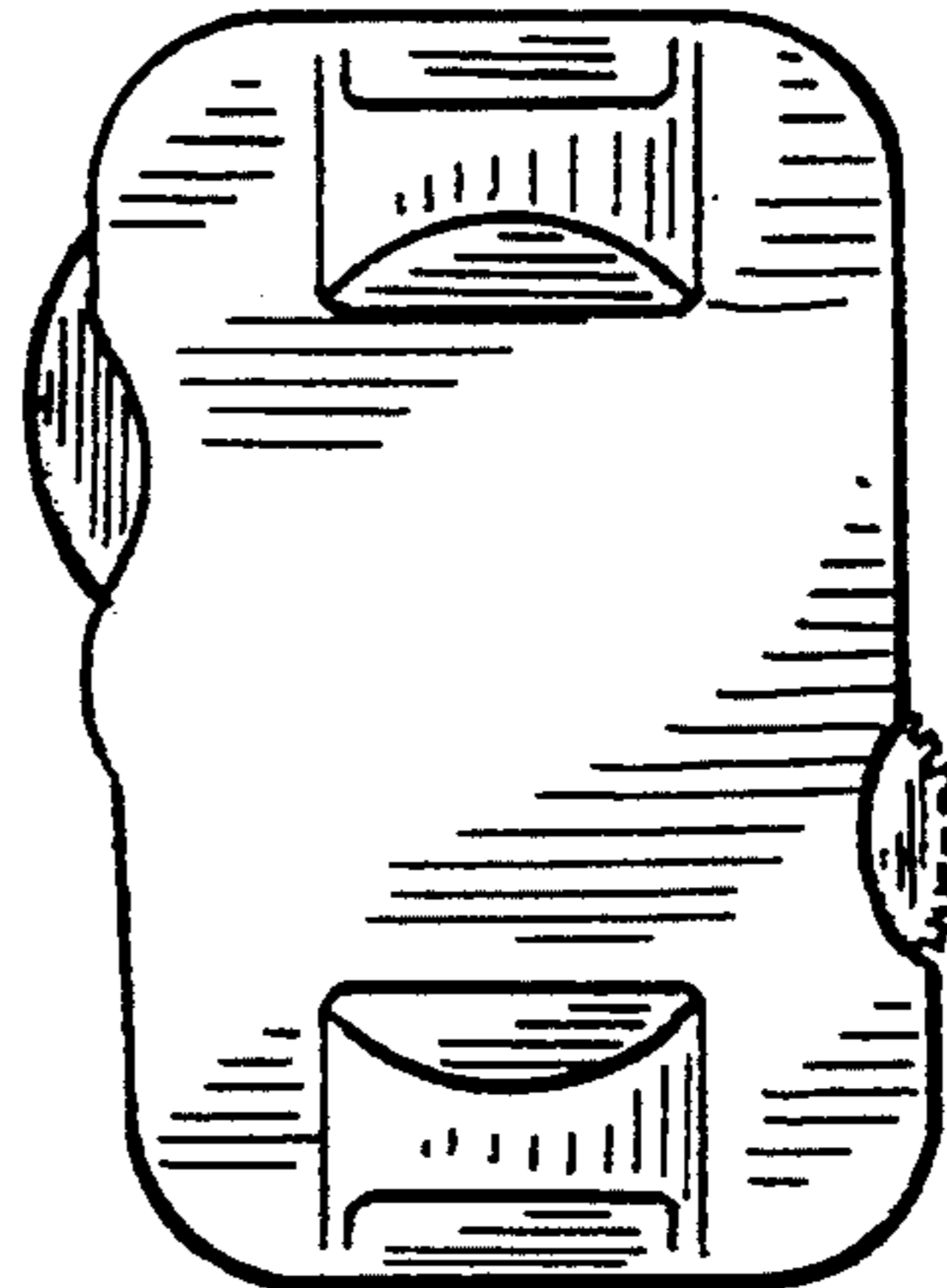
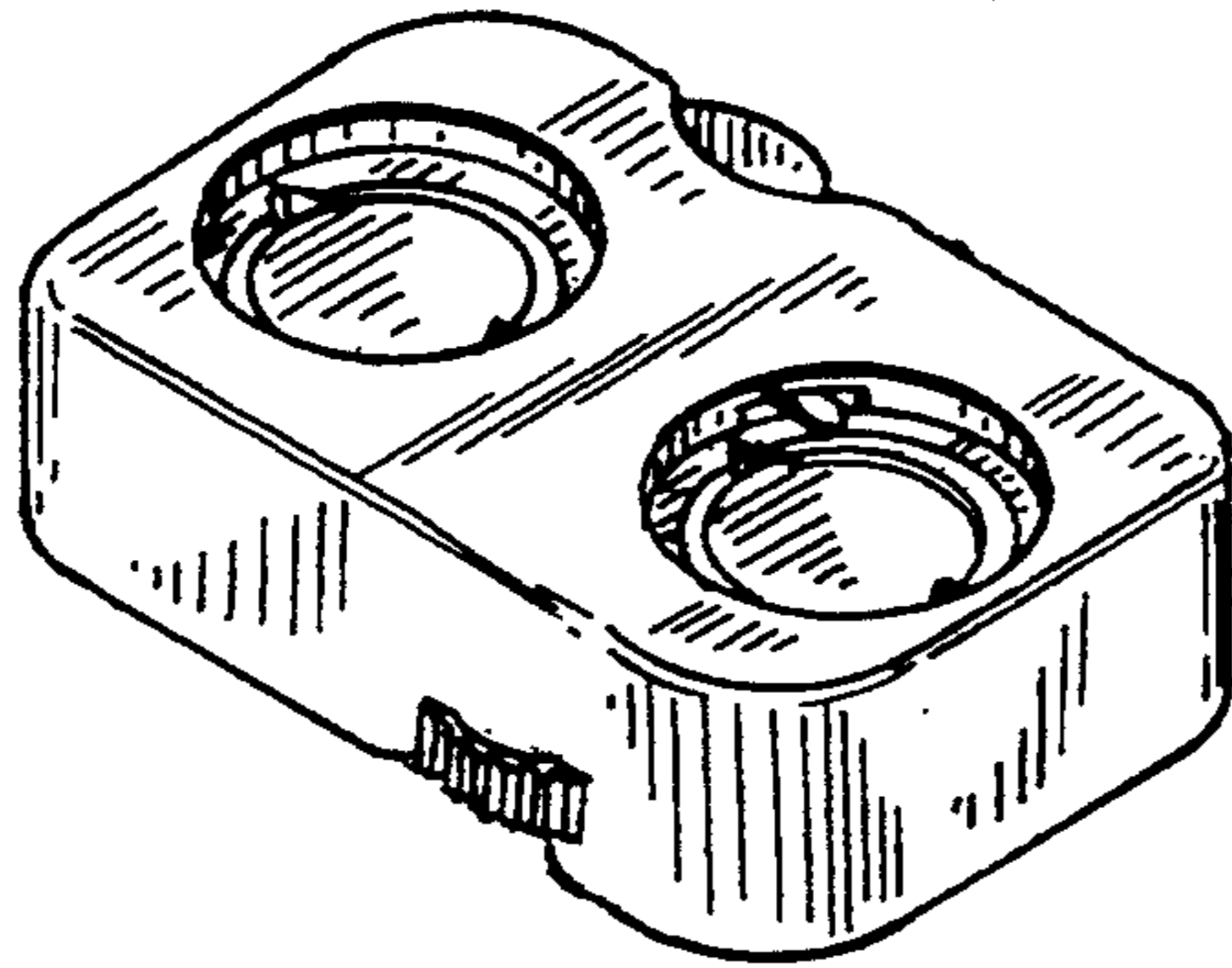


FIG. 1

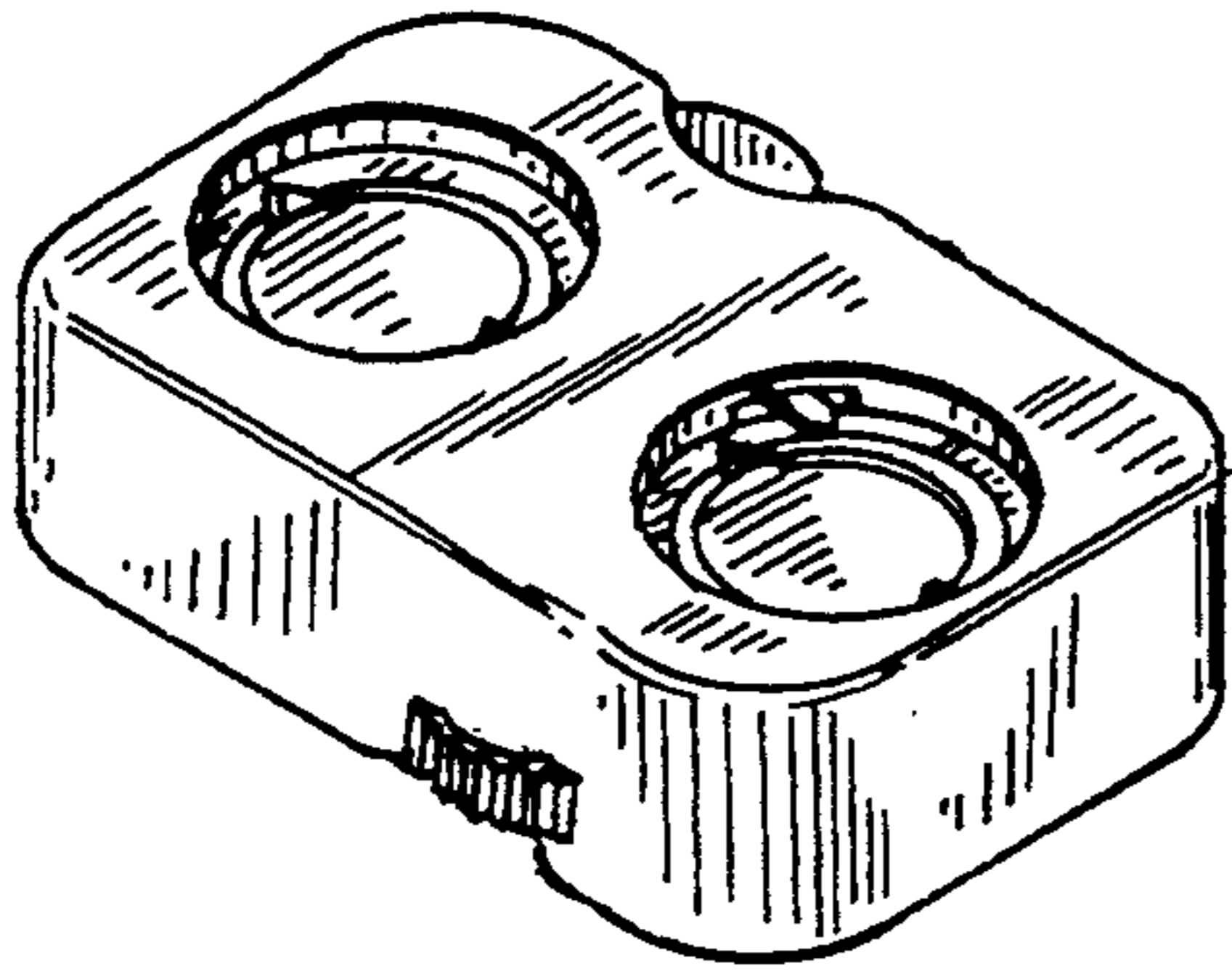


FIG. 2

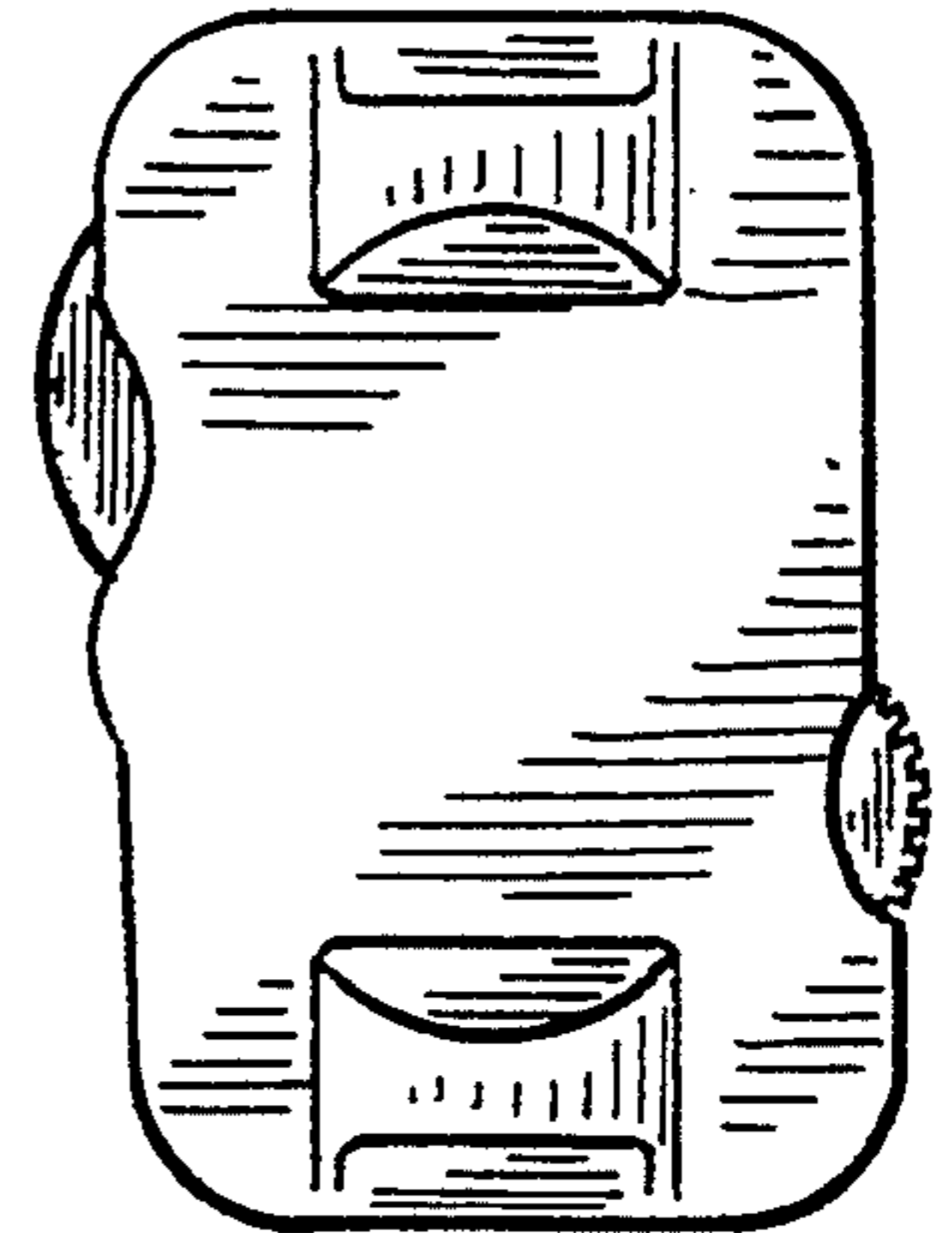


FIG. 3

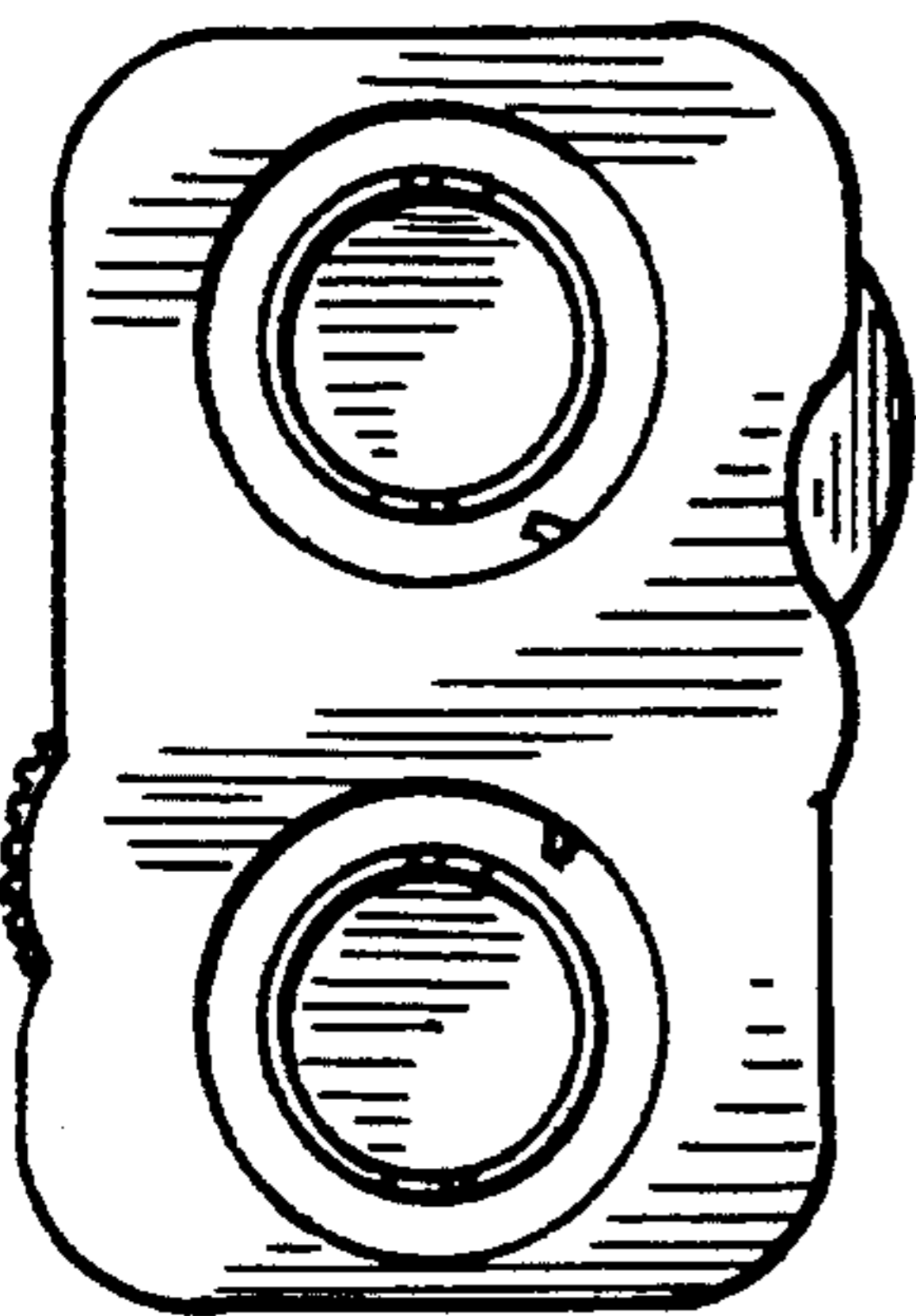


FIG. 4



FIG. 5

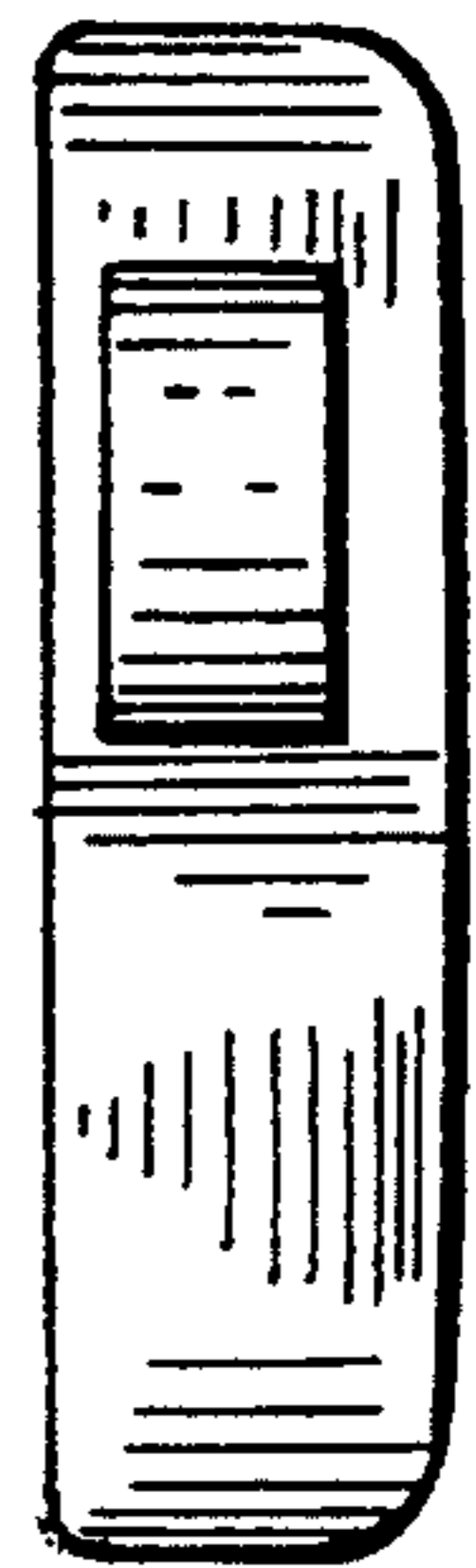


FIG. 6



FIG. 7

