



US00D353846S

United States Patent [19]

[11] **Patent Number: Des. 353,846**

Kino

[45] **Date of Patent: ** Dec. 27, 1994**

[54] **SAXOPHONE CHIME**

[75] **Inventor: Moriya Kino, Yokohama, Japan**

[73] **Assignee: Royal Company Ltd., Japan**

[**] **Term: 14 Years**

[21] **Appl. No.: 8,585**

[22] **Filed: May 19, 1993**

[52] **U.S. Cl. D21/64; D17/10**

[58] **Field of Search D21/59, 64; D17/10, D17/11; 446/397, 408, 416; 84/387 R, 388**

[56] **References Cited**

U.S. PATENT DOCUMENTS

D. 273,210	3/1984	Nakao et al.	D21/64
D. 320,997	10/1991	Katsuhara	D17/10
1,759,953	5/1930	Myers	446/408
3,136,200	6/1964	Leblanc	D17/10 X

OTHER PUBLICATIONS

Combi Co., Ltd. catalogue, 1992, p. 43.

Primary Examiner—Melvin B. Feifer

Assistant Examiner—Dominic Simone

Attorney, Agent, or Firm—Ostrolenk, Faber, Gerb & Soffen

[57] **CLAIM**

The ornamental design for a saxophone chime, as shown and described.

DESCRIPTION

FIG. 1 is a top plan view of a saxophone chime embodying my new design;
 FIG. 2 is a front elevational view thereof;
 FIG. 3 is a left-hand side elevational view thereof;
 FIG. 4 is a bottom plan view thereof;
 FIG. 5 is a right-hand side elevational view thereof;
 FIG. 6 is a rear elevational view thereof; and,
 FIG. 7 is a cross-sectional view taken along a line VII-VII in FIG. 6, of the saxophone chime with sound generating means being omitted.

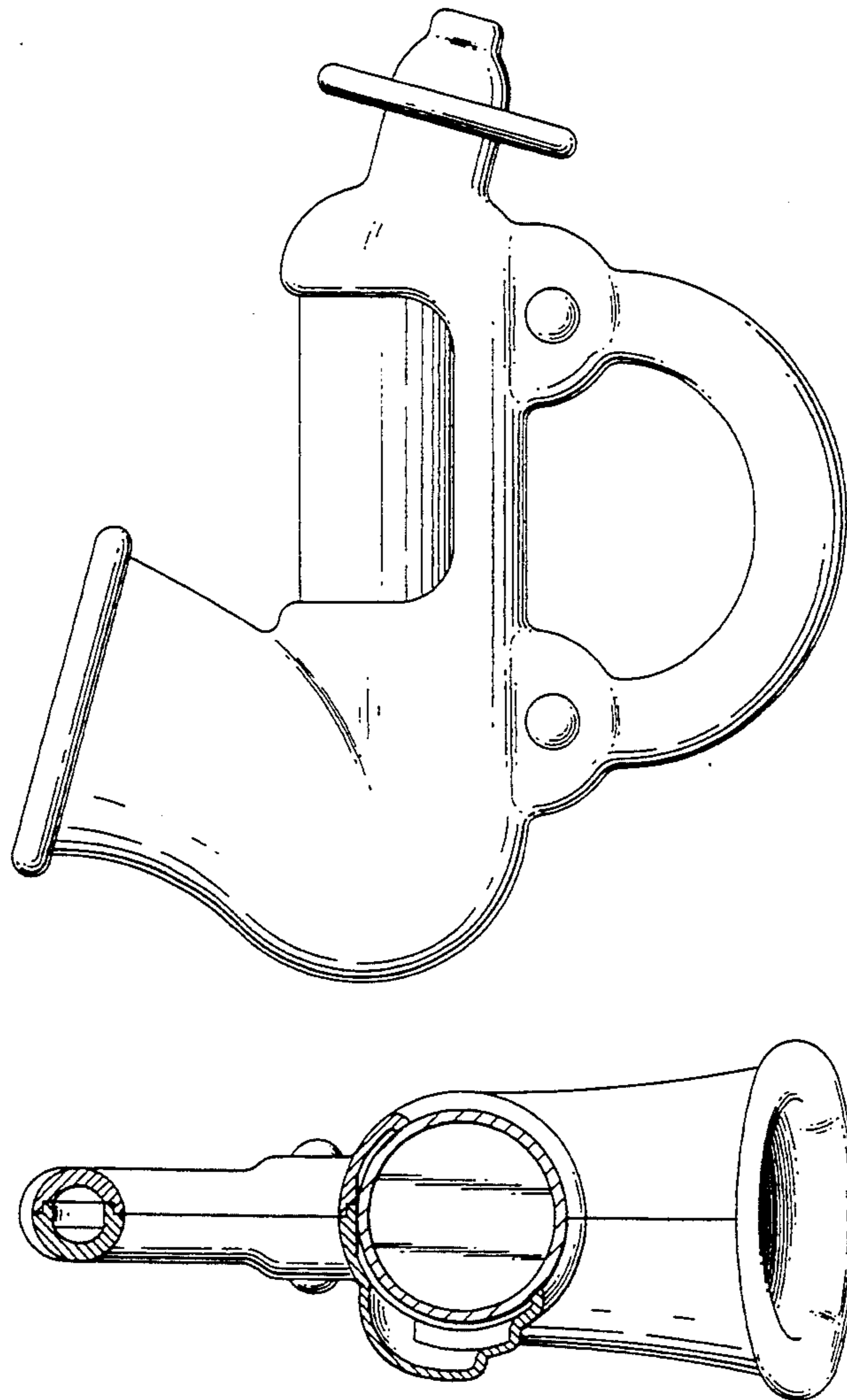


Fig. 1

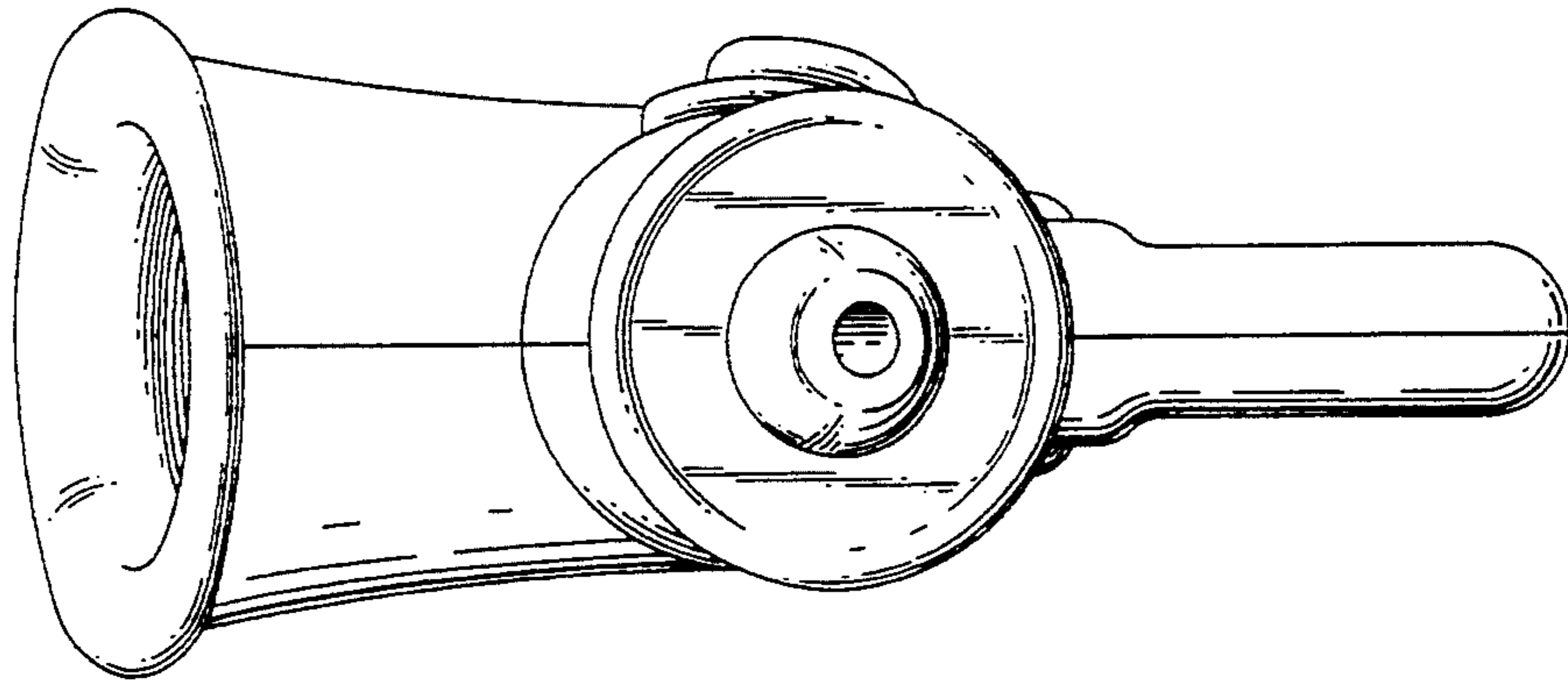


Fig. 2

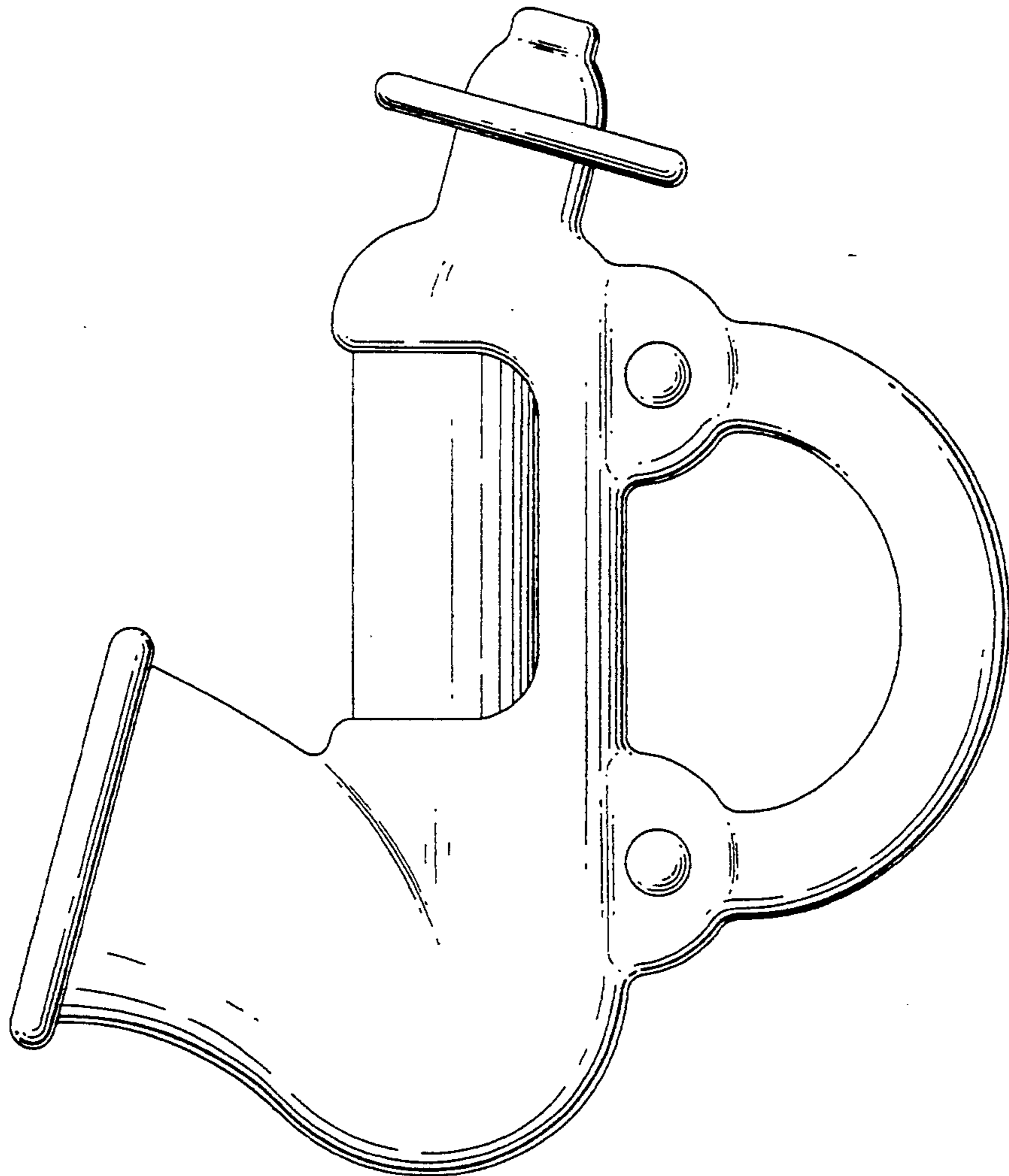


Fig. 3

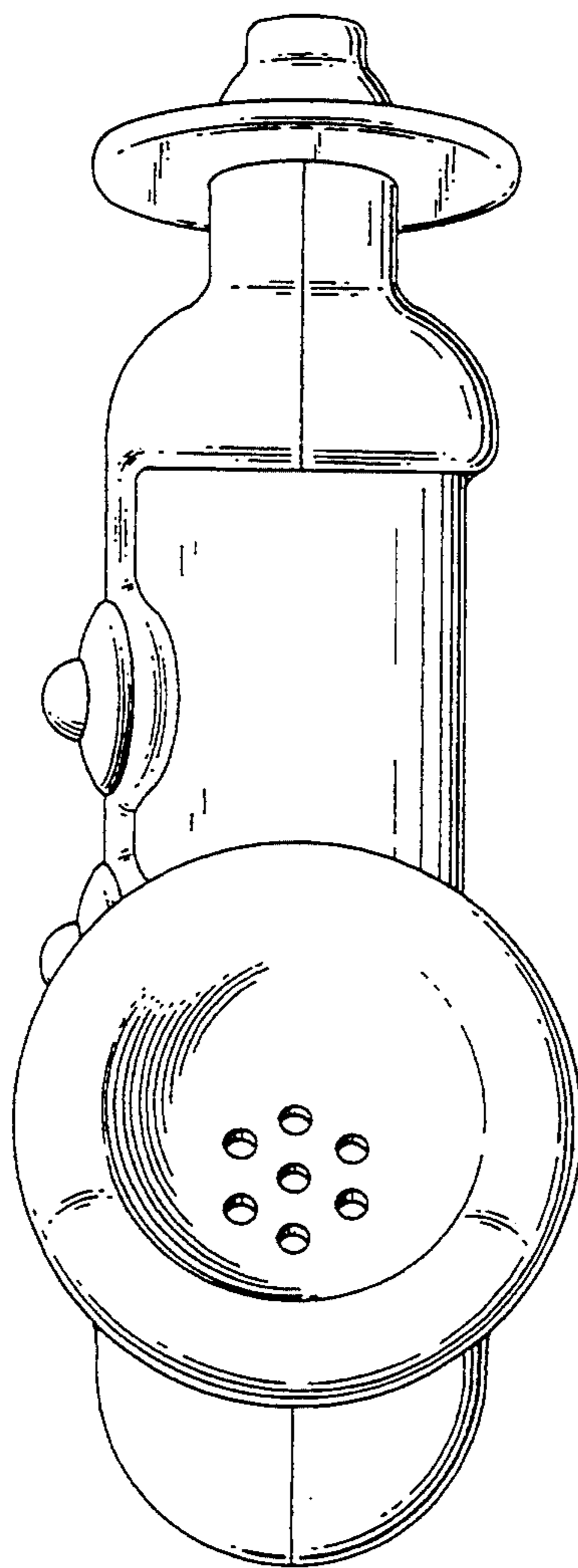


Fig. 4

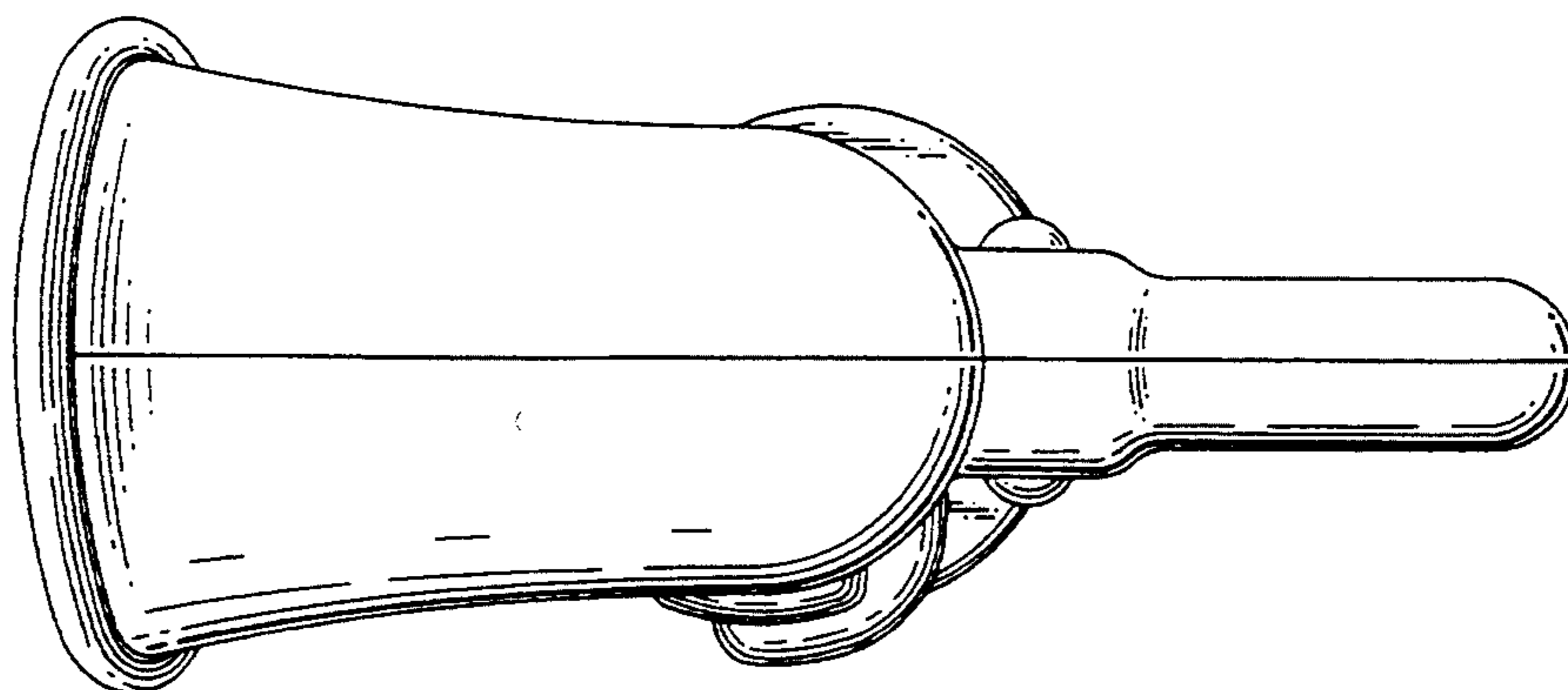


Fig. 5

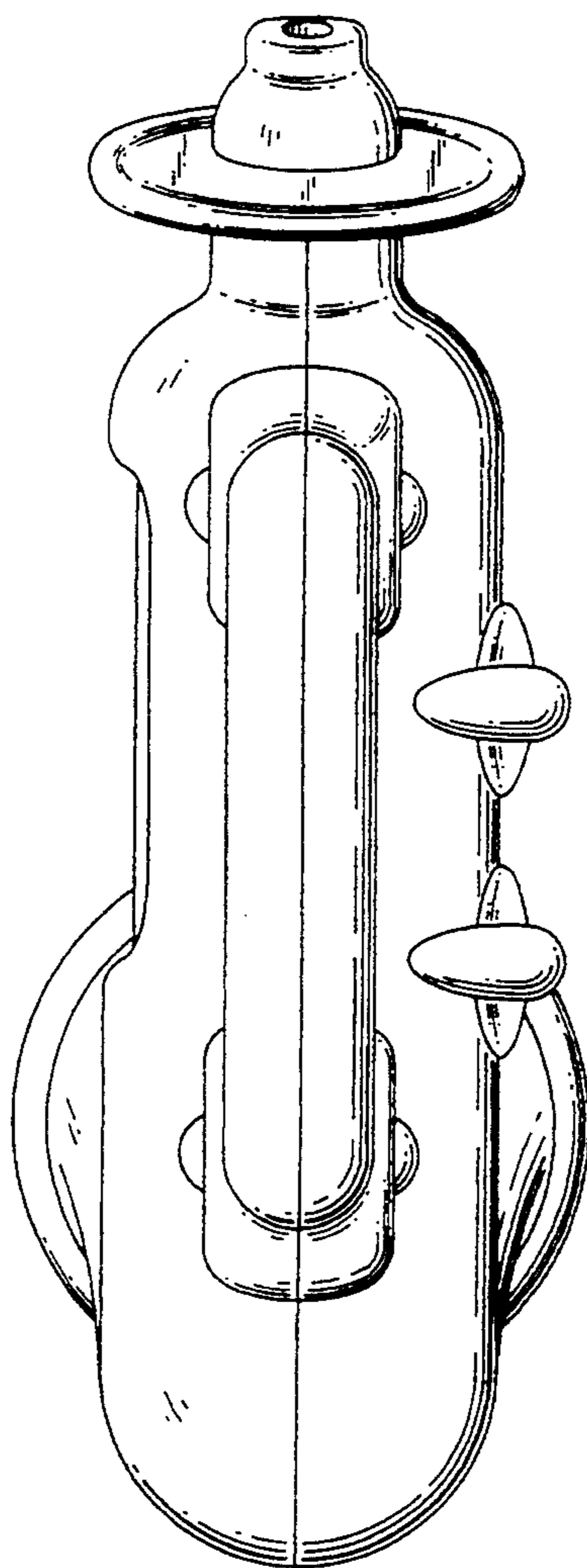


Fig. 6

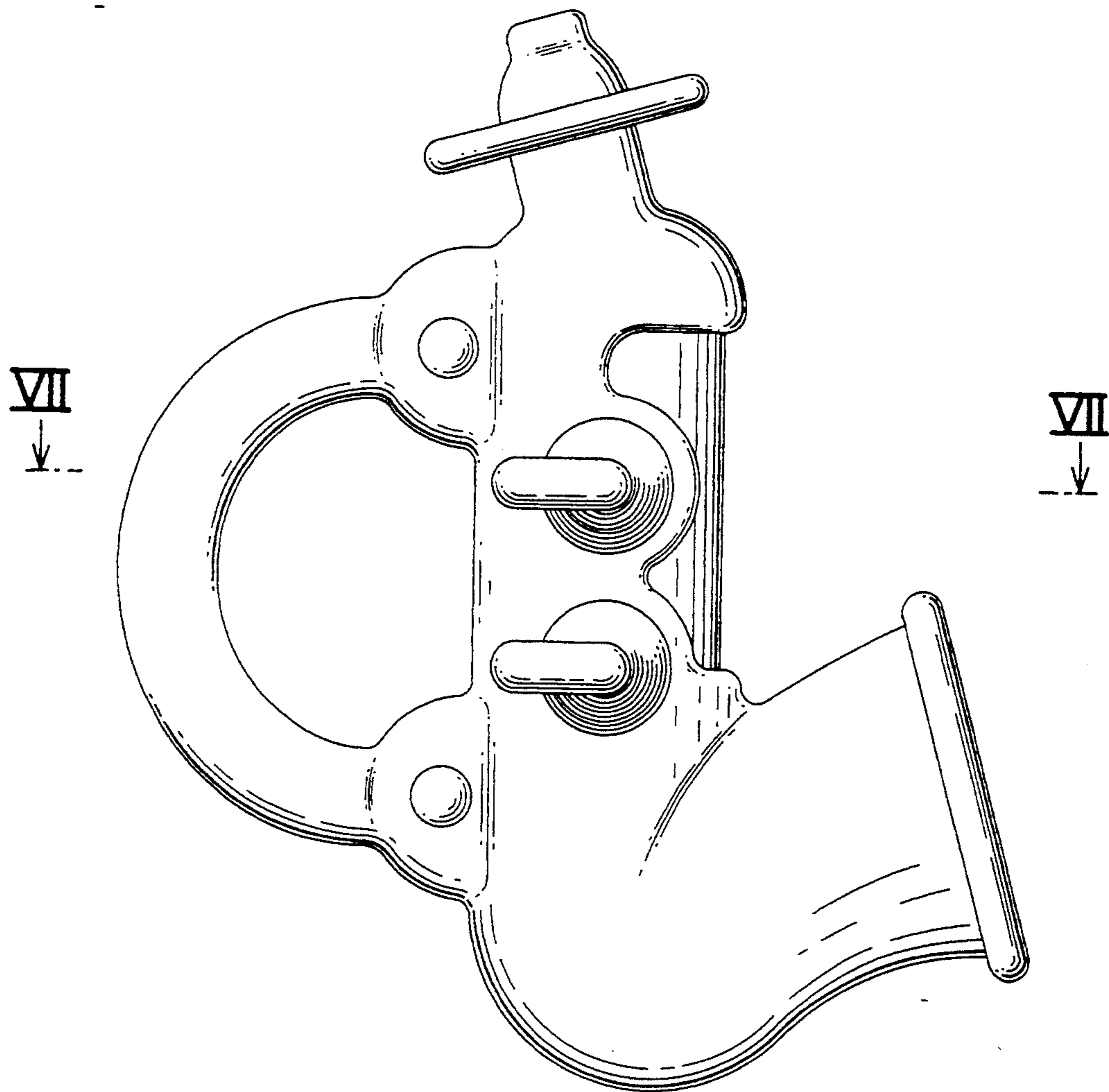


Fig. 7

