



US00D353845S

United States Patent [19]

[11] Patent Number: **Des. 353,845**

Kino

[45] Date of Patent: **** Dec. 27, 1994**

[54] BUGLE CHIME

[75] Inventor: **Moriya Kino, Yokohama, Japan**

[73] Assignee: **Royal Compnay Ltd., Japan**

[**] Term: **14 Years**

[21] Appl. No.: **8,582**

[22] Filed: **May 19, 1993**

[52] U.S. Cl. **D21/64**

[58] Field of Search **D21/59, 64; D17/10, D17/11; 446/397, 408, 416; 84/387 R, 388**

[56] References Cited

U.S. PATENT DOCUMENTS

D. 115,512	7/1939	Barber	D17/10
D. 165,946	2/1952	Thompson	D17/10 X
D. 273,210	3/1984	Nakao et al.	D21/64
D. 321,730	11/1991	McElhaney	D21/64
3,733,741	5/1973	Pysa	446/408

OTHER PUBLICATIONS

Royal Co., Ltd. catalogue, 1991, Product Nos. 3003, 3022 and 3201, pp. 4-5.

Primary Examiner—Melvin B. Feifer
Assistant Examiner—Dominic Simone
Attorney, Agent, or Firm—Ostrolenk, Faber, Gerb & Soffen

[57] CLAIM

The ornamental design for a bugle chime, as shown and described.

DESCRIPTION

FIG. 1 is a top plan view of a bugle chime embodying my new design;
FIG. 2 is a front elevational view thereof; the rear elevational view being a mirror image;
FIG. 3 is a left-hand side elevational view thereof;
FIG. 4 is a right-hand side elevational view thereof;
FIG. 5 is a bottom plan view thereof; and,
FIG. 6 is a cross-sectional view taken along a line VI—VI in FIG. 2, of the bugle chime with sound generating means being omitted.

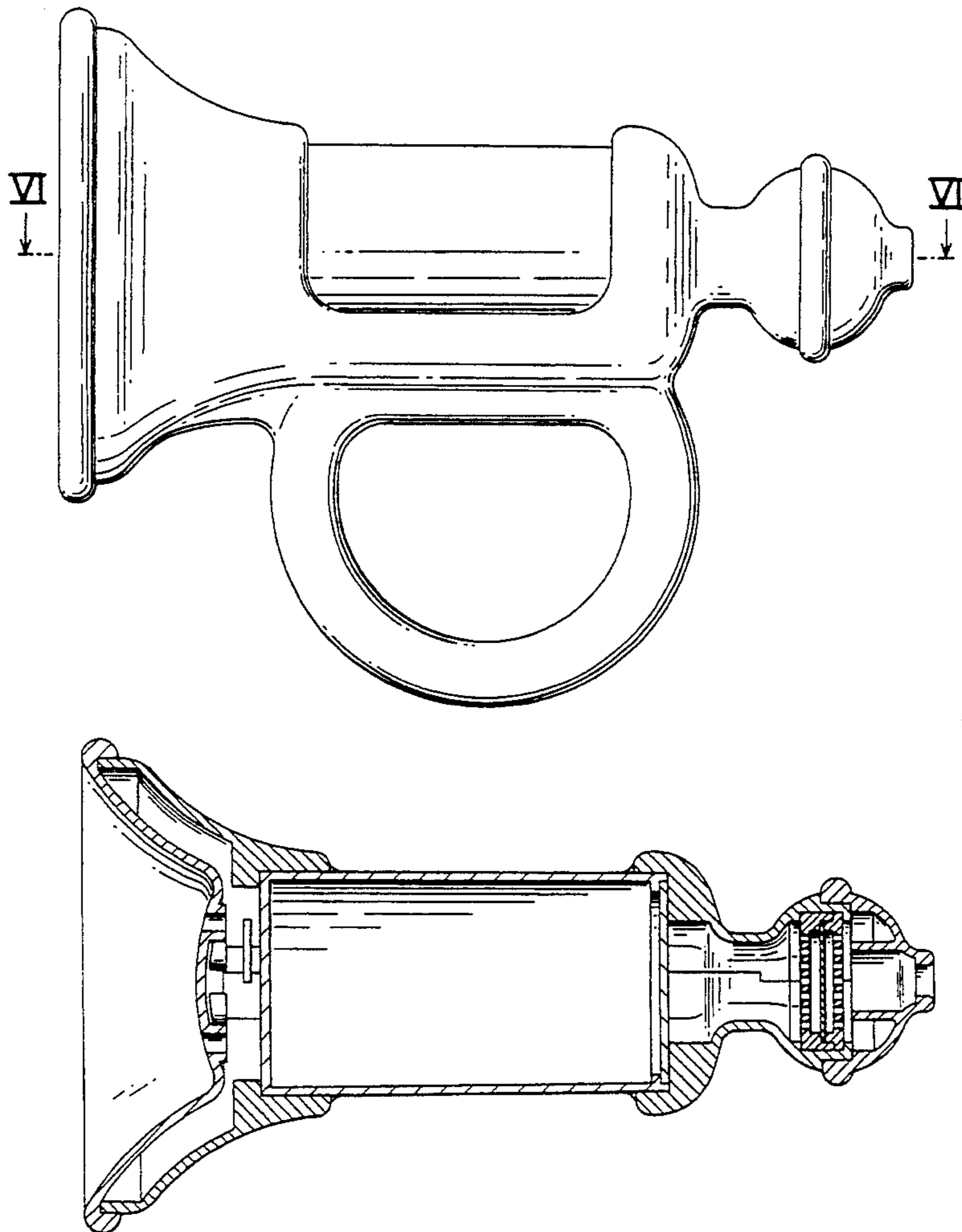


Fig. 1

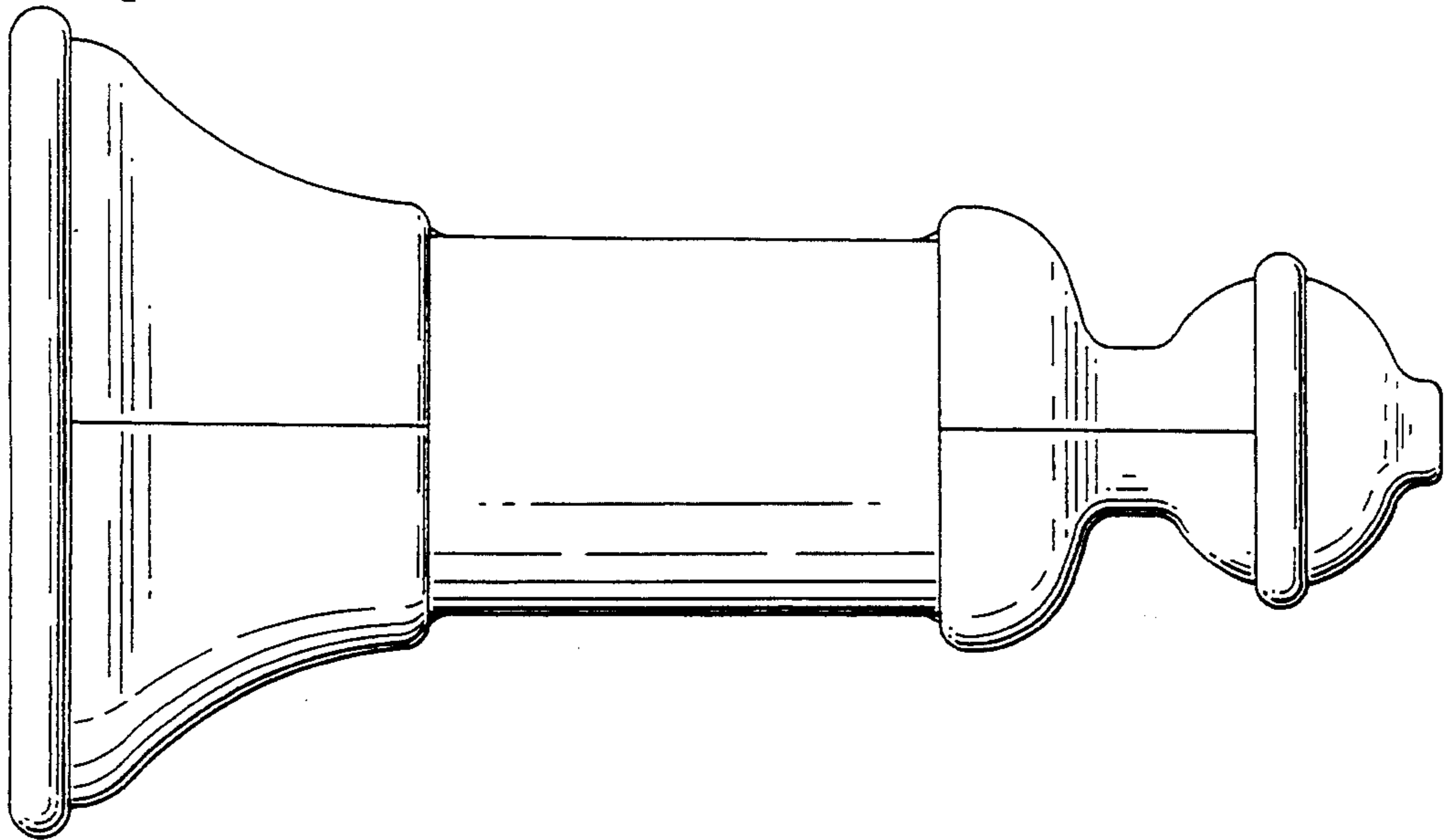


Fig. 2

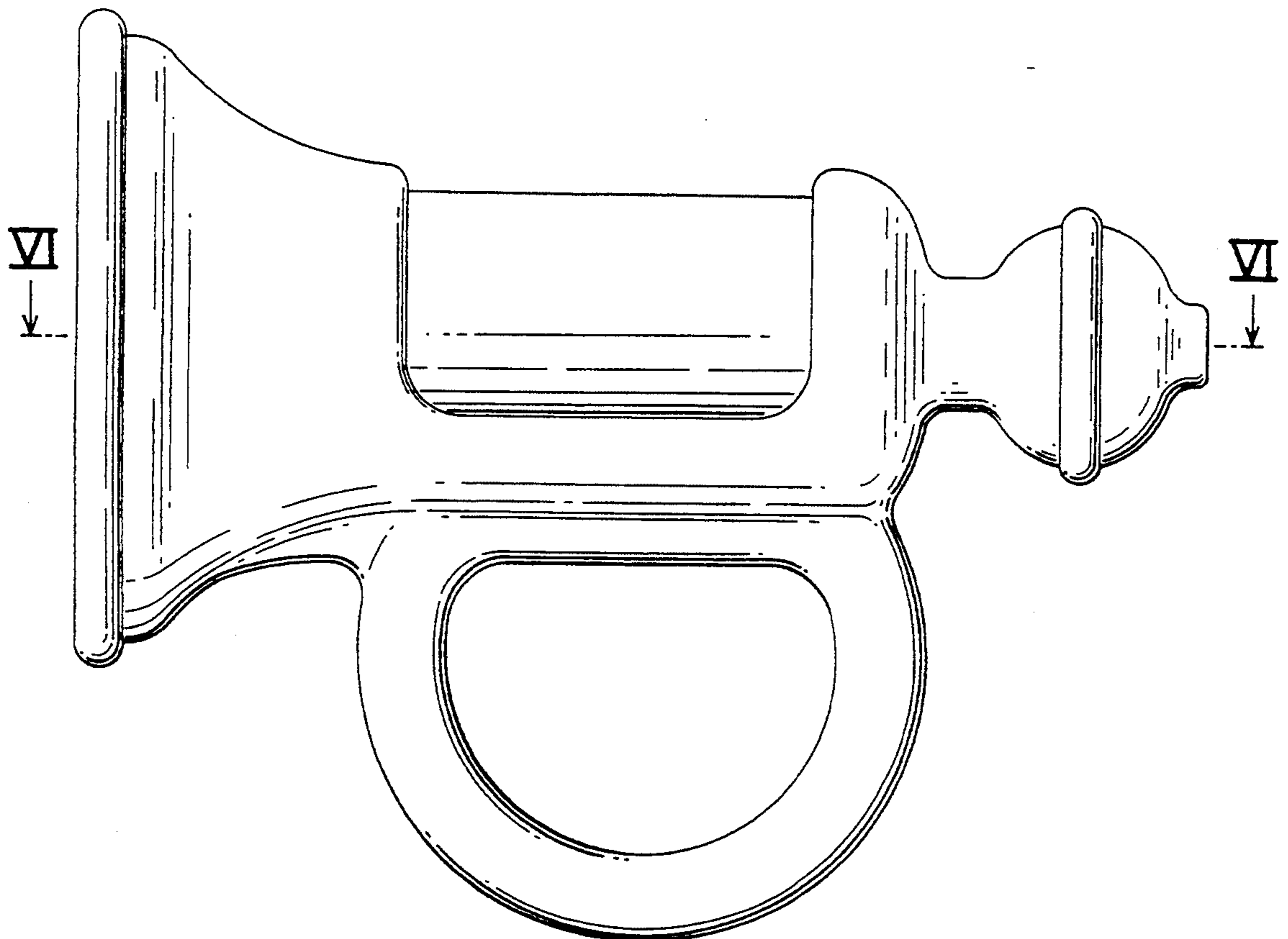


Fig. 3

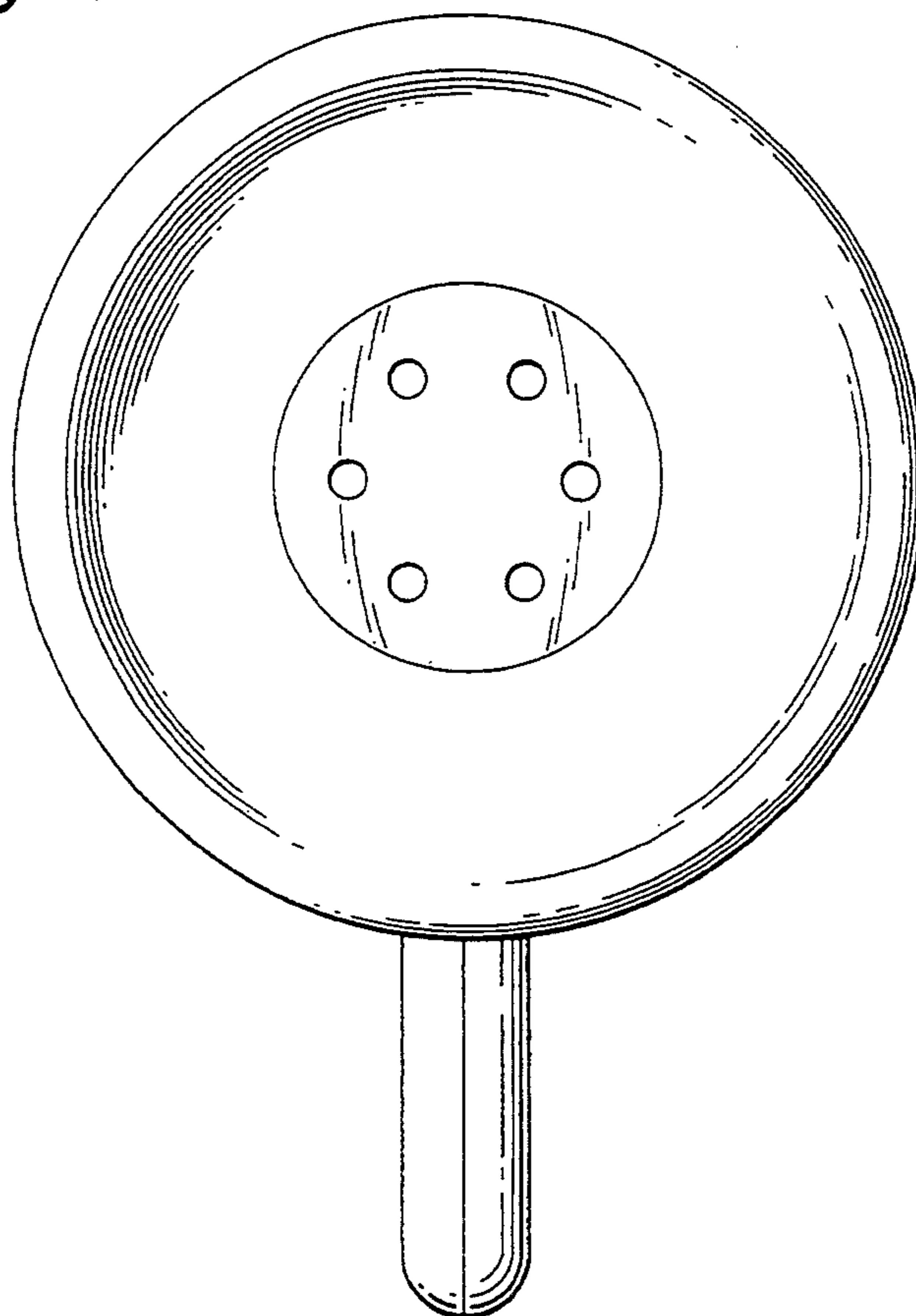


Fig. 4

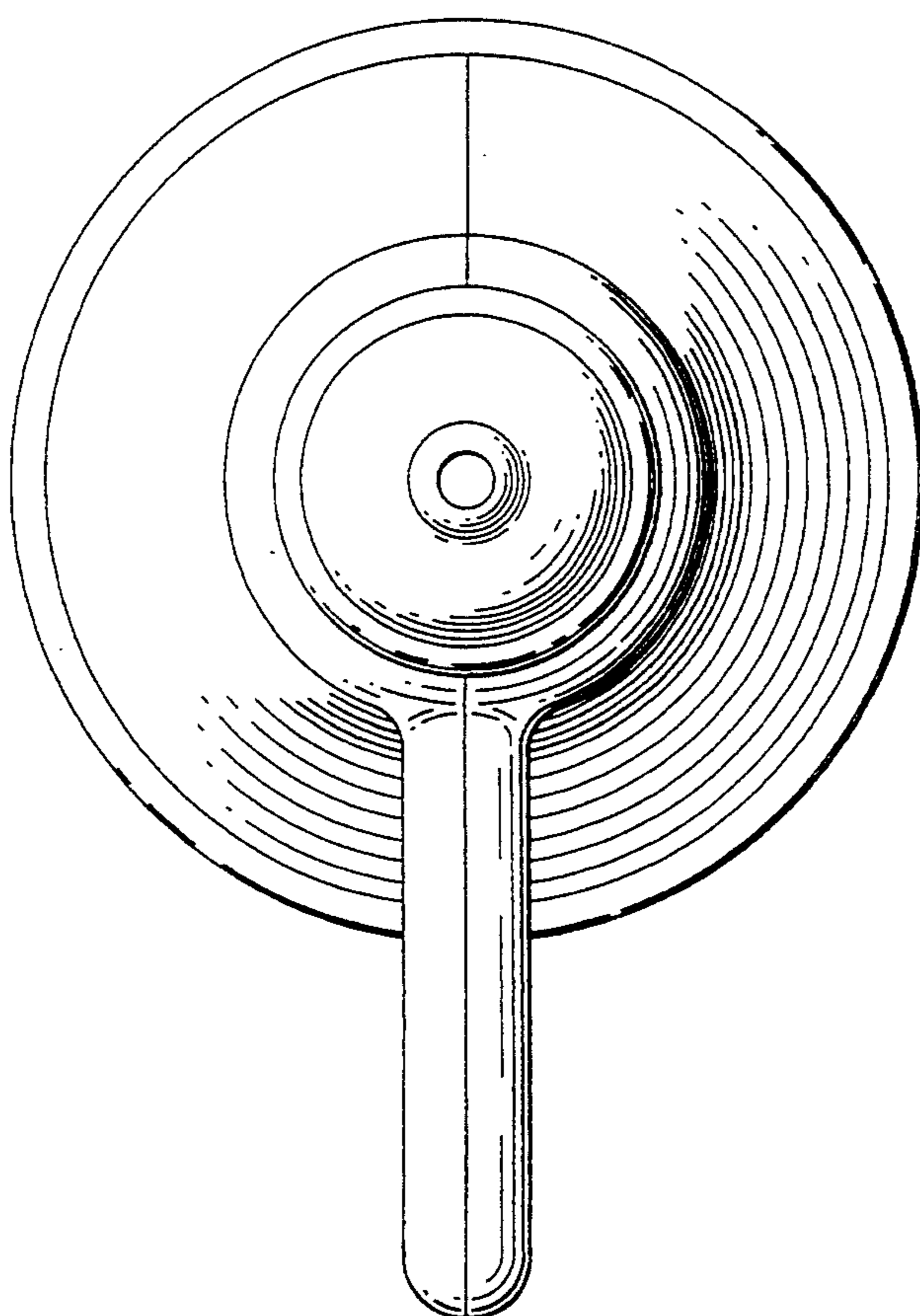


Fig. 5

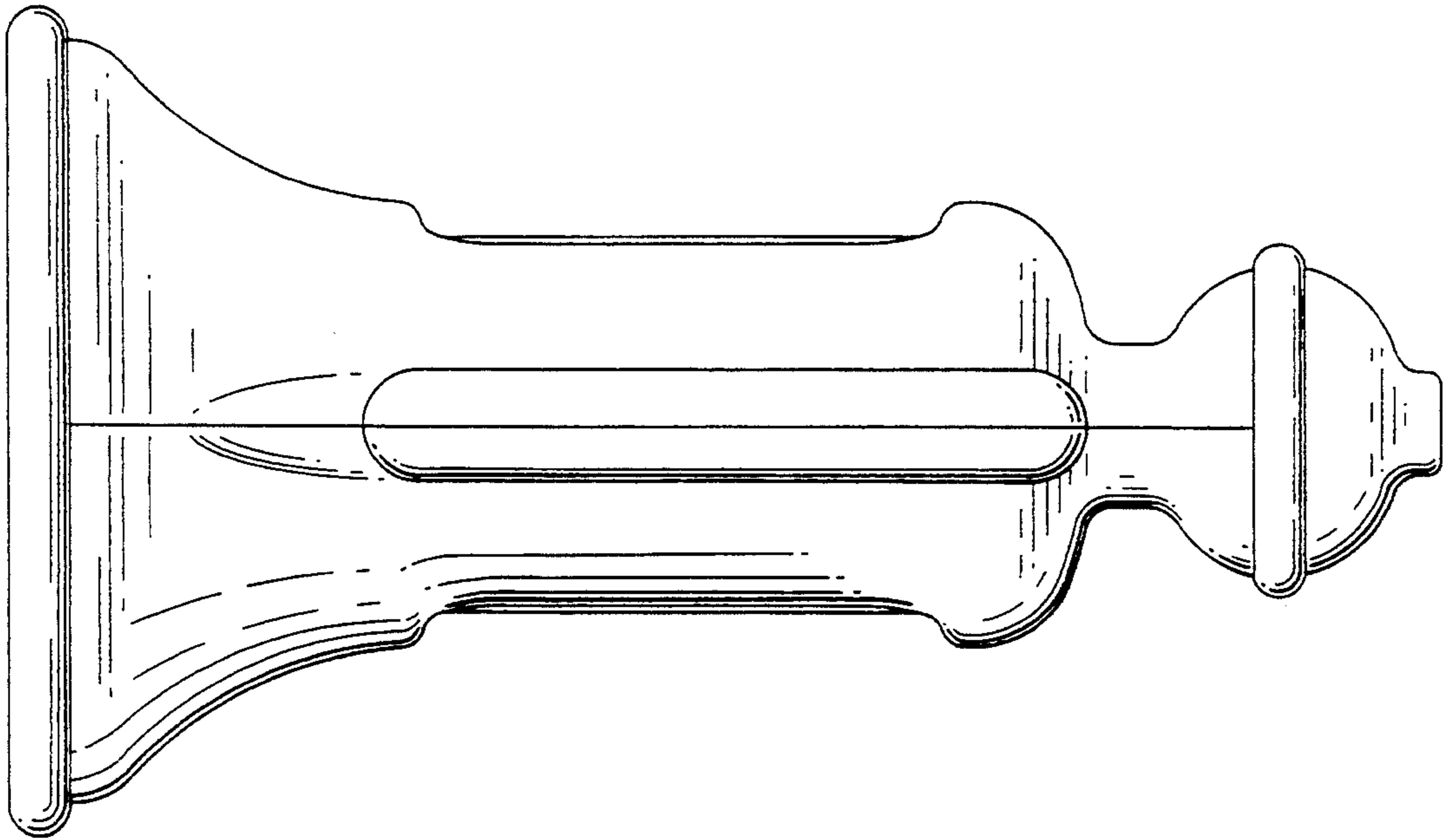


Fig. 6

