



US00D353844S

# United States Patent [19]

[11] Patent Number: **Des. 353,844**

**Chiang**

[45] Date of Patent: **\*\* Dec. 27, 1994**

[54] TOY

D. 303,685 9/1989 Vafiadis ..... D21/59

[75] Inventor: **Chuan T. Chiang, Kowloon, Hong Kong**

D. 344,105 2/1994 Offutt ..... D21/59

5,154,658 10/1992 Marcus ..... 446/411

[73] Assignee: **Zei Hong Manufacturing Co. Ltd., Kowloon, Hong Kong**

*Primary Examiner*—Melvin B. Feifer

*Assistant Examiner*—Dominic Simone

*Attorney, Agent, or Firm*—Ostrager, Chong & Flaherty

[\*\*] Term: **14 Years**

### [57] CLAIM

[21] Appl. No.: **9,189**

The ornamental design for a toy, as shown and described.

[22] Filed: **Jun. 7, 1993**

### DESCRIPTION

[52] U.S. Cl. .... **D21/148; D21/148**

[58] Field of Search ..... **D21/59, 64, 148, 150, D21/185; 446/411-413, 450-453**

FIG. 1 is a front elevational view of a toy showing my new design;

FIG. 2 is a rear elevational view thereof;

FIG. 3 is a left side elevational view thereof;

FIG. 4 is a right side elevational view thereof;

FIG. 5 is a top plan view thereof;

FIG. 6 is a bottom plan view thereof; and,

FIG. 7 is a perspective view thereof.

[56]

### References Cited

#### U.S. PATENT DOCUMENTS

D. 278,736 5/1985 Klawitter ..... D21/185

D. 302,186 7/1989 Klawitter ..... D21/59

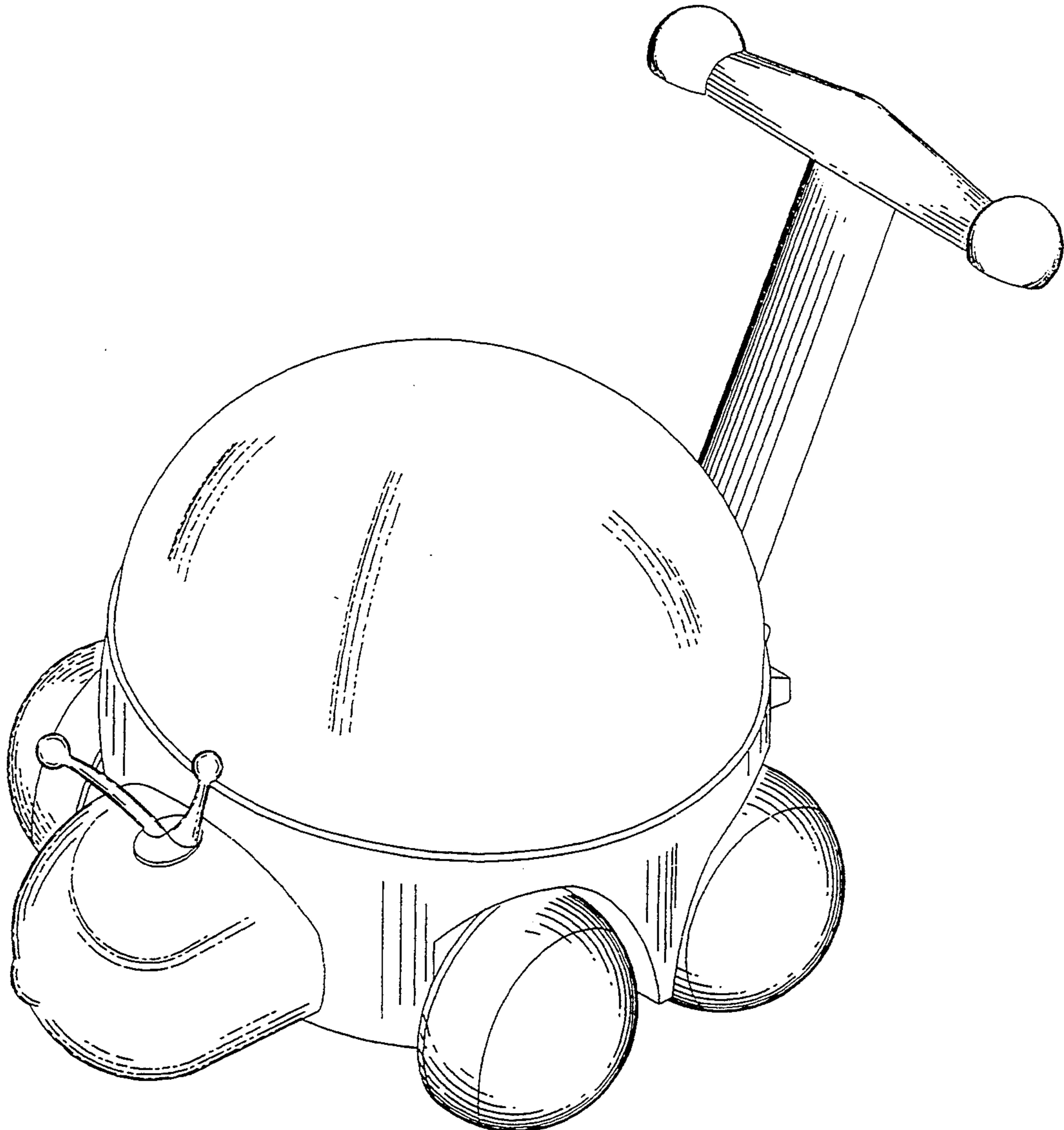


FIG. 1

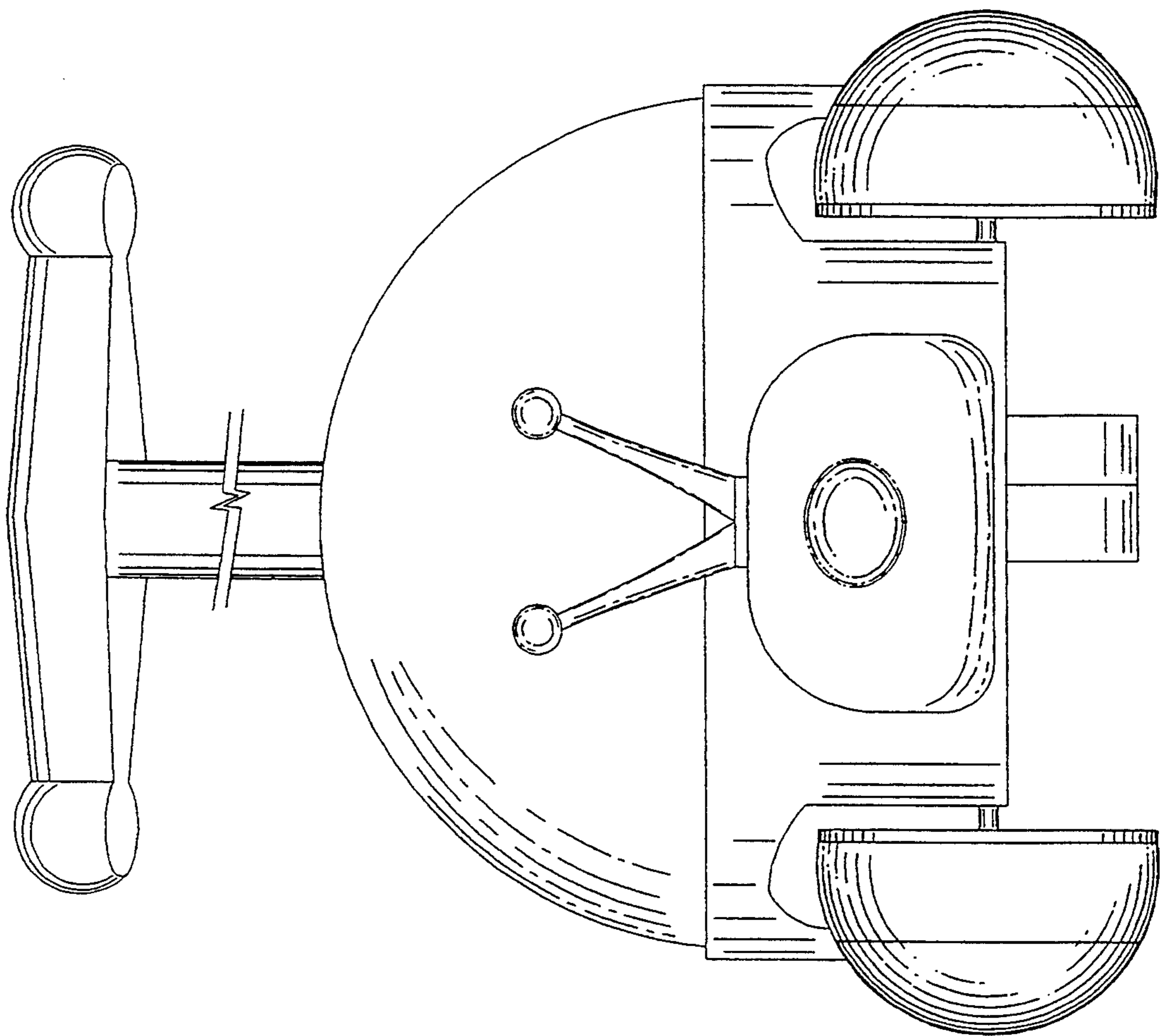


FIG. 2

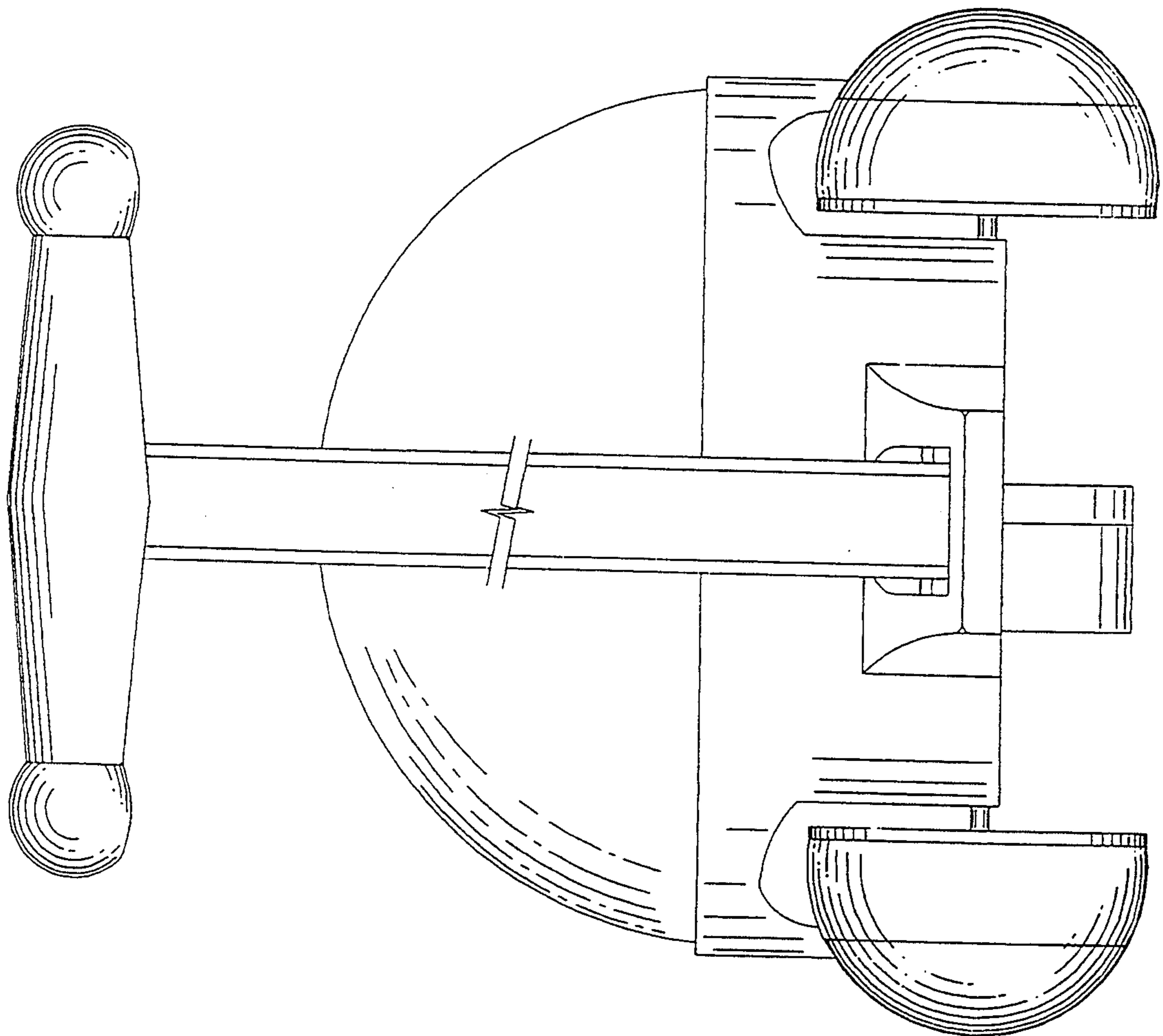


FIG. 3

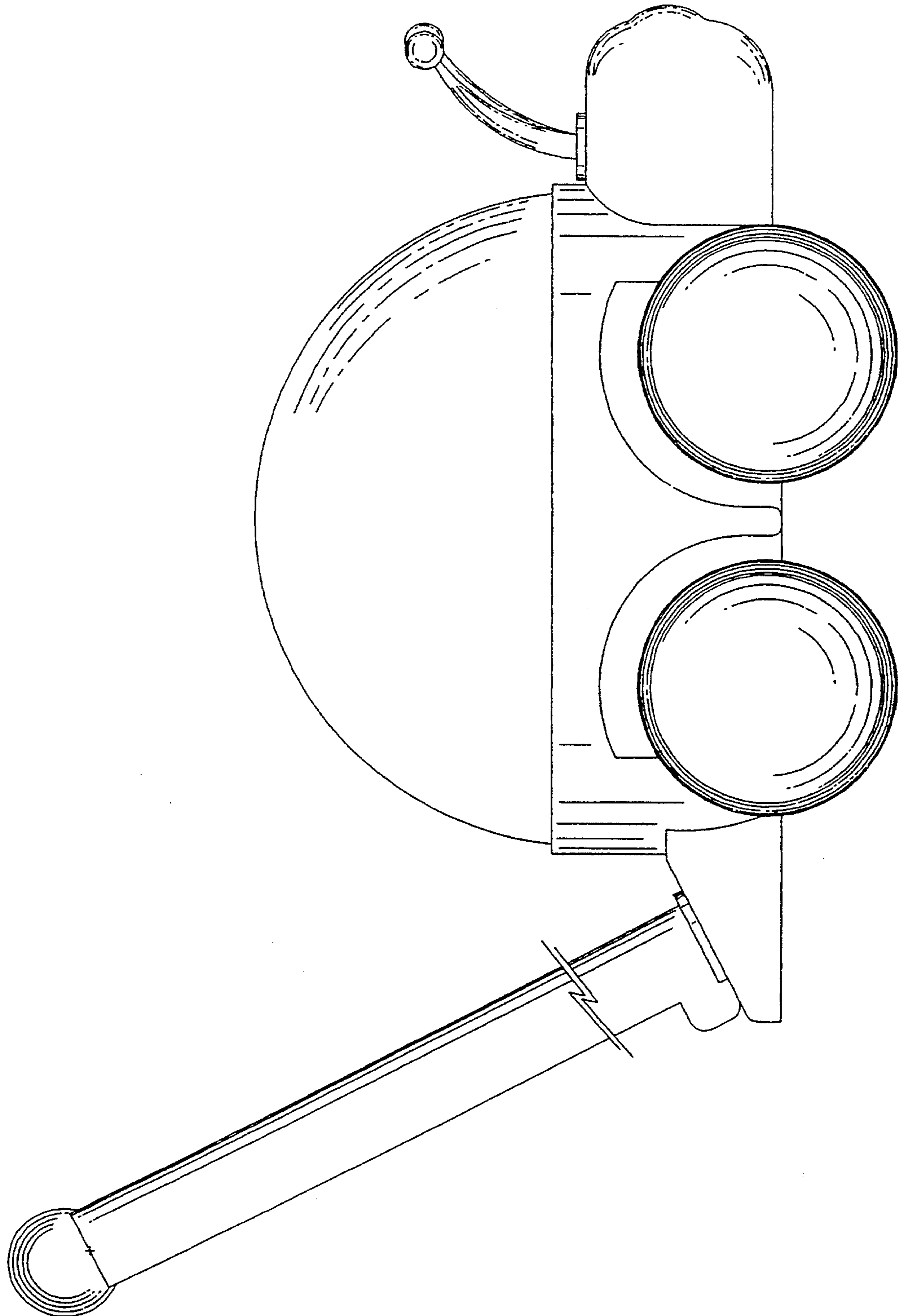
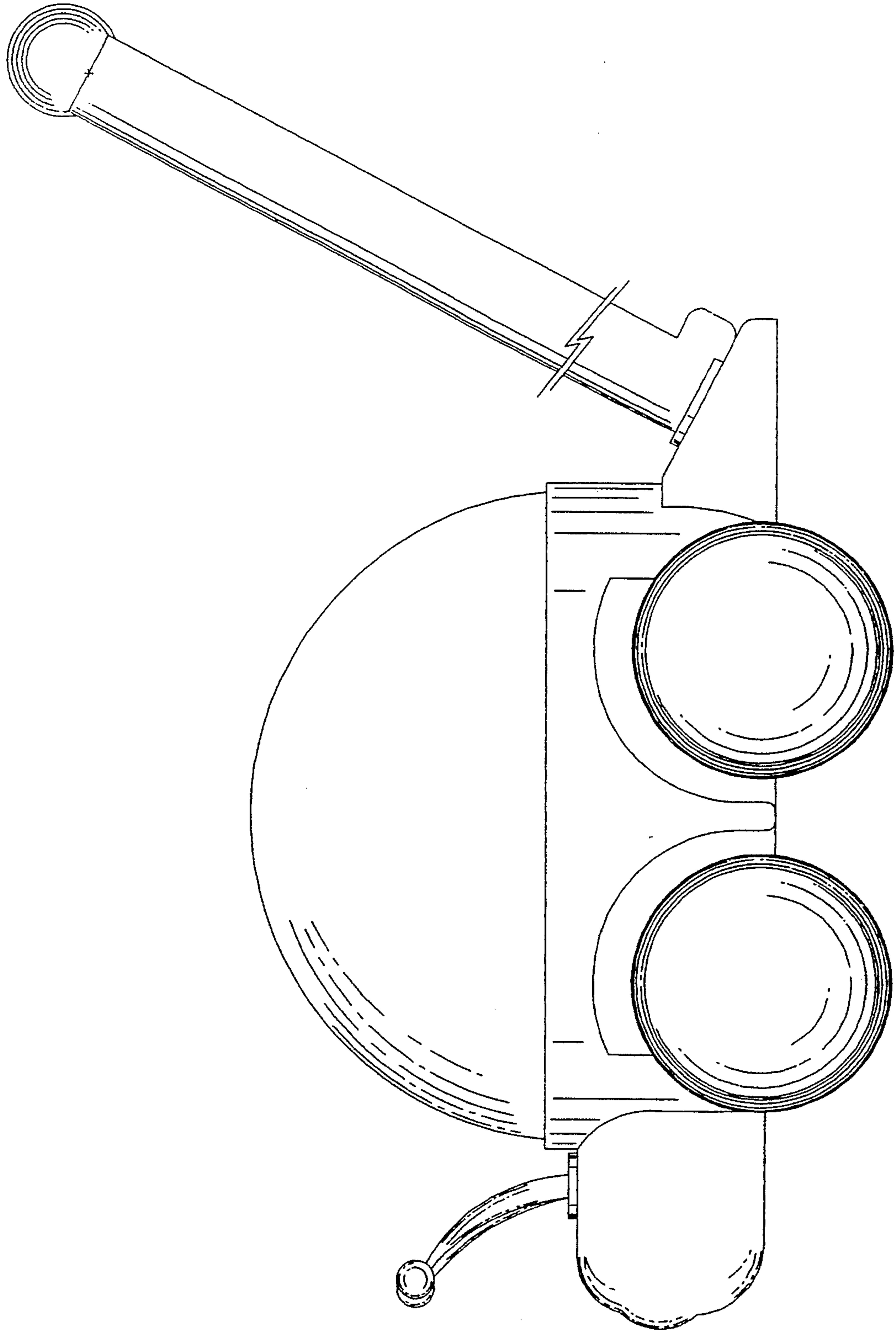


FIG. 4



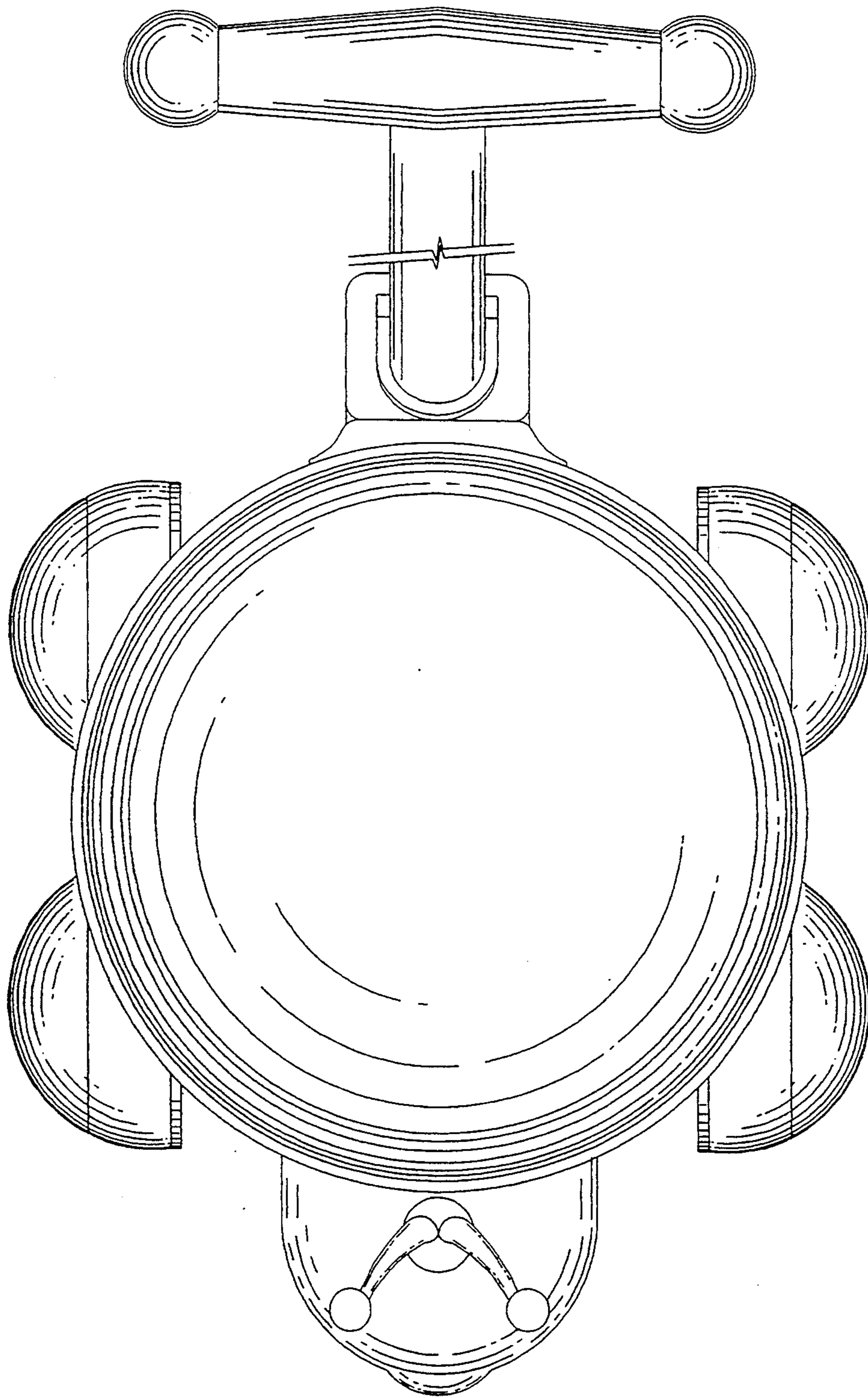


FIG. 5

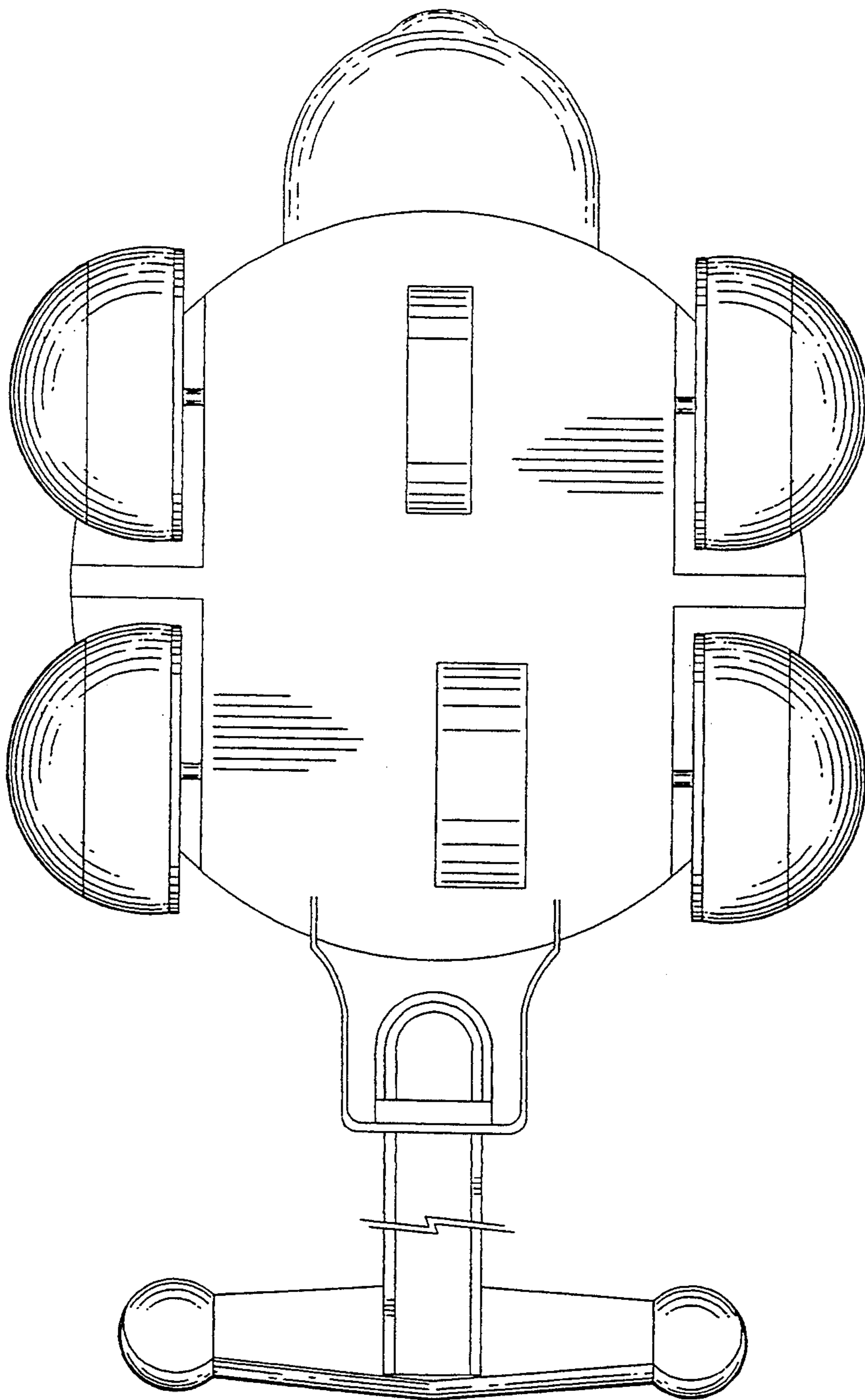


FIG. 6

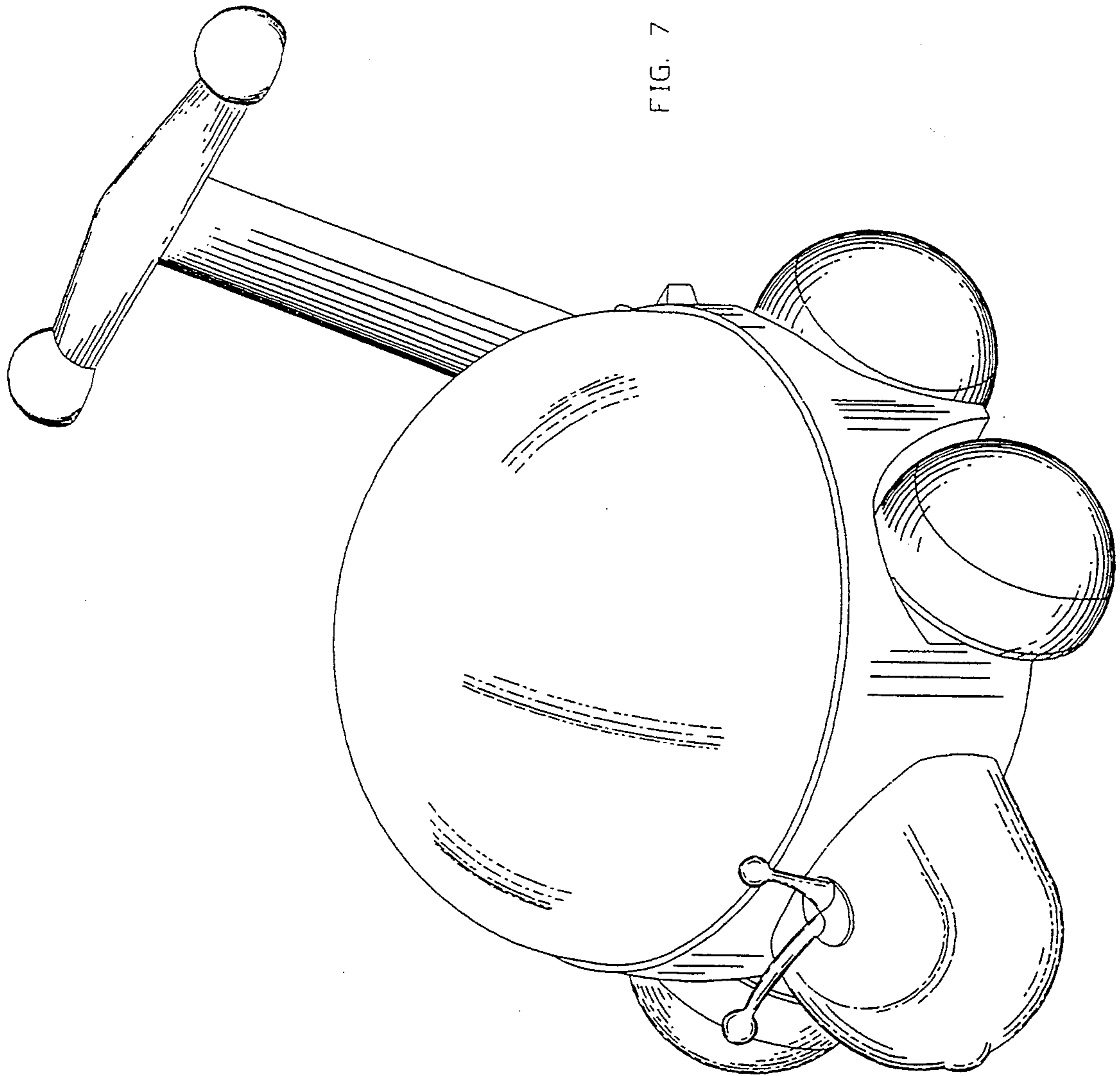


FIG. 7