



US00D353841S

# United States Patent [19]

[11] Patent Number: **Des. 353,841**

**Krol et al.**

[45] Date of Patent: **\*\* Dec. 27, 1994**

[54] **NEWSPAPER VENDING MACHINE**

[75] Inventors: **Michael G. Krol, Wayzata; Mark O. Snyker, Minneapolis, both of Minn.**

[73] Assignee: **Seven, Ltd., Charles City, Iowa**

[\*\*] Term: **14 Years**

[21] Appl. No.: **4,971**

[22] Filed: **Feb. 17, 1993**

[52] U.S. Cl. .... **D20/6**

[58] Field of Search ..... **D20/1, 6; D99/28; 194/350; 221/154, 155, 191, 194, 195, 213, 215, 232, 282, 255**

4,424,892 1/1984 Marcroft ..... 194/350 X  
 4,754,126 6/1988 Caldwell ..... D99/28 X  
 4,802,606 2/1989 Daniels ..... 221/195 X  
 5,209,336 5/1993 Heltzen et al. .... 221/155 X  
 5,232,077 8/1993 Nicholas ..... 194/350 X

*Primary Examiner*—Bernard Ansher  
*Assistant Examiner*—C. Tuttle  
*Attorney, Agent, or Firm*—G. Brian Pingel

### [57] CLAIM

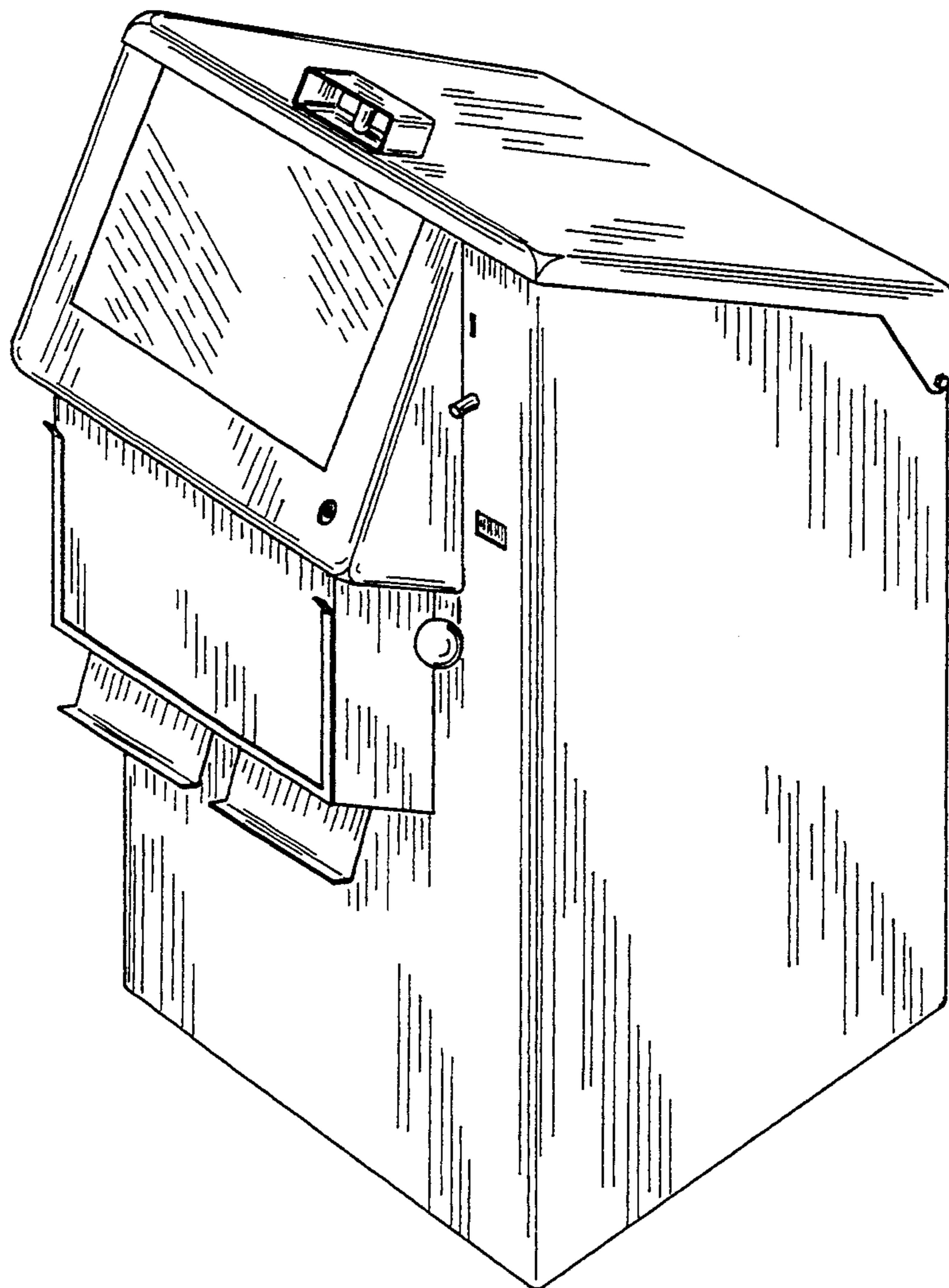
The ornamental design for a newspaper vending machine, as shown and described.

### DESCRIPTION

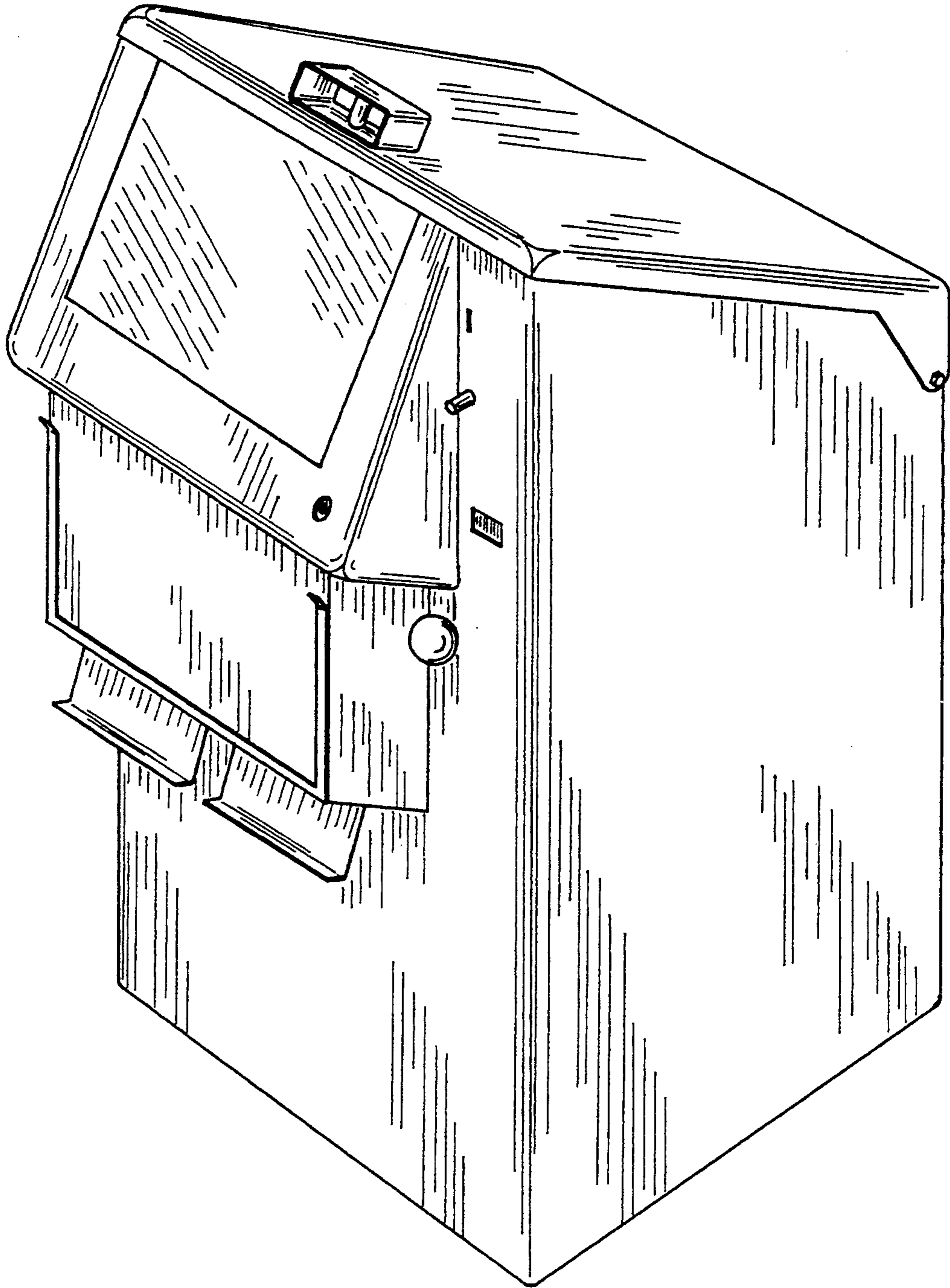
FIG. 1 is a front-side perspective view of a newspaper vending machine showing my new design;  
 FIG. 2 is a left side elevational view thereof;  
 FIG. 3 is a front elevational view thereof;  
 FIG. 4 is a top plan view thereof;  
 FIG. 5 is a right side elevational view thereof;  
 FIG. 6 is a rear view thereof; and,  
 FIG. 7 is a bottom plan view thereof.

[56] **References Cited**  
**U.S. PATENT DOCUMENTS**

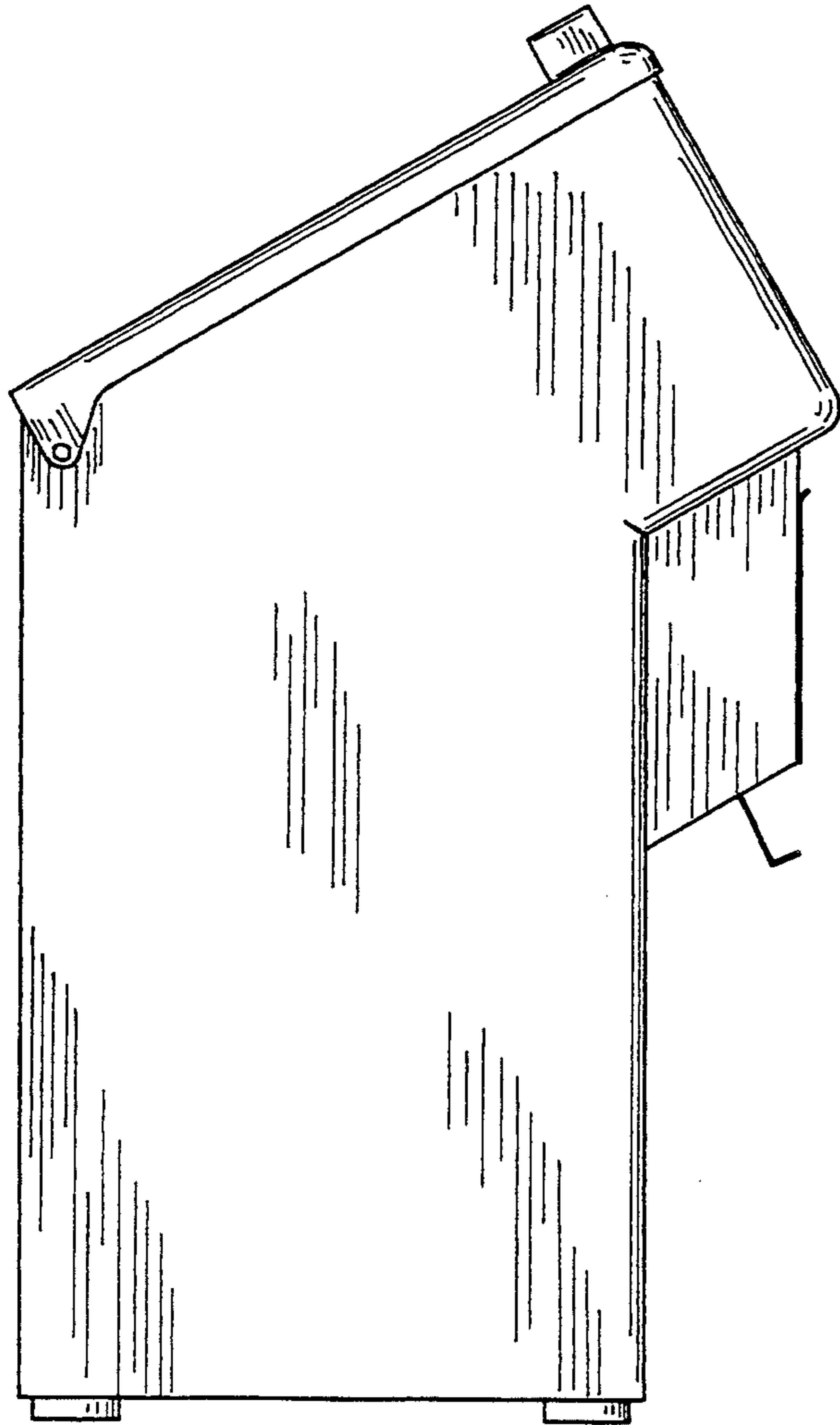
D. 284,321	6/1986	Kobayashi	.....	D99/28
D. 319,077	8/1991	Arato et al.	.....	D20/6
4,216,877	8/1980	Dutro	.....	221/213
4,312,461	1/1982	Godley, Sr.	.....	221/195
4,319,695	3/1982	Dutro	.....	221/213



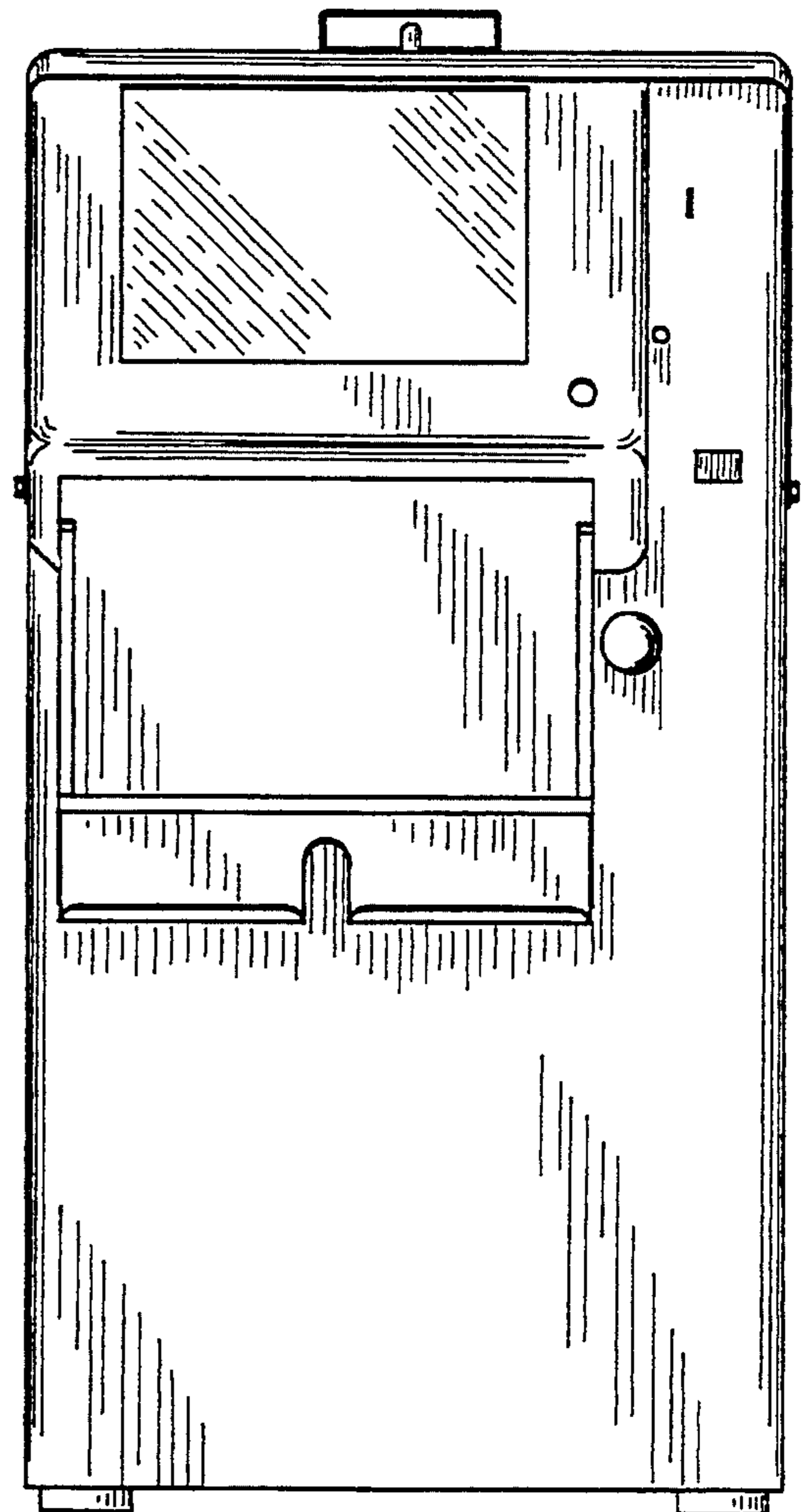
*FIG. 1*



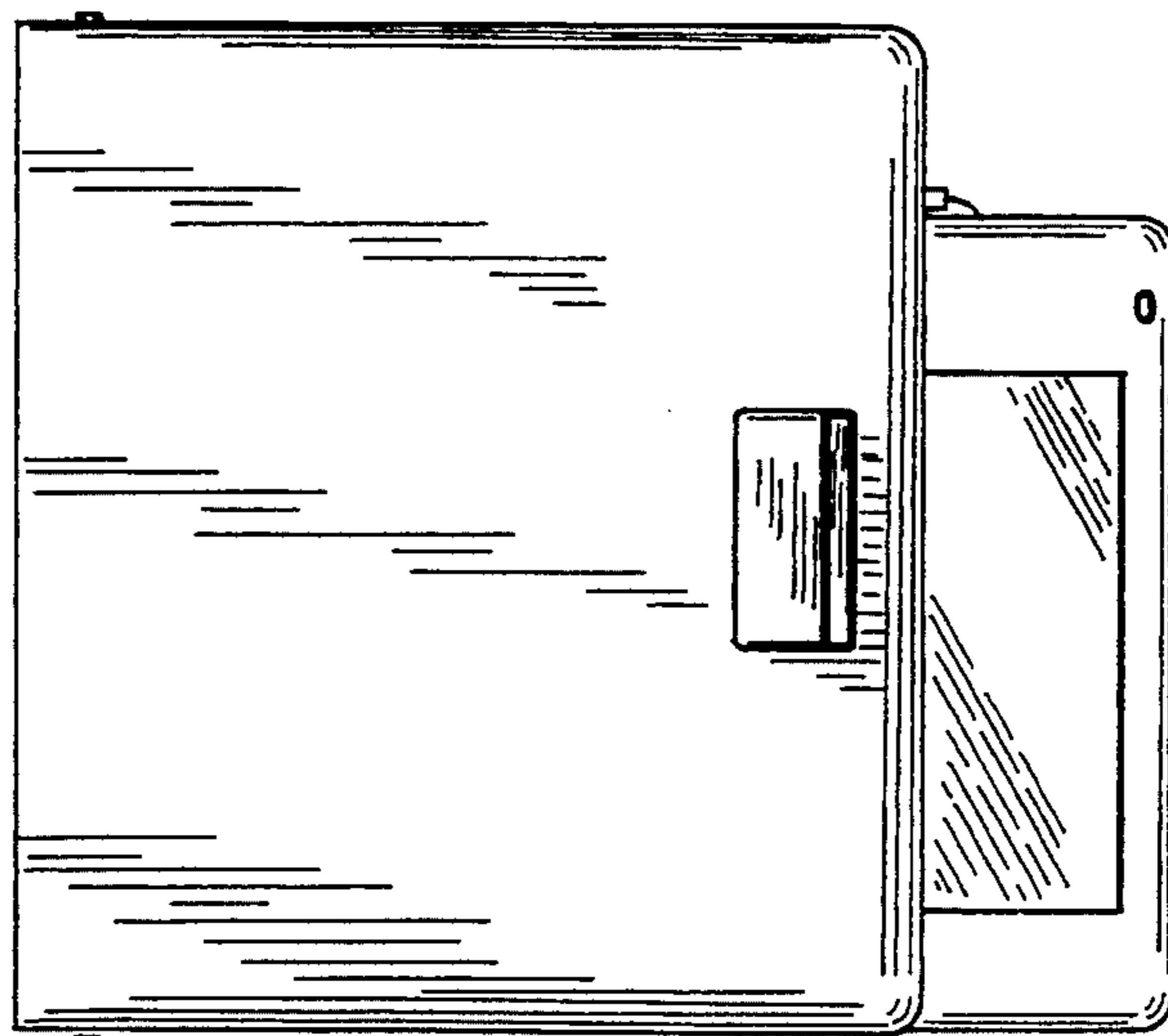
*FIG. 2*



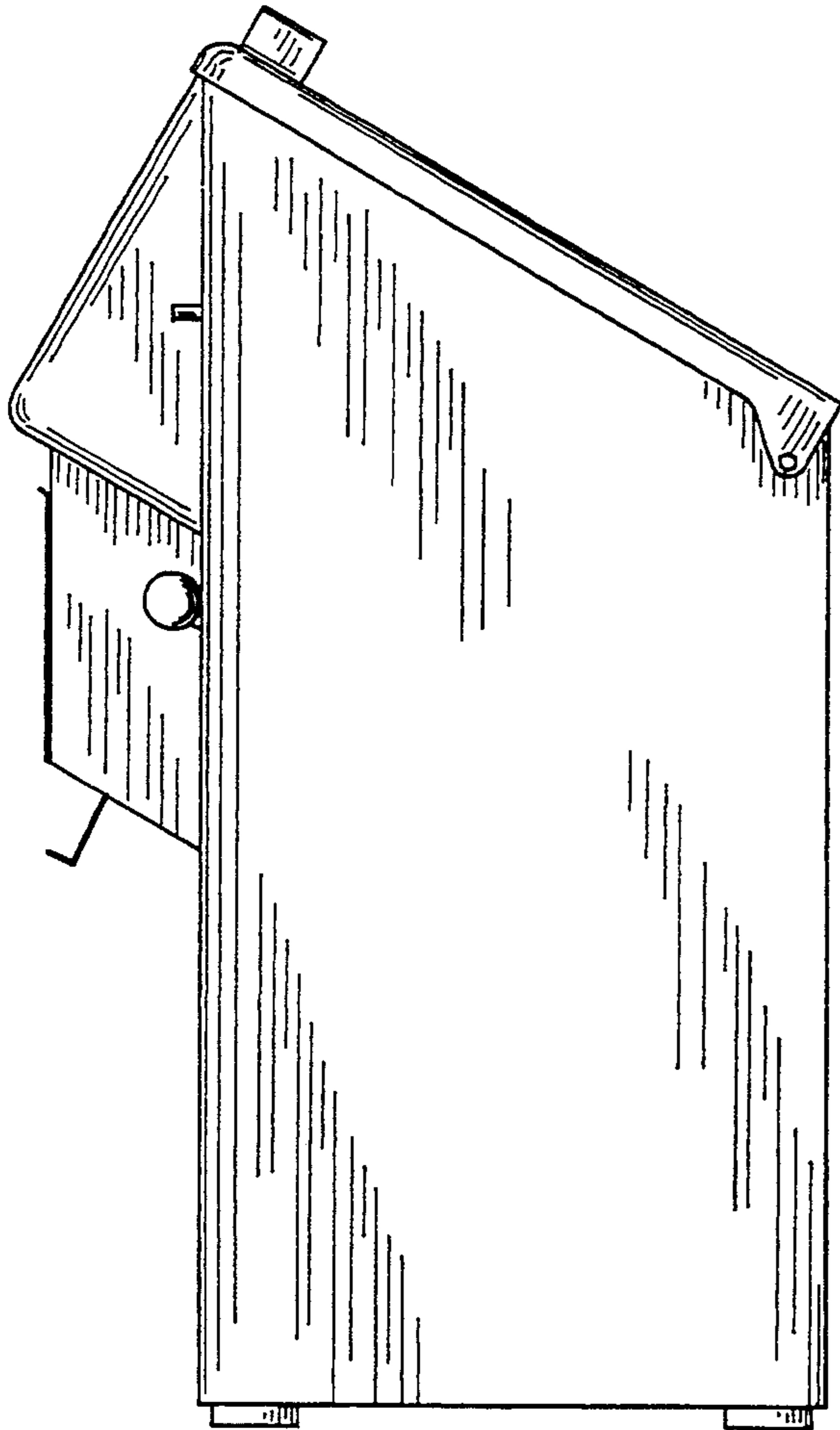
*FIG. 3*



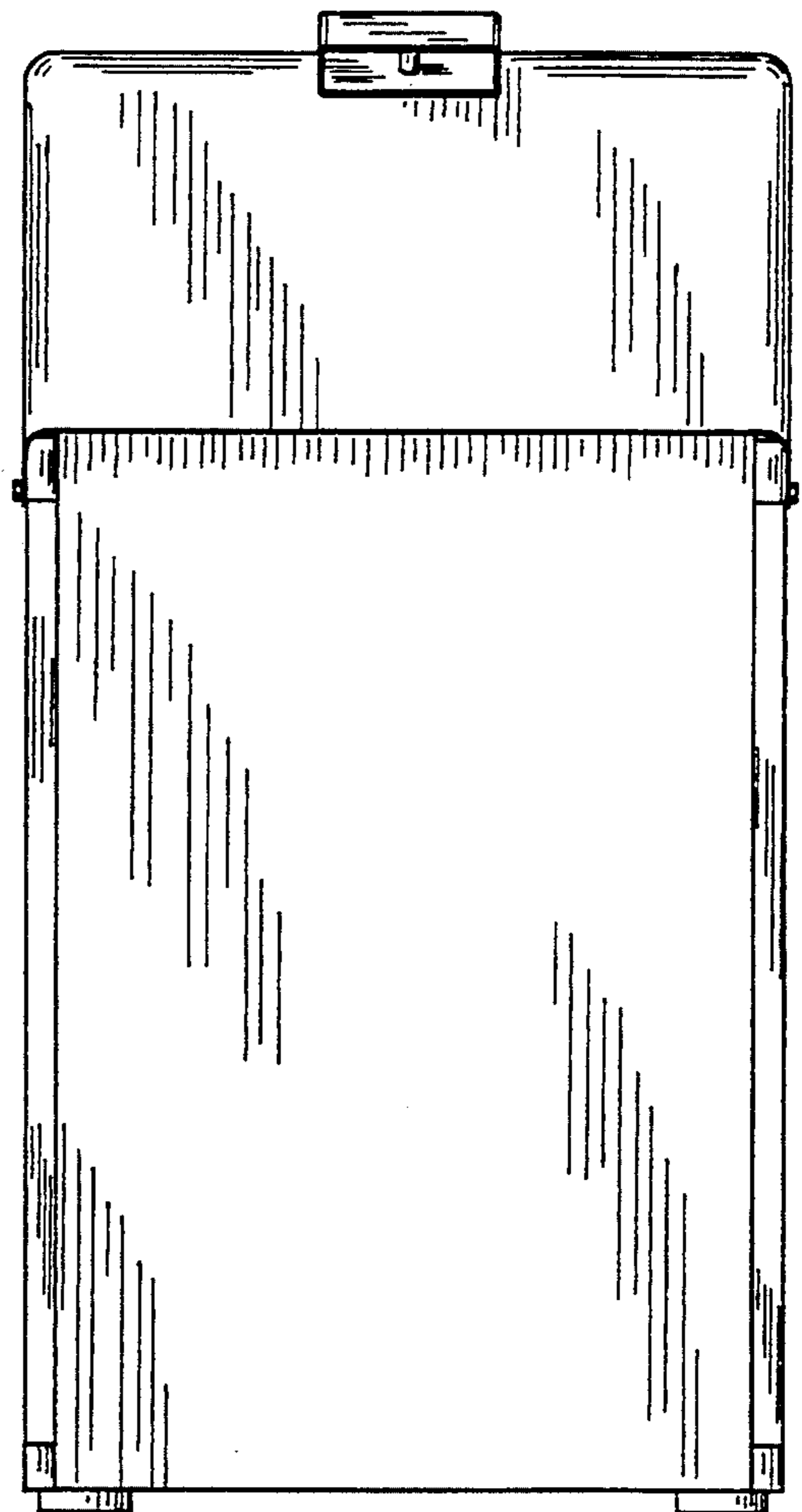
*FIG. 4*



*FIG. 5*



*FIG. 6*



*FIG. 7*

