



US00D353836S

United States Patent [19]

[11] Patent Number: **Des. 353,836**

Carvelli et al.

[45] Date of Patent: **** Dec. 27, 1994**

[54] DOCUMENT ORGANIZER

[76] Inventors: **Salvatore G. Carvelli**, 2875 Diamond Hill Rd., Cumberland, R.I. 02864;
Richard B. Grant, 30 Lower College Rd., Kingston, R.I. 02881

[**] Term: **14 Years**

[21] Appl. No.: **5,838**

[22] Filed: **Mar. 12, 1993**

[52] U.S. Cl. **D19/27**

[58] Field of Search D19/26, 27, 28, 86,
D19/91, 100; 402/80 R, 75, 76, 56; 281/33, 31,
29, 42, 44, 15.1, 21.1, 35, 45

[56] References Cited

U.S. PATENT DOCUMENTS

D. 136,862	12/1943	Wollenberger	D19/26 X
D. 302,699	8/1989	Popat et al.	D19/26
D. 312,278	11/1990	Moor	D19/26 X
D. 316,108	4/1991	Gerriet	D19/27 X
D. 337,610	7/1993	Mixon	D19/26
4,296,945	10/1981	Pavlik	281/31 X
4,306,737	12/1987	Errichiello	D81/31 X

Primary Examiner—Wallace R. Burke

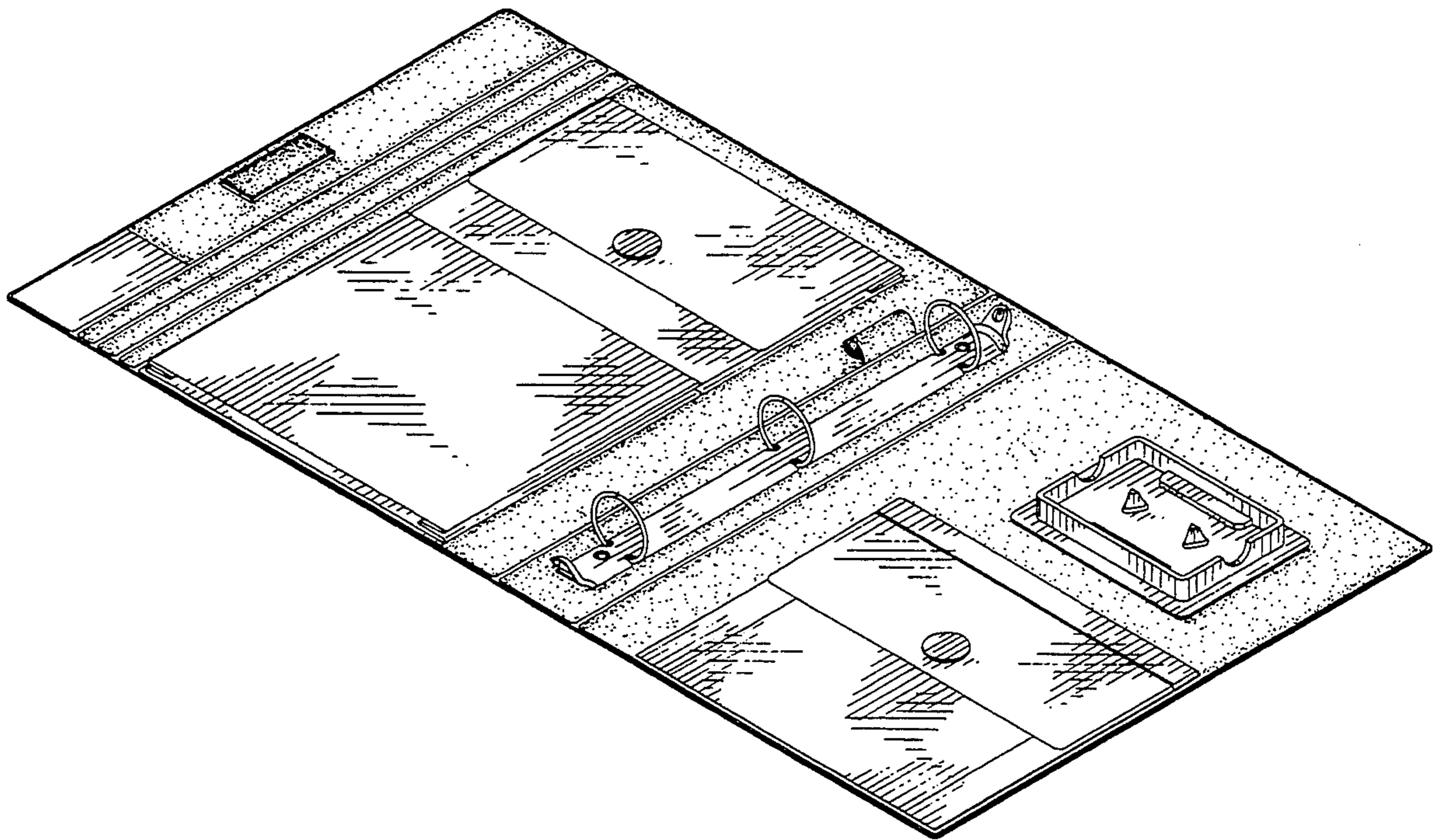
Assistant Examiner—Pamela Burgess
Attorney, Agent, or Firm—Salter & Michaelson

[57] CLAIM

The ornamental design for a document organizer, as shown and described.

DESCRIPTION

FIG. 1 is a top perspective view of a document organizer showing our new design;
 FIG. 2 is a bottom perspective view thereof;
 FIG. 3 is an elevational view showing the inside of the organizer in fully-opened position;
 FIG. 4 is an elevational view showing the outside of the organizer in fully-opened position;
 FIG. 5 is a top plan view of the organizer in open position;
 FIG. 6 is a left-end view of the organizer in open position;
 FIG. 7 is a right-end view of the organizer in open position;
 FIG. 8 is a bottom plan view of the organizer in open position;
 FIG. 9 is an elevational view similar to FIG. 3 but with the pocket flaps shown in open position; and,
 FIG. 10 is a top perspective view of the document organizer in the open illustrated in FIG. 9.



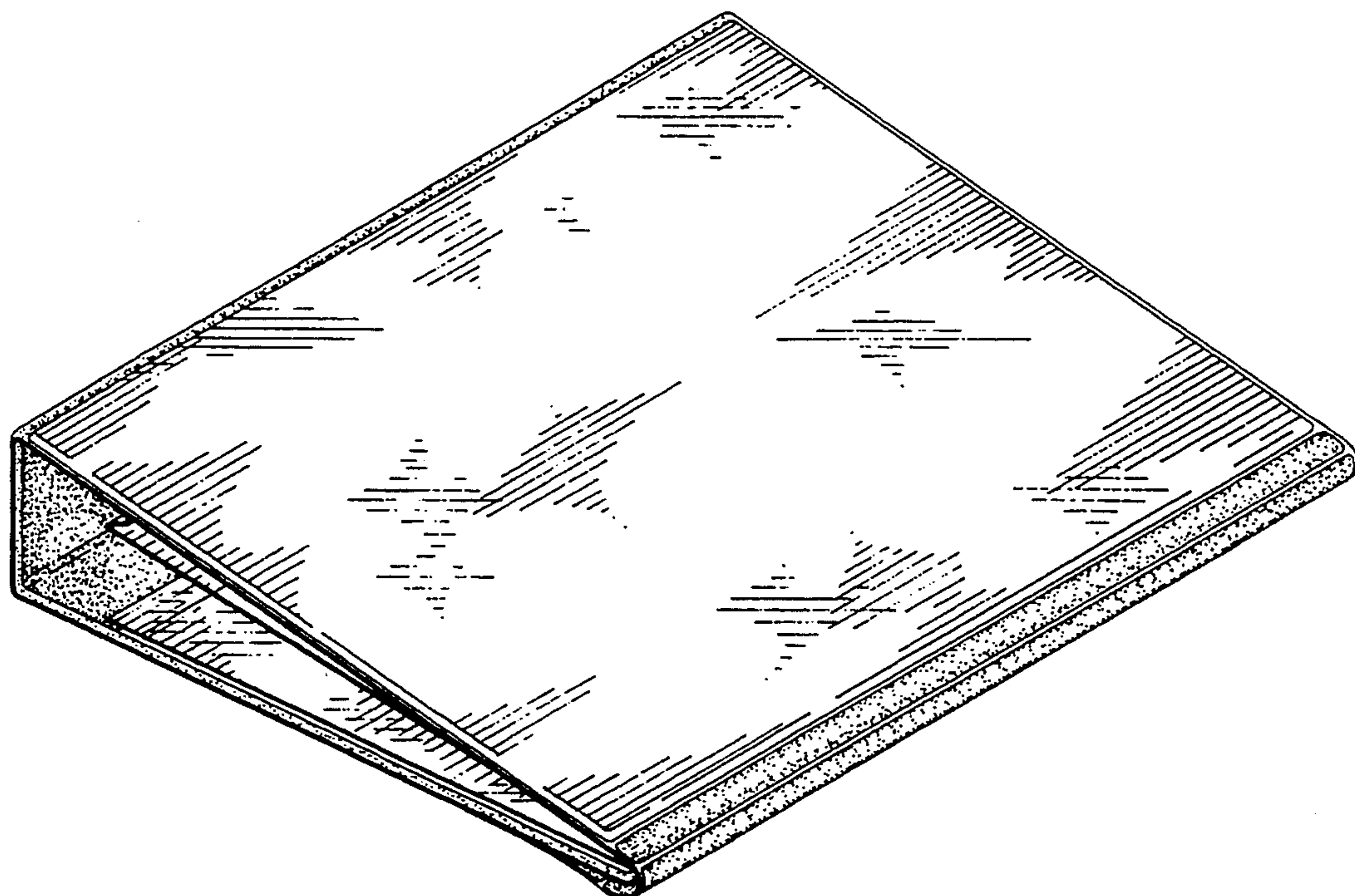


FIG. 1

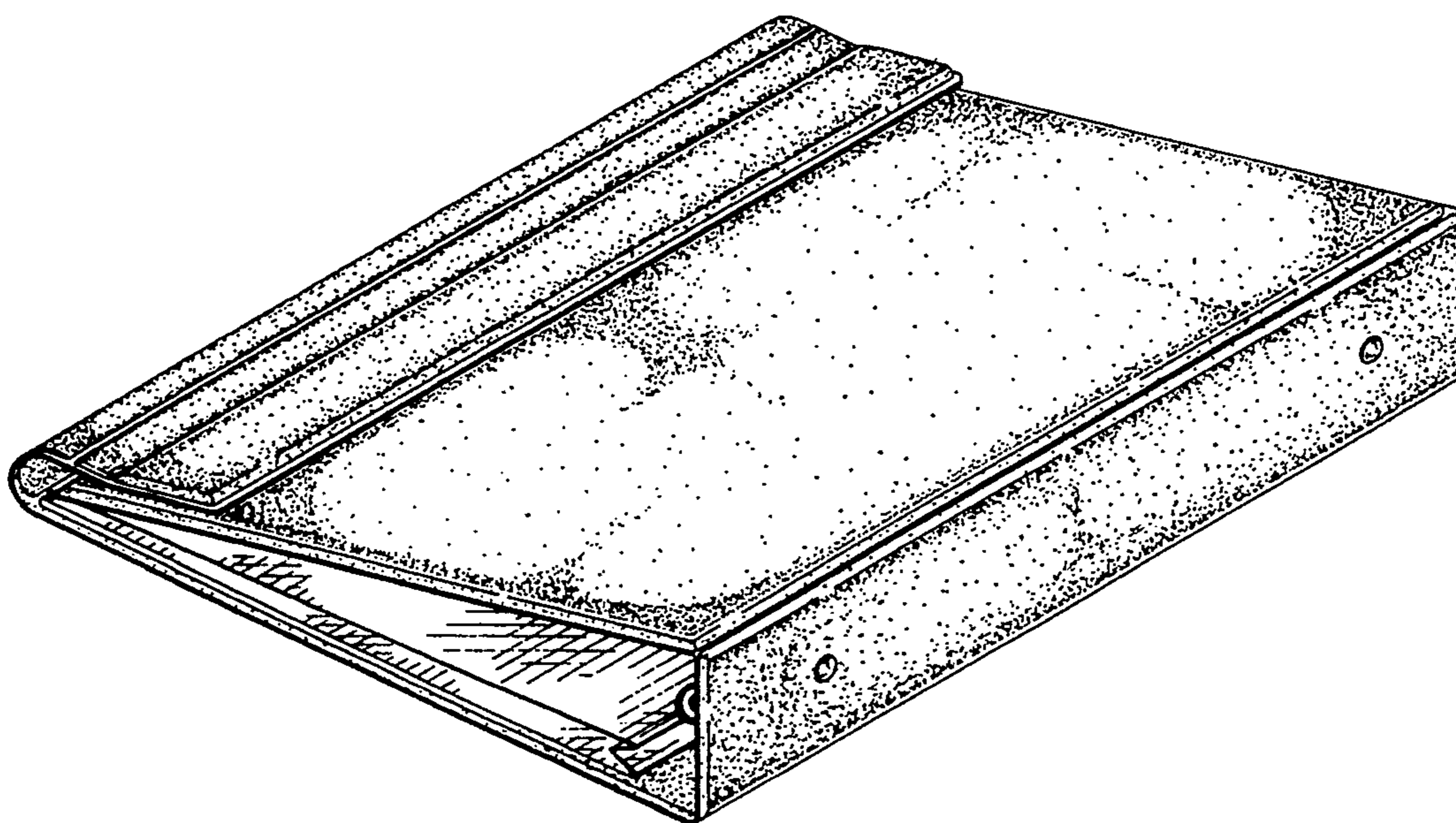


FIG. 2

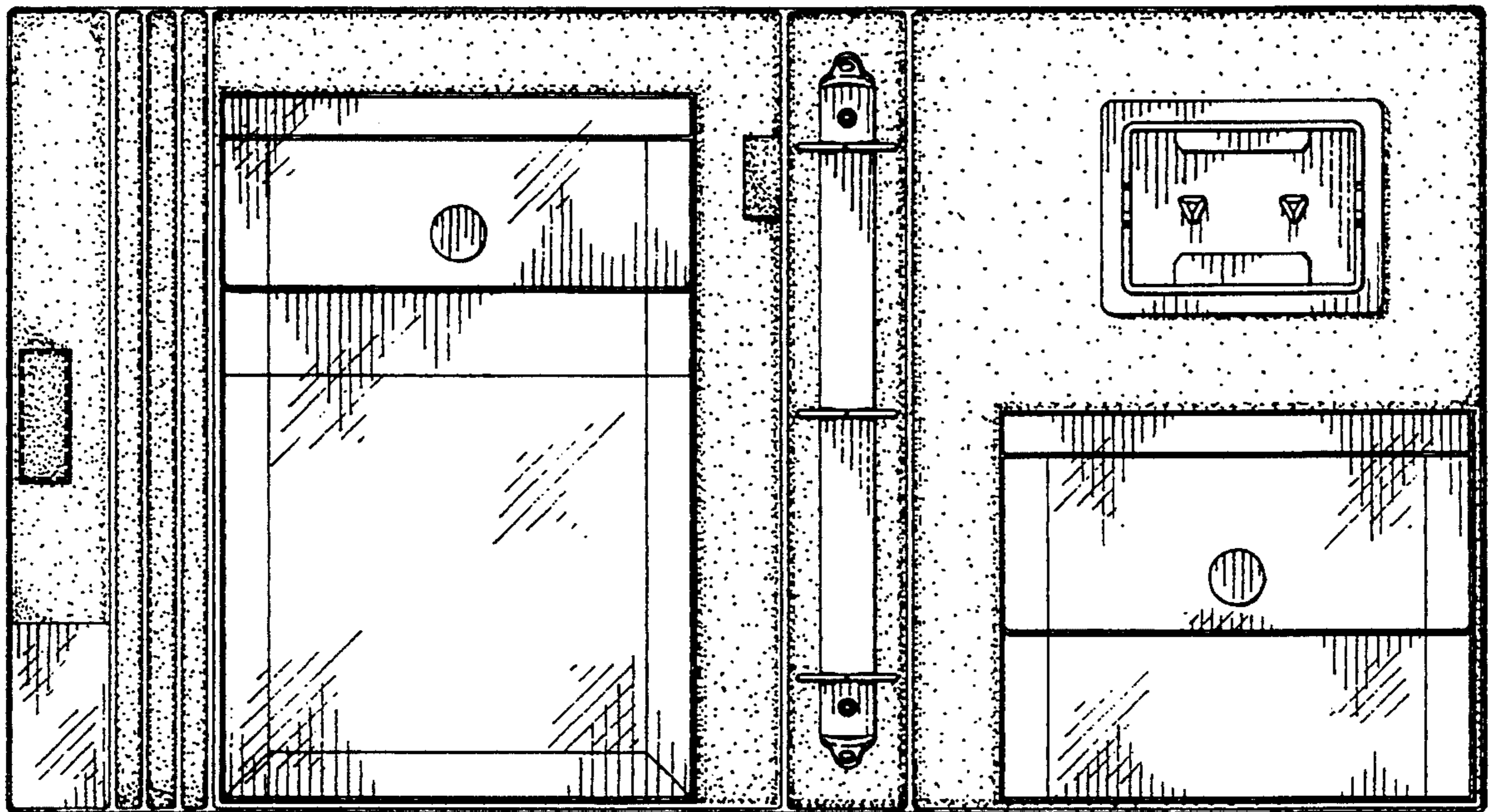


FIG. 3

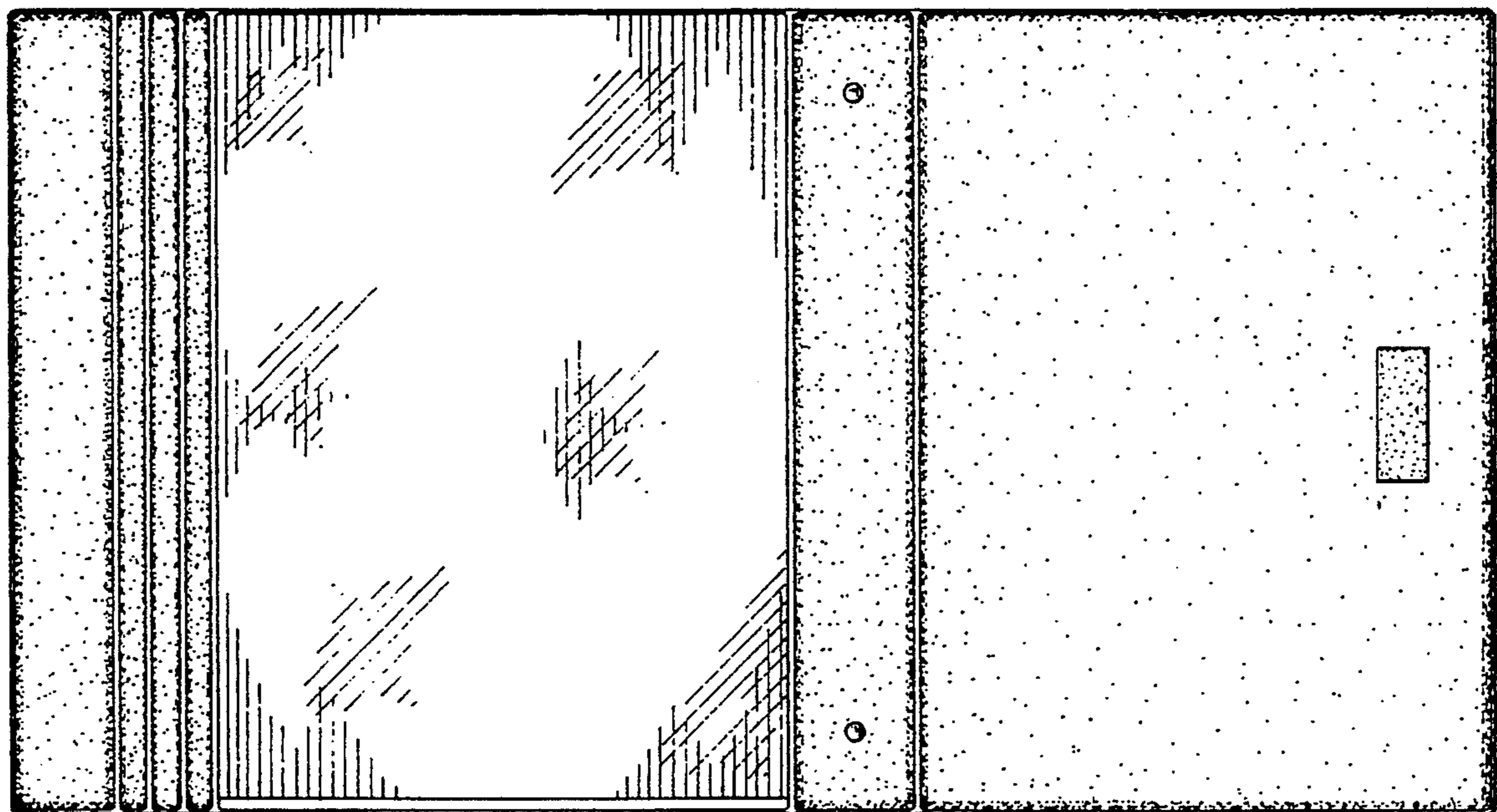


FIG. 4

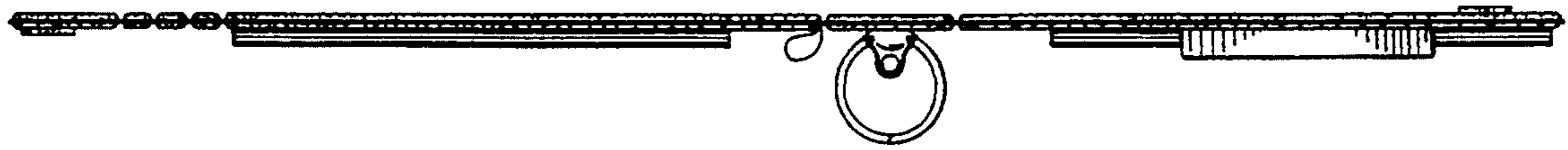


FIG. 5

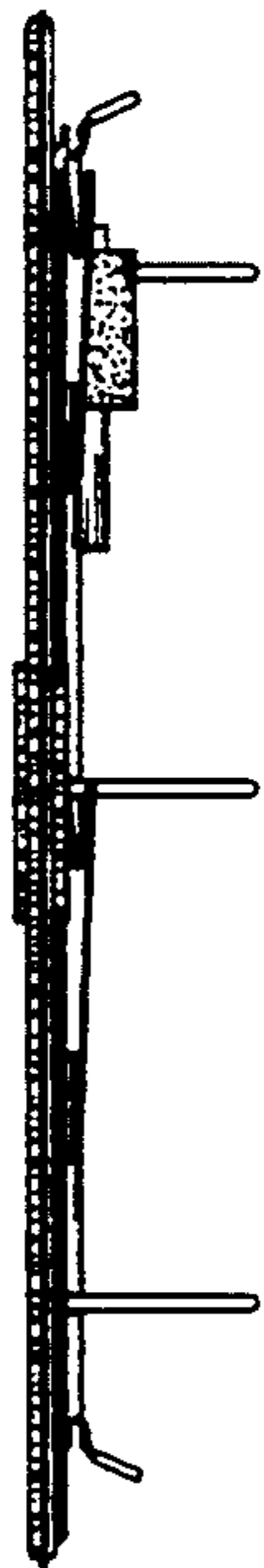


FIG. 6



FIG. 7



FIG. 8

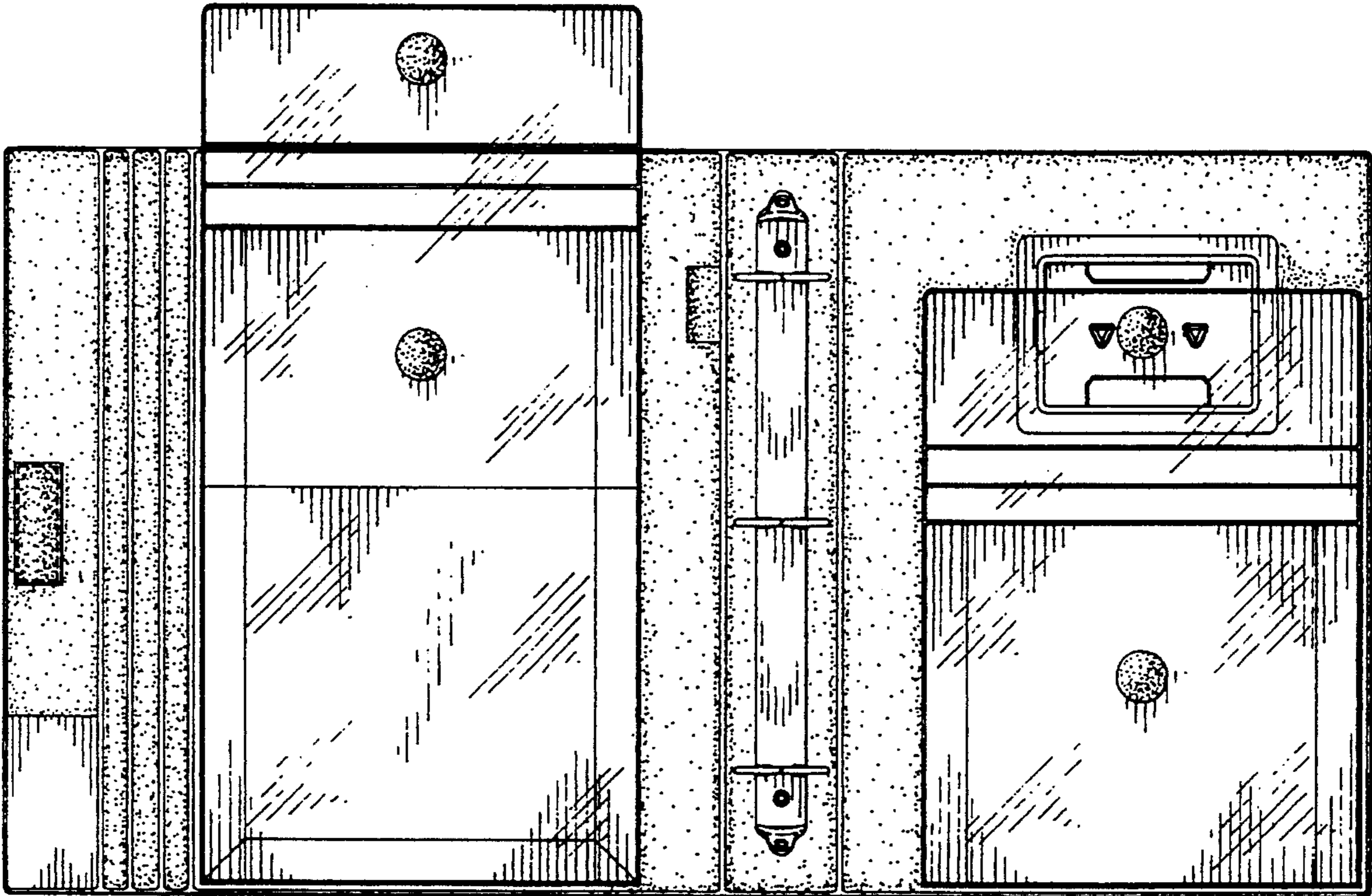


FIG. 9

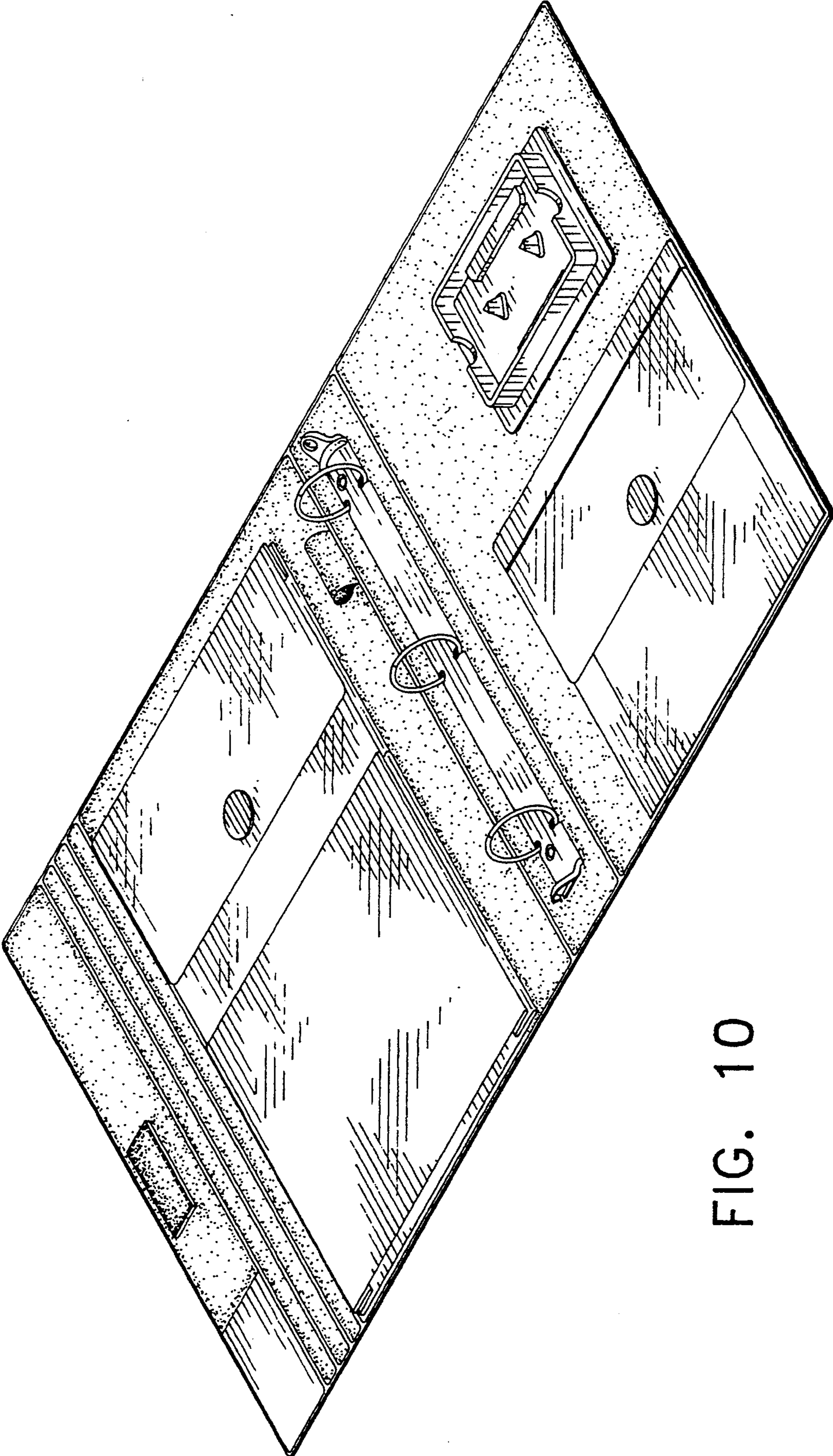


FIG. 10