



US00D353833S

United States Patent [19]

[11] Patent Number: Des. 353,833

Karafuji et al.

[45] Date of Patent: ** Dec. 27, 1994

- [54] **OFFSET PRINTING MACHINE**
- [75] Inventors: **Nobuhiko Karafuji**, Tokyo; **Hideo Aoyama**, Hiroshima, both of Japan
- [73] Assignee: **Ryobi, Ltd.**, Hiroshima, Japan
- [**] Term: **14 Years**
- [21] Appl. No.: **13,090**
- [22] Filed: **Sep. 17, 1993**
- [30] **Foreign Application Priority Data**
 Mar. 17, 1993 [JP] Japan 5-7774
- [52] U.S. Cl. **D18/53**
- [58] Field of Search D18/53; 101/136, 137,
101/141-142, 177, 183-184, 217

4,976,197 12/1990 Yamanari et al. 101/137

FOREIGN PATENT DOCUMENTS

745116 6/1988 Japan .

OTHER PUBLICATIONS

Lithorueek; Oct. 28, 1987; p. 2; Ryobi 3302M printer. Shinohara Fuji-Offset-65II brochure; p. 3.

Primary Examiner—Cathy Anne MacCormac
Attorney, Agent, or Firm—Sughrue, Mion, Zinn, Macpeak & Seas

CLAIM

[57] The ornamental design for an offset printing machine, as shown and described.

DESCRIPTION

FIG. 1 is a front, top and right side perspective view of an offset printing machine showing our new design; FIG. 2 is a top plan view thereof; FIG. 3 is a front elevational view thereof; FIG. 4 is a rear elevational view thereof; FIG. 5 is a right side elevational view thereof; and, FIG. 6 is a left side elevational view thereof. The bottom is unadorned.

References Cited

U.S. PATENT DOCUMENTS

D. 290,966	7/1987	Saito et al.	D18/53
D. 323,844	2/1992	Kitamura et al.	D18/53
D. 332,464	1/1993	Doi et al.	D18/53
D. 341,155	11/1993	Fujii et al.	D18/53
4,423,677	1/1984	Fisher	101/184
4,777,876	10/1988	Ishii	101/177

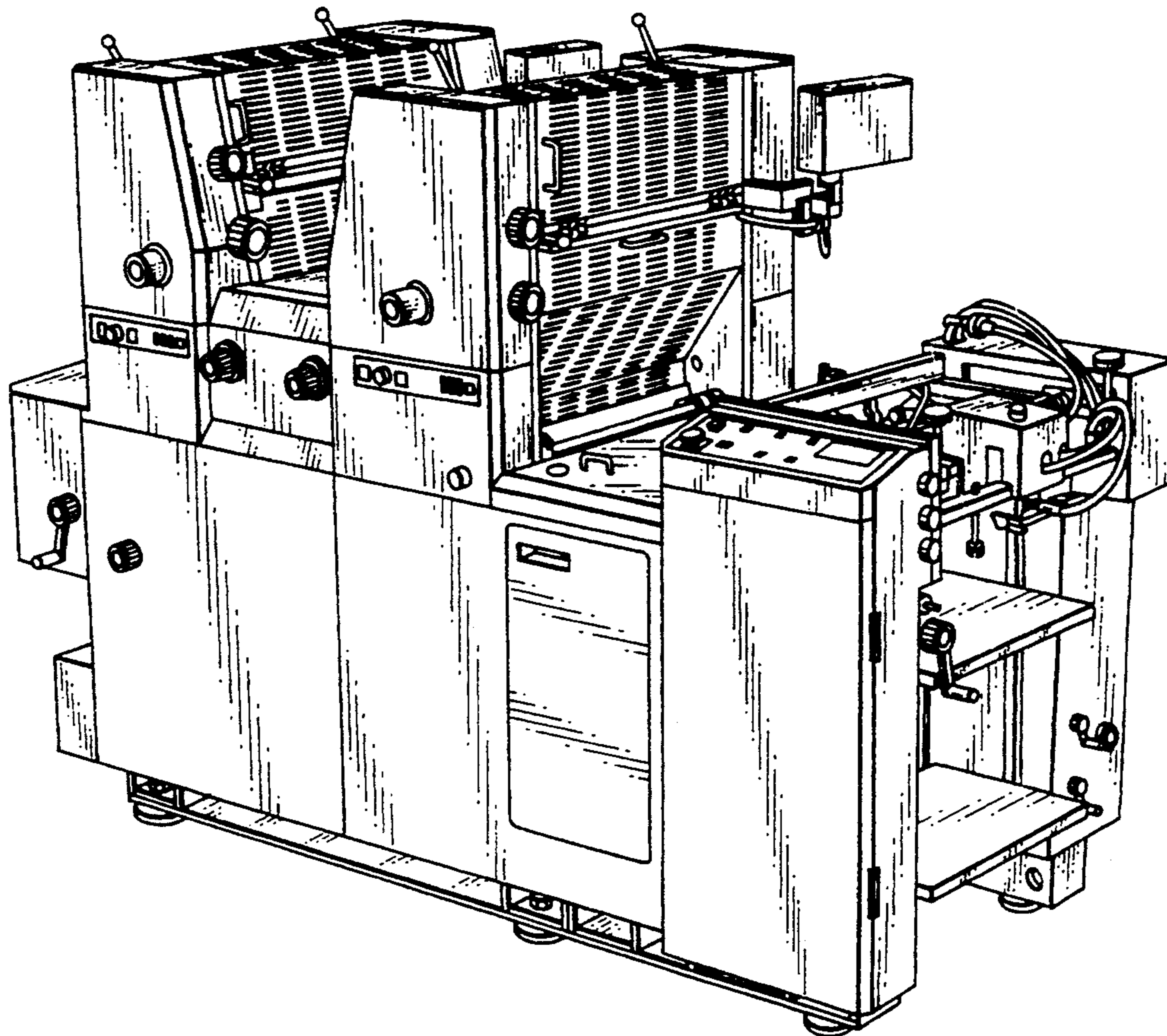


FIG. 1

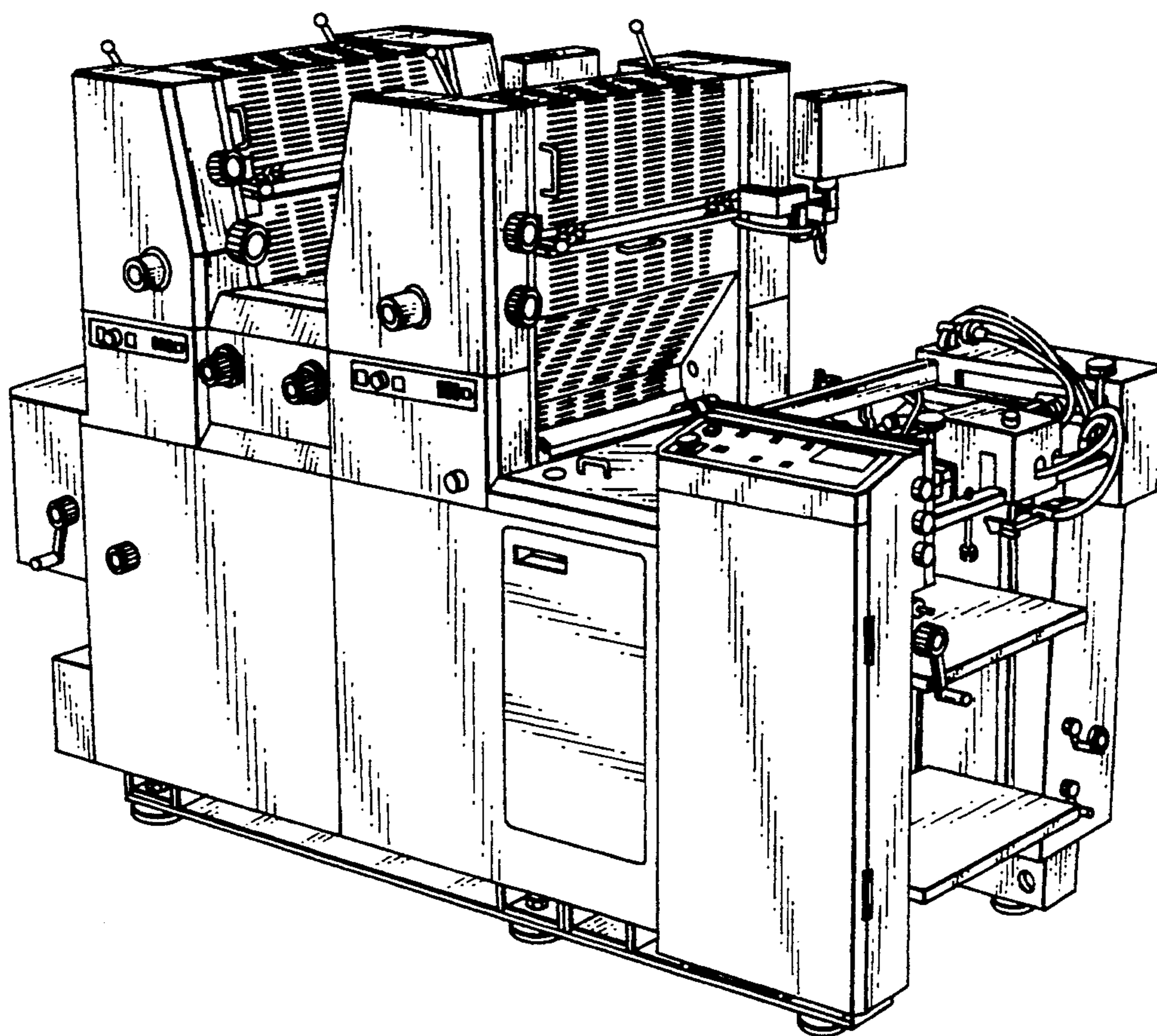


FIG. 2

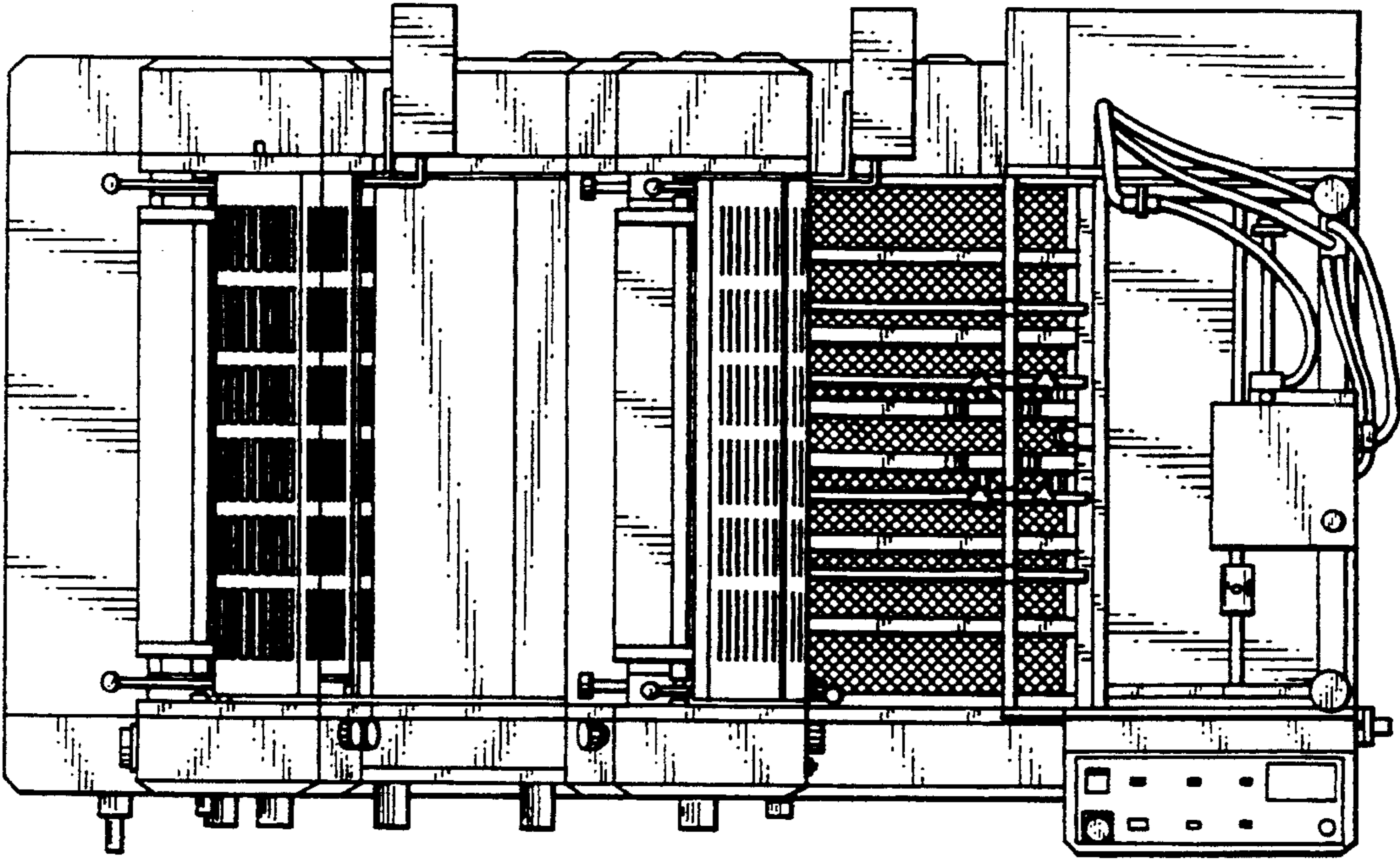


FIG. 3

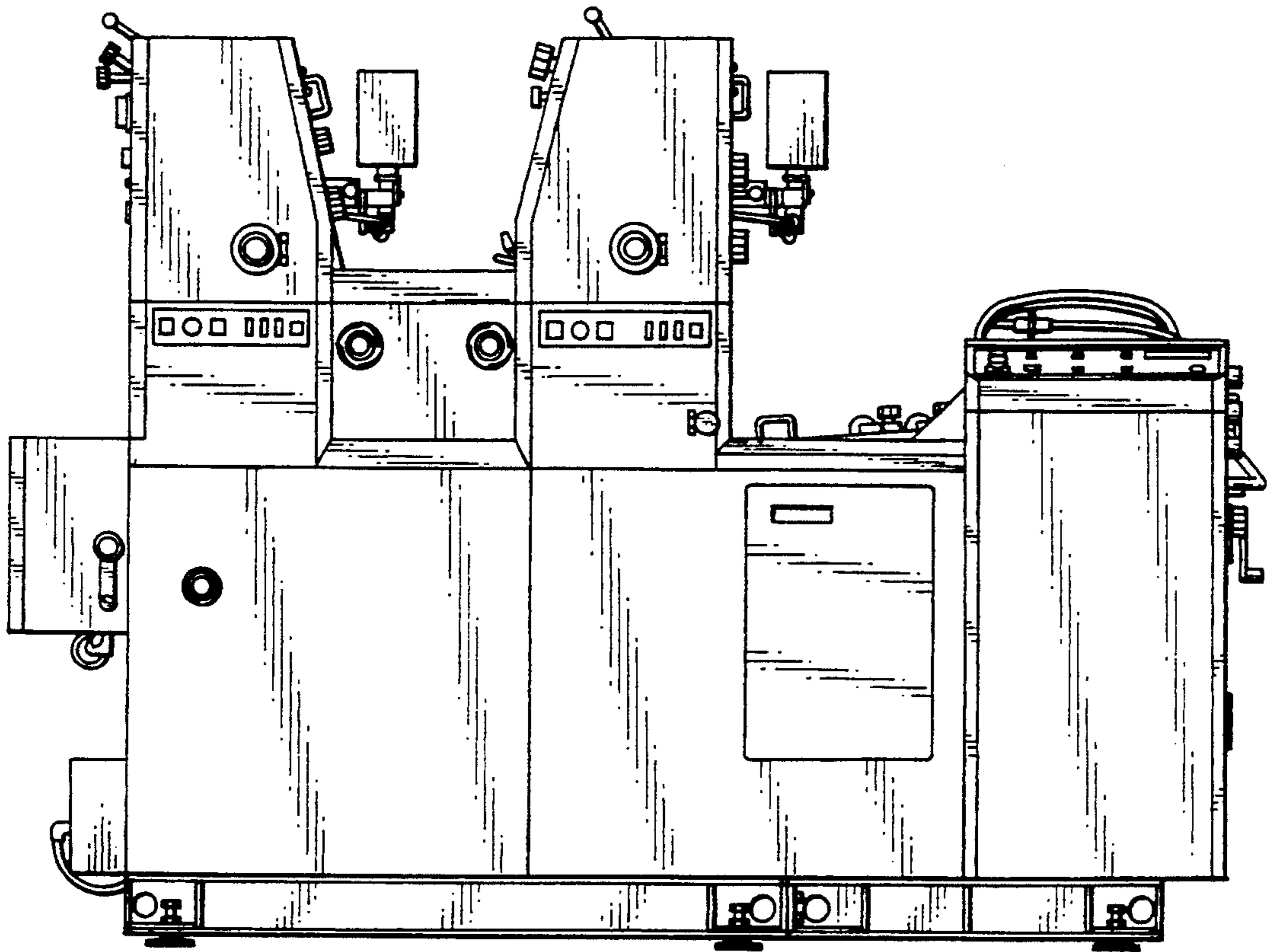


FIG. 4

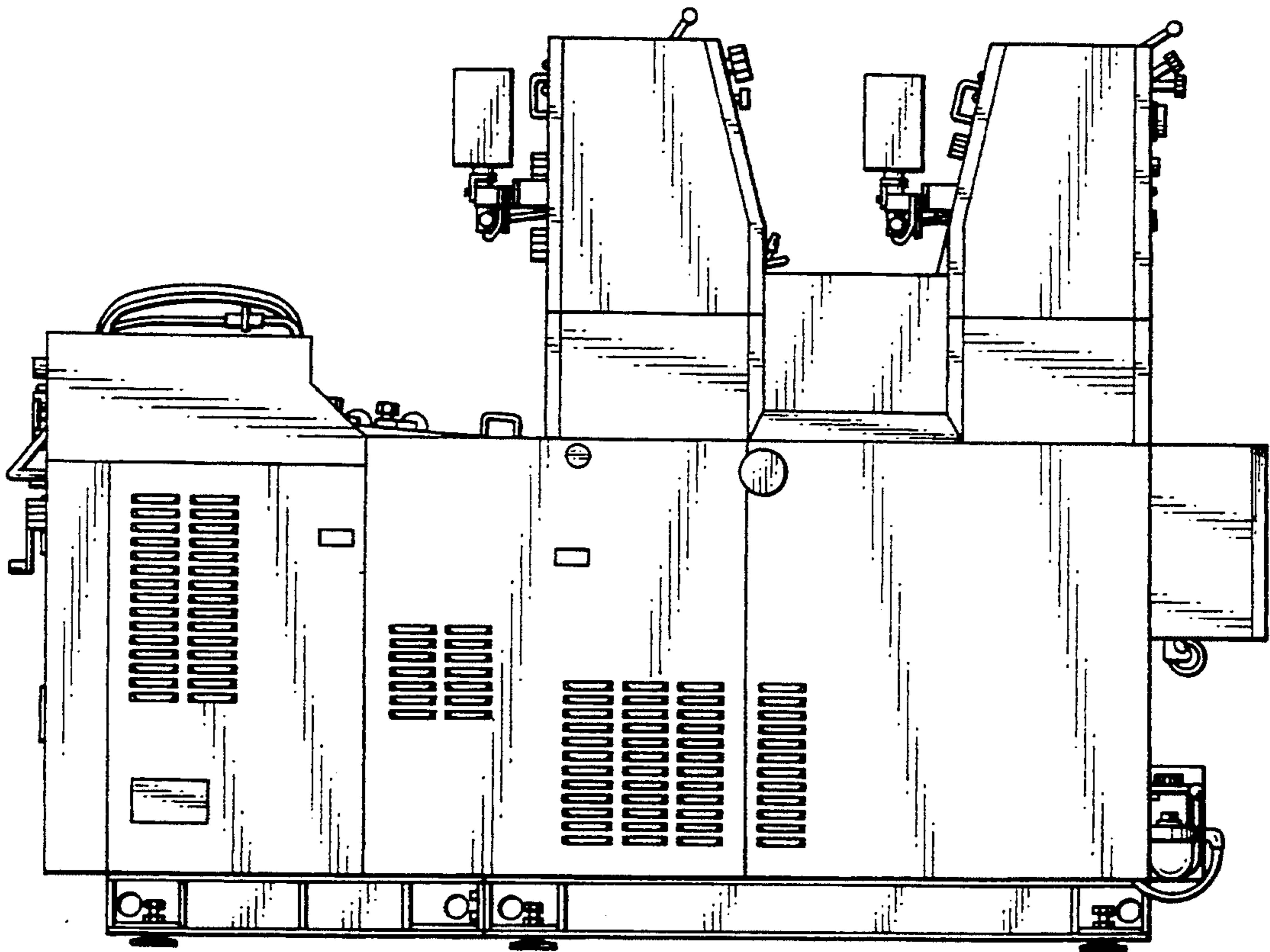


FIG. 5

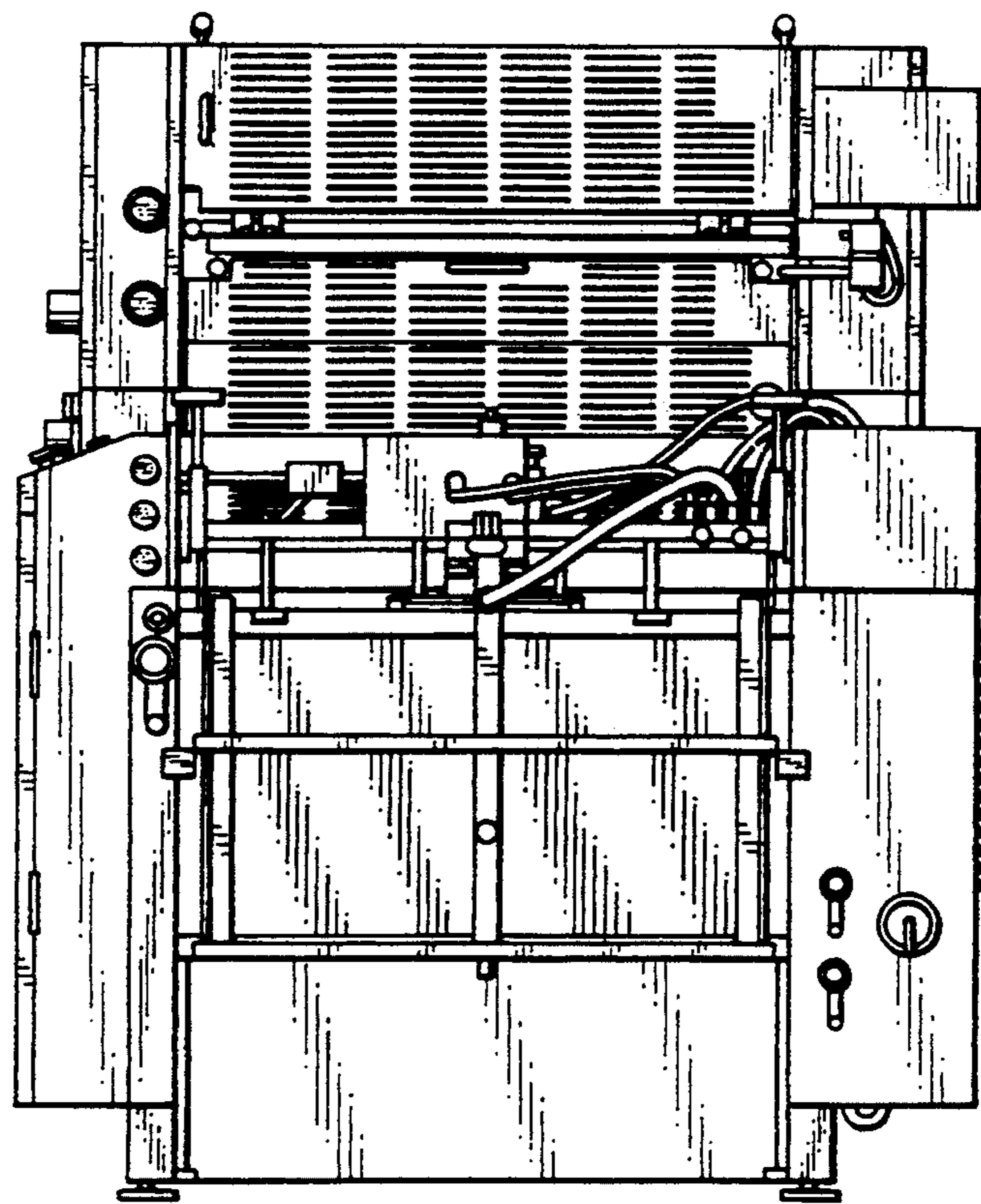


FIG. 6

