



US00D353832S

United States Patent [19]

[11] Patent Number: **Des. 353,832**

Masaki et al.

[45] Date of Patent: **** Dec. 27, 1994**

[54] **TONER CONTAINER FOR PHOTO-COPIER**

[75] Inventors: **Nobuo Masaki, Yokohama; Yutaka Ban, Tokyo; Tadayuki Tsuda, Kawasaki, all of Japan**

[73] Assignee: **Canon Kabushiki Kaisha, Tokyo, Japan**

[**] Term: **14 Years**

[21] Appl. No.: **10,411**

[22] Filed: **Mar. 25, 1993**

D. 298,257	10/1988	Masaki	D18/43
D. 298,332	11/1988	Yoshiyama	D18/43
D. 308,886	6/1990	Aoyama	D18/43
4,963,939	10/1990	Kurando et al.	355/260

FOREIGN PATENT DOCUMENTS

0041068	3/1985	Japan	355/260
0049381	3/1987	Japan	355/260
0056673	3/1988	Japan	355/260

Primary Examiner—Alan P. Douglas
Assistant Examiner—Caron D. Veynar
Attorney, Agent, or Firm—Fitzpatrick, Cella, Harper & Scinto

Related U.S. Application Data

[63] Continuation of Ser. No. 835,088, Feb. 18, 1992, abandoned, which is a continuation of Ser. No. 377,195, Jul. 10, 1989, abandoned.

[30] Foreign Application Priority Data

Jan. 12, 1989 [JP] Japan 1-867

[52] U.S. Cl. **D18/43**

[58] Field of Search D18/43, 22; D9/338, D9/500, 504, 508, 518, 528, 529, 530; 118/657; 141/1; 206/216, 316, 446, 461, 474, 467, 495, 527, 532, 601, 628, 631, 633; 222/166, 325, 240, 541, DIG. 1; 355/200, 244, 245, 260, 298

[56] References Cited

U.S. PATENT DOCUMENTS

D. 248,148	6/1978	Chamberlin	D18/43 X
D. 276,500	11/1984	Shend'ge et al.	D9/355 X
D. 284,865	7/1986	Gendron	D18/43

[57] CLAIM

The ornamental design for a toner container for photo-copier, as shown and described.

DESCRIPTION

FIG. 1 is a front elevational view of a toner container for photo-copier showing our new design; FIG. 2 is a rear elevational view thereof; FIG. 3 is a top plan view thereof; FIG. 4 is a bottom plan view thereof; FIG. 5 is a left side elevational view thereof; FIG. 6 is a right side elevational view thereof; FIG. 7 is a perspective view thereof; and, FIG. 8 is a perspective view thereof from a side opposite to that of the FIG. 7 perspective view.

The characteristic feature of the design resides in the combination of ornamental features of the tab on the handle (seen most clearly in FIG. 8), the cylindrical shape, and the handle.

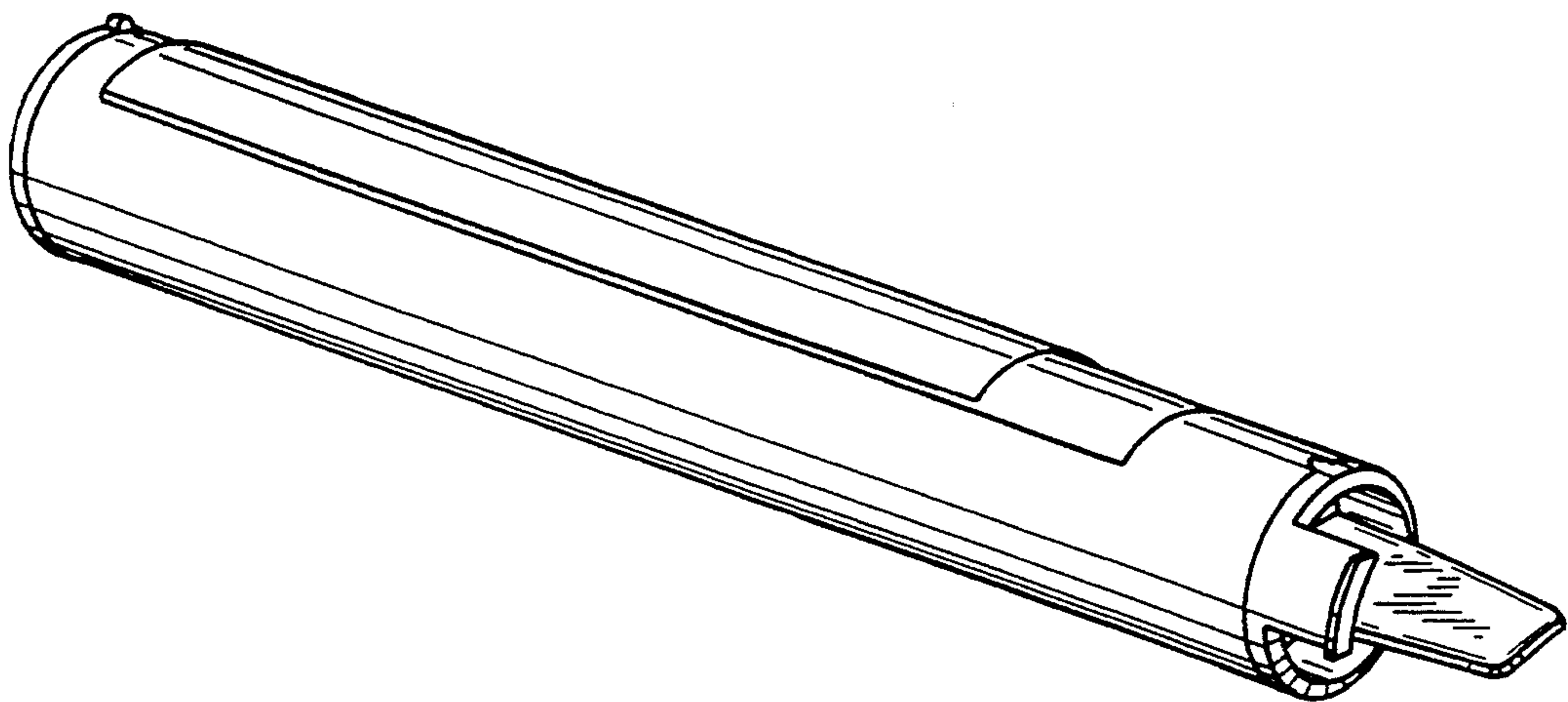


FIG. 1

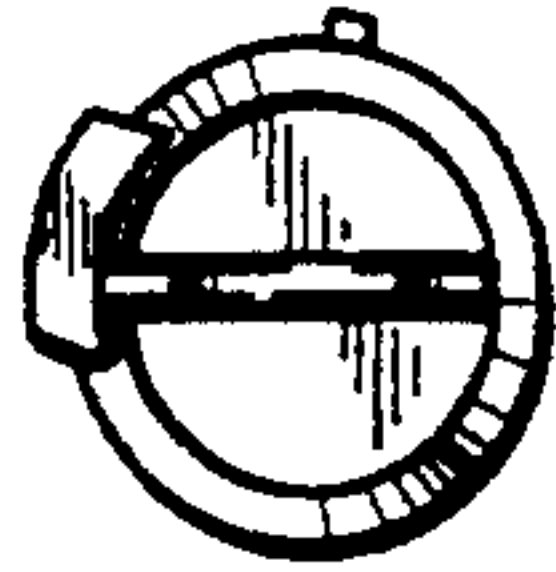


FIG. 2



FIG. 3



FIG. 4

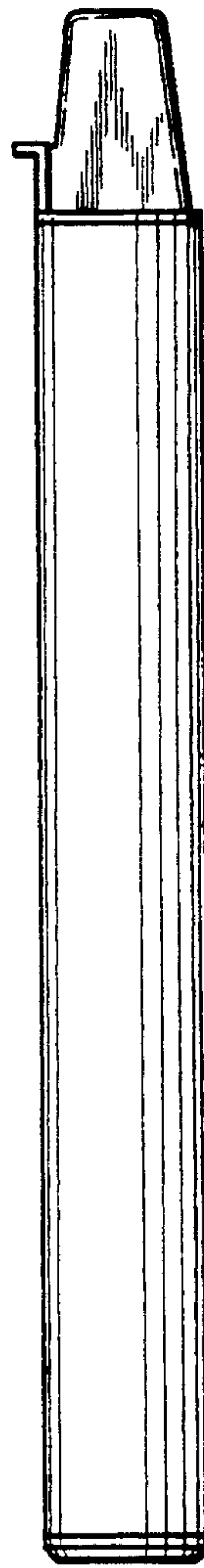


FIG. 5

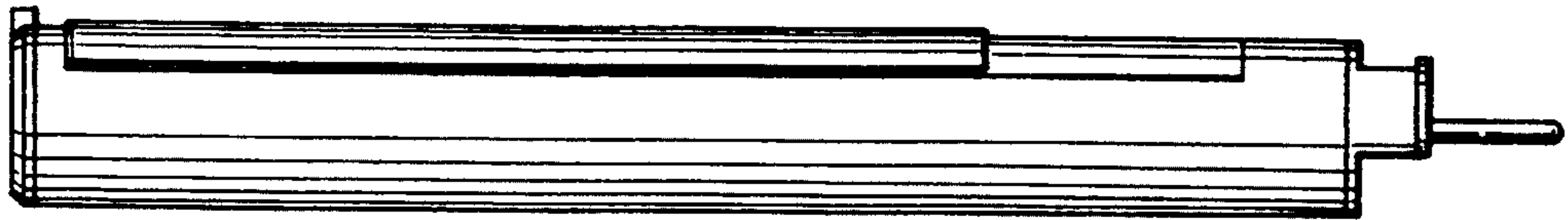


FIG. 6

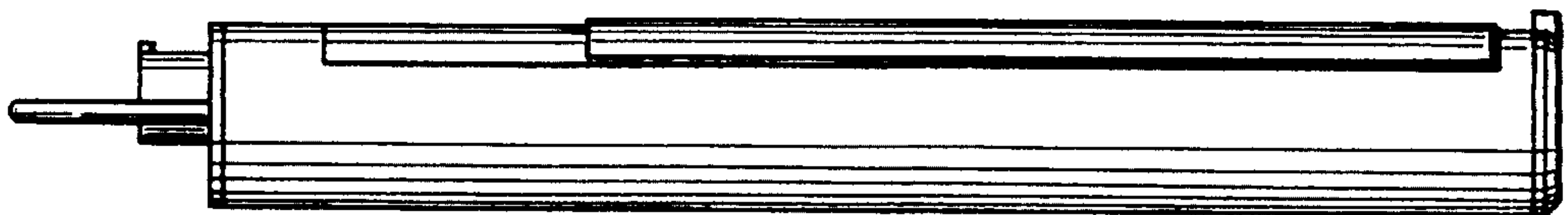


FIG. 7

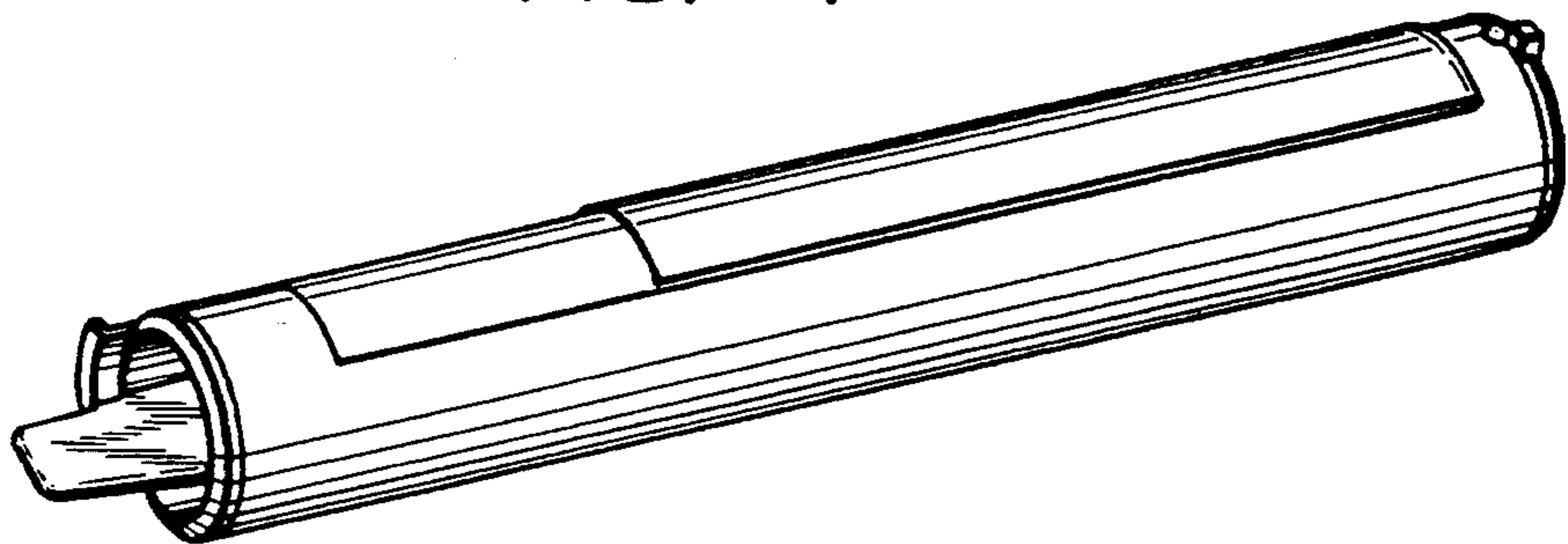


FIG. 8

