



US00D353831S

United States Patent [19]
Peck

[11] **Patent Number: Des. 353,831**
[45] **Date of Patent: ** Dec. 27, 1994**

[54] **COPY MACHINE TOP PANEL**
[75] **Inventor: Walter D. Peck, Portland, Oreg.**
[73] **Assignee: Book Support Systems, Inc.,
Portland, Oreg.**
[**] **Term: 14 Years**
[21] **Appl. No.: 911,957**
[22] **Filed: Jul. 10, 1992**
[52] **U.S. Cl. D18/41**
[58] **Field of Search D18/40, 41, 36-39;
248/441.1, 442.2, 445, 447; 281/45-47, 49, 50,
51; 355/72, 230, 231, 75**

FOREIGN PATENT DOCUMENTS

4030154 2/1992 Japan 355/75

Primary Examiner—Alan P. Douglas
Assistant Examiner—Caron D. Veynar
Attorney, Agent, or Firm—Salter & Michaelson

[57] **CLAIM**

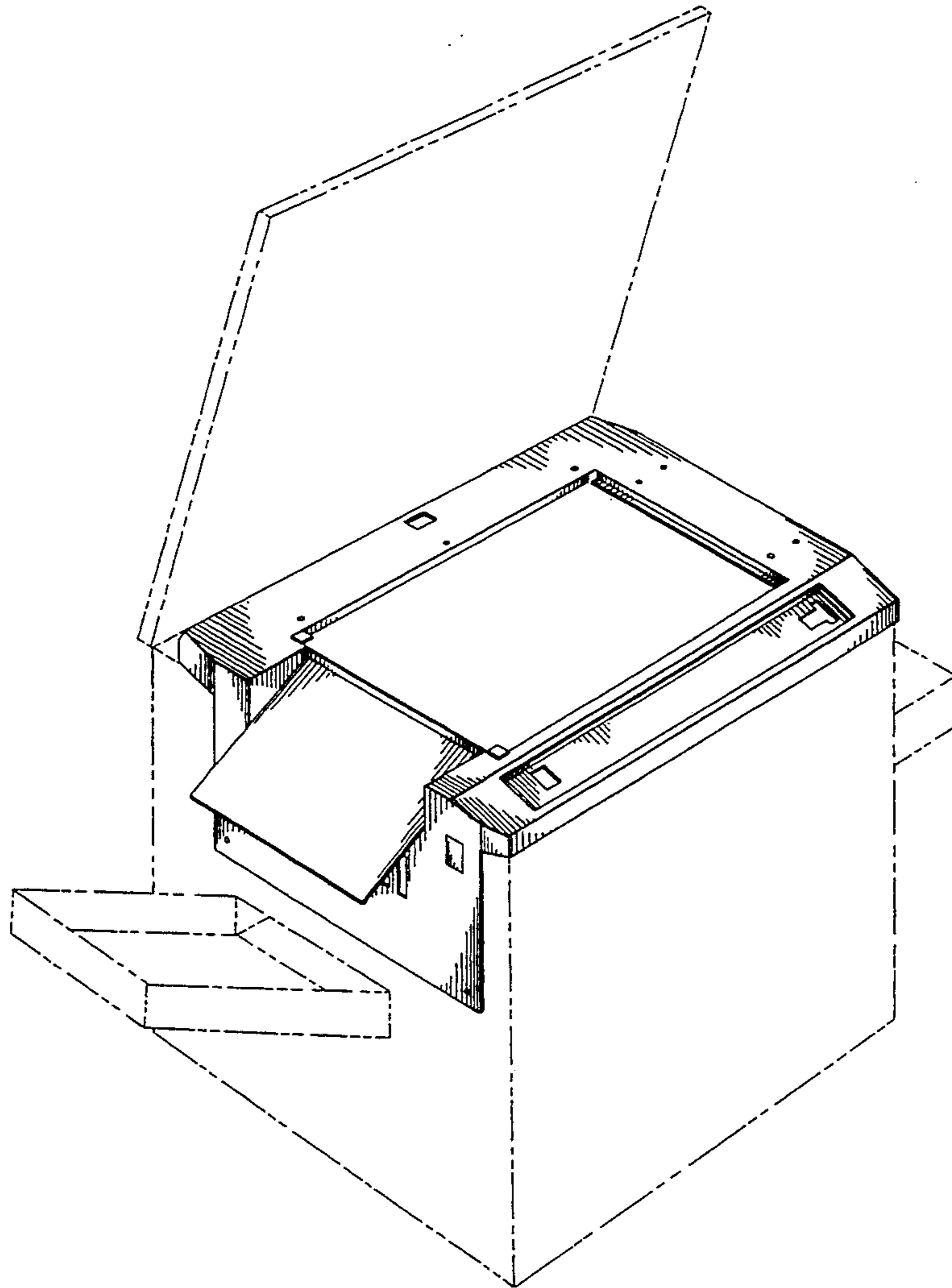
The ornamental design for a copy machine top panel, as shown and described.

DESCRIPTION

FIG. 1 is a perspective view of a copy machine top panel showing my new design;
FIG. 2 is a top plan view thereof;
FIG. 3 is a right side elevational view thereof;
FIG. 4 is a front elevational view thereof;
FIG. 5 is a bottom plan view thereof;
FIG. 6 is a left side elevational view thereof; and,
FIG. 7 is a rear elevational view thereof.
The broken-line showing in FIG. 1 is for informational purposes only and forms no part of the instant design.

[56] **References Cited**
U.S. PATENT DOCUMENTS

D. 291,892 9/1987 Carr et al. D18/39
3,888,584 6/1975 Smith 355/72 X
5,053,819 10/1991 Malyon et al. 355/230
5,177,535 1/1993 Watanabe 355/231 X



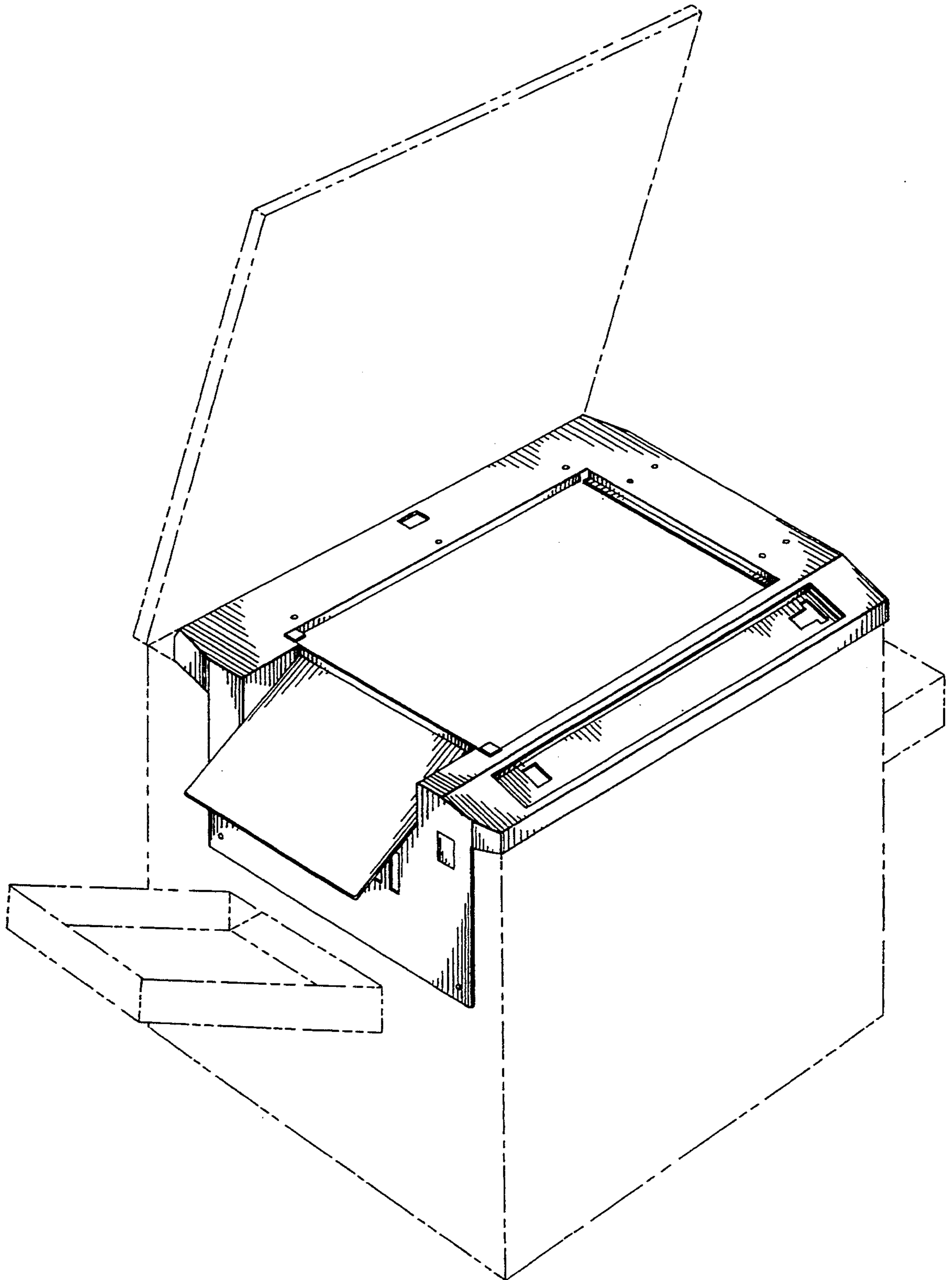


FIG. 1

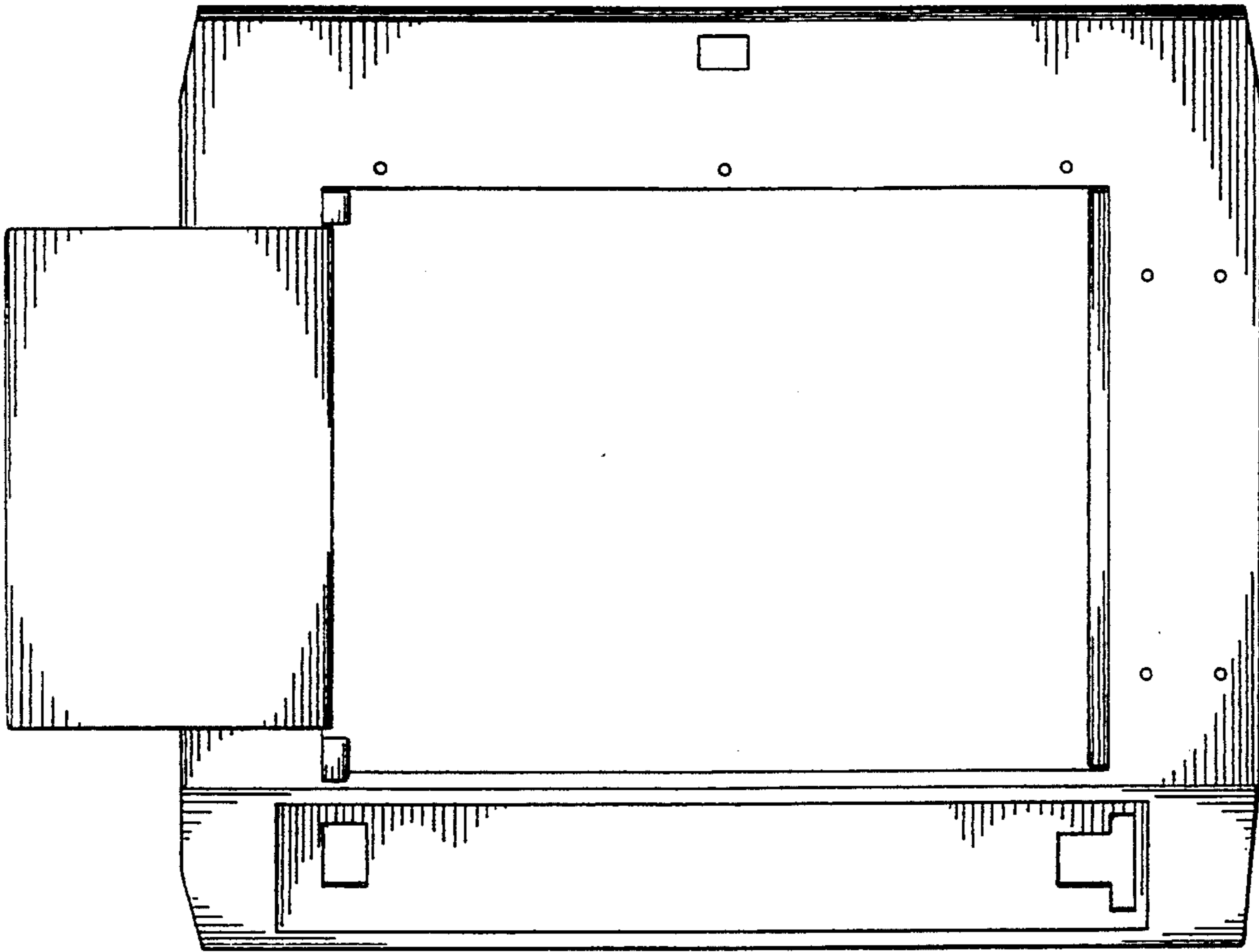


FIG. 2

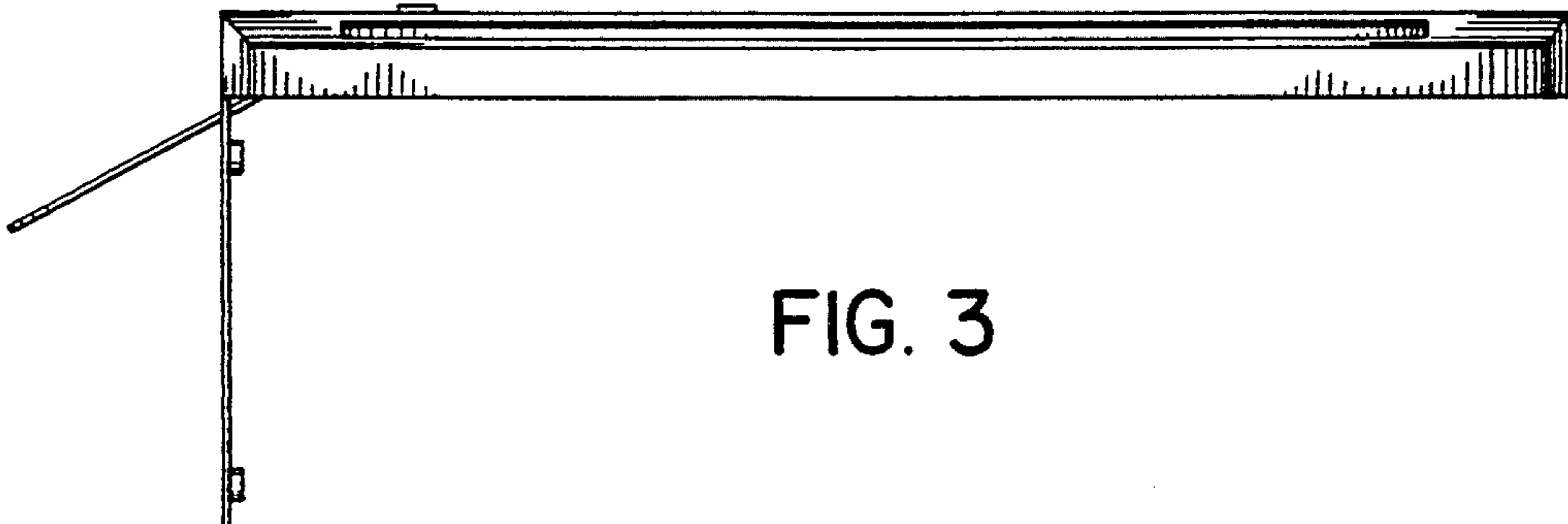


FIG. 3

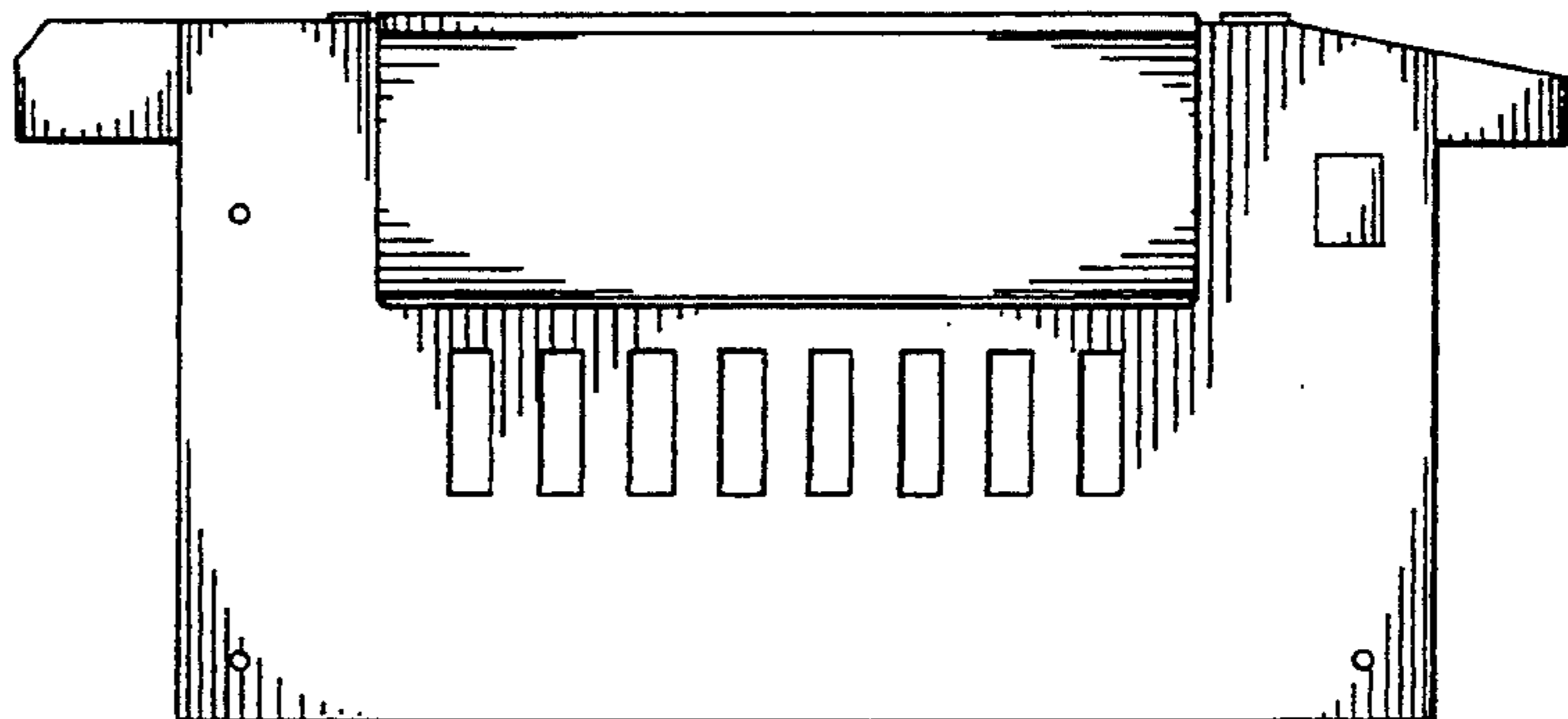


FIG. 4

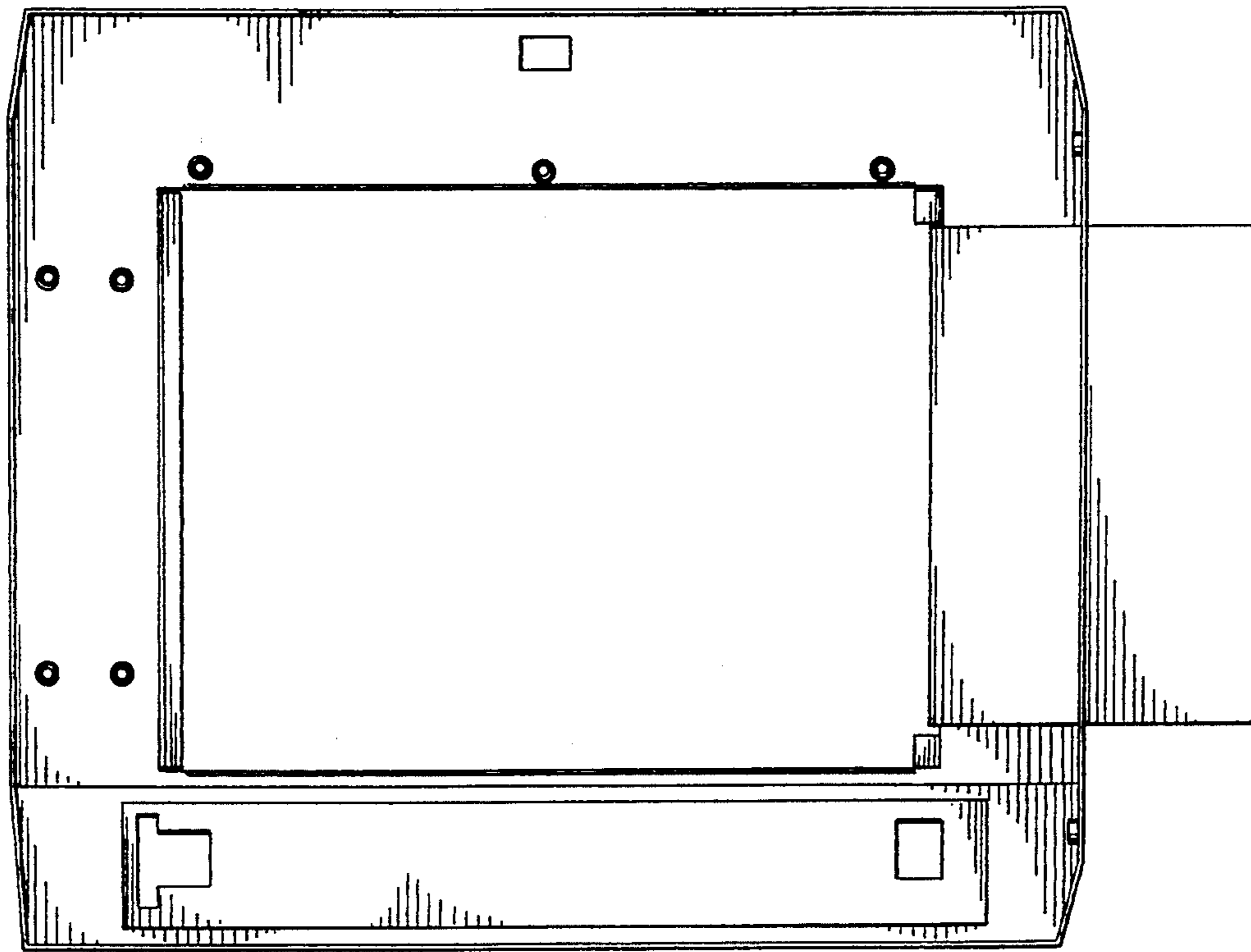


FIG. 5

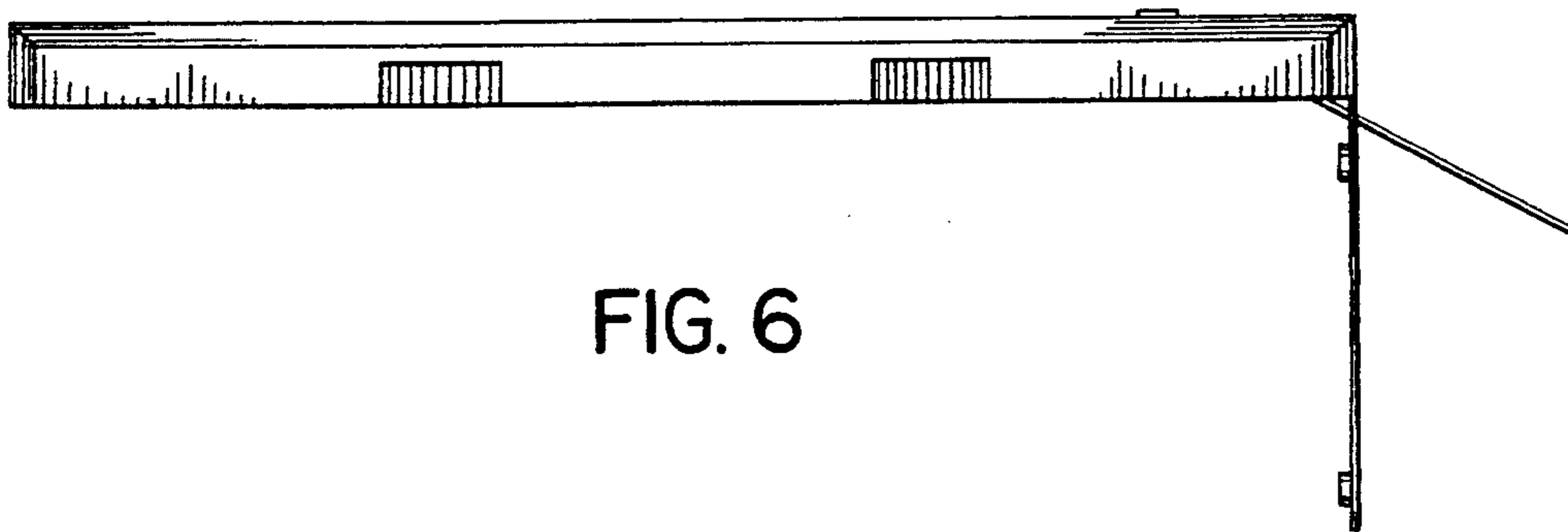


FIG. 6

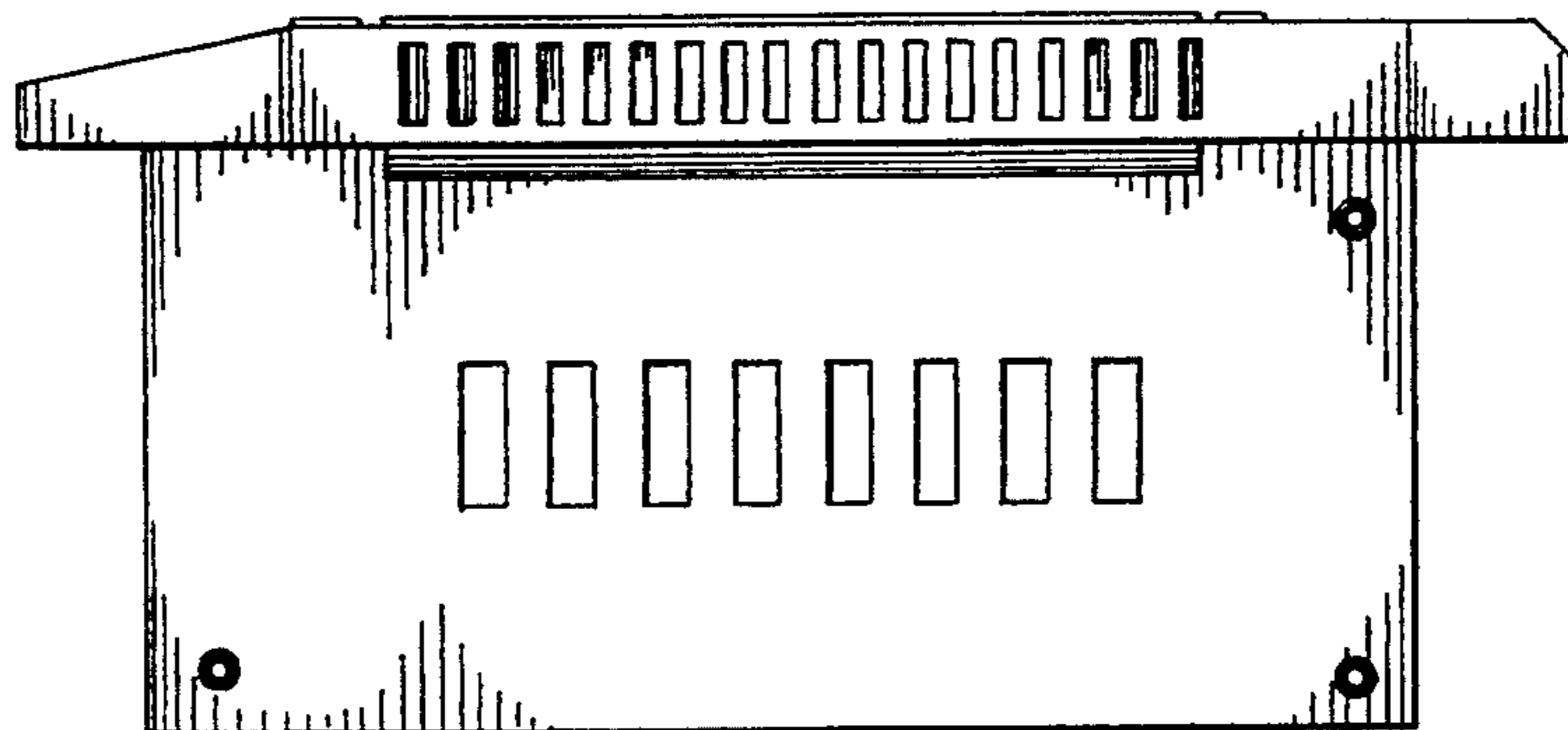


FIG. 7