



US00D353823S

# United States Patent [19]

[11] Patent Number: **Des. 353,823**

Showalter et al.

[45] Date of Patent: **\*\* Dec. 27, 1994**

[54] **NOZZLE INSERT FOR USE IN METAL SCARFING APPARATUS**

[75] Inventors: **Michael S. Showalter; John G. Dawson, Jr., both of Florence; Frank J. Gusky, Quinby, all of S.C.**

[73] Assignee: **The Esab Group, Inc., Florence, S.C.**

[\*\*] Term: **14 Years**

[21] Appl. No.: **8,723**

[22] Filed: **May 25, 1993**

### Related U.S. Application Data

[63] Continuation-in-part of Ser. No. 988,450, Dec. 10, 1992, Pat. No. 5,333,841.

[52] U.S. Cl. .... **D15/139**

[58] Field of Search ..... **D15/138, 139; 266/48, 266/49, 50, 51, 52, 53**

### [56] References Cited

#### U.S. PATENT DOCUMENTS

- D. 266,521 10/1982 Gustafsson ..... D15/138
- D. 282,666 2/1986 Salmi et al. .... D14/138 X
- 2,468,824 5/1949 Hughey ..... 239/552

- 2,496,923 2/1950 Walters et al. .... 239/552
- 2,521,199 9/1950 Babcock ..... 148/9 R
- 2,531,006 11/1950 Smith ..... 239/552
- 4,115,154 9/1978 Fuhrhop ..... 148/9.5
- 4,173,499 11/1979 Hölemann ..... 148/9 R
- 4,455,176 6/1984 Fuhrhop ..... 148/9 R
- 4,501,624 2/1985 Lotz ..... 148/9 R
- 4,765,597 8/1988 Fuhrhop et al. .... 266/51
- 5,234,658 8/1993 Showalter et al. .... 266/51

*Primary Examiner*—Alan P. Douglas

*Assistant Examiner*—Antoine D. Davis

*Attorney, Agent, or Firm*—Bell Seltzer Park & Gibson

### [57] CLAIM

The ornamental design for a nozzle insert for use in metal scarfing apparatus, as shown and described.

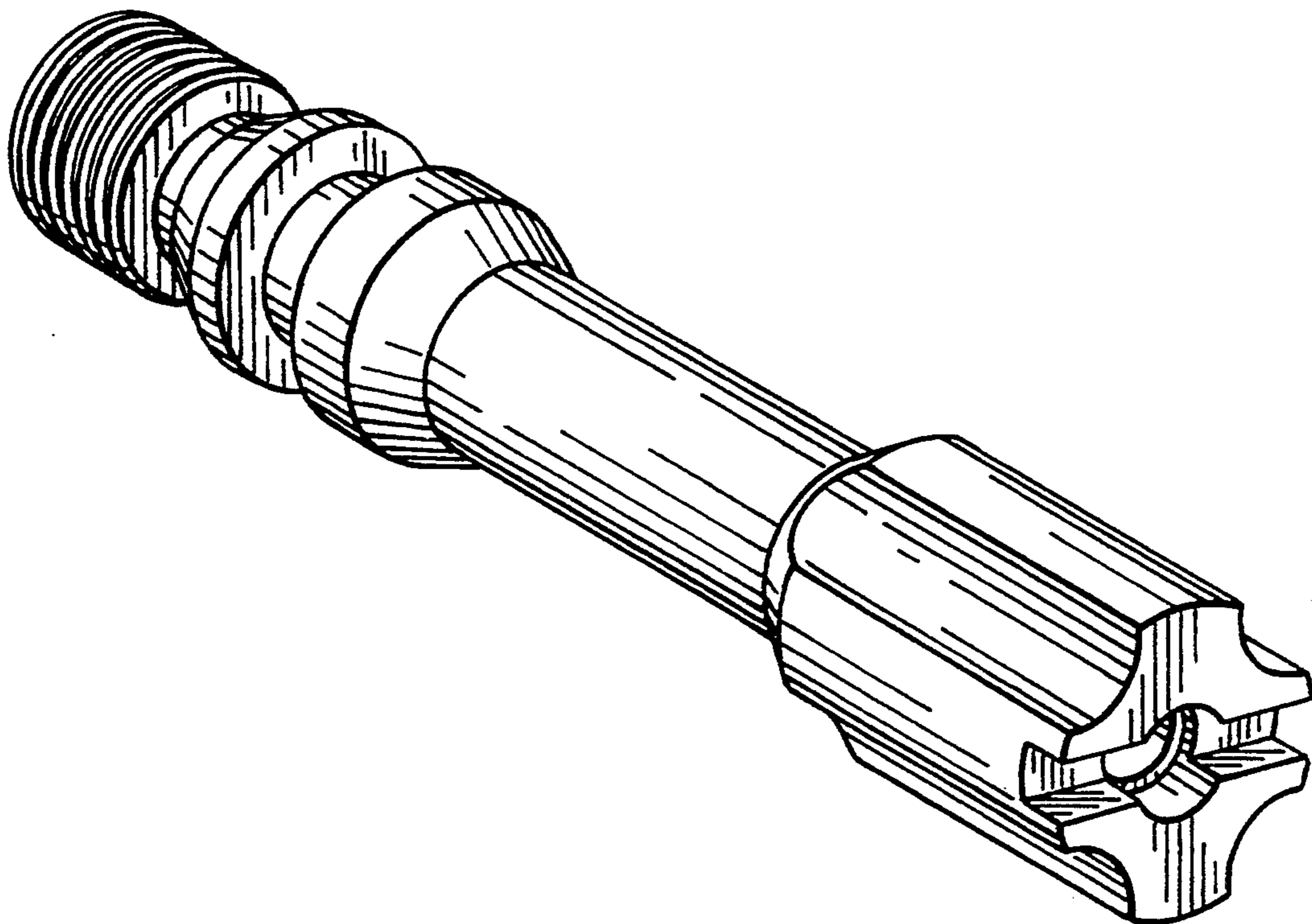
### DESCRIPTION

FIG. 1 is a front perspective view of a nozzle insert for use in a metal scarfing apparatus, embodying our new design;

FIG. 2 is a side elevational view thereof;

FIG. 3 is an end view thereof, looking from the left as seen in FIG. 2; and,

FIG. 4 is an end view thereof, looking from the right as seen in FIG. 2.



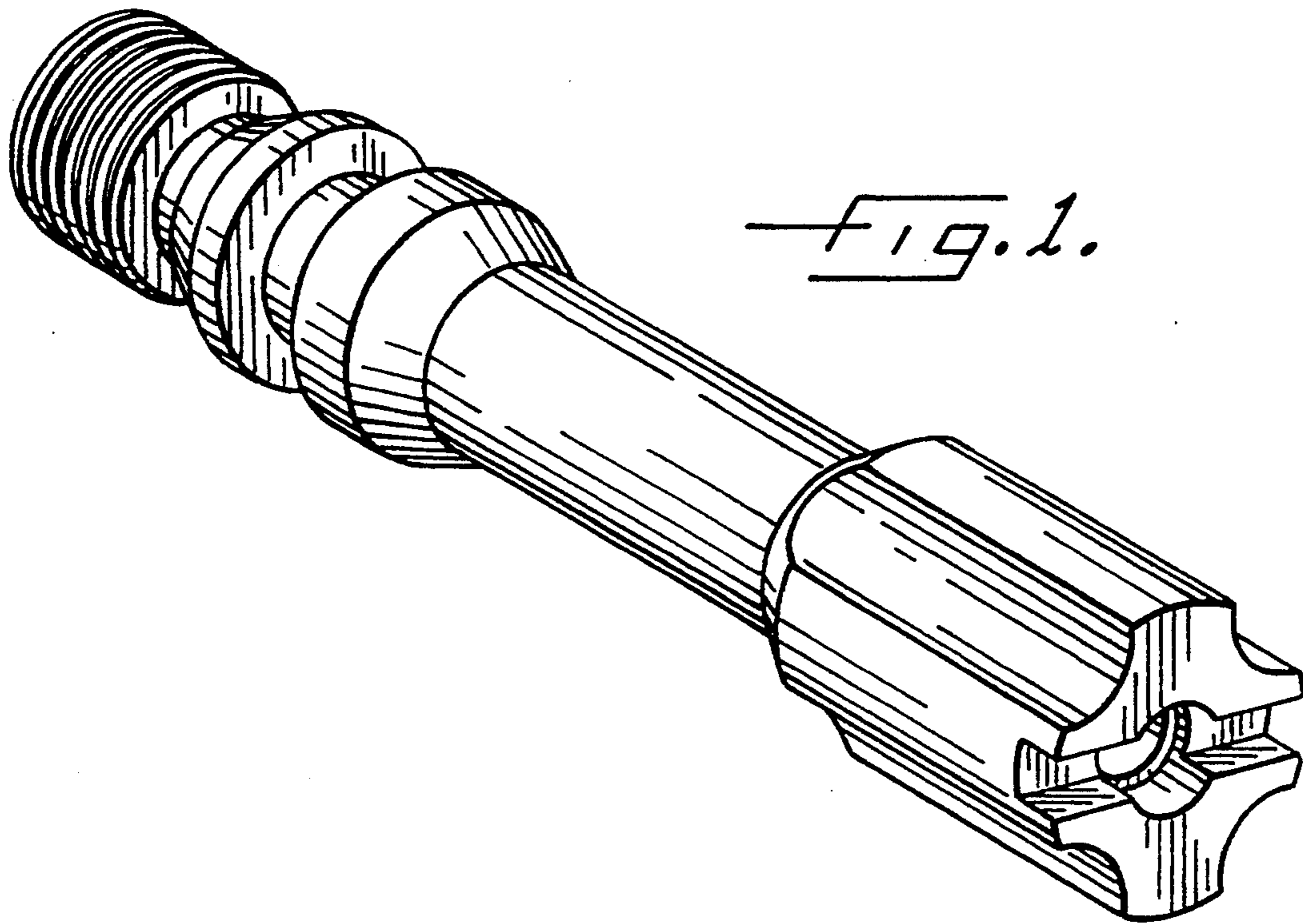


FIG. 1.

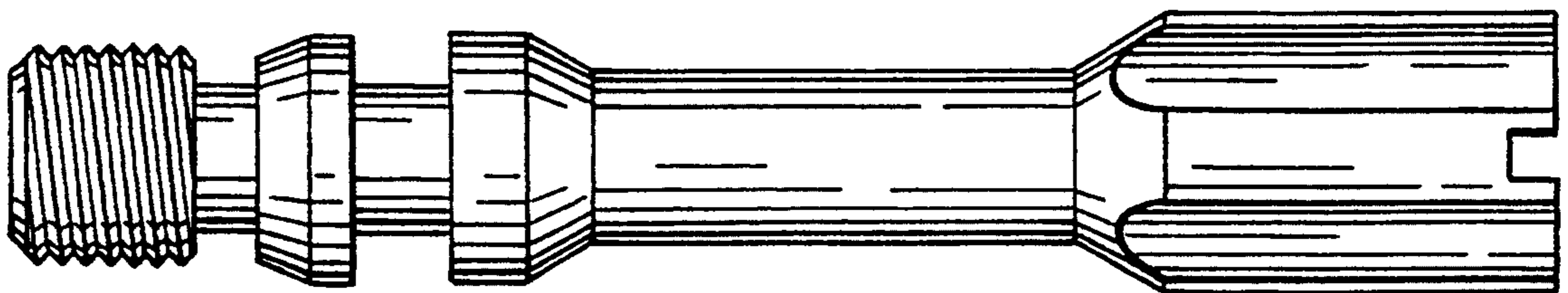


FIG. 2.

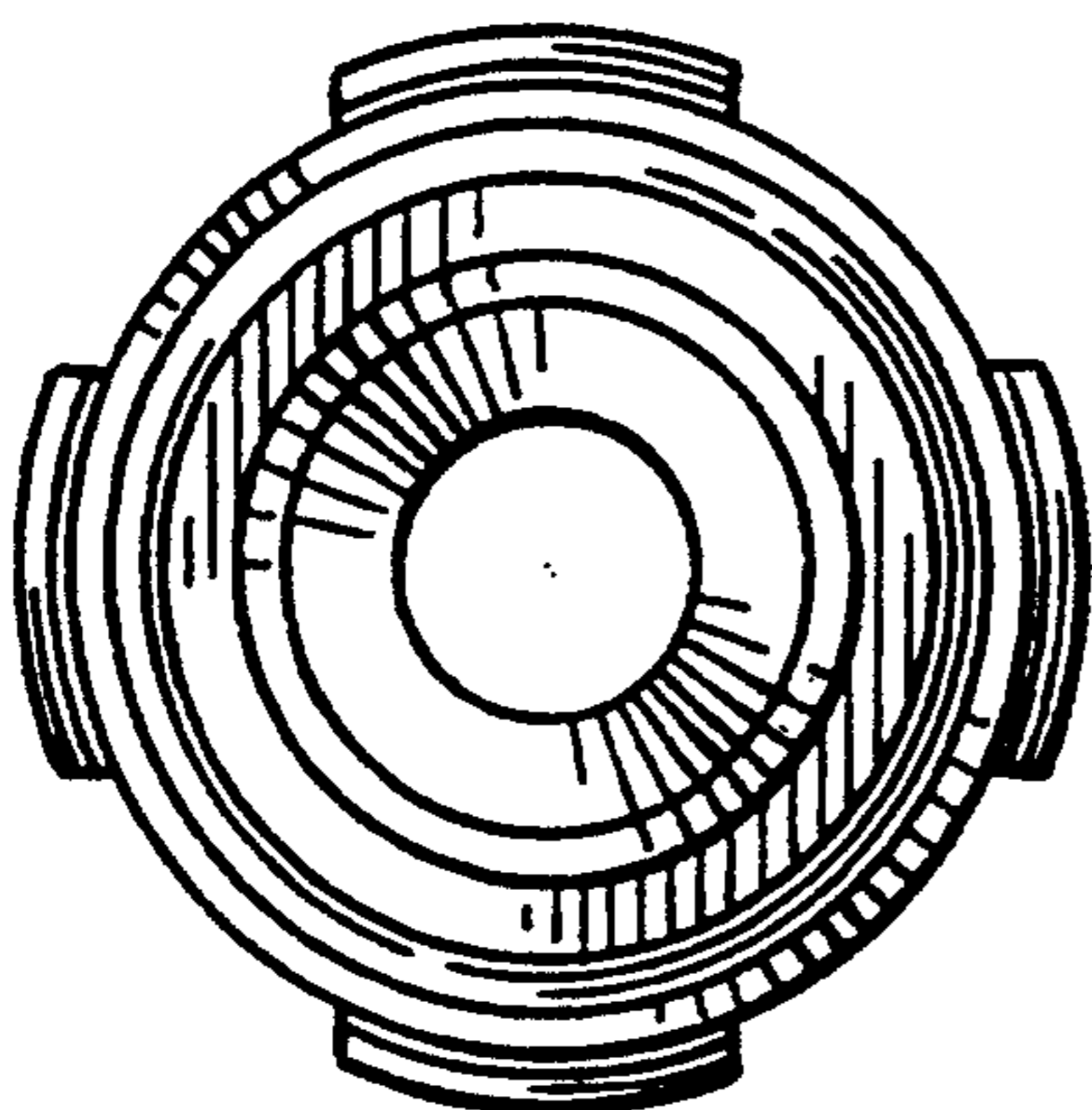


FIG. 3.

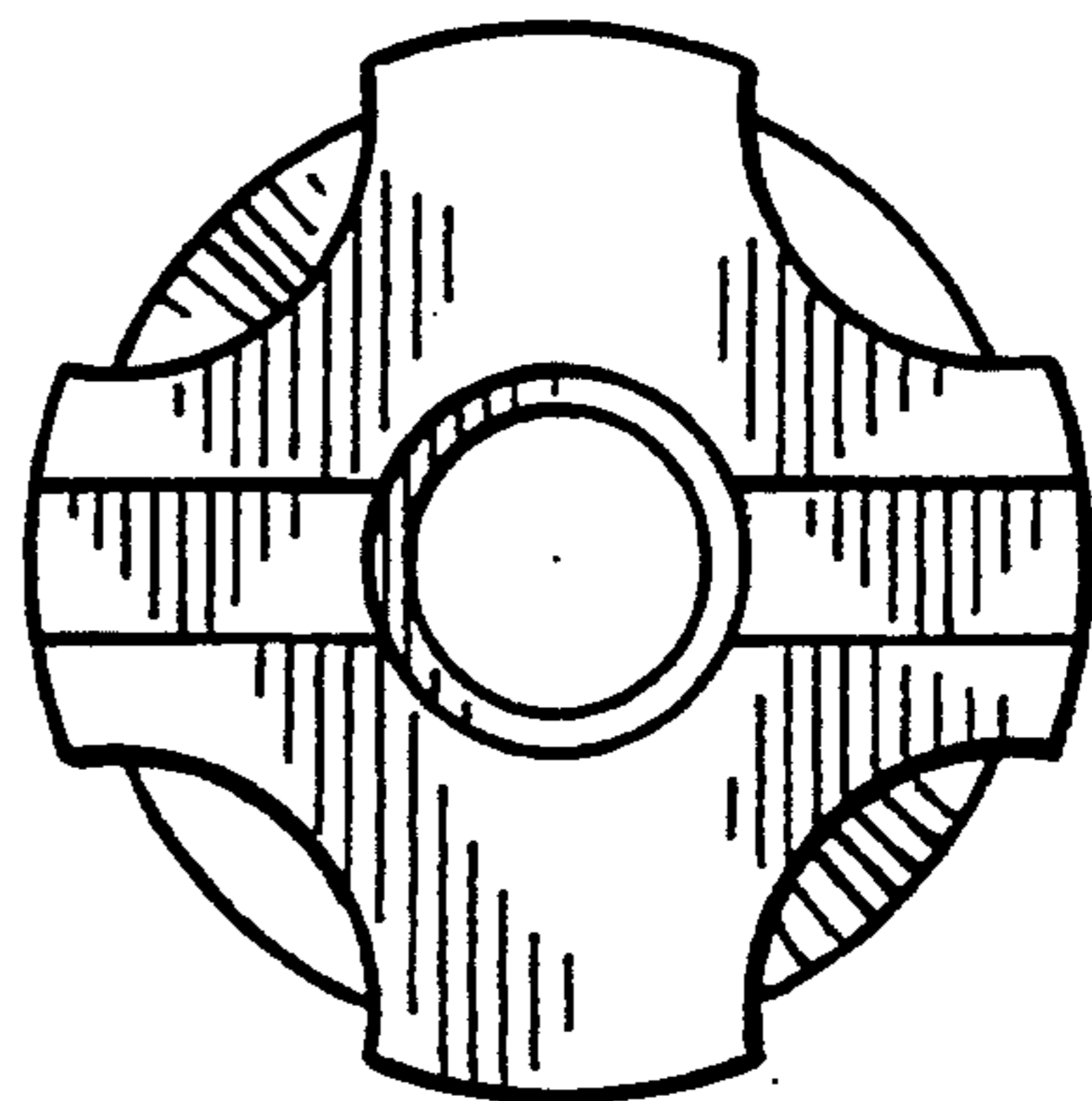


FIG. 4.