



US00D353815S

# United States Patent [19]

[11] Patent Number: **Des. 353,815**

Mo

[45] Date of Patent: **\*\* Dec. 27, 1994**

[54] TELEPHONE

[75] Inventor: Michael Mo, Taipei Hsien,

[73] Assignee: Dialer & Business Electronics Co., Ltd., Taipei Hsien,

[\*\*] Term: 14 Years

[21] Appl. No.: 12,650

[22] Filed: Sep. 7, 1993

[52] U.S. Cl. .... D14/151

[58] Field of Search ..... D14/137, 138, 140, 142, D14/149-151, 240, 241; 379/419, 420, 428, 440, 433-436

D. 331,583	12/1992	Gallagher	.....	D14/142 X
D. 334,932	4/1993	Yu	.....	D14/151
D. 339,132	9/1993	Roegner	.....	D14/151
D. 339,133	9/1993	Roegner	.....	D14/151

Primary Examiner—Alan P. Douglas  
Assistant Examiner—Jeffrey Asch  
Attorney, Agent, or Firm—Bacon & Thomas

### [57] CLAIM

The ornamental design for a telephone, as shown and described.

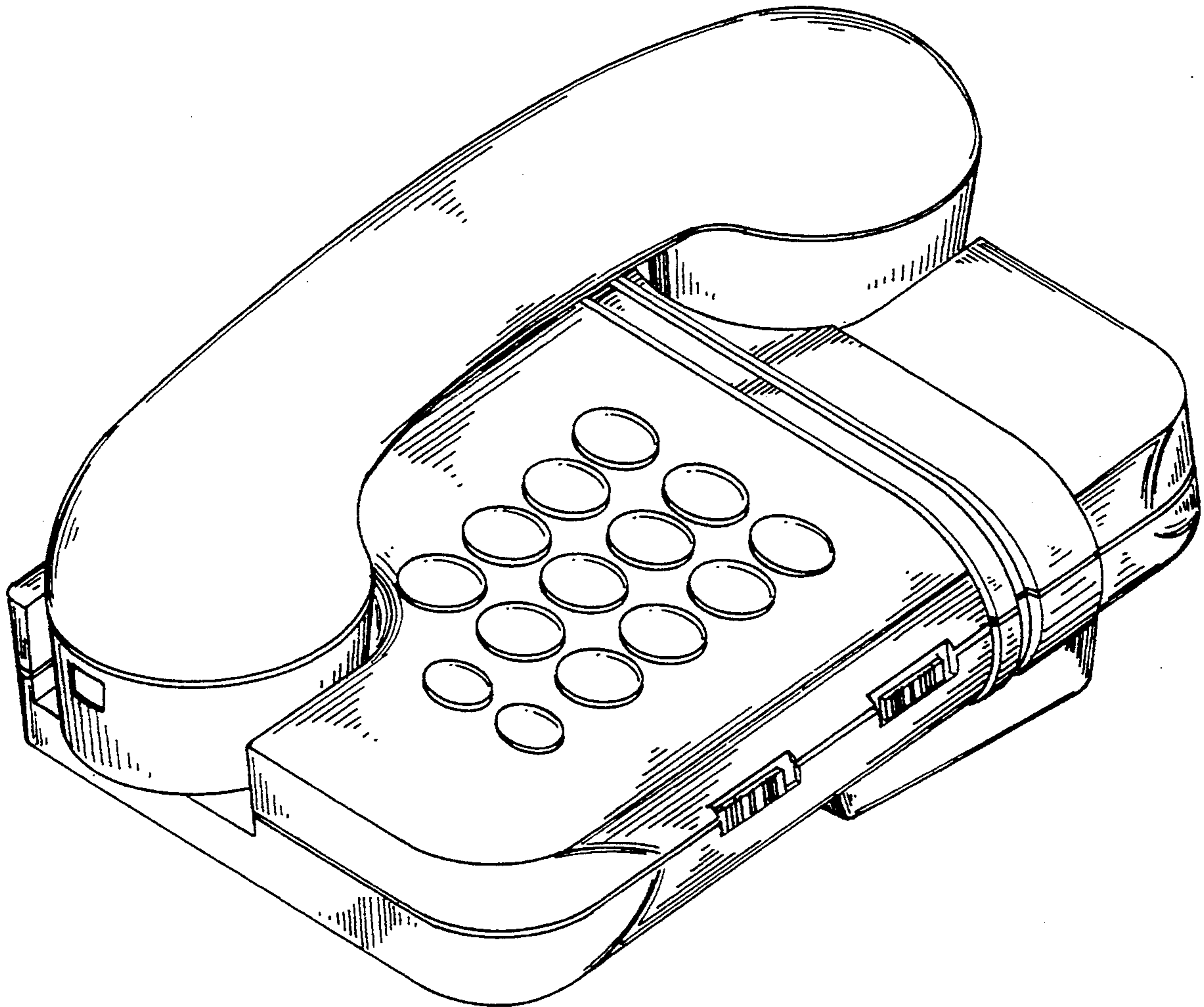
### DESCRIPTION

FIG. 1 is a perspective view of a telephone showing my new design;  
FIG. 2 is a front elevational view thereof;  
FIG. 3 is a rear elevational view thereof;  
FIG. 4 is a side elevational view thereof;  
FIG. 5 is an elevational view of the side opposite to FIG. 4;  
FIG. 6 is a top plan view thereof; and,  
FIG. 7 is a bottom plan view thereof.

### [56] References Cited

#### U.S. PATENT DOCUMENTS

D. 293,103	12/1987	Gauffin et al.	.....	D14/151
D. 298,320	11/1988	Hirose et al.	.....	D14/151
D. 303,388	9/1989	Mo	.....	D14/151
D. 307,426	4/1990	Ohta et al.	.....	D14/151 X
D. 328,071	7/1992	Wu	.....	D14/150



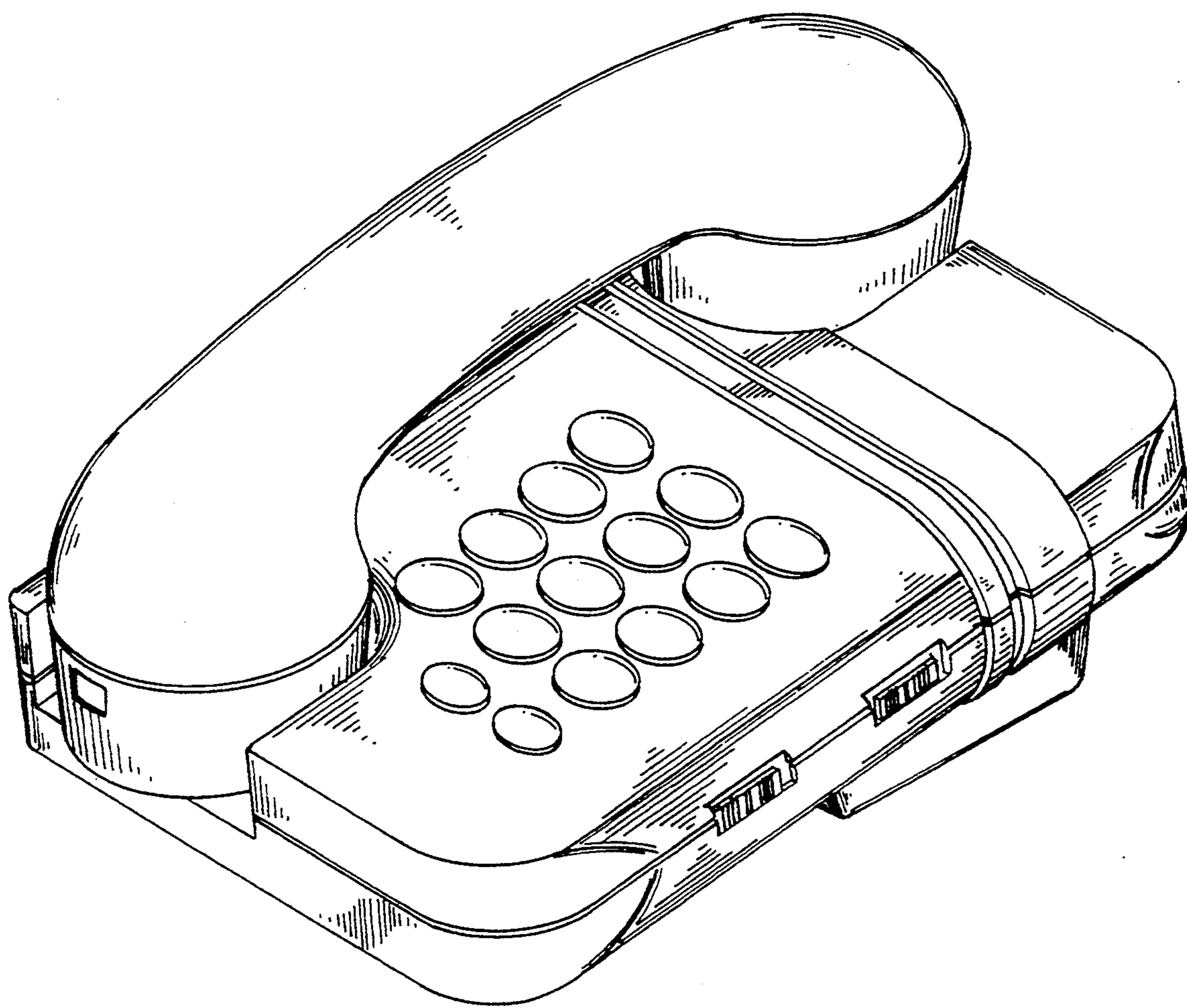


FIG 1

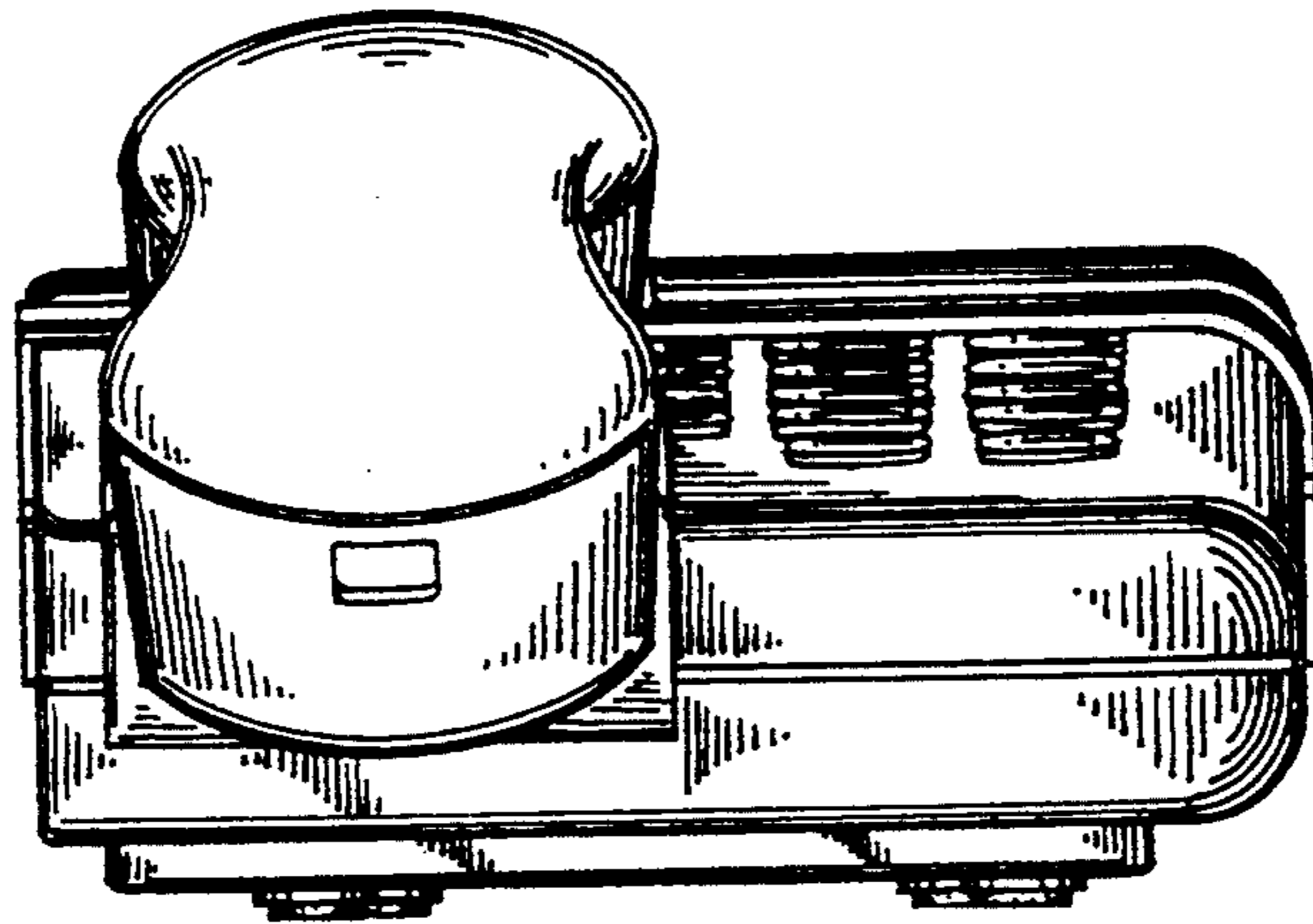


FIG 2

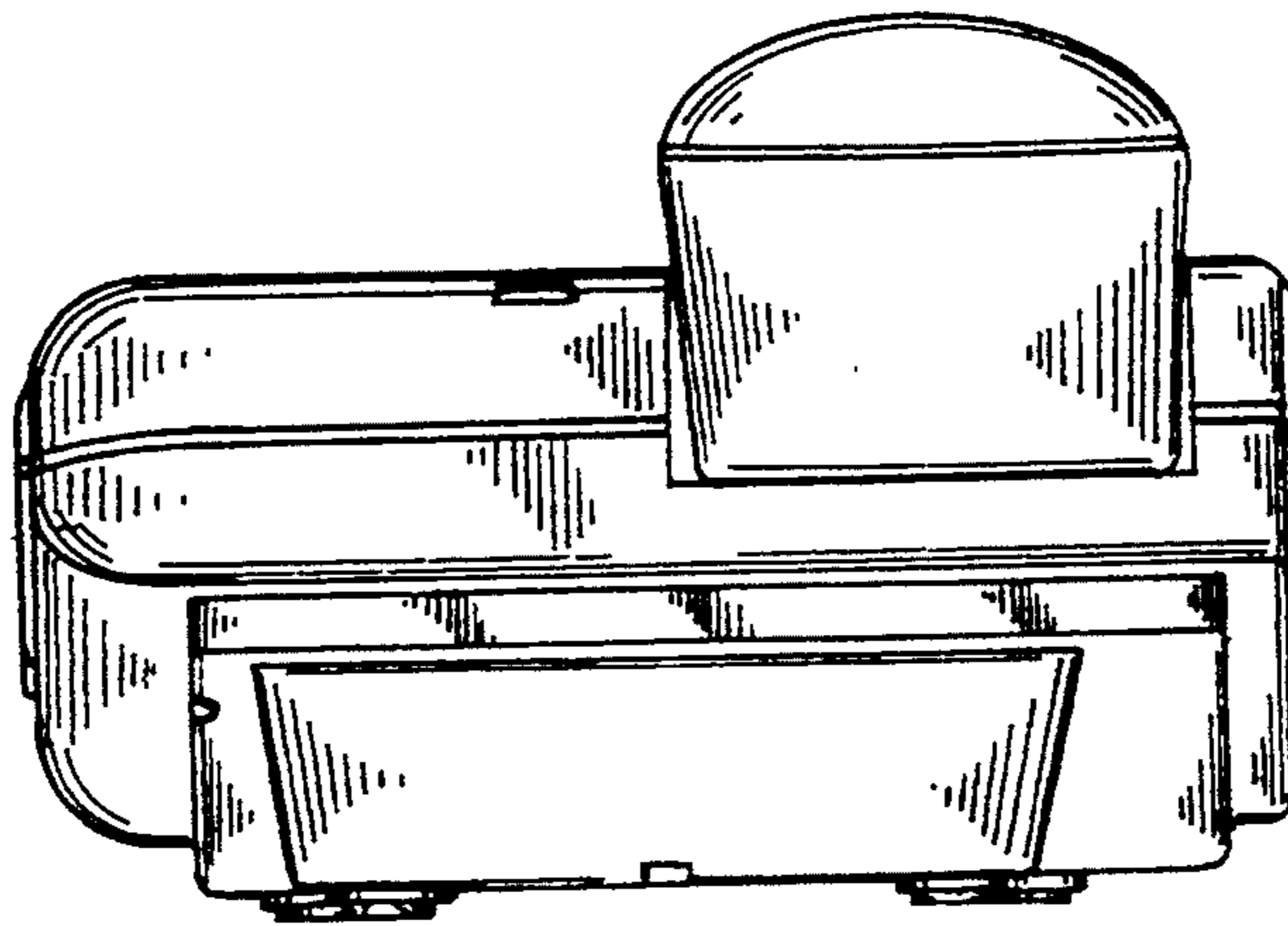


FIG 3

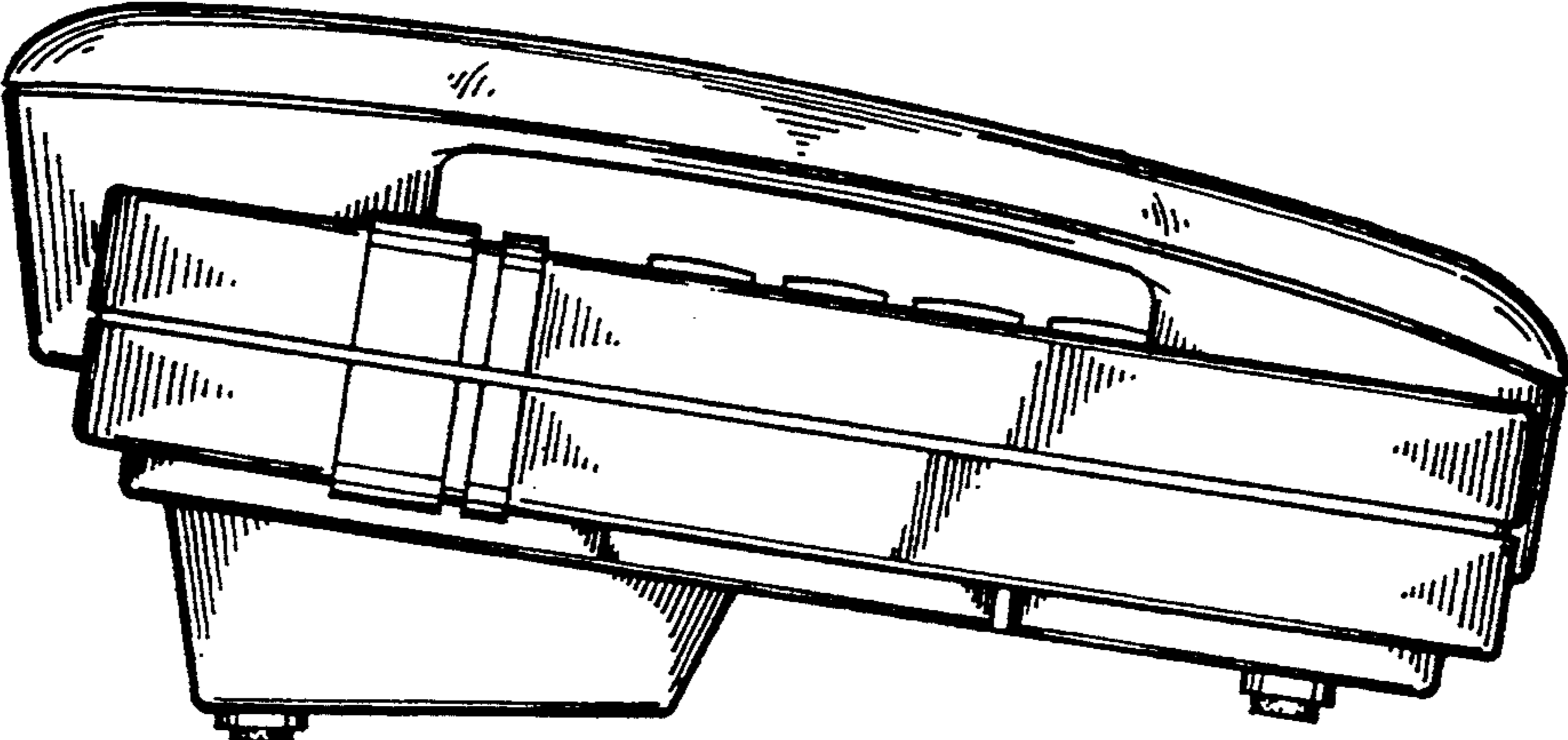


FIG 4

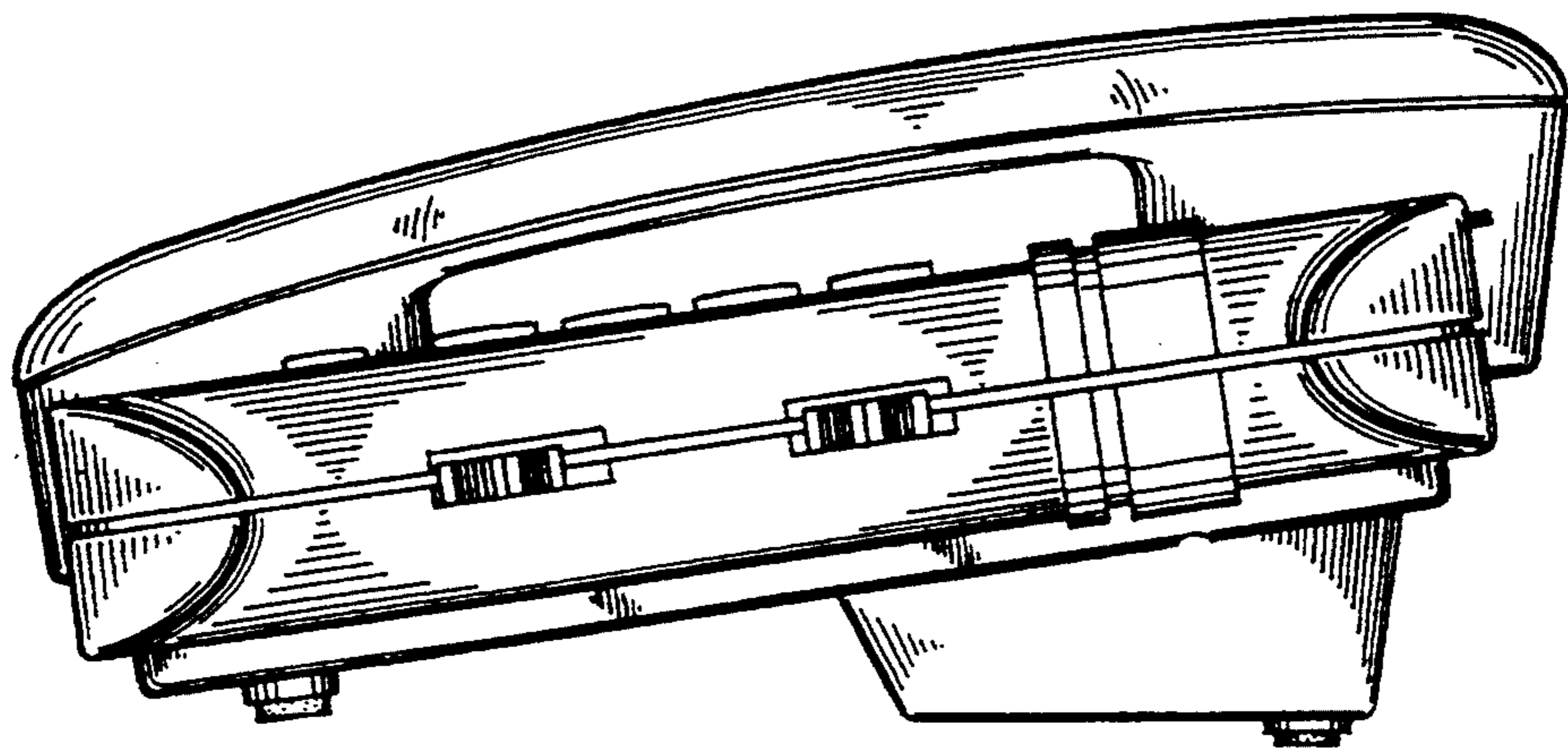


FIG 5

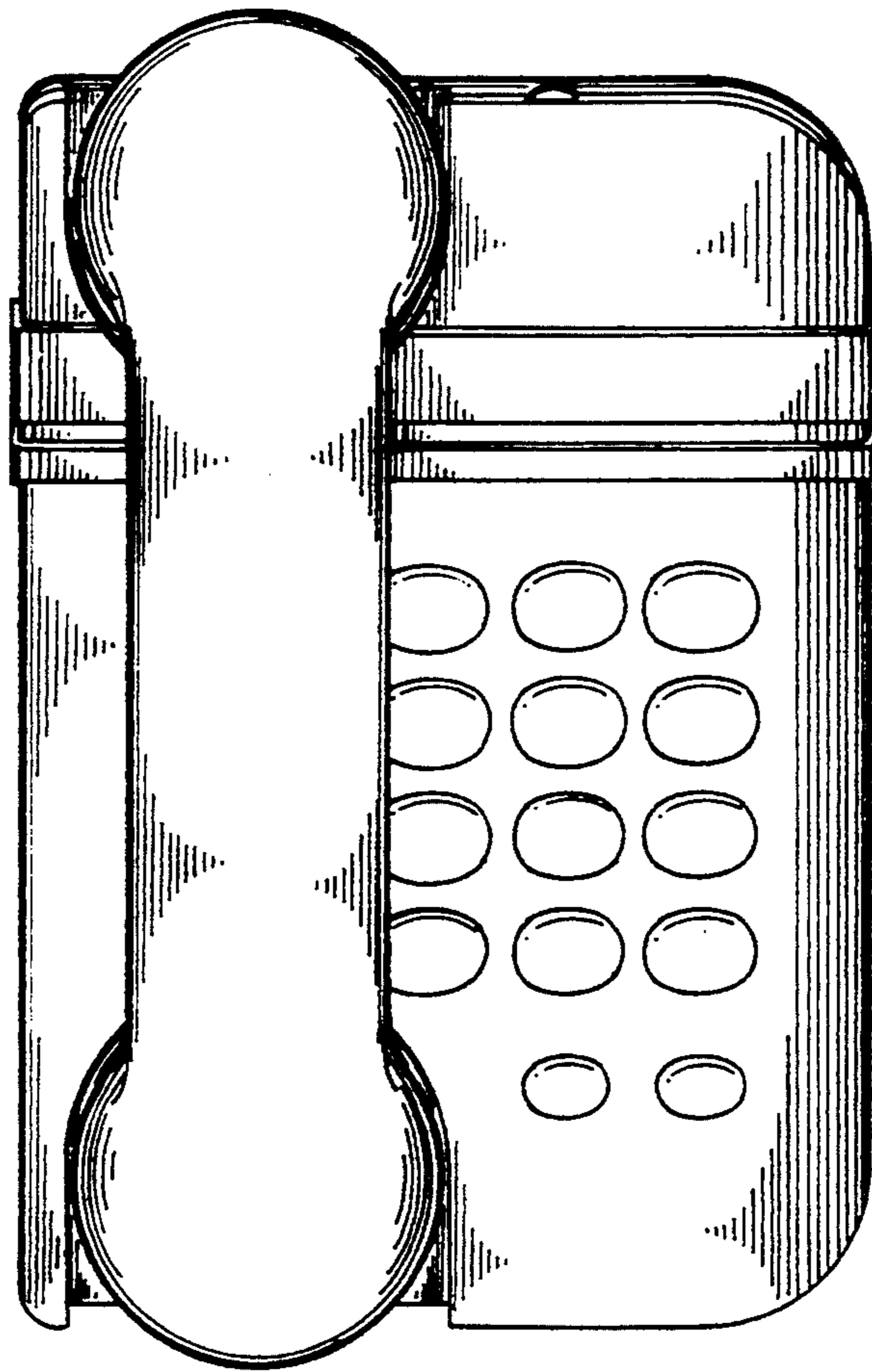


FIG 6

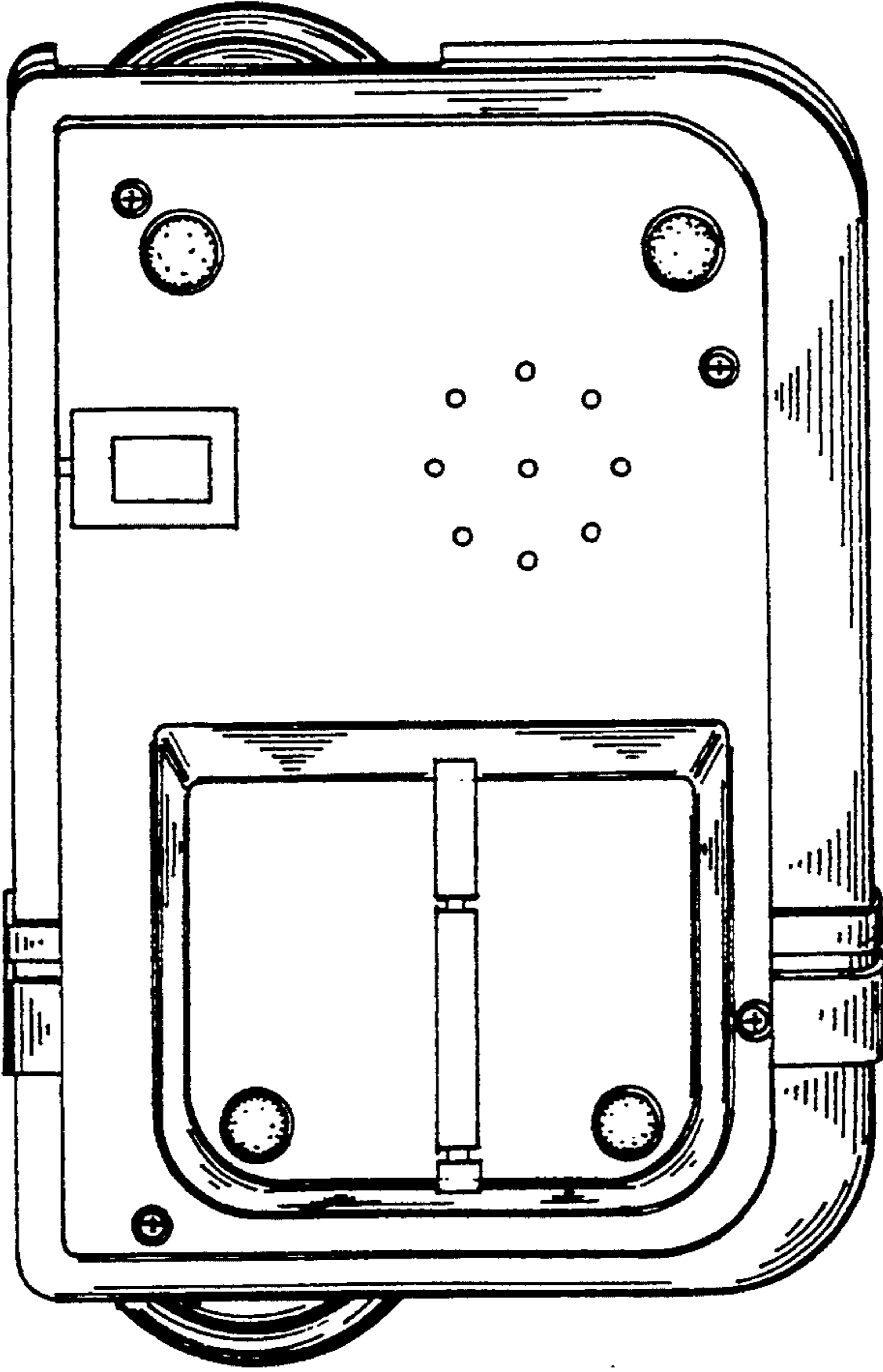


FIG 7