



US00D353802S

United States Patent [19] Jasinski

[11] Patent Number: **Des. 353,802**

[45] Date of Patent: **** Dec. 27, 1994**

[54] **PERSONAL COMPUTER ENCLOSURE**

D. 308,517 6/1990 Horie D14/100 X

[75] Inventor: **Joseph E. Jasinski**, Delray Beach, Fla.

Primary Examiner—Freda S. Nunn
Attorney, Agent, or Firm—Bernard D. Bogdon

[73] Assignee: **International Business Machines Incorporated**, Armonk, N.Y.

[57] CLAIM

[**] Term: **14 Years**

The ornamental design for the personal computer enclosure, as shown and described.

[21] Appl. No.: **6,575**

DESCRIPTION

[22] Filed: **Mar. 31, 1993**

[52] U.S. Cl. **D14/100; D14/109**

[58] Field of Search D6/421, 423; 312/208.1, 312/223.2, 223.3194; 360/99.12; 361/622, 724, 727; 371/11.1; D14/100, 102, 108, 109; D13/162, 184, 199

FIG. 1 is a front, top and left side perspective view of the personal computer enclosure showing my new design;

FIG. 2 is a front elevational view thereof on an enlarged scale;

FIG. 3 is a left side elevational view thereof;

FIG. 4 is a right side elevational view thereof;

FIG. 5 is a top plan view thereof on an enlarged scale;

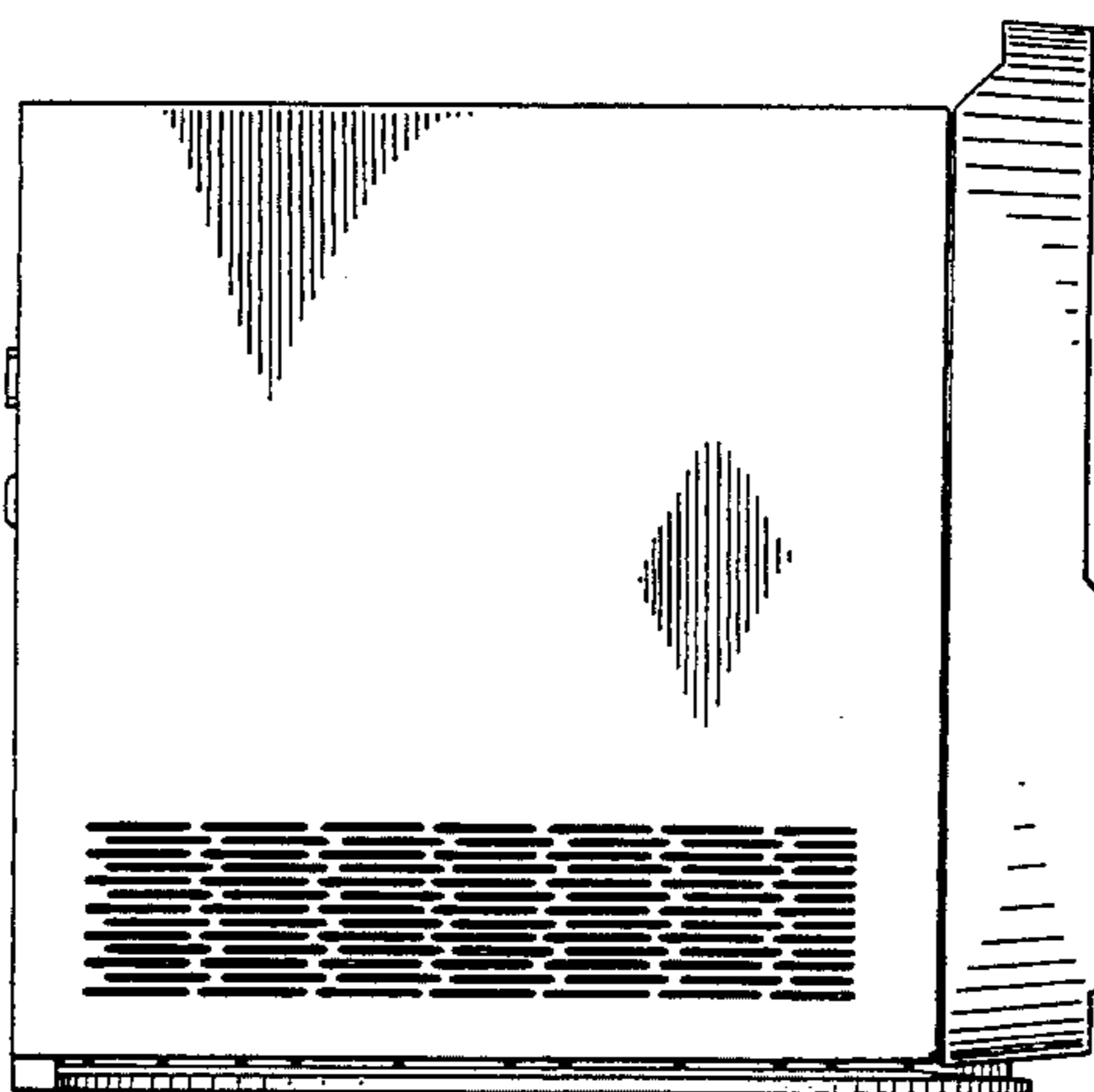
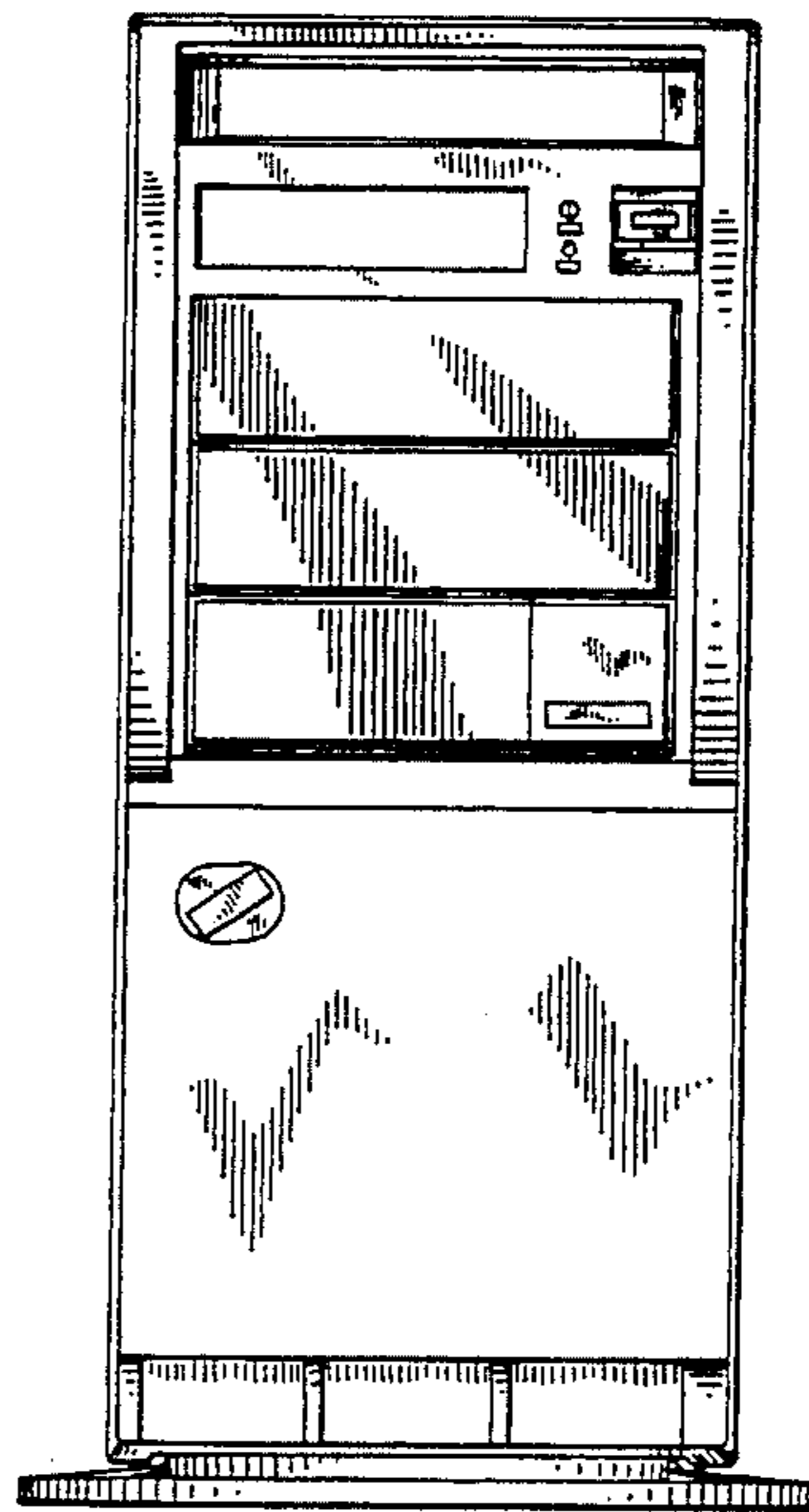
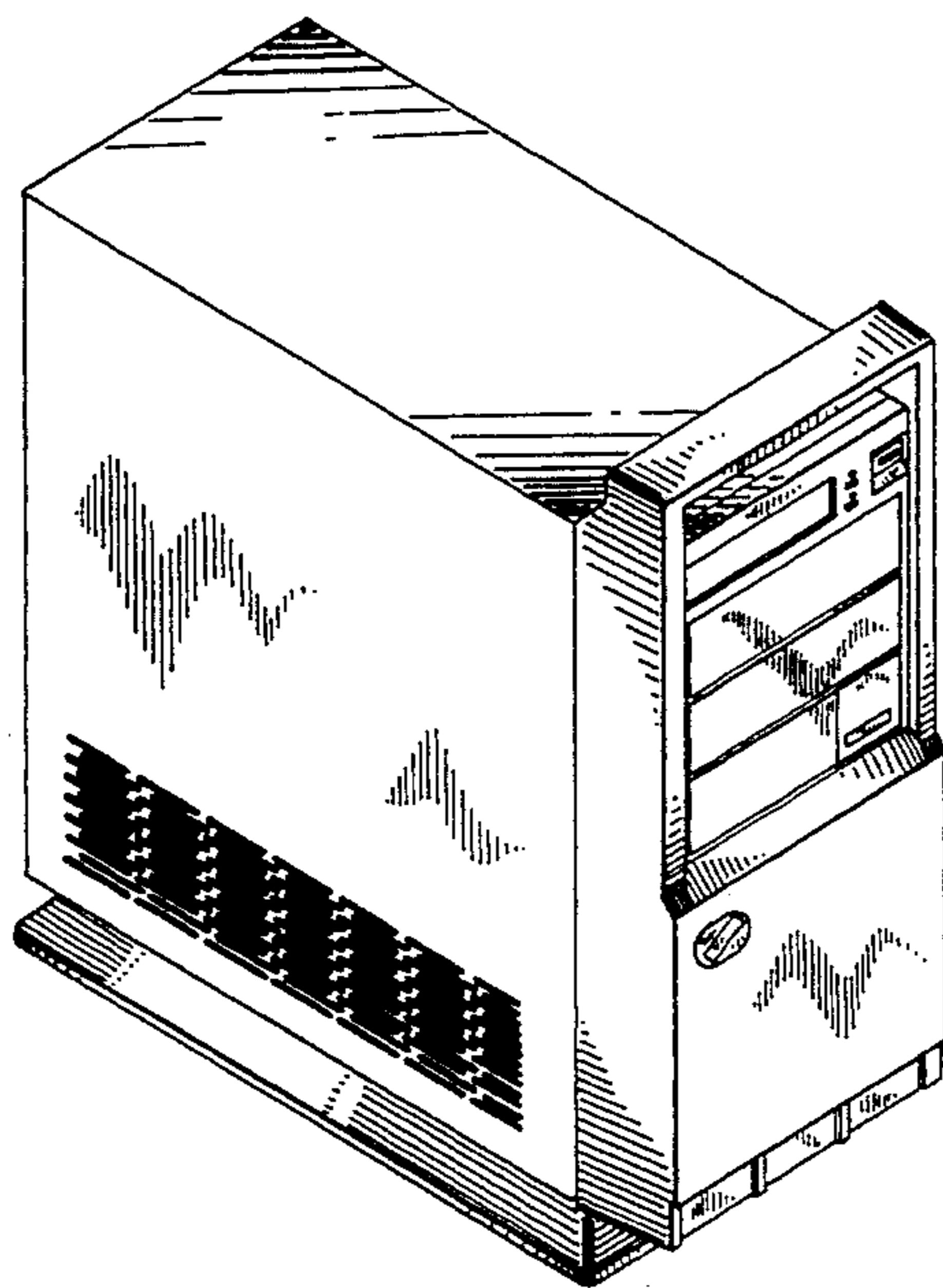
FIG. 6 is a back elevational view thereof on an enlarged scale; and,

FIG. 7 is a bottom plan view thereof on an enlarged scale.

[56] References Cited

U.S. PATENT DOCUMENTS

D. 308,515 6/1990 Stead D14/100



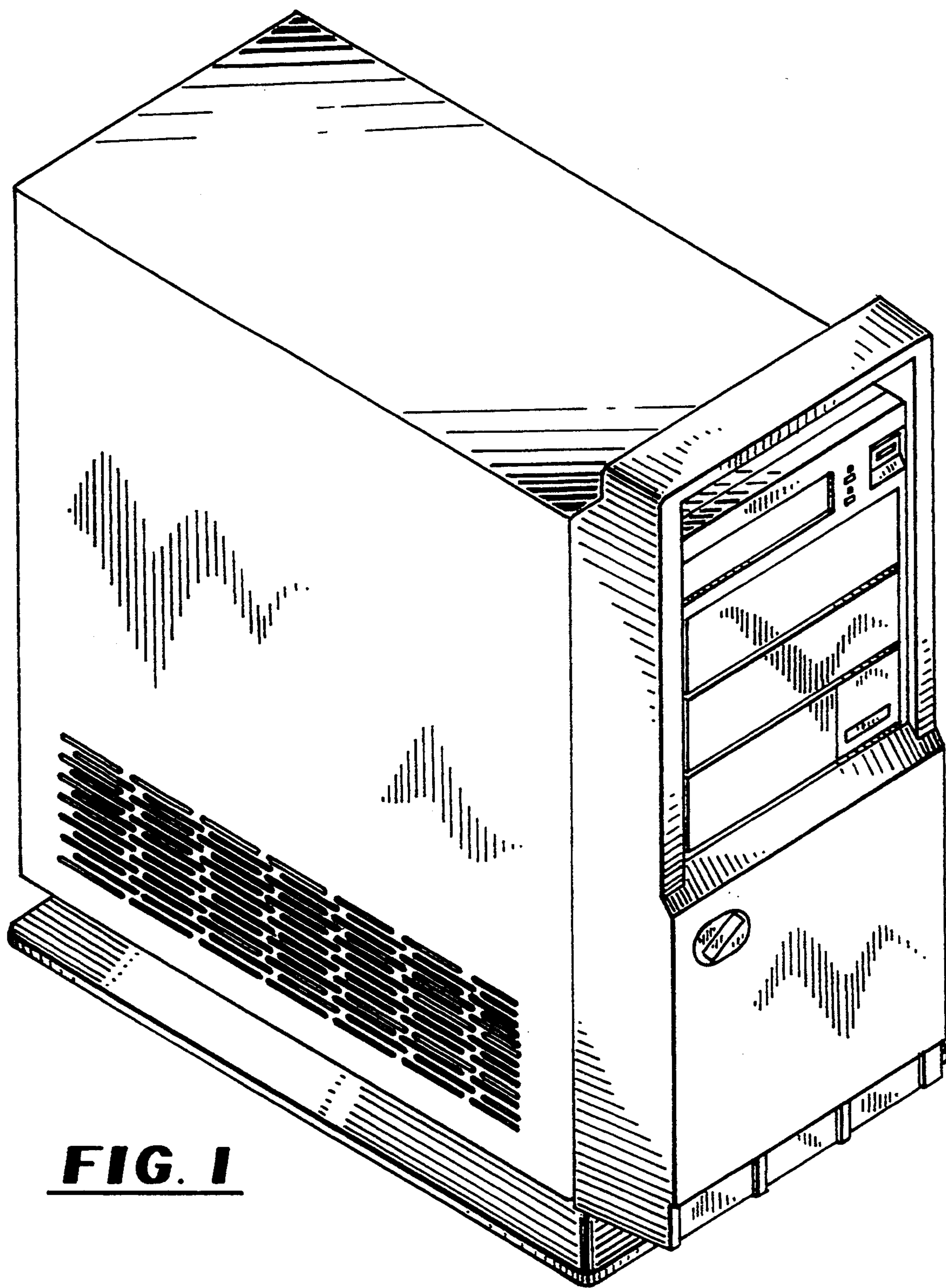


FIG. 1

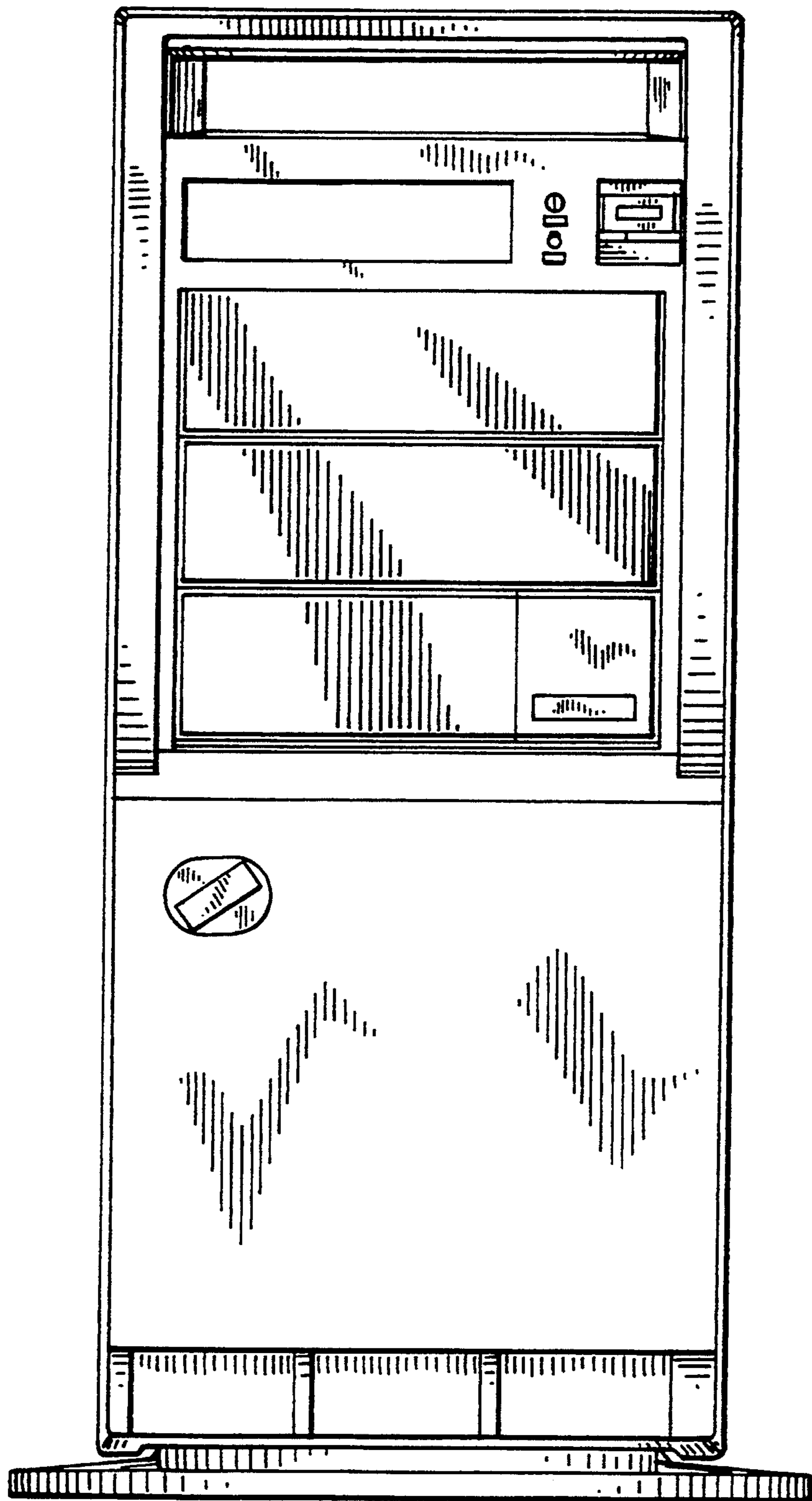
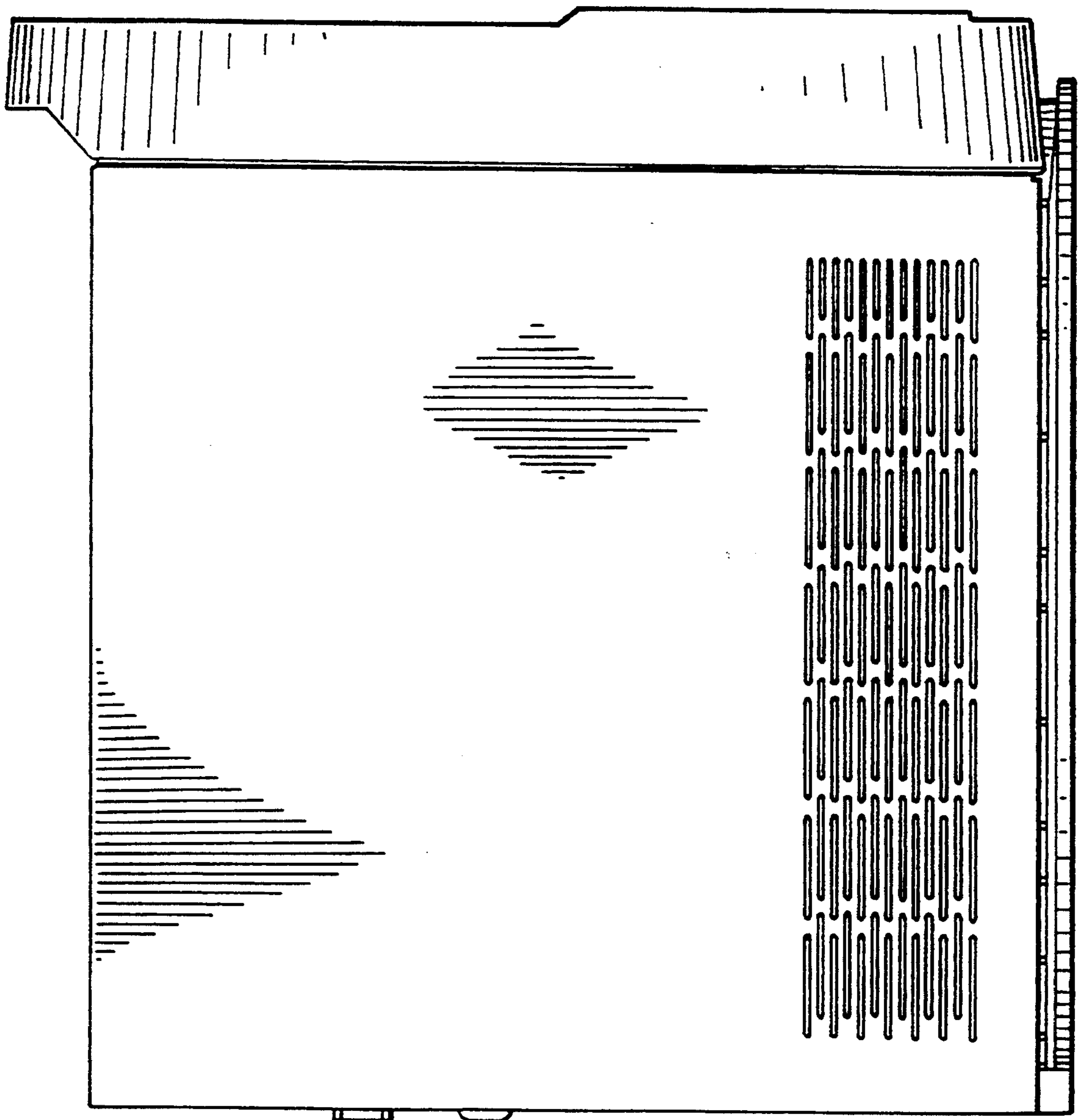


FIG. 2

FIG. 3



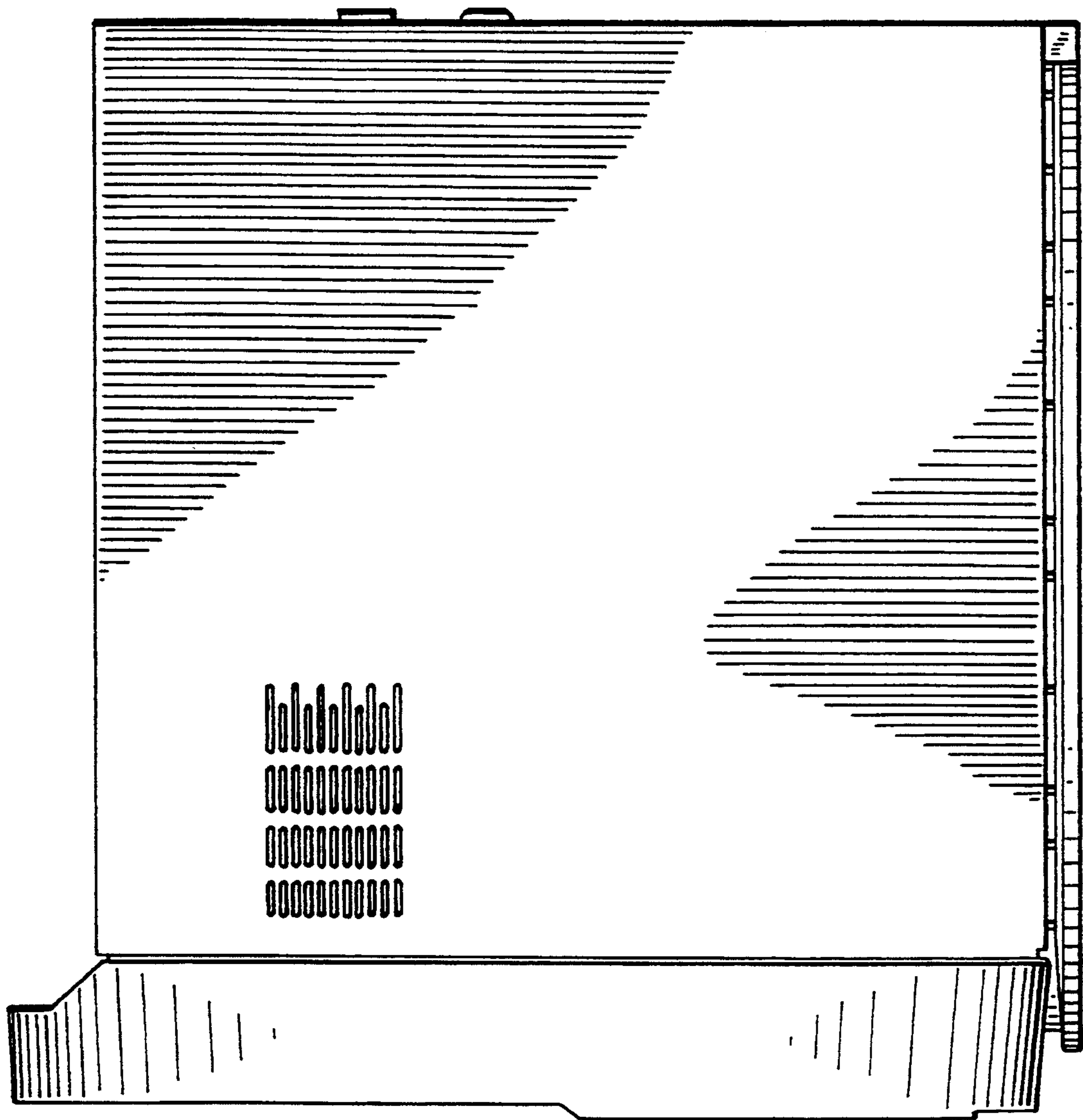


FIG. 4

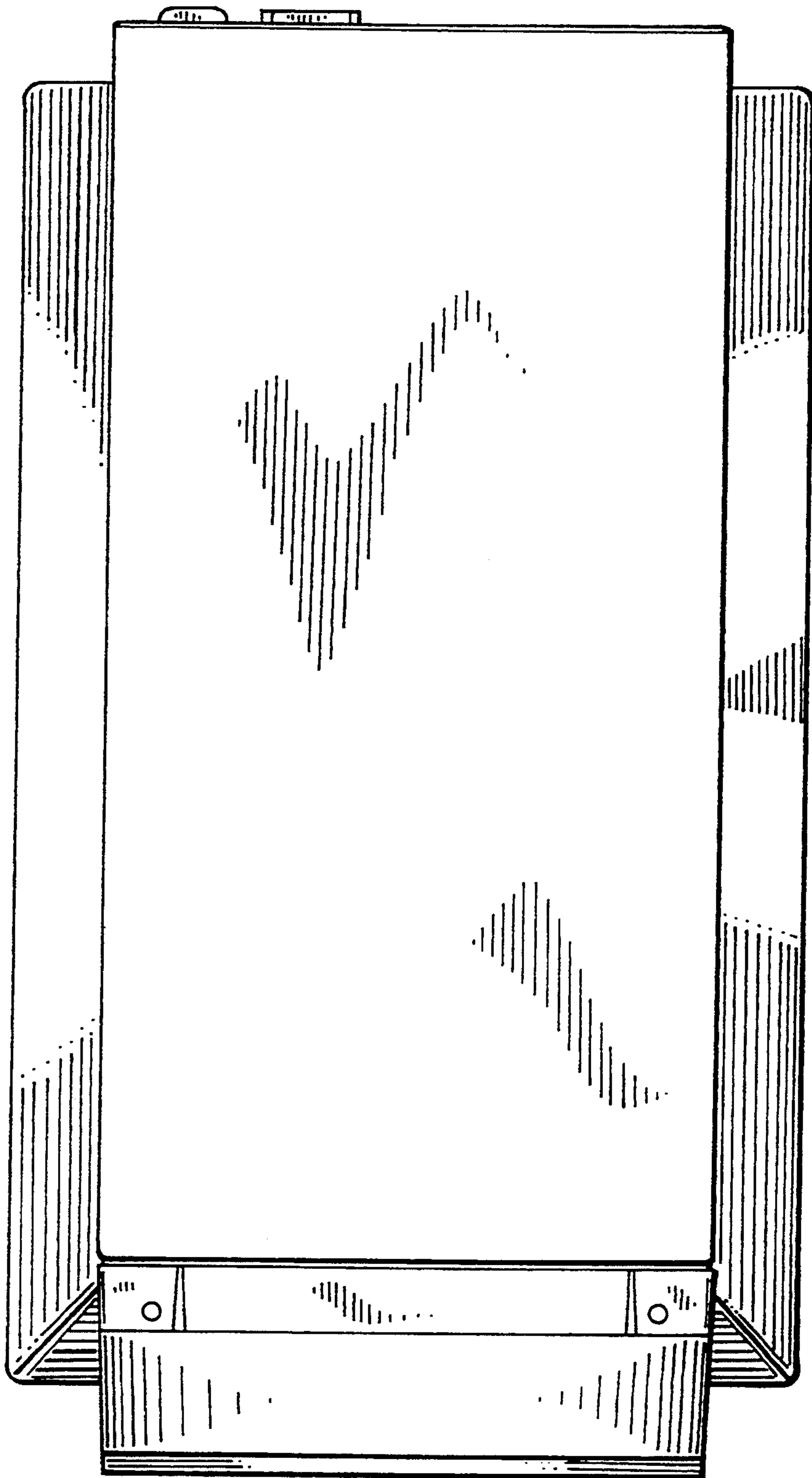


FIG. 5

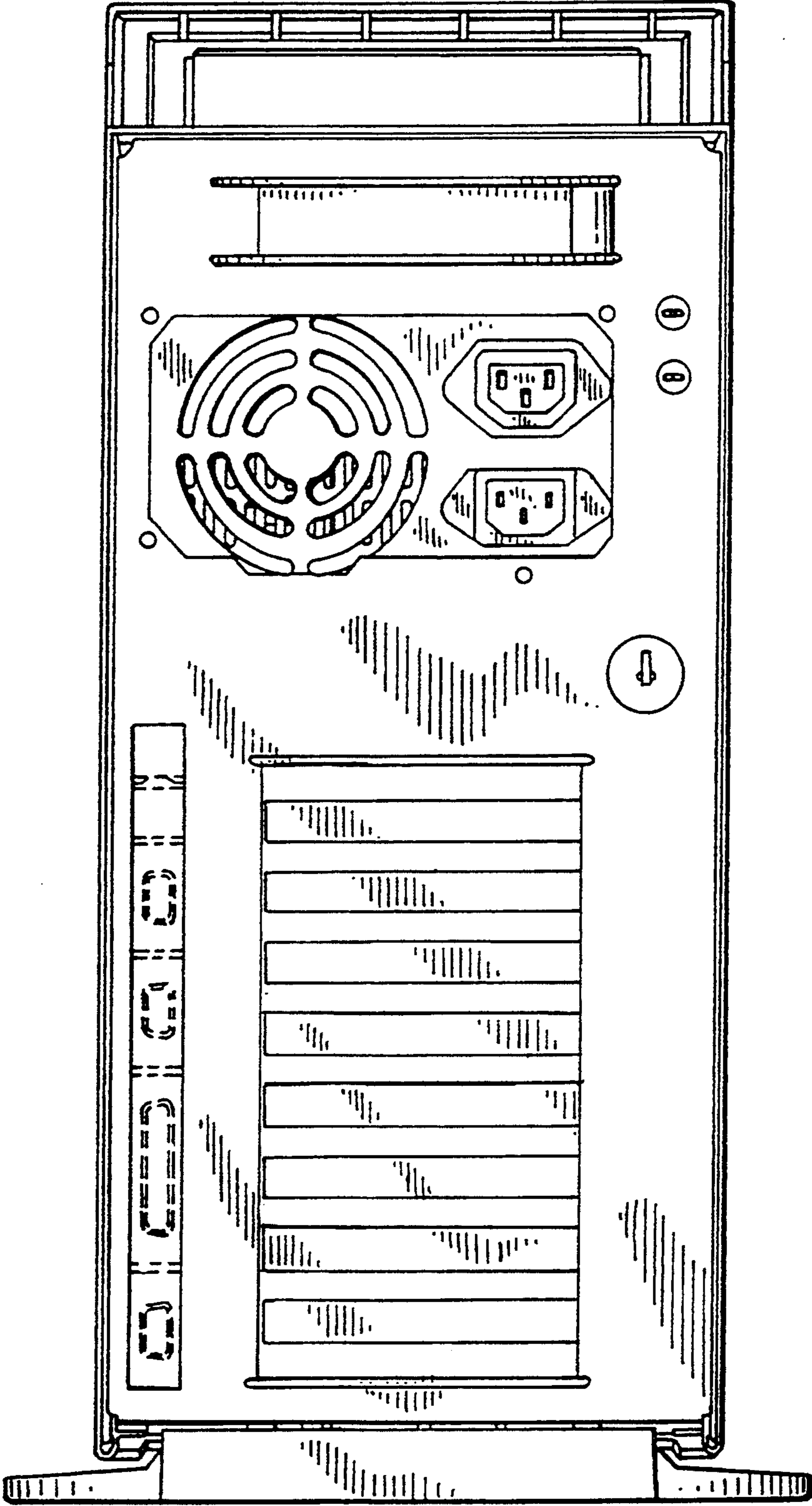


FIG. 6

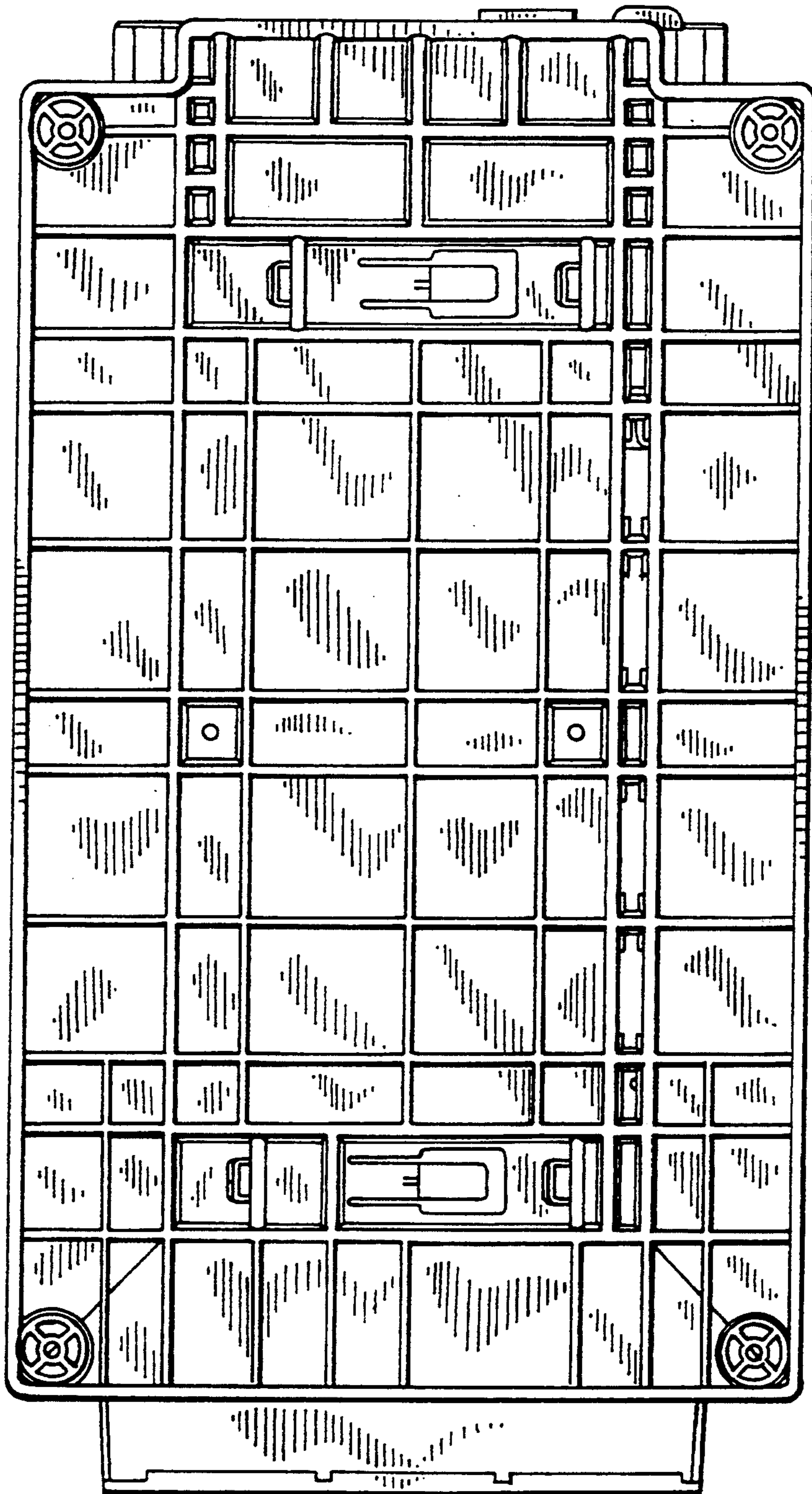


FIG. 7