



US00D353800S

United States Patent [19]

[11] Patent Number: **Des. 353,800**

Lewis et al.

[45] Date of Patent: **** Dec. 27, 1994**

[54] **MODULAR ENCLOSURE FOR ELECTRONIC EQUIPMENT**

[75] Inventors: **Mark S. Lewis; Lori A. Treseder**, both of Colorado Springs; **Ralph M. Tusler**, Monument; **Greg Suzda**, Colorado Springs, all of Colo.

[73] Assignee: **Digital Equipment Corp.**, Maynard, Mass.

[**] Term: **14 Years**

[21] Appl. No.: **875,102**

[22] Filed: **Apr. 27, 1992**

[52] U.S. Cl. **D13/184**

[58] Field of Search 361/724, 727, 728, 735, 361/741; D13/184; D14/107

[56] **References Cited**

U.S. PATENT DOCUMENTS

- D. 212,950 12/1968 Gruye et al. D13/184
- D. 338,469 8/1993 Alden et al. D13/184

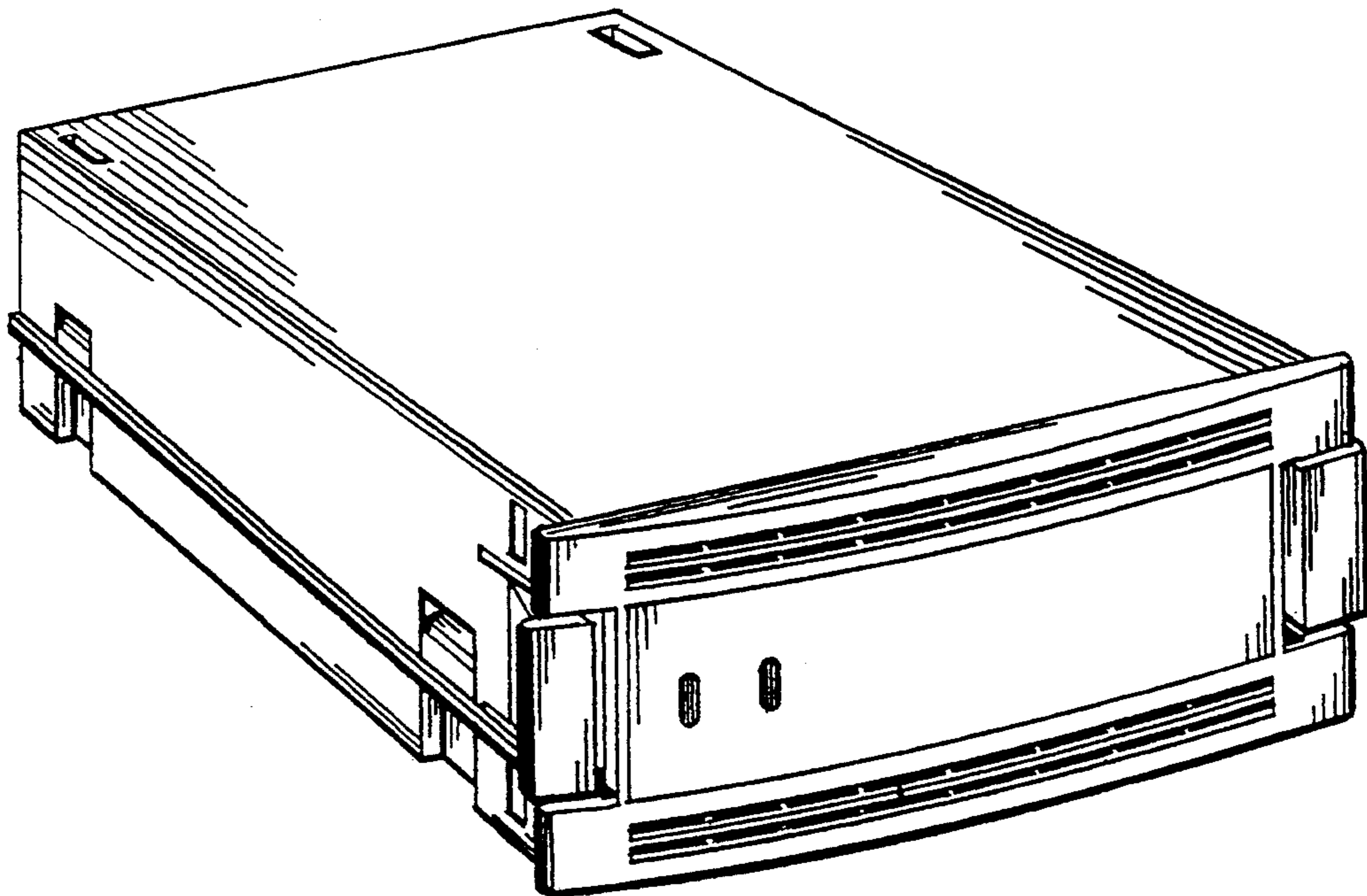
Primary Examiner—Wallace R. Burke
Assistant Examiner—Joel Sincavage
Attorney, Agent, or Firm—Albert P. Cefalo; Ronald C. Hudgens; Barry N. Young

[57] **CLAIM**

The ornamental design for a modular enclosure for electronic equipment, as shown and described.

DESCRIPTION

FIG. 1 is a front perspective view of the modular enclosure for electronic equipment, embodying our design; FIG. 2 is a front view thereof; FIG. 3 is a back view thereof; FIG. 4 is a right view thereof; FIG. 5 is a left view thereof; FIG. 6 is a top view thereof; FIG. 7 is a bottom view thereof; FIG. 8 is a rear and upper right perspective view thereof; and, FIG. 9 is a front and lower right perspective view thereof.



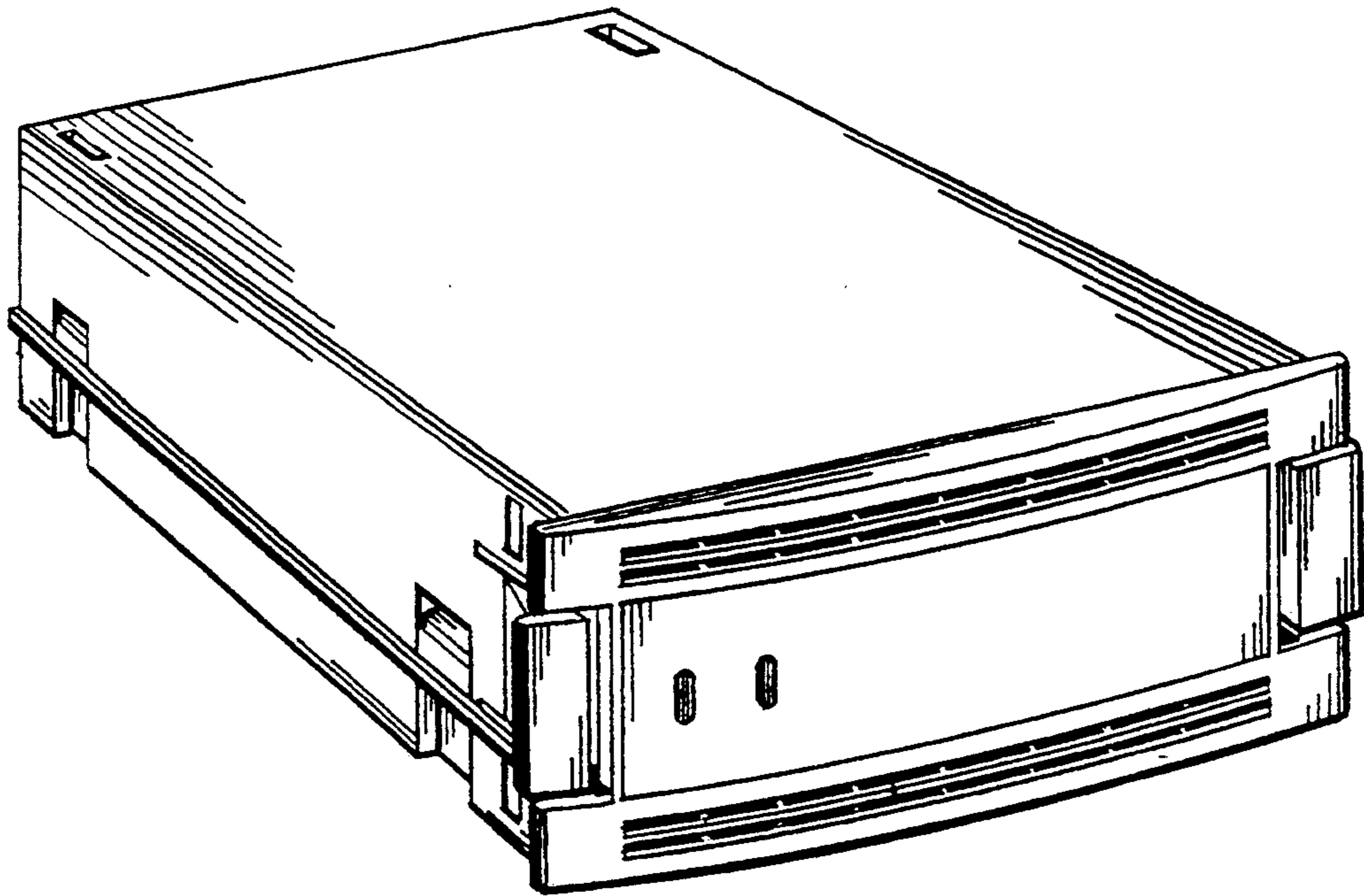


FIG. 1

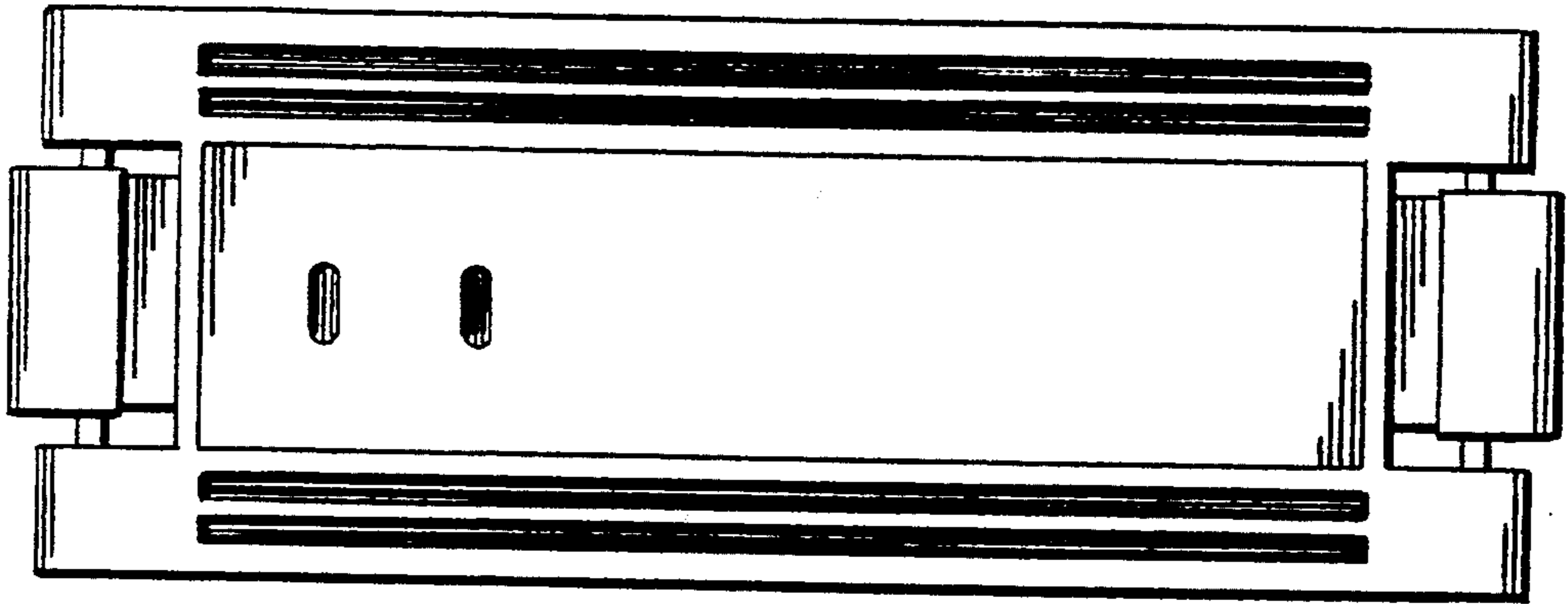


FIG. 2

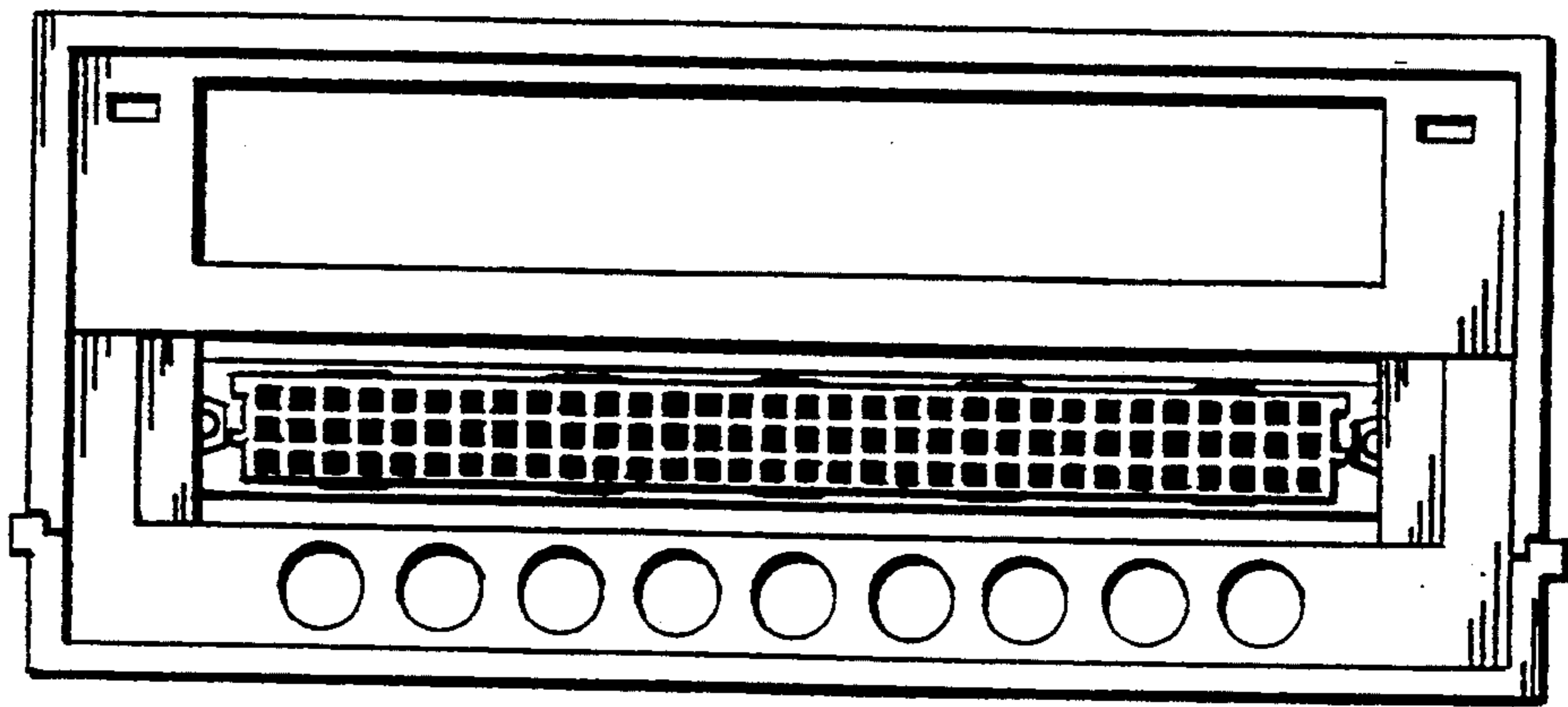


FIG. 3

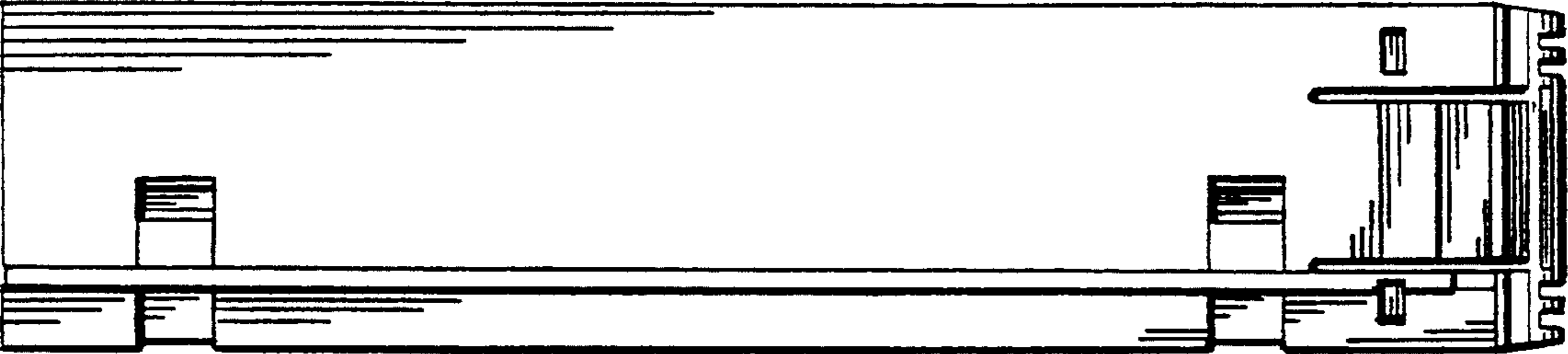


FIG. 4

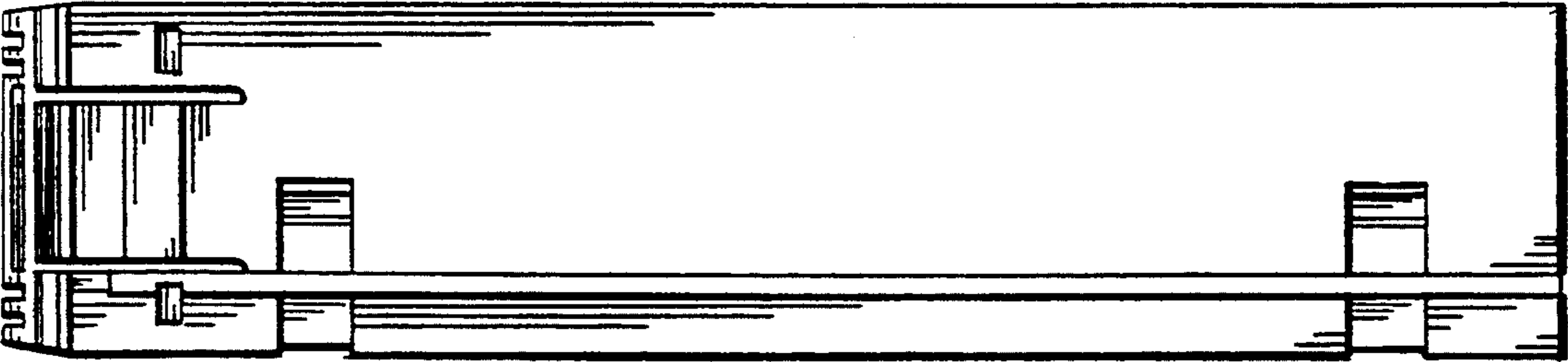


FIG. 5

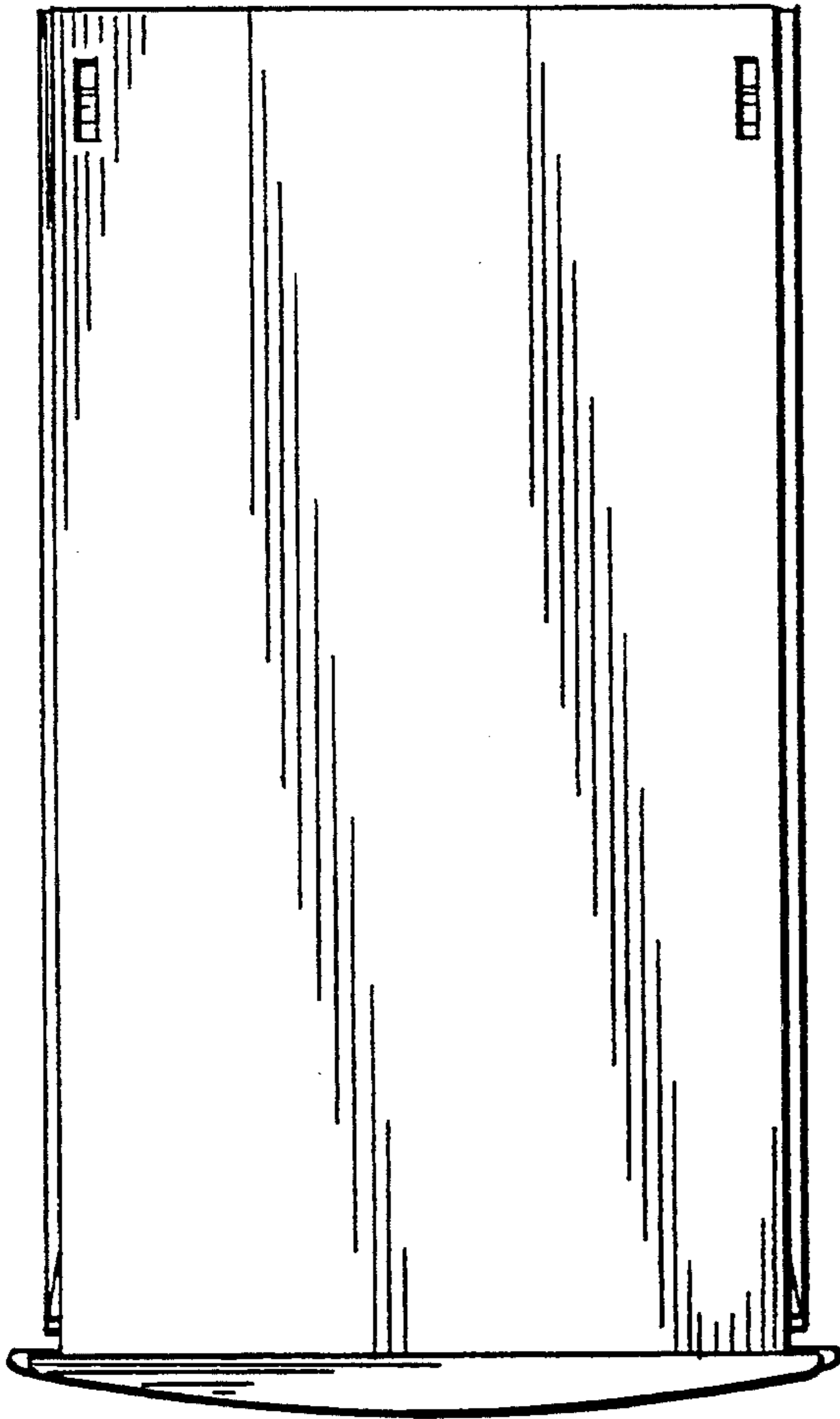


FIG. 6

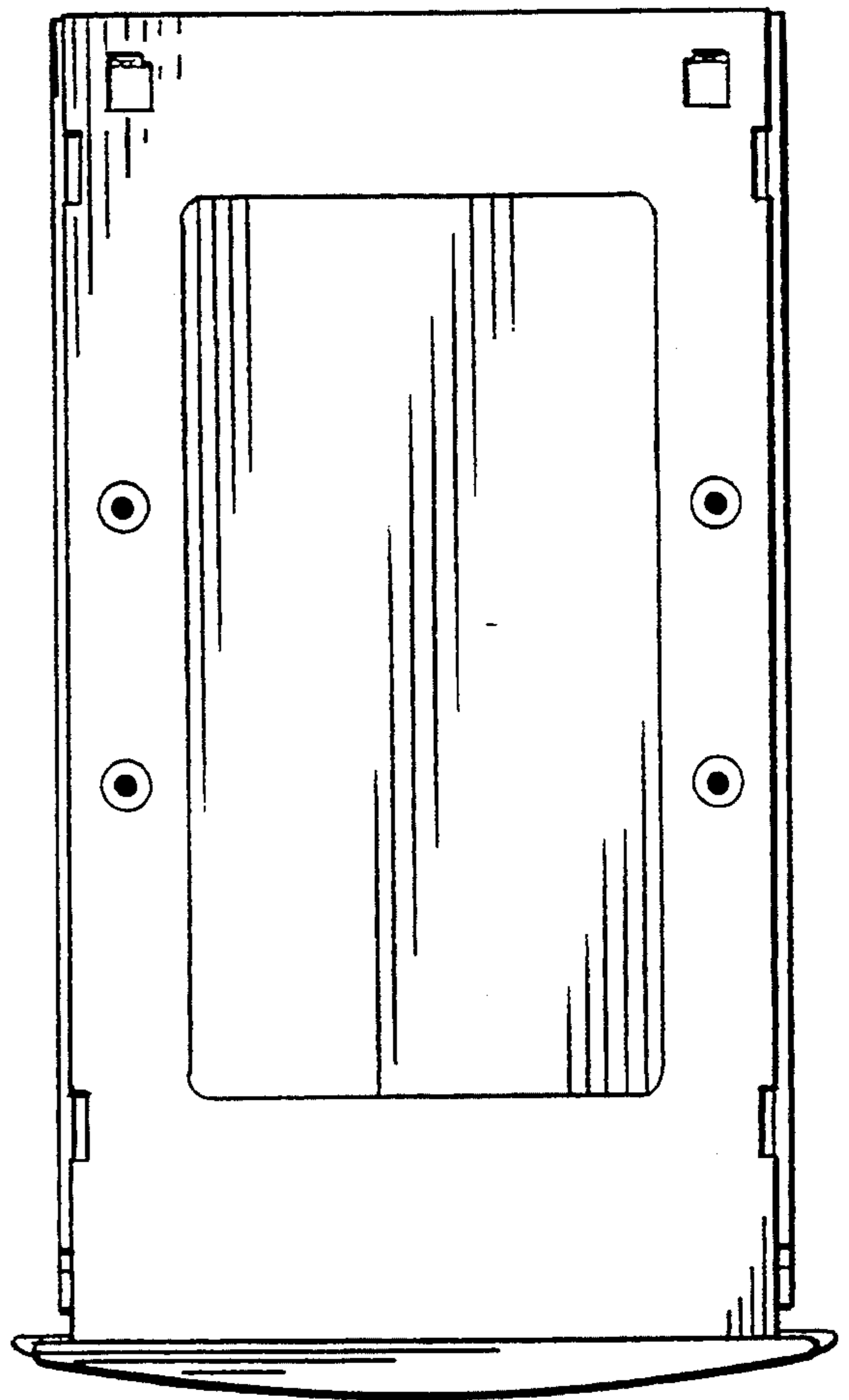


FIG. 7

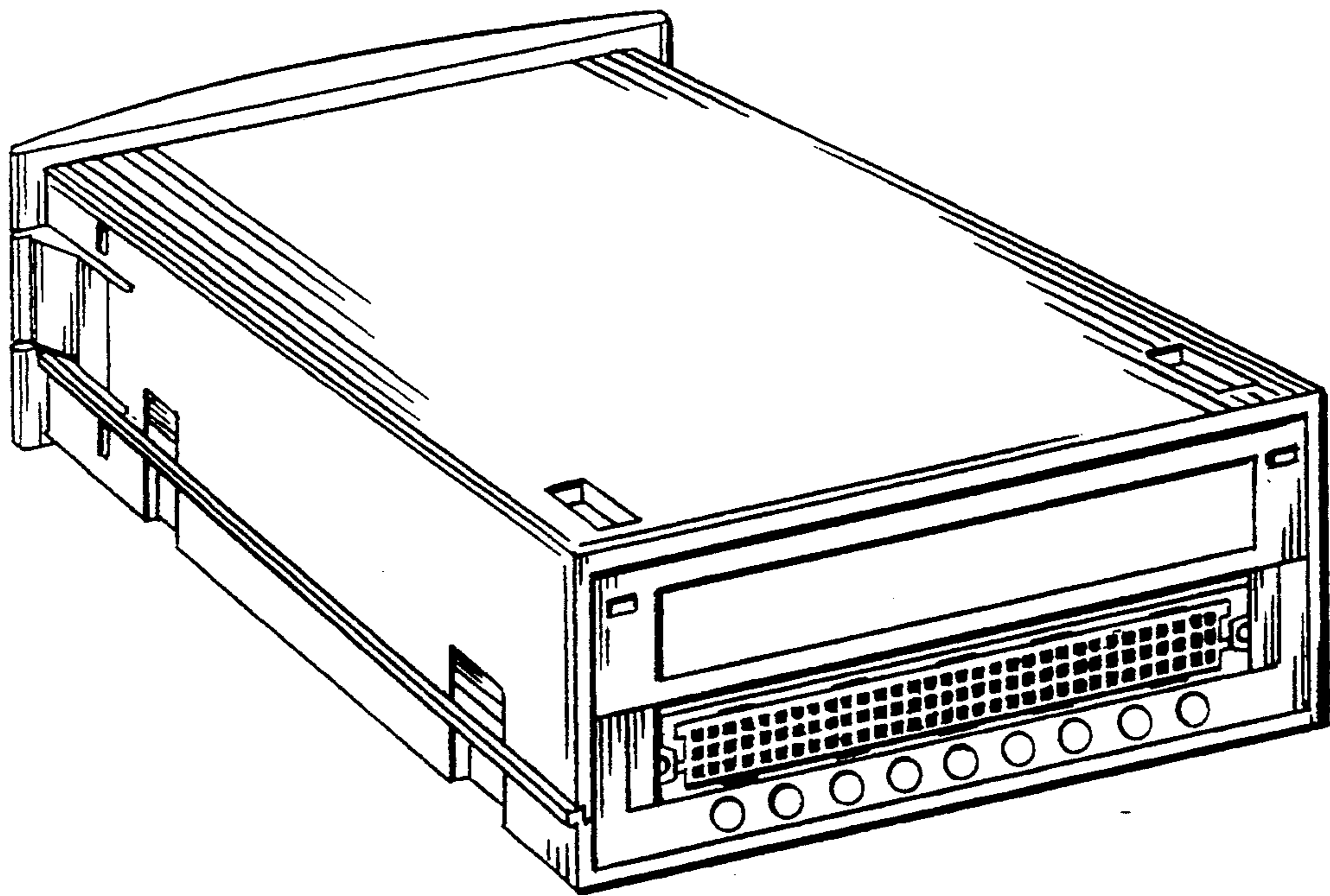


FIG. 8

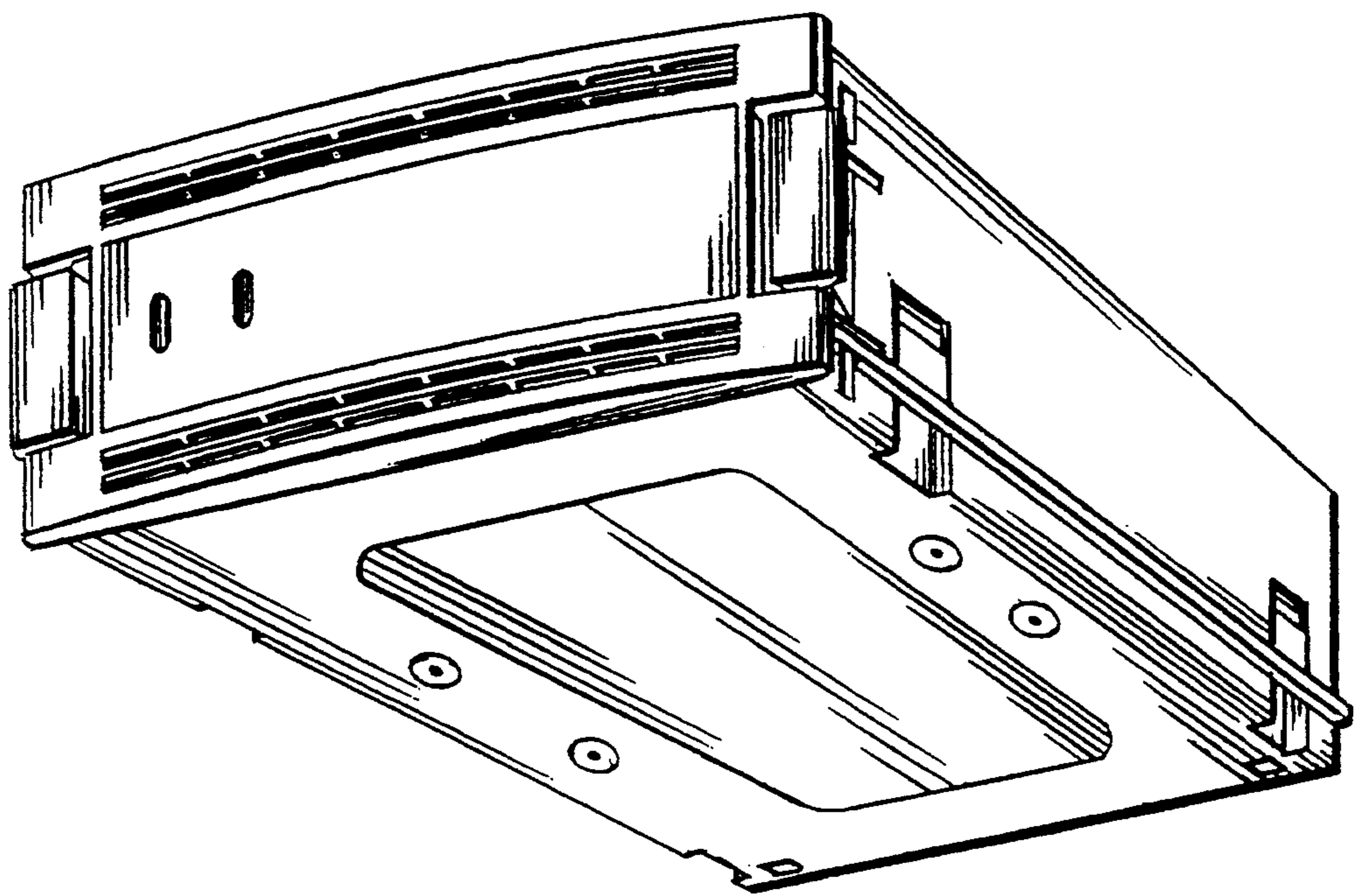


FIG. 9