



US00D353799S

United States Patent [19]

[11] Patent Number: **Des. 353,799**

Speiser et al.

[45] Date of Patent: **** Dec. 27, 1994**

[54] NETWORK ADAPTER CARD FOR INTERCHANGEABLE TRANSCEIVER MODULES

FOREIGN PATENT DOCUMENTS

341872 11/1989 European Pat. Off. 439/65
84582 3/1989 Japan 439/62

[75] Inventors: **Benjamin T. Speiser**, San Francisco;
Lloyd N. Oliver, Milpitas, both of Calif.

OTHER PUBLICATIONS

Card-monolithic chip on card subassembly on p. 2867 of IBM Technical Disclosure Bulletin vol. 14, No. 10, Mar. 1972.

[73] Assignee: **3 COM Corporation**, Santa Clara, Calif.

Computer cards on p. 73 of *MCM Electronics* Summer 1991 catalog.

[**] Term: **14 Years**

Primary Examiner—Wallace R. Burke
Assistant Examiner—Joel Sincavage
Attorney, Agent, or Firm—Townsend and Townsend Khourie and Crew

[21] Appl. No.: **8,446**

[22] Filed: **May 17, 1993**

[52] U.S. Cl. **D13/182**

[57] CLAIM

[58] Field of Search 361/728, 736, 737, 741, 361/748, 752, 756, 760; 385/27, 31, 51; 439/55, 59, 62, 63, 64, 65, 76, 78, 79, 82, 527, 529, 536, 544, 547, 571, 578, 629; D13/147, 162, 164, 182

The ornamental design for a network adapter card for interchangeable transceiver modules, as shown and described.

DESCRIPTION

[56] References Cited

U.S. PATENT DOCUMENTS

D. 292,698	11/1987	De Vita et al.	D13/182
D. 336,746	6/1993	Tse	D14/114
4,573,753	3/1986	Vogl	439/65
4,744,006	5/1988	Duffield	361/785 X
4,745,524	5/1988	Patton, III	361/785 X
4,758,928	7/1988	Wierc et al.	439/680 X
4,795,362	1/1989	Vonder et al.	439/629 X
5,031,074	7/1991	Ravid	361/785 X
5,099,394	3/1992	Hood et al.	361/786
5,121,295	6/1992	Lam	361/736
5,162,675	11/1992	Olsen et al.	439/62 X
5,273,463	12/1993	Kaetsu et al.	439/680 X

FIG. 1 is a perspective view of a network adapter card for interchangeable transceiver modules showing our new design;

FIG. 2 is a top plan view thereof;

FIG. 3 is a front plan view thereof;

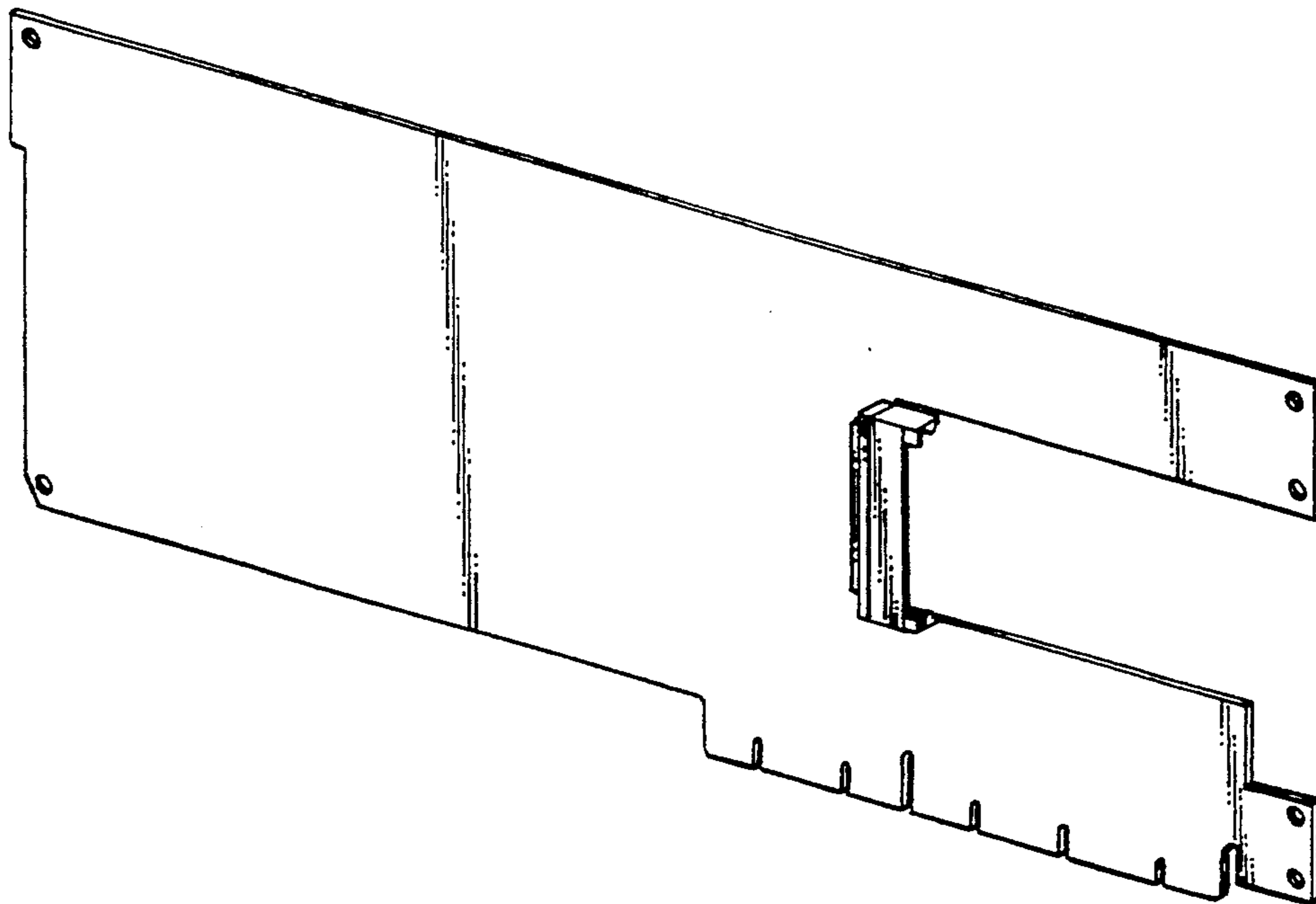
FIG. 4 is a left side plan view;

FIG. 5 is a right side plan view;

FIG. 6 is a bottom plan view thereof;

FIG. 7 is a rear plan view thereof; and,

FIG. 8 is a front plan view thereof showing our design with a network adapter card. The broken line showing of the adapter card is included for the purpose of illustrating environmental structure only and forms no part of the claimed design.



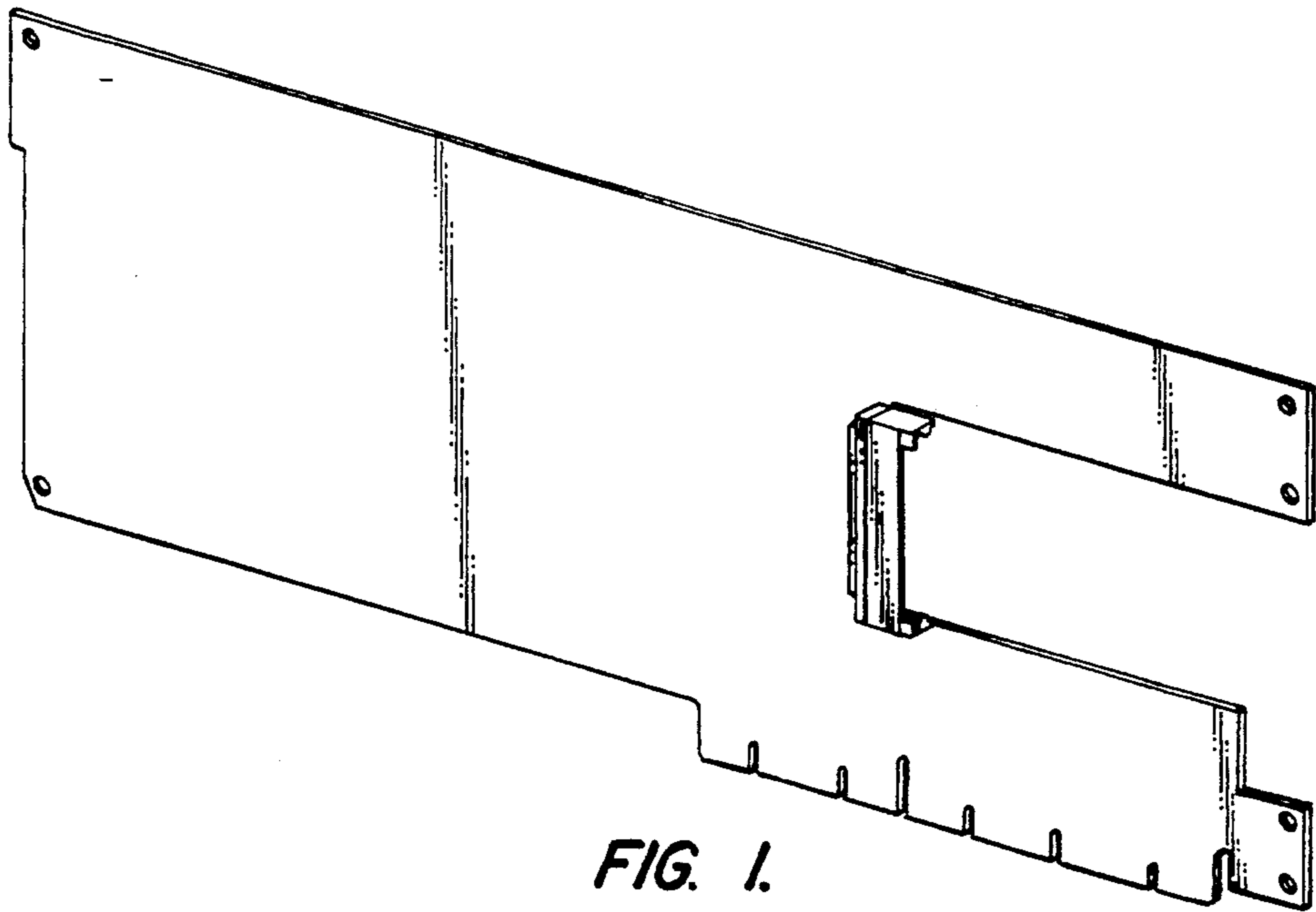


FIG. 1.



FIG. 2.

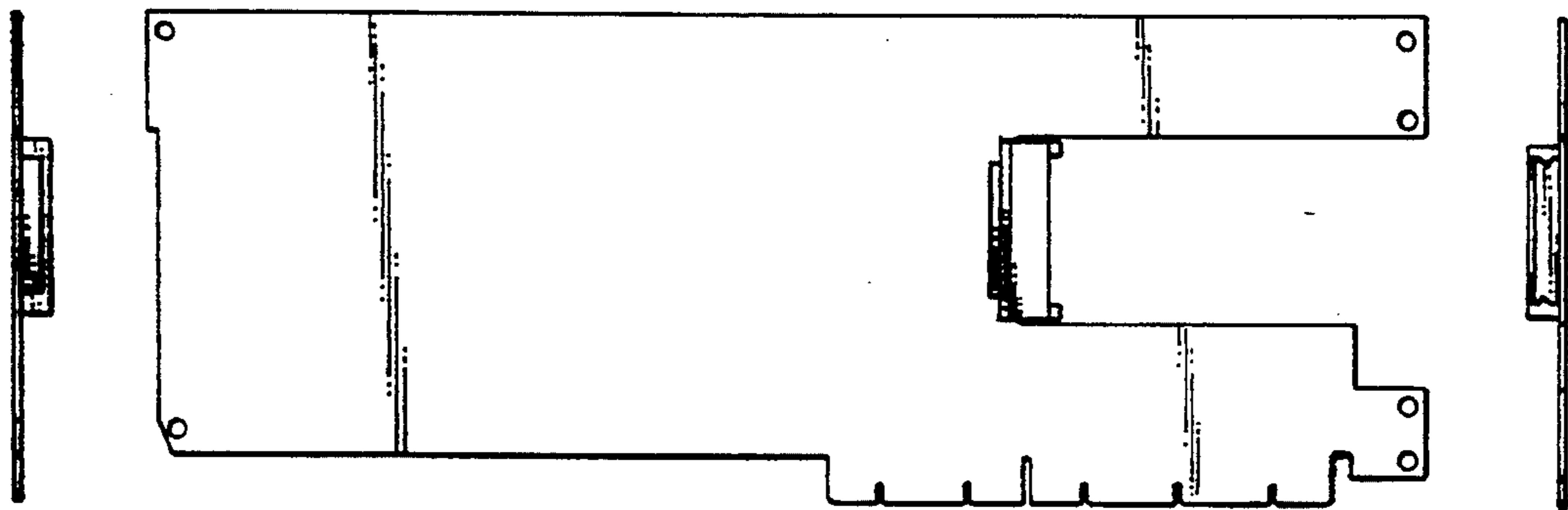


FIG. 4.

FIG. 3.

FIG. 5.



FIG. 6.

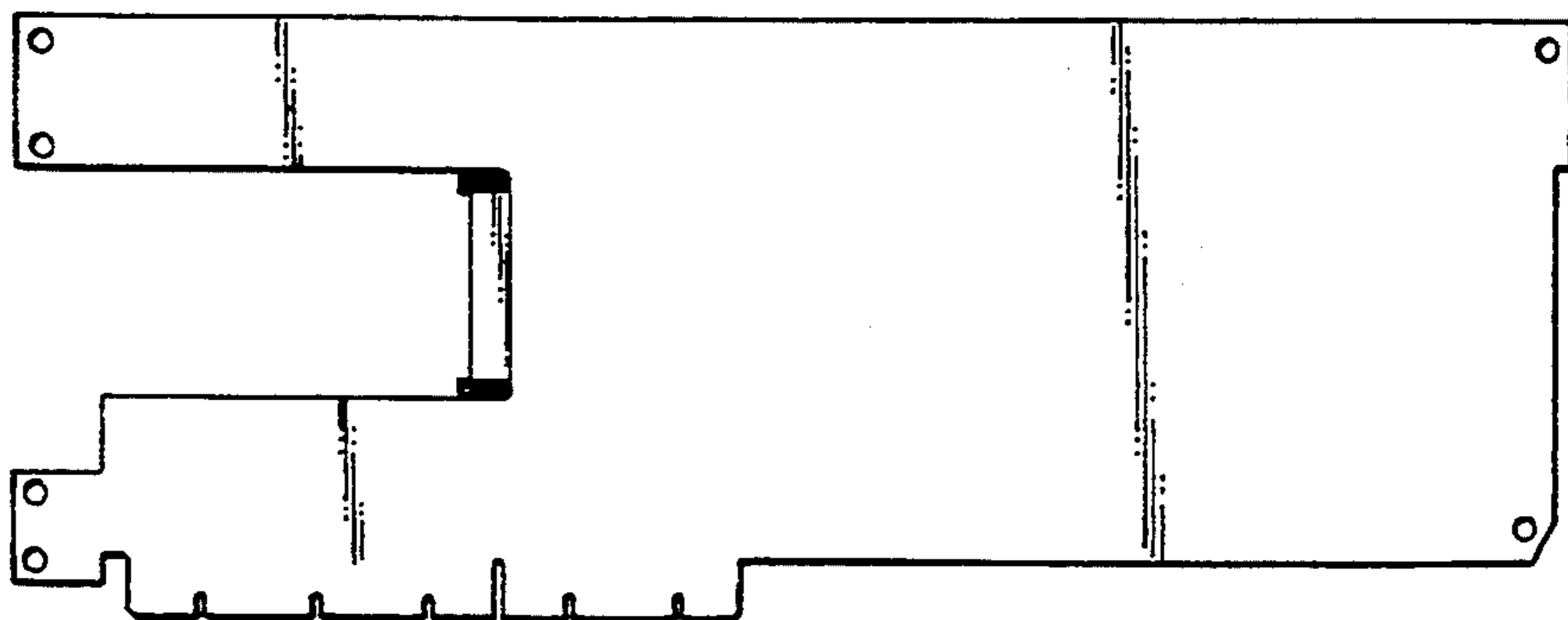


FIG. 7.

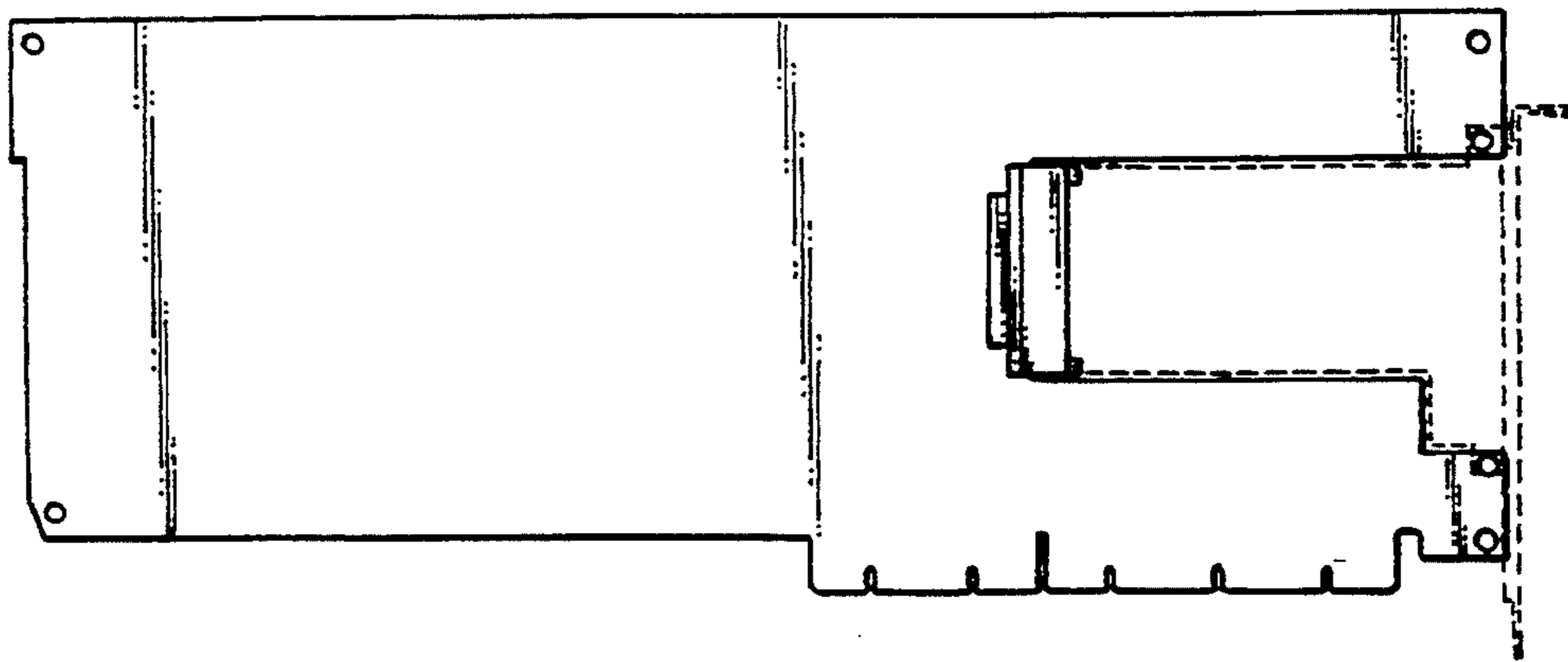


FIG. 8.