



US00D353797S

United States Patent [19]

[11] Patent Number: **Des. 353,797**

Gordin et al.

[45] Date of Patent: **** Dec. 27, 1994**

[54] **COMBINED BALLAST BOX AND BRACKETS THEREFOR**

Assistant Examiner—H. Baynham
Attorney, Agent, or Firm—Zarley, McKee, Thomte, Voorhees & Sease

[75] Inventors: **Myron K. Gordin; Jim L. Drost**, both of Oskaloosa, Iowa

[57] **CLAIM**

[73] Assignee: **Musco Corporation**, Oskaloosa, Iowa

The ornamental design for a combined ballast box and brackets therefor, as shown and described.

[**] Term: **14 Years**

DESCRIPTION

[21] Appl. No.: **5,146**

FIG. 1 is a perspective view of a ballast box and mounting brackets showing our new design with the broken line showing of a light pole and lights being for illustrative purposes only and forming no part of the claimed design;

[22] Filed: **Feb. 24, 1993**

[52] U.S. Cl. **D13/152**

[58] Field of Search D8/349, 354, 394, 396; 248/231; 362/432; 174/50, 52.1, 58; D13/152

[56] **References Cited**

U.S. PATENT DOCUMENTS

3,266,766	8/1966	Linville, Jr.	248/231
3,612,460	10/1971	Smith	248/213
4,019,704	4/1977	Levine	248/231
4,190,881	2/1980	Drost et al.	362/250
4,374,407	2/1983	Drost et al.	362/432
4,448,313	5/1984	Pomeroy	248/231
4,459,649	7/1984	Shaneour	362/432

FIG. 2 is an enlarged perspective view thereof;
FIG. 3 is a side elevational view thereof with the opposite side being a mirror image thereof;

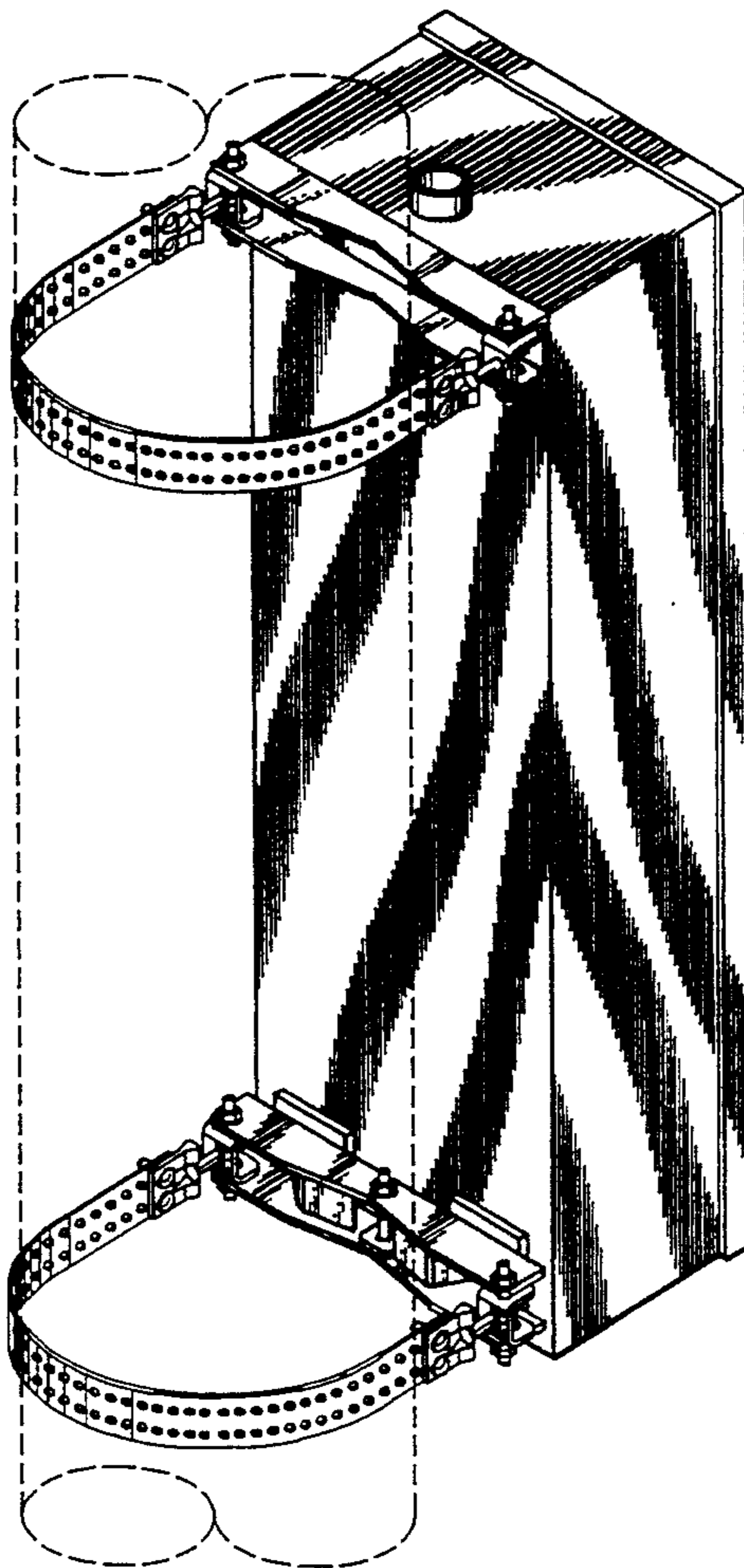
FIG. 4 is a bottom plan view thereof with the bottom plan view of the adjacent clamp being identical in appearance;

FIG. 5 is a top plan view thereof with the top plan view of the adjacent clamp being a mirror image; and,

FIG. 6 is a front elevational view thereof.

The rear elevational view of the ballast box is planar and unornamented.

Primary Examiner—James M. Gandy



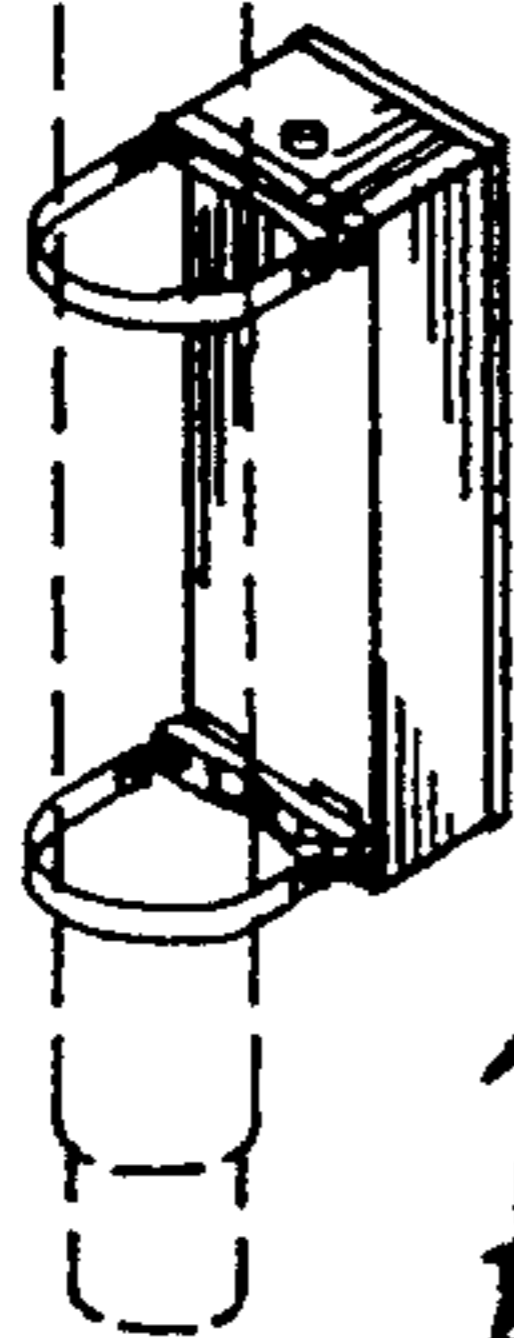
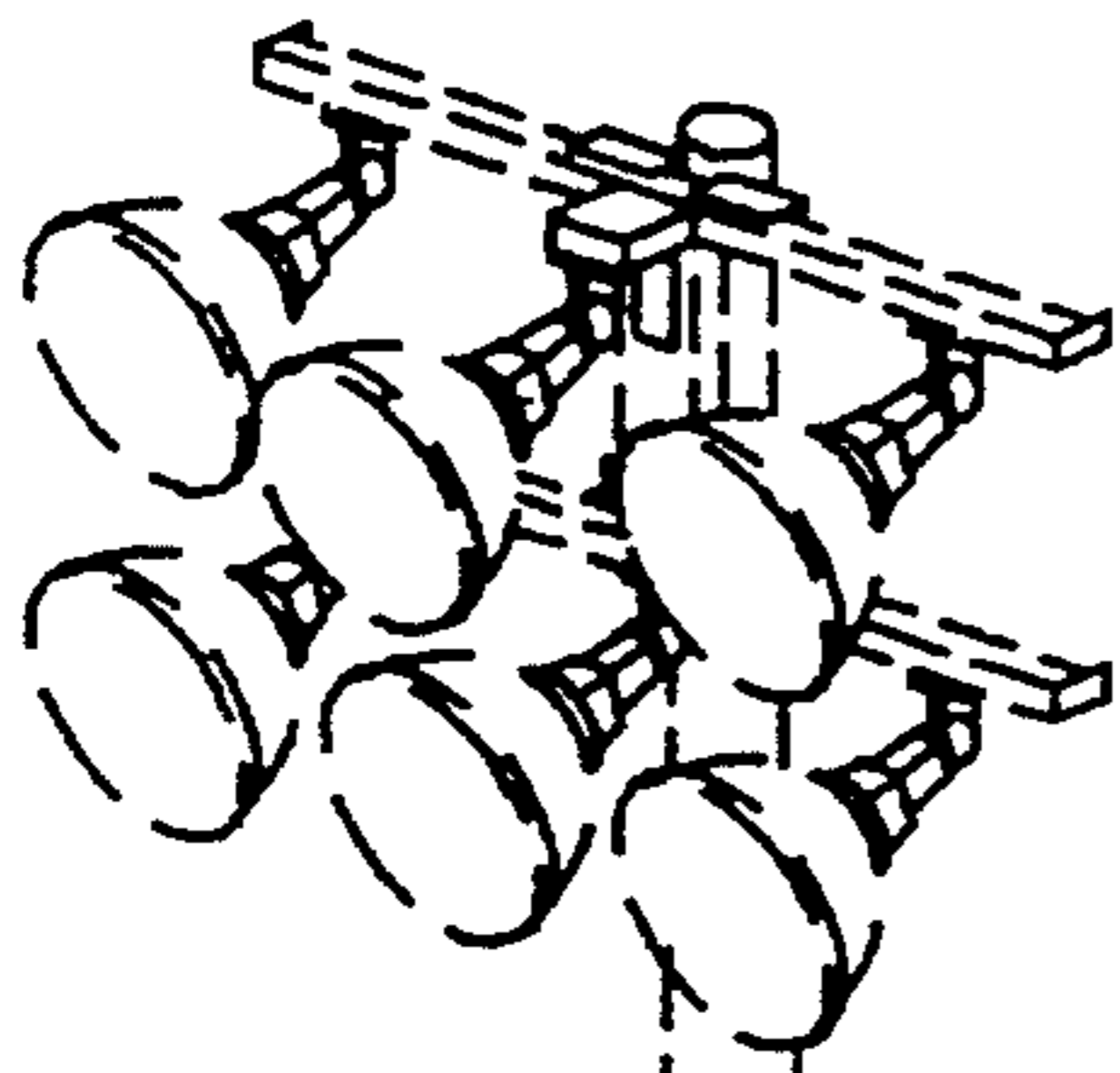


Fig. 1

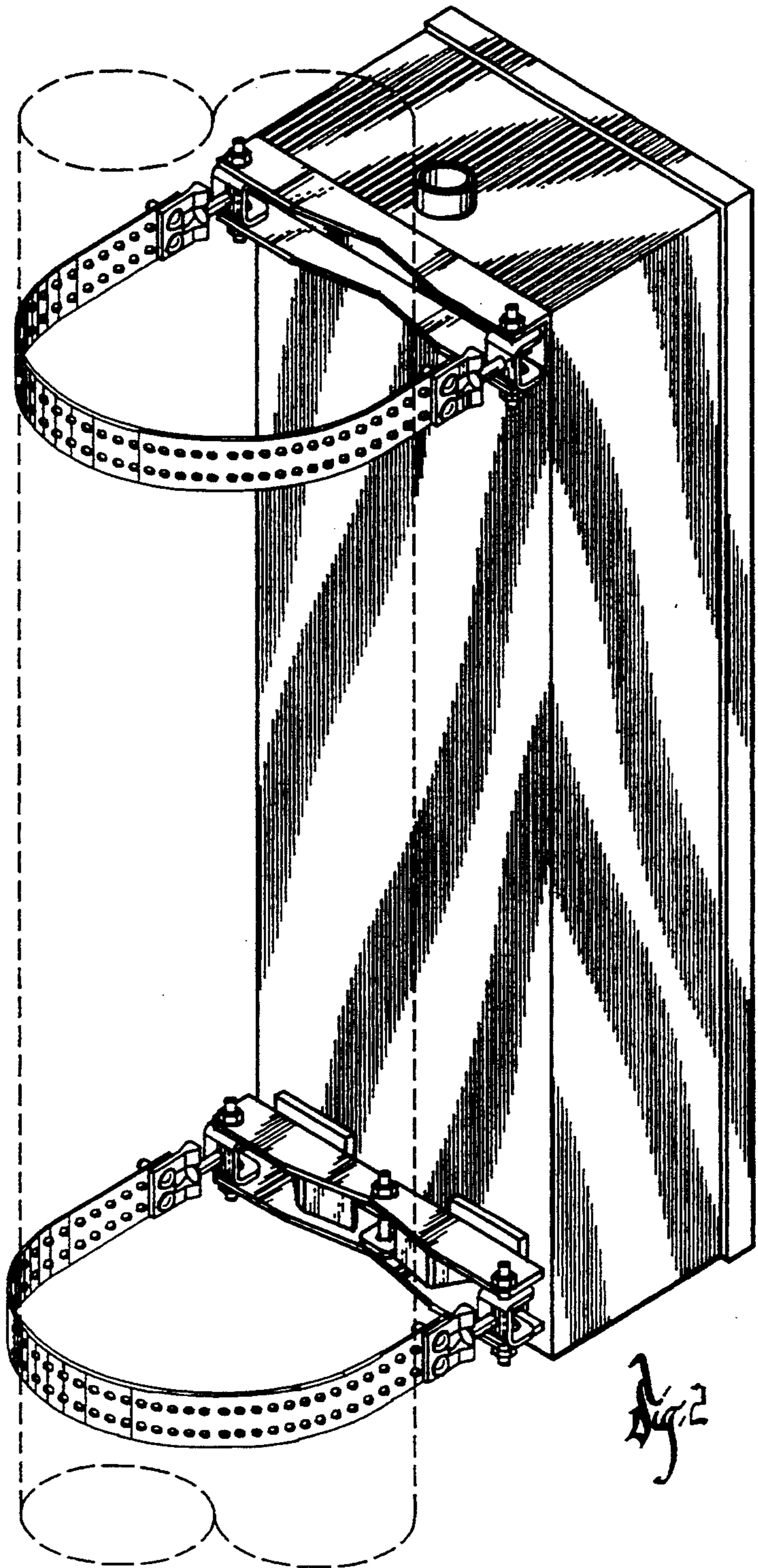


Fig. 2

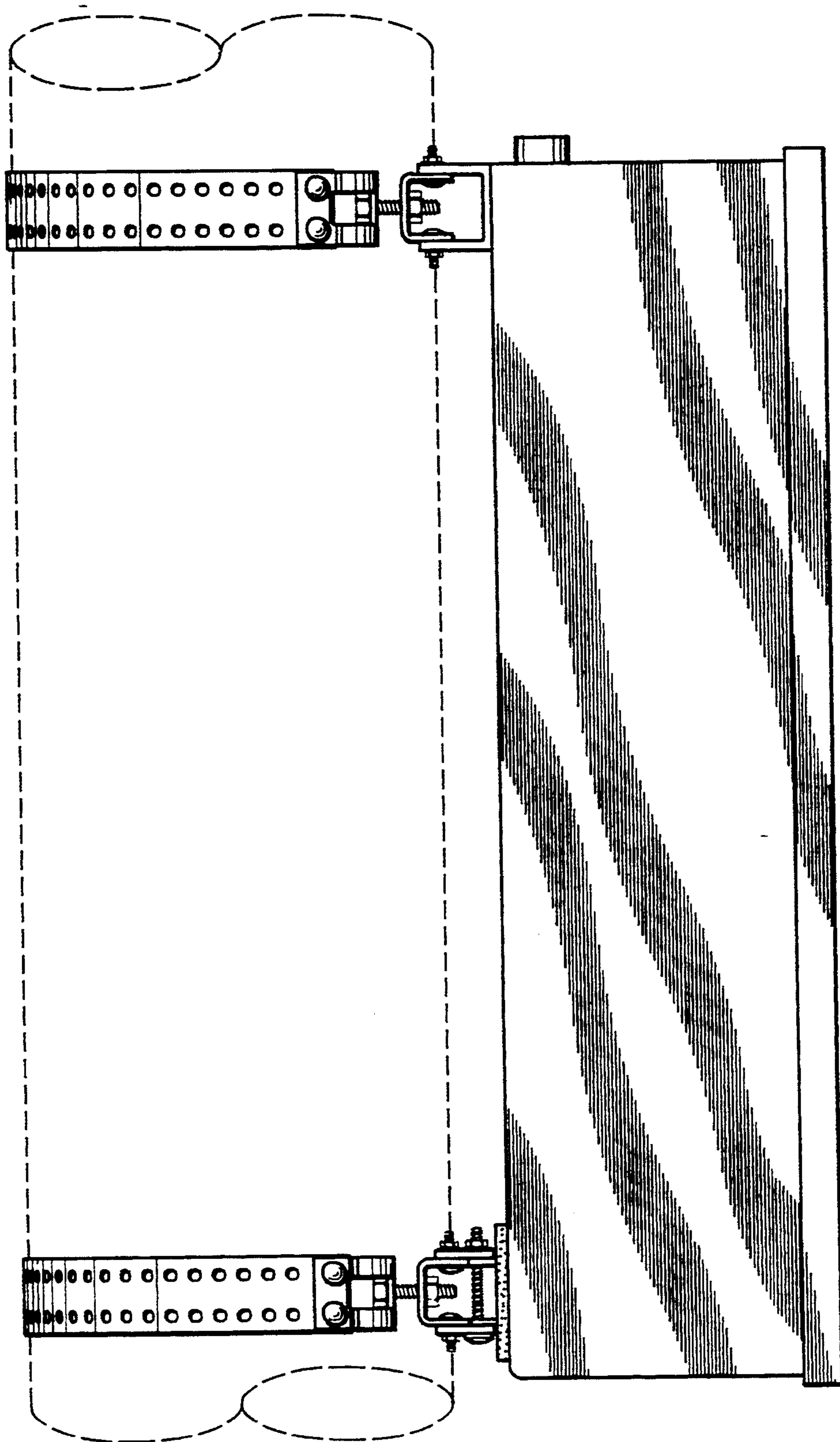


Fig. 3

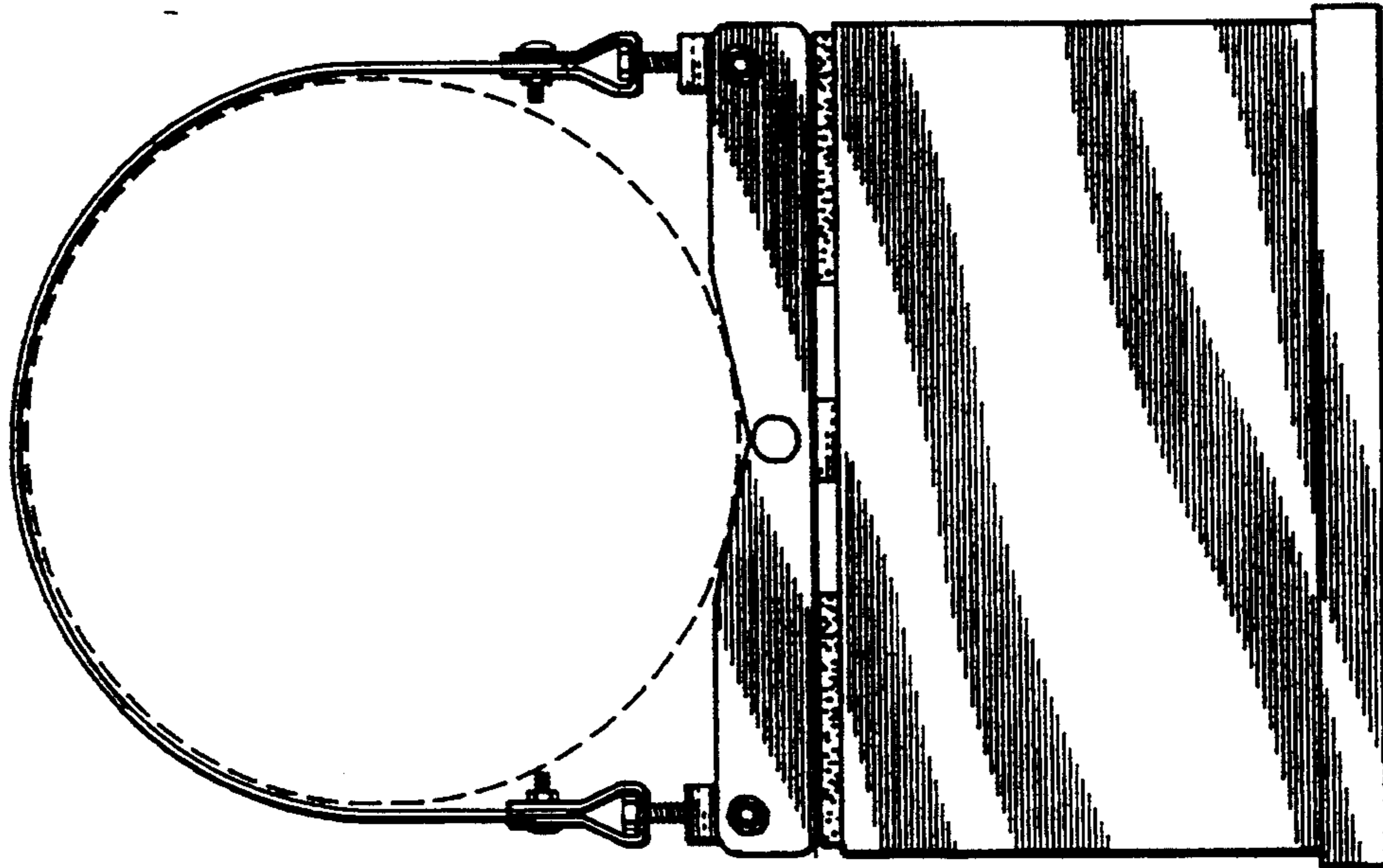


Fig. 4

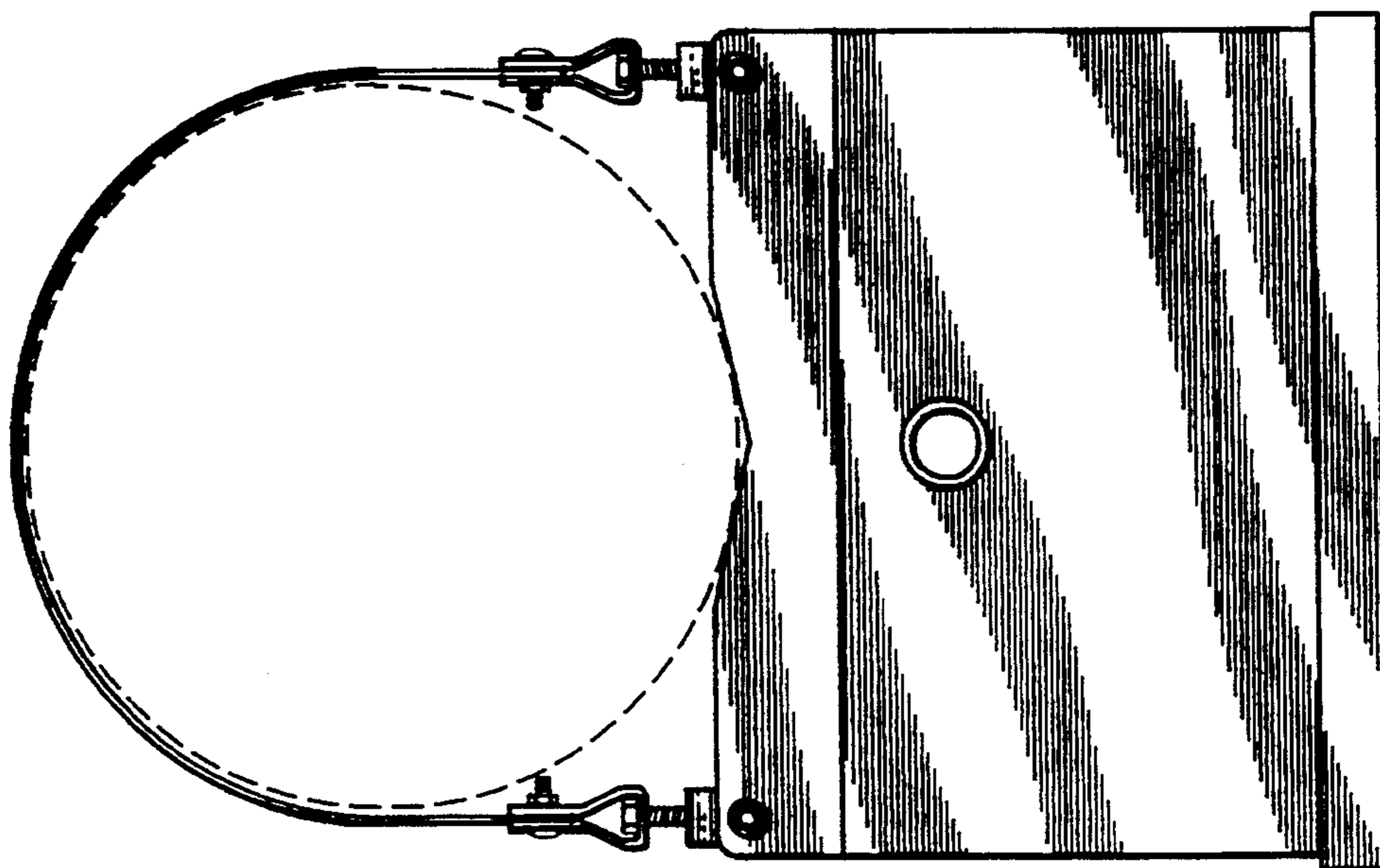


Fig. 5

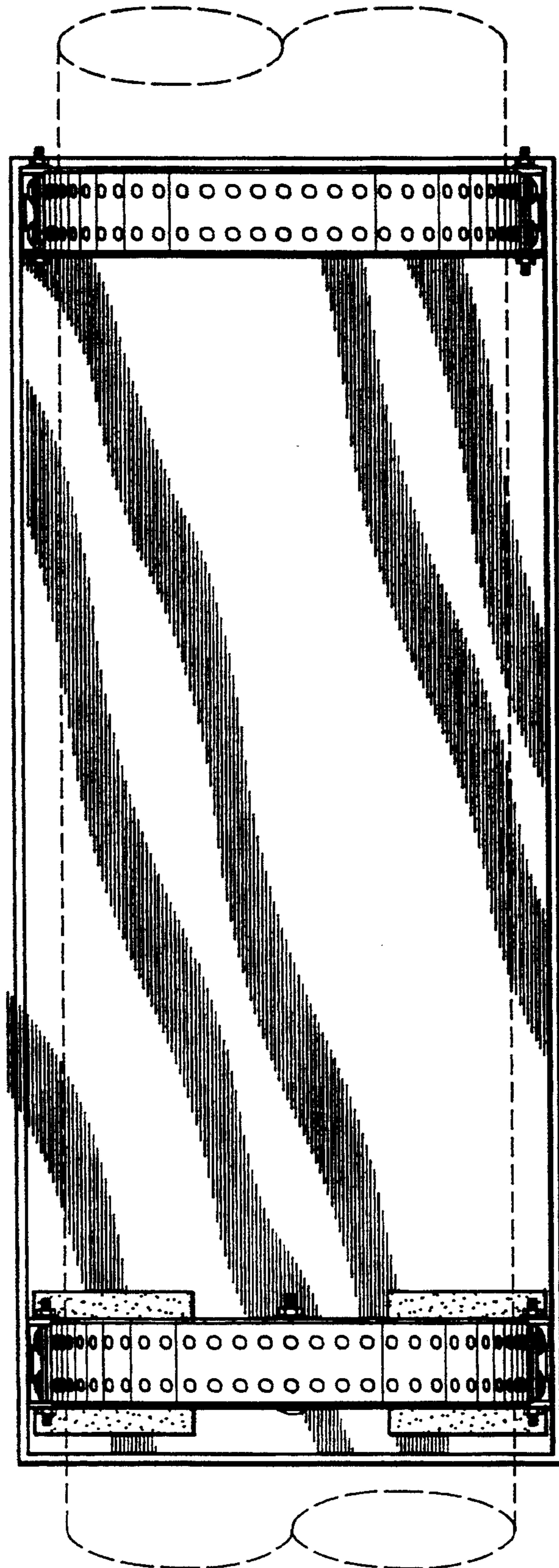


Fig. 6