



US00D353796S

United States Patent [19]

[11] Patent Number: **Des. 353,796**

Oliver et al.

[45] Date of Patent: **** Dec. 27, 1994**

[54] **FIBER OPTIC INTERCHANGEABLE TRANSCEIVER MODULE**

[75] Inventors: **Lloyd N. Oliver, Milpitas; Benjamin T. Speiser, San Francisco, both of Calif.**

[73] Assignee: **3 Com Corporation, Santa Clara, Calif.**

[**] Term: **14 Years**

[21] Appl. No.: **8,375**

[22] Filed: **May 17, 1993**

[52] U.S. Cl. **D13/133**

[58] Field of Search **D13/147, 162, 164, 182; 361/728, 736, 737, 741, 748, 752, 756, 760; 385/27, 31, 51; 439/55, 59, 62, 63, 64, 65, 76, 78, 79, 82, 527, 529, 536, 544, 547, 571, 578, 629**

[56] **References Cited**

U.S. PATENT DOCUMENTS

D. 292,698	11/1987	De Vita et al.	D13/182
D. 314,941	2/1991	Amachi et al.	D13/133
D. 336,746	6/1993	Tse	D14/114
4,432,604	2/1984	Schwab	439/65 X
4,573,753	3/1986	Vogl	439/65
4,744,006	5/1988	Duffield	361/785 X
4,745,524	5/1988	Patton, III	361/785 X
4,758,928	7/1988	Wierc et al.	439/680 X
4,795,362	1/1989	Vonder et al.	439/629 X
5,007,860	4/1991	Robinson et al.	D13/133 X
5,031,074	7/1991	Ravid	361/785 X
5,099,394	3/1992	Hood et al.	361/786
5,121,295	6/1992	Lam	361/736
5,142,597	8/1992	Mulholland	385/55 X
5,162,675	11/1992	Olsen et al.	439/62 X
5,233,501	8/1993	Allen et al.	439/668 X
5,273,463	12/1993	Kaetsu et al.	439/680 X

FOREIGN PATENT DOCUMENTS

341872	11/1989	European Pat. Off.	439/65
84582	3/1989	Japan	439/62
2245082	12/1991	United Kingdom	385/53

OTHER PUBLICATIONS

Card-monolithic chip on card subassembly on p. 2867 of IBM Technical Disclosure Bulletin vol. 14 No. 10 Mar. 1972.

Converter on p. 47 of *EDN* 1/3/9.

Computer cards on p. 73 of *MCM Electronics* Summer 1991 catalog.

Primary Examiner—Wallace R. Burke

Assistant Examiner—Joel Sincavage

Attorney, Agent, or Firm—Townsend and Townsend Khourie and Crew

[57] **CLAIM**

The ornamental design for a fiber optic interchangeable transceiver module, as shown and described.

DESCRIPTION

FIG. 1 is a perspective view of a fiber optic interchangeable transceiver module showing our new design;

FIG. 2 is a top plan view thereof;

FIG. 3 is a front plan view thereof;

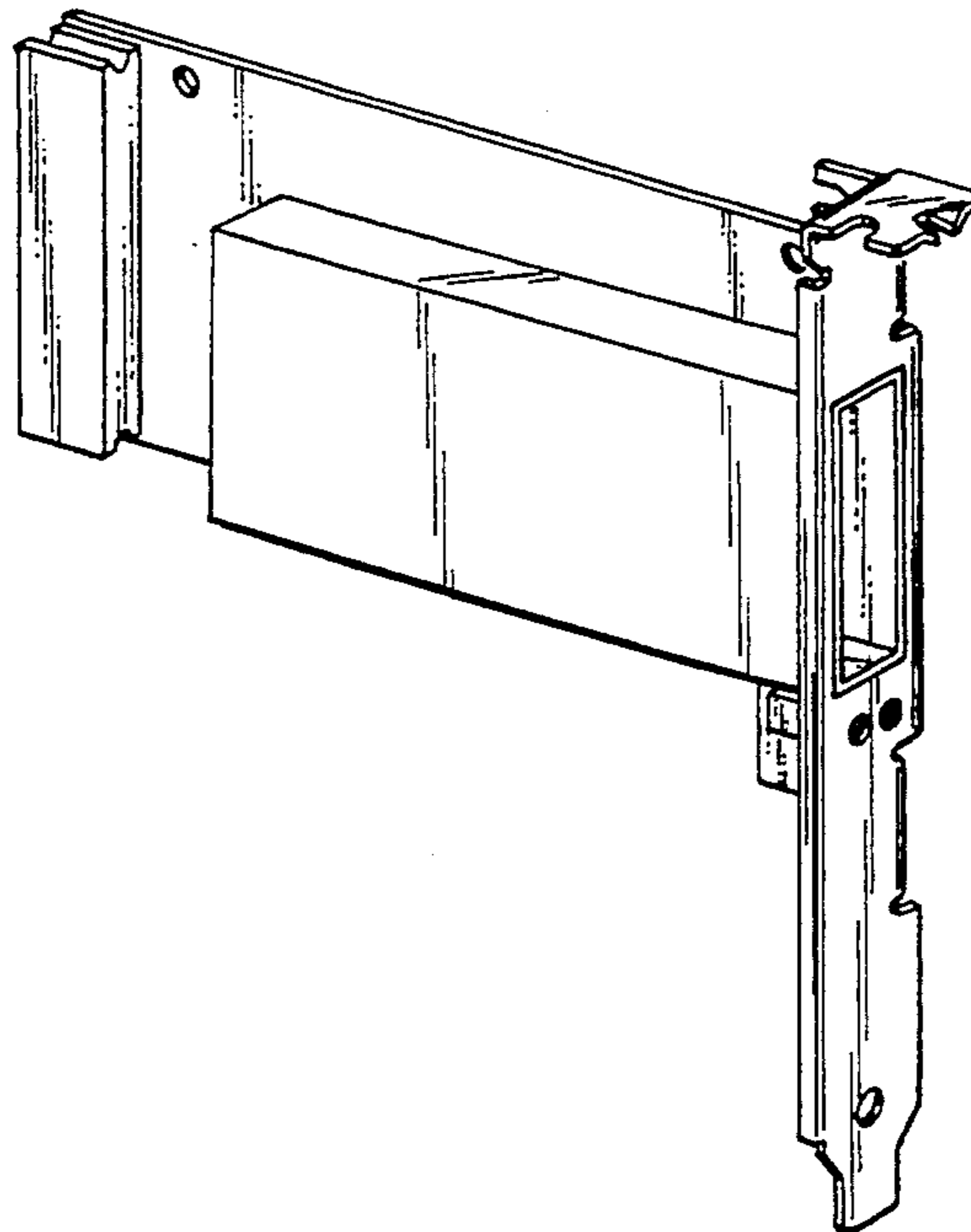
FIG. 4 is a left side plan view;

FIG. 5 is a right side plan view;

FIG. 6 is a bottom plan view thereof;

FIG. 7 is a rear plan view thereof; and,

FIG. 8 is a front plan view thereof showing our design with a network adapter card. The broken line showing of the adapter card is included for the purpose of illustrating environmental structure only and forms no part of the claimed design.



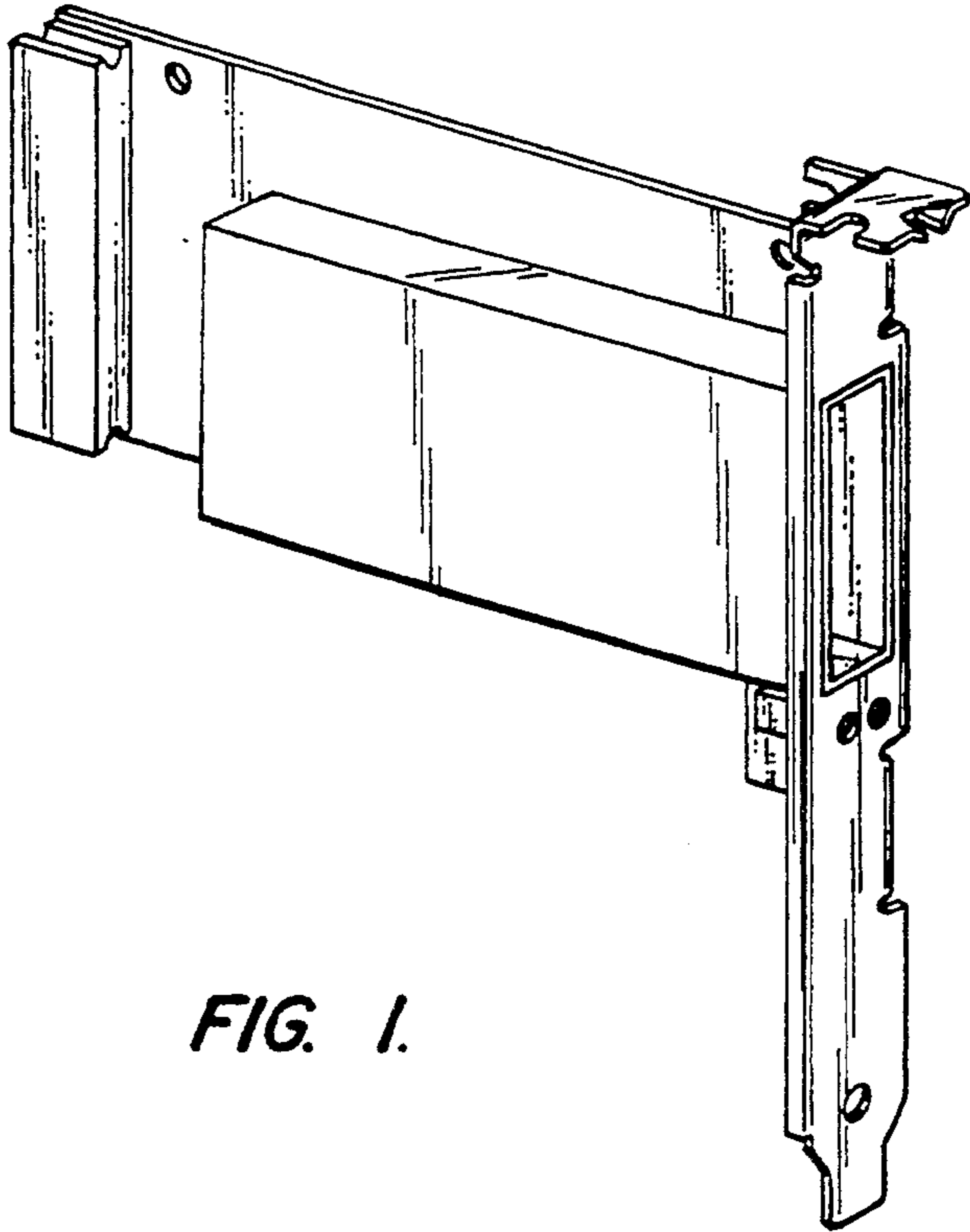


FIG. 1.

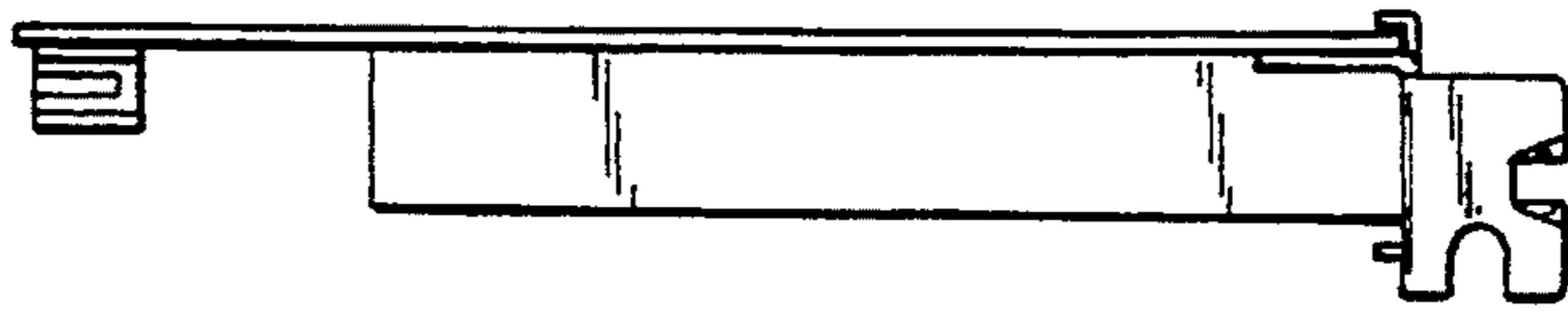


FIG. 2.

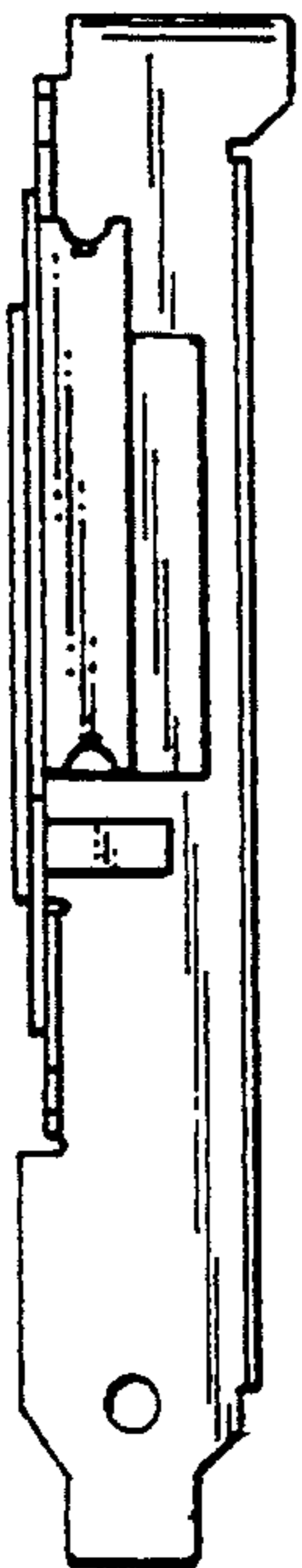


FIG. 4.

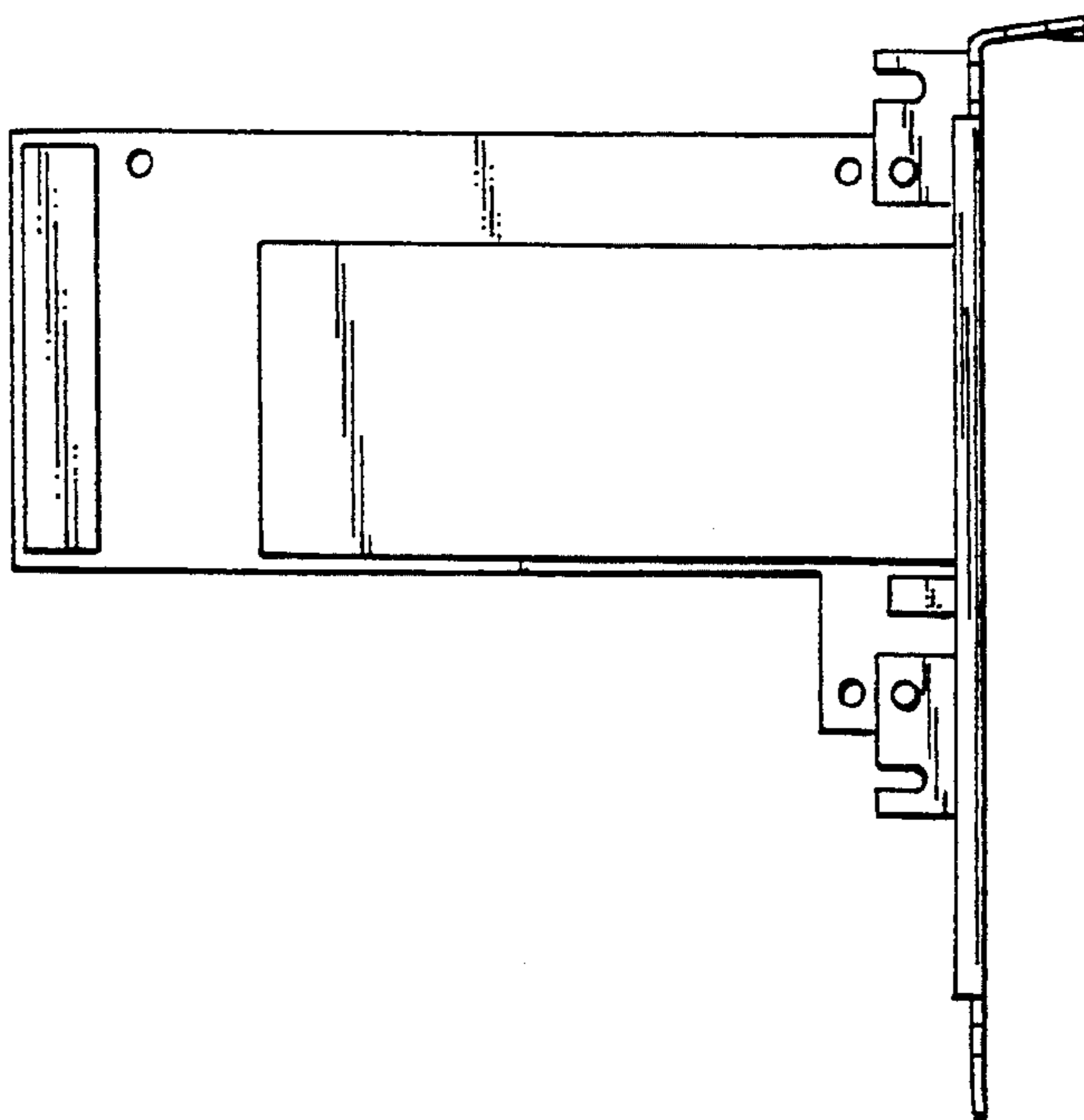


FIG. 3.

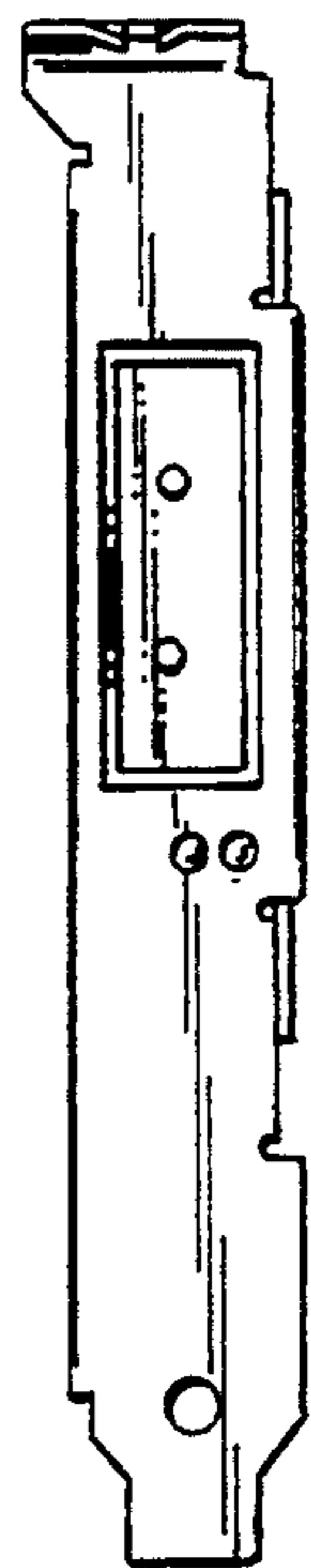


FIG. 5.

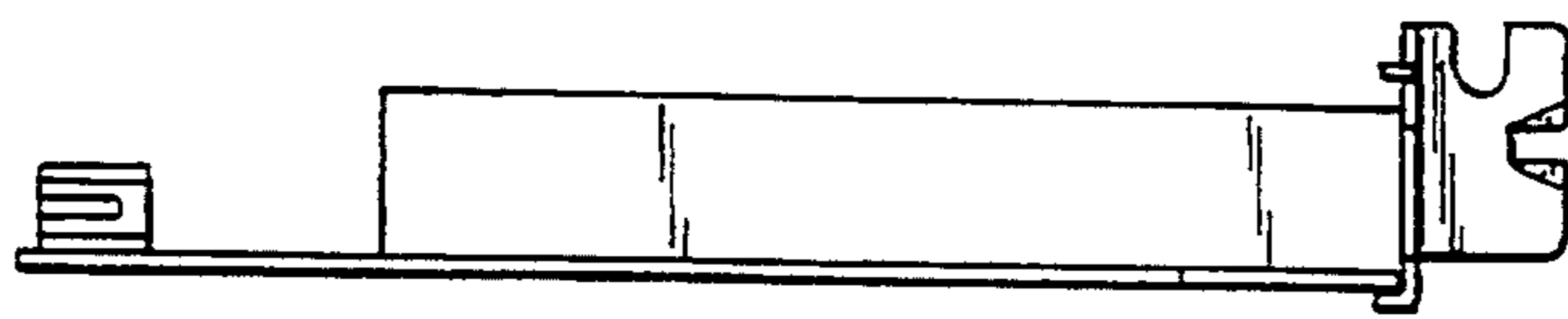


FIG. 6.

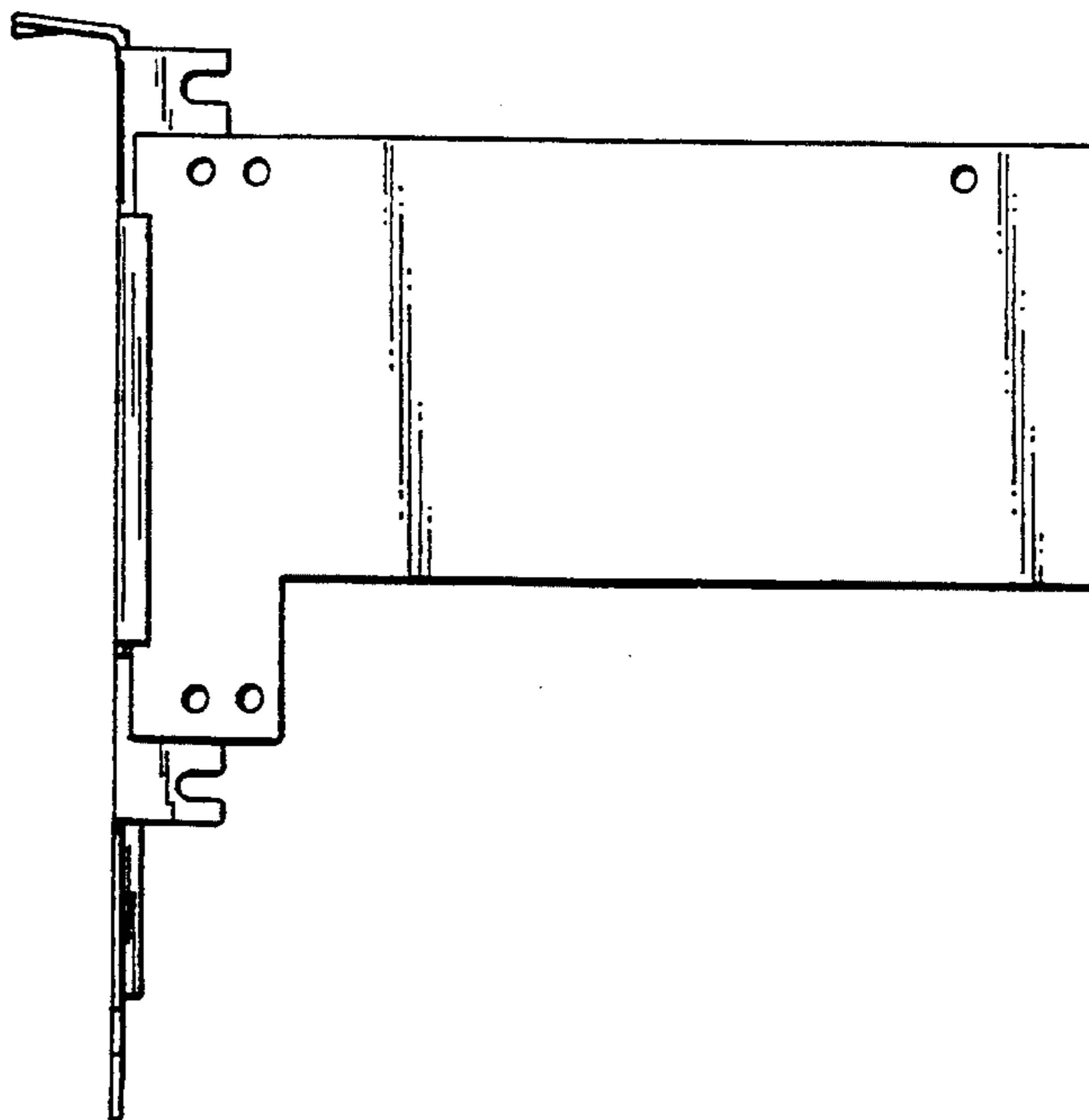


FIG. 7.

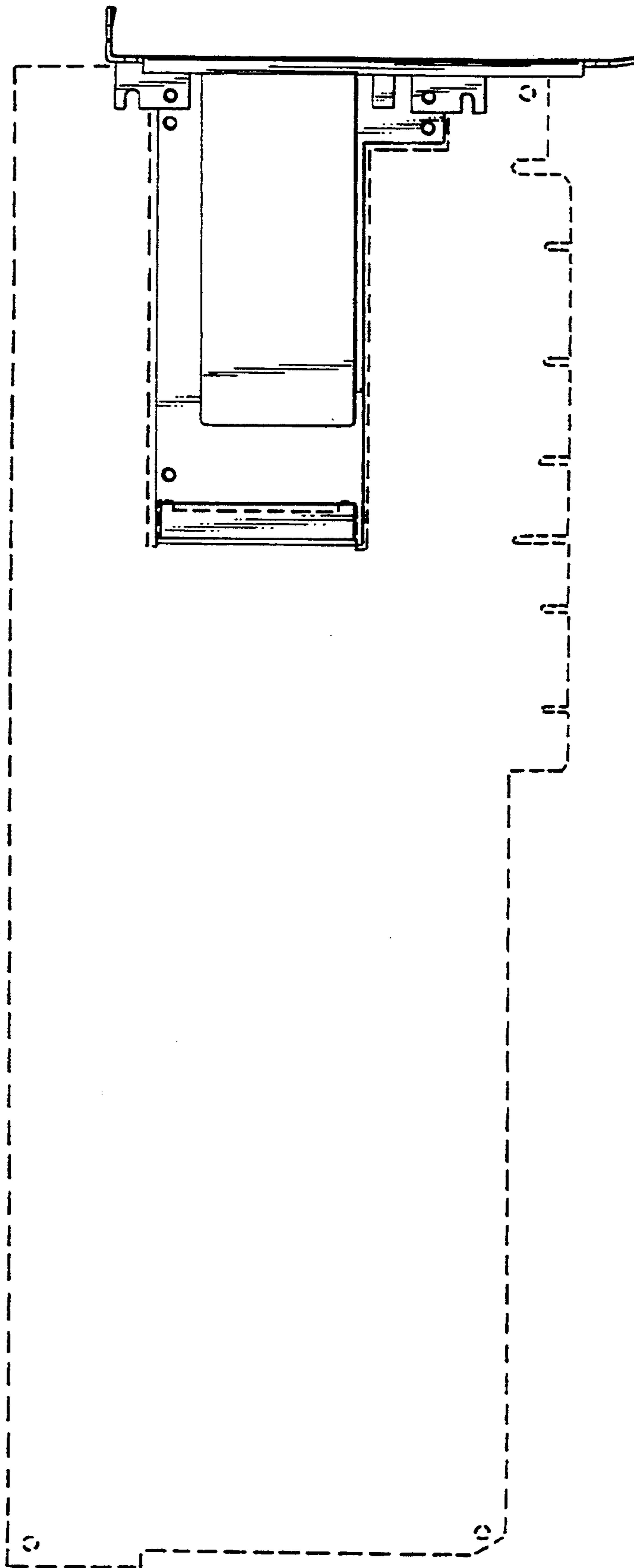


FIG. 8.