



US00D353791S

United States Patent [19]

[11] Patent Number: Des. 353,791

Brandan et al.

[45] Date of Patent: ** Dec. 27, 1994

[54] RAIL FOR AN AUTOMATIC MONORAIL SYSTEM

Assistant Examiner—M. Brown
Attorney, Agent, or Firm—Longacre & White

[75] Inventors: George H. Brandan, Goodlettsville;
Kozo Miyagawa, Hendersonville,
both of Tenn.

[57] CLAIM

The ornamental design for a rail for an automatic monorail system, as shown.

[73] Assignee: Tsubaki Conveyor of America, Inc.,
Portland, Tenn.

DESCRIPTION

[**] Term: 14 Years

FIG. 1 is a front, right-side and top perspective view of a rail for an automatic monorail system showing our new design;

[21] Appl. No.: 5,848

FIG. 2 is a front elevational view of the rail for an automatic monorail system shown in FIG. 1;

[22] Filed: Feb. 23, 1993

FIG. 3 is a right-side elevational view of the rail for an automatic monorail system shown in FIG. 1;

[52] U.S. Cl. D12/50

FIG. 4 is a rear elevational view of the rail for an automatic monorail system shown in FIG. 1;

[58] Field of Search D12/50; 704/93, 110

FIG. 5 is a left-side elevational view of the rail for an automatic monorail system shown in FIG. 1;

[56] References Cited

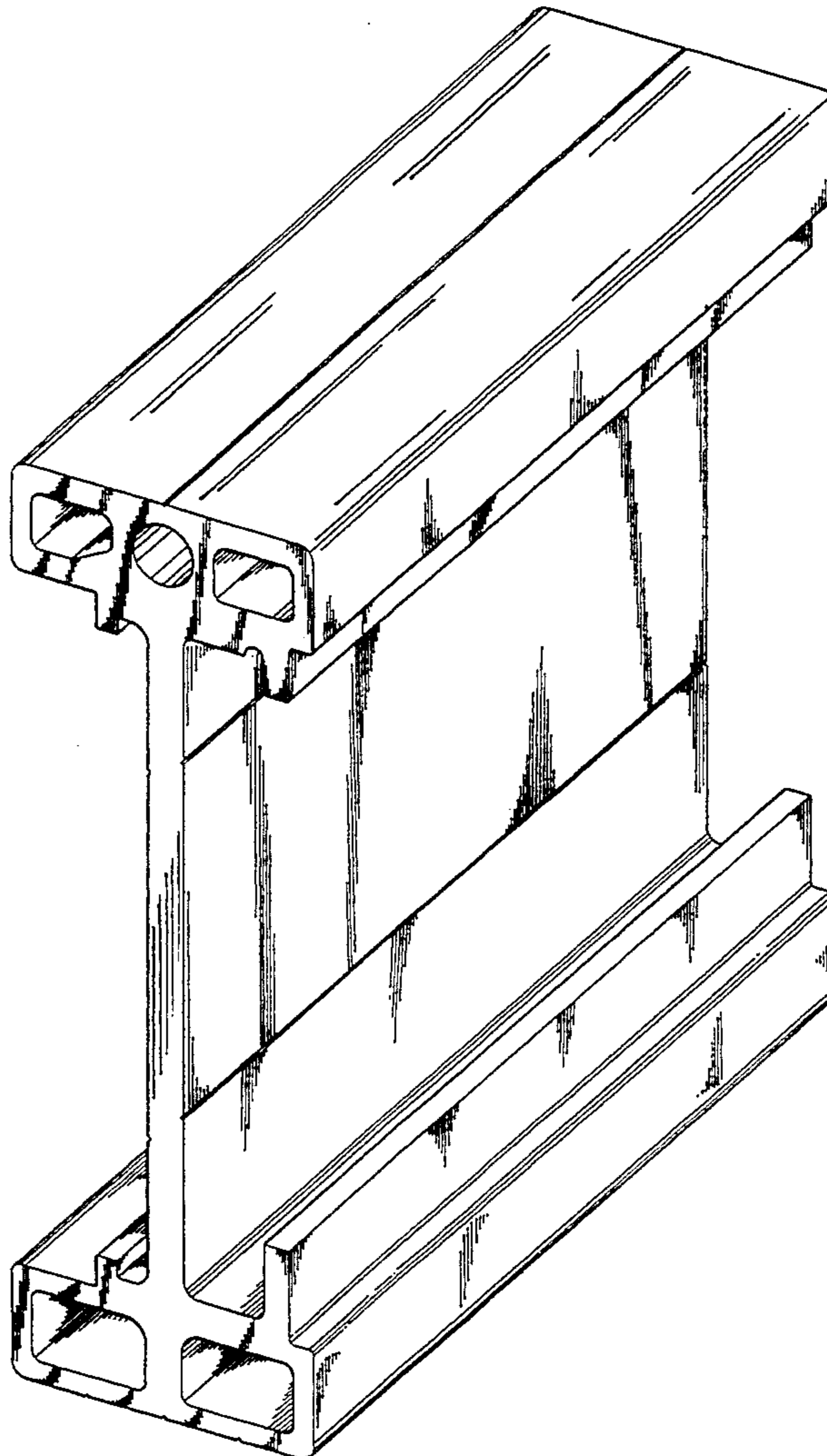
U.S. PATENT DOCUMENTS

D. 289,983	5/1987	Mino et al.	D12/50
D. 346,767	5/1994	Fujita	D12/50
4,733,615	3/1988	Volkstorf et al.	104/93

FIG. 6 is a top plan view of the rail for an automatic monorail system shown in FIG. 1; and,

FIG. 7 is a bottom view of the rail for an automatic monorail system shown in FIG. 1.

Primary Examiner—Wallace R. Burke



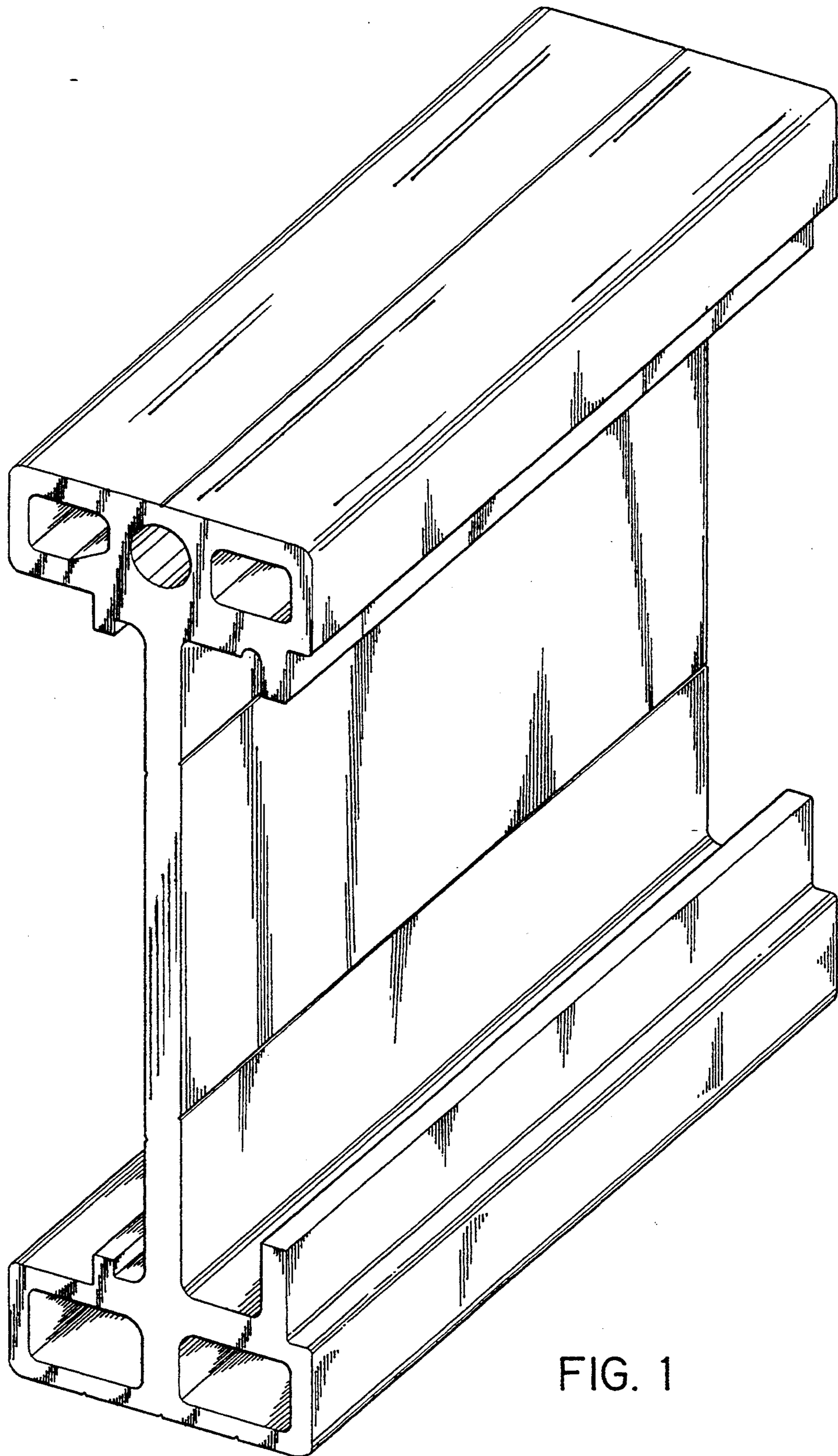


FIG. 1

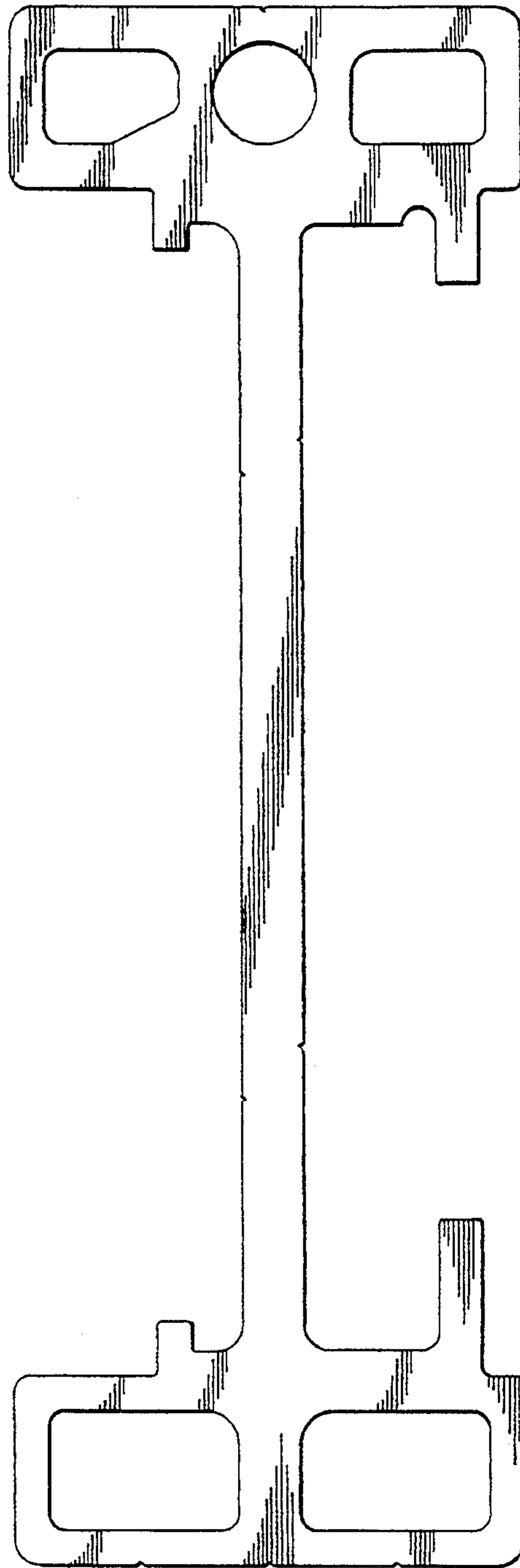


FIG. 2

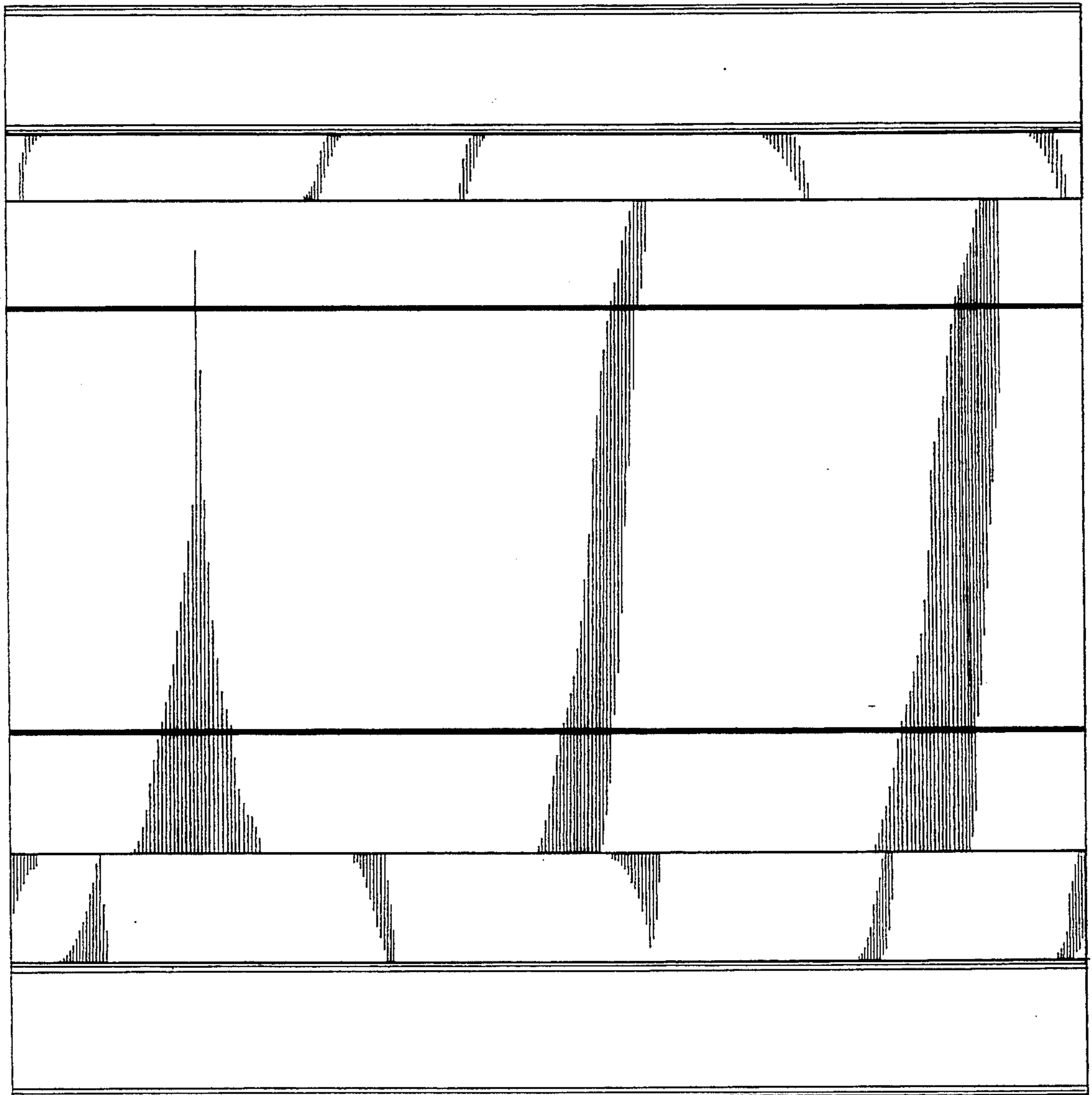


FIG. 3

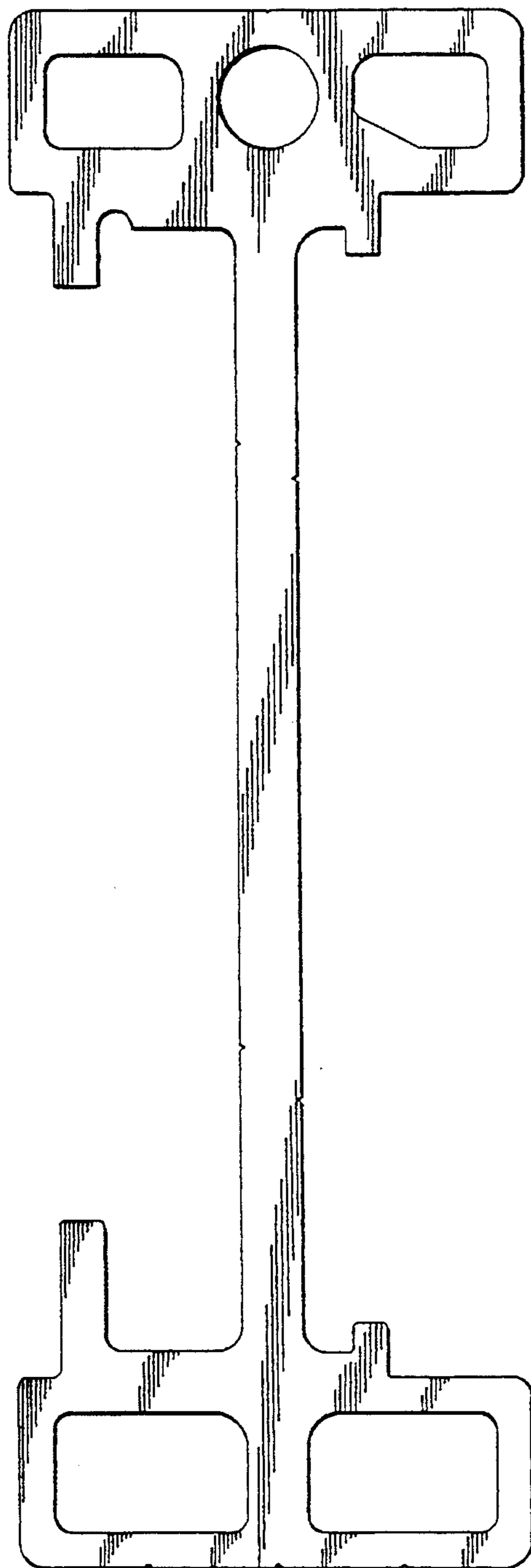


FIG. 4

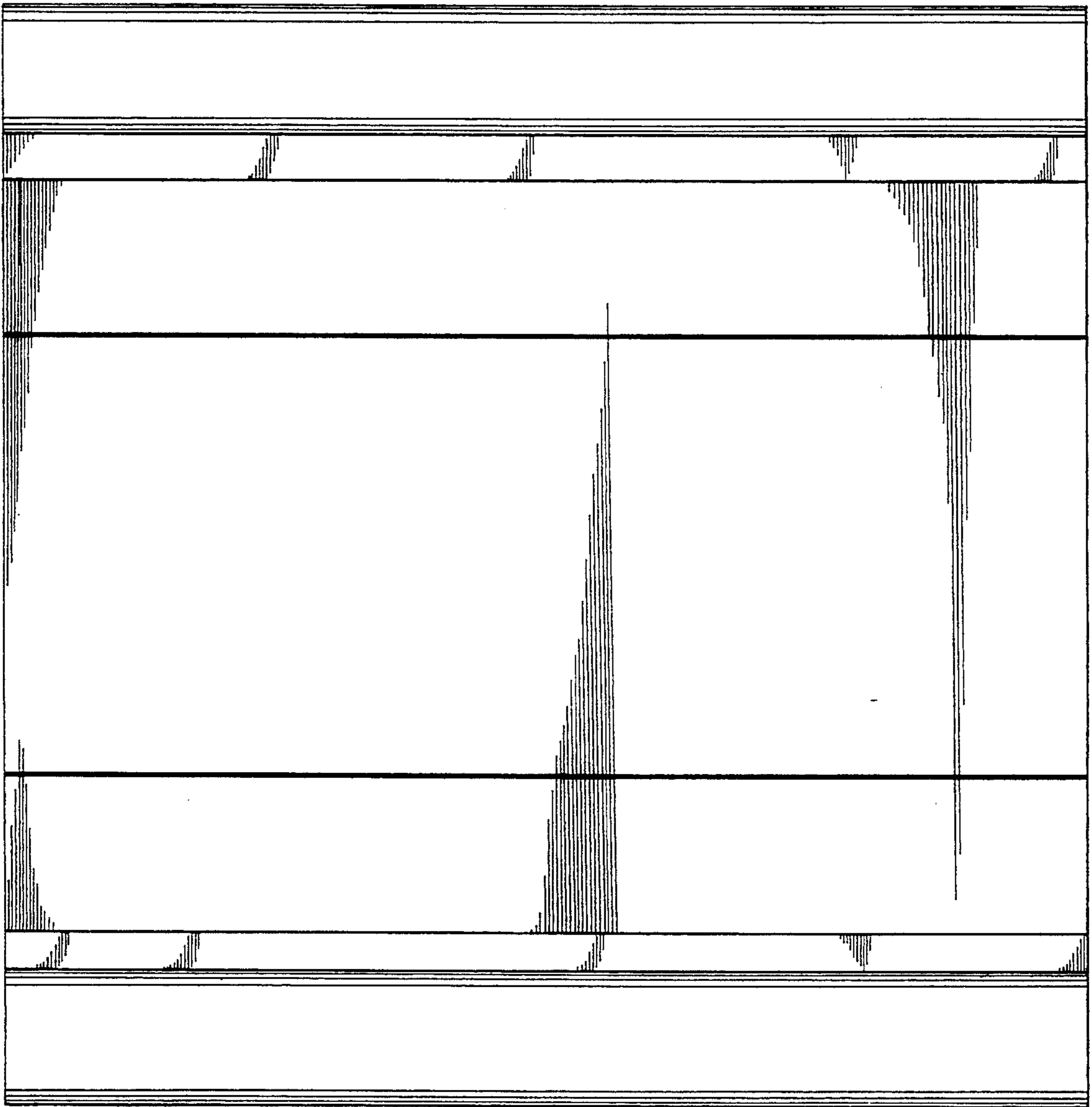


FIG. 5

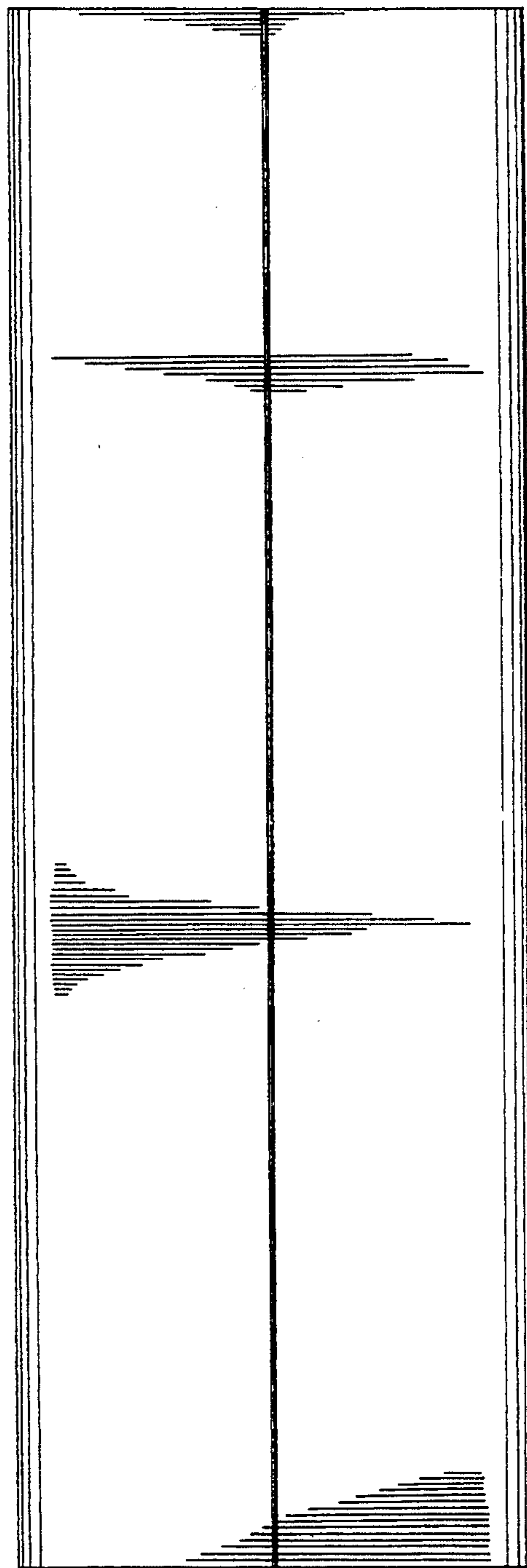


FIG. 6

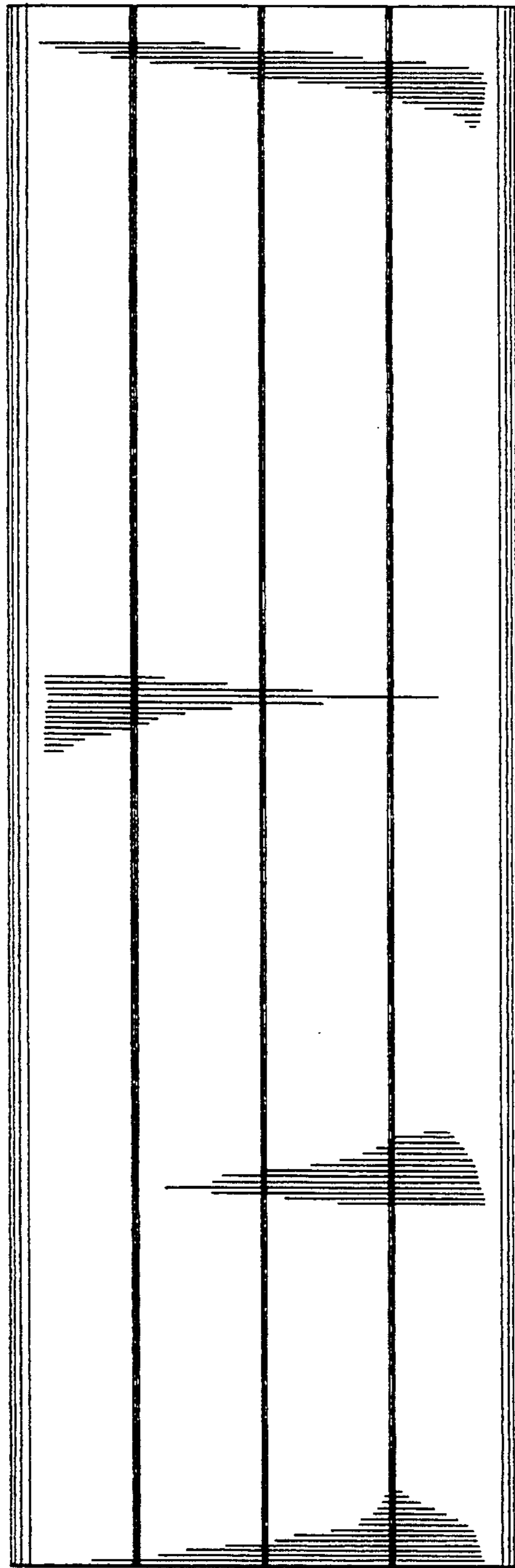


FIG. 7