



US00D353790S

**United States Patent** [19]  
**Emalfarb et al.**

[11] **Patent Number: Des. 353,790**  
[45] **Date of Patent: \*\* Dec. 27, 1994**

[54] **MAILBOX PLANTER BOX HOLDER**  
[76] **Inventors: Seymour Emalfarb, 1585 Saunders Rd., River Woods, Ill. 60015; Bradley S. Emalfarb, 26529 North Highway 83, Mundelein, Ill. 60060**  
[ \* ] **Notice:** The portion of the term of this patent subsequent to Jul. 2, 2008 has been disclaimed.  
[\*\*] **Term: 14 Years**  
[21] **Appl. No.: 13,232**  
[22] **Filed: Sep. 21, 1993**  
[52] **U.S. Cl. .... D11/155**  
[58] **Field of Search ..... D11/152, 143, 155, 156; D6/556, 403, 405**

2,203,632 6/1940 Munsun et al. .  
2,294,151 8/1942 Wooten, Jr. et al. .  
2,764,384 9/1956 Kirsch .  
2,897,976 8/1959 Miller .  
3,013,758 12/1961 Smith .  
3,219,302 11/1965 Smith .  
3,490,726 1/1970 Mills .  
3,511,461 5/1970 Clark .  
3,532,318 10/1970 Lloyd .  
4,011,951 3/1977 Boyer .  
4,418,496 12/1983 Koistinen .  
4,418,883 12/1983 Cohen .  
4,739,582 4/1988 Cullinane .  
5,118,059 6/1992 Mainer .  
5,181,621 1/1993 Plaehn .

**FOREIGN PATENT DOCUMENTS**

717987 of 0000 France ..... D11/.  
68844 6/1958 France .

[56] **References Cited**  
**U.S. PATENT DOCUMENTS**

D. 228,727 10/1973 Harrell .  
D. 231,296 4/1974 Morris .  
D. 259,967 7/1981 Ramsey .  
D. 266,382 10/1982 Hutchinson .  
D. 273,736 5/1984 Barry .  
D. 299,088 12/1988 Monza ..... D6/403  
D. 312,912 12/1990 Klahre ..... D11/143 X  
D. 313,105 12/1990 Klahre ..... D11/143 X  
D. 318,160 7/1991 Allen ..... D6/556 X  
D. 318,352 7/1991 Allen ..... D6/556 X  
D. 322,418 12/1991 White ..... D11/144  
D. 338,122 8/1993 Emalfarb et al. .... D6/403  
D. 339,942 10/1993 Emalfarb et al. .  
760,879 5/1904 Kunzman .  
1,580,847 4/1926 Moineau .  
1,957,353 5/1934 Piersall .

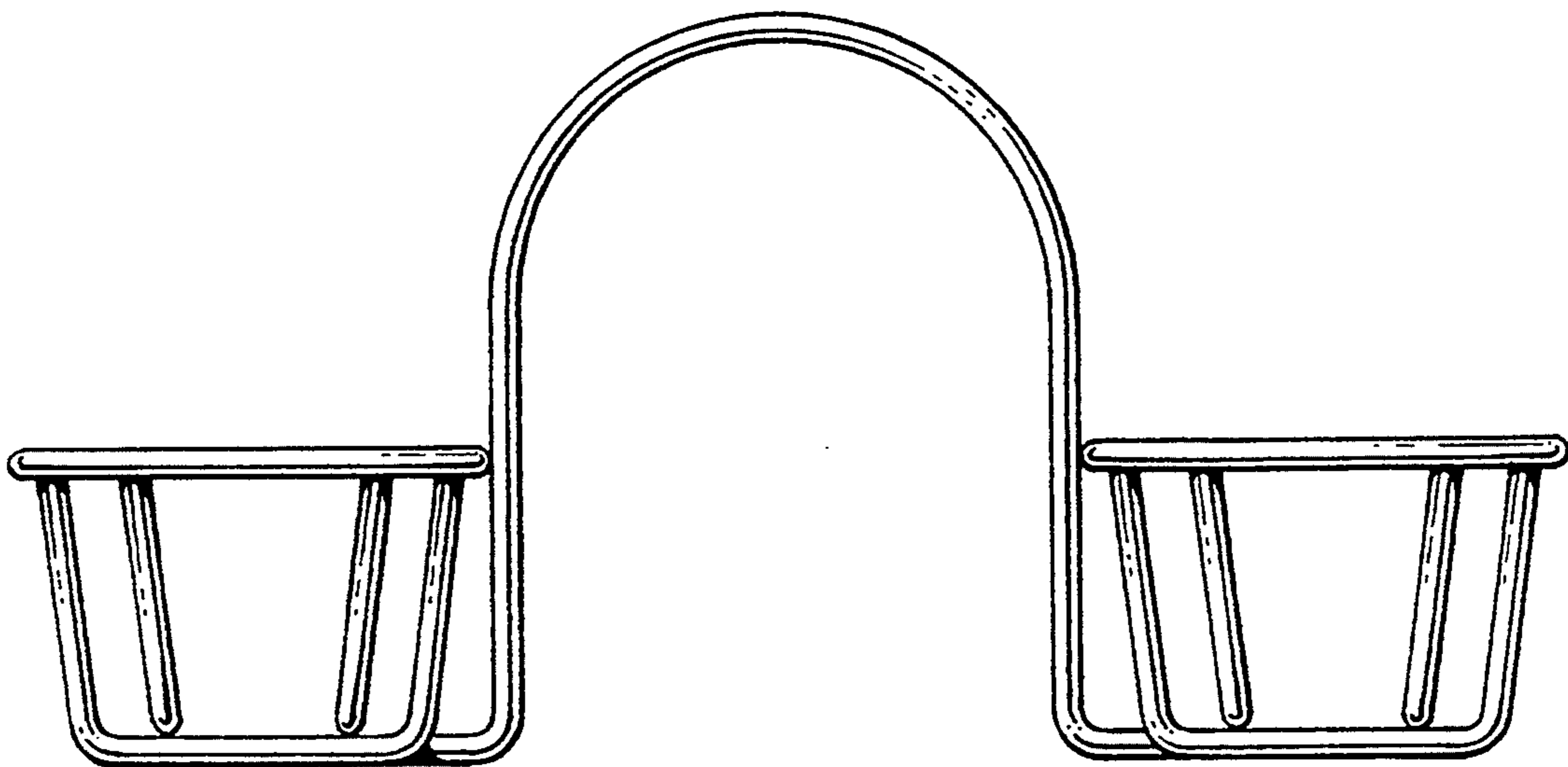
*Primary Examiner*—Alan P. Douglas  
*Assistant Examiner*—S. Snapp  
*Attorney, Agent, or Firm*—Wood, Phillips, VanSanten, Hoffman & Ertel

[57] **CLAIM**

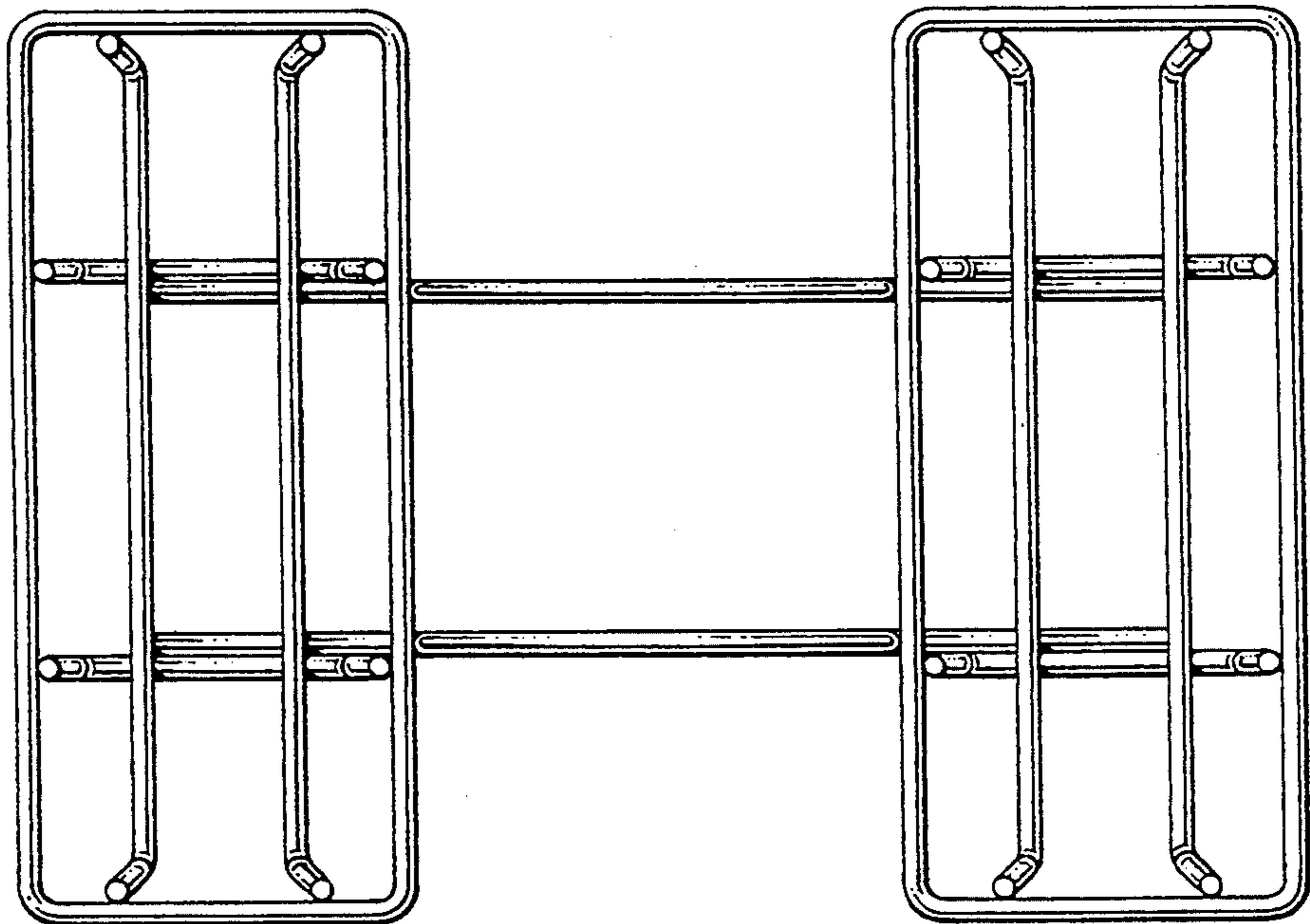
The ornamental design of a mailbox planter box holder, as shown and described.

**DESCRIPTION**

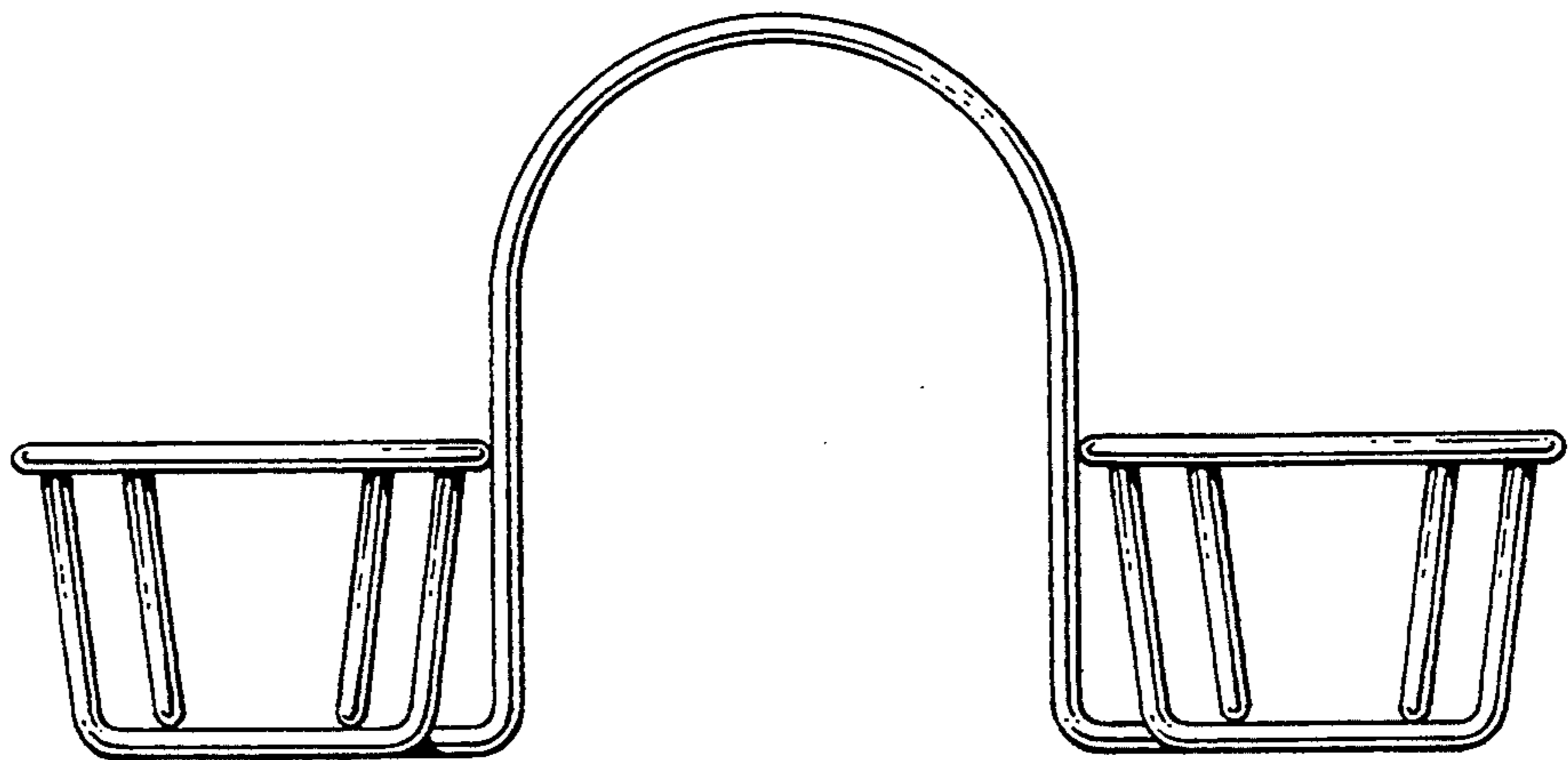
FIG. 1 is a front elevation view of a mailbox planter box holder showing our new design;  
FIG. 2 is a top plan view thereof;  
FIG. 3 is a bottom plan view thereof;  
FIG. 4 is a rear elevation view thereof;  
FIG. 5 is a right side elevation view thereof; and,  
FIG. 6 is a left side elevation view thereof.



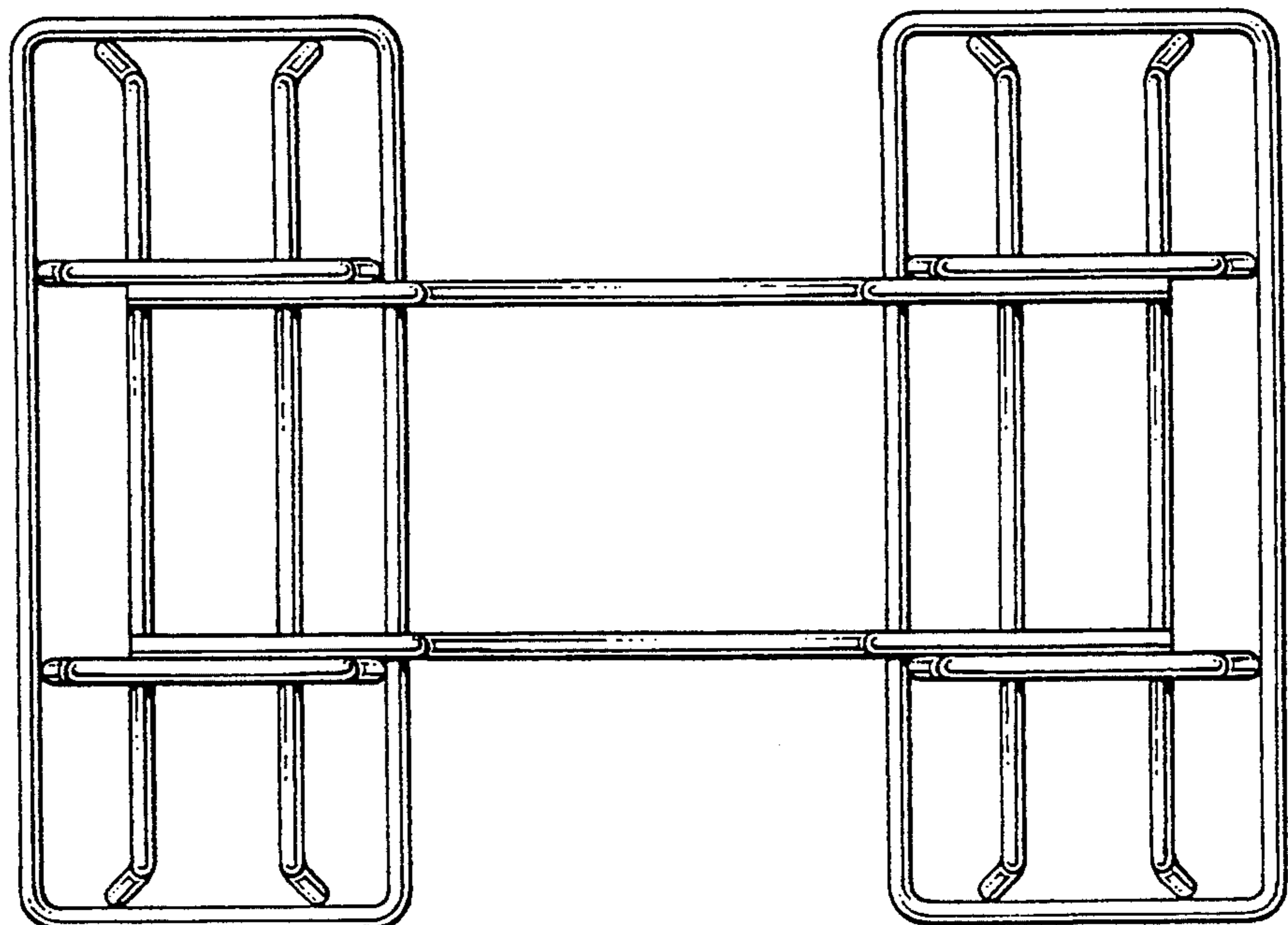
*Fig. 2*



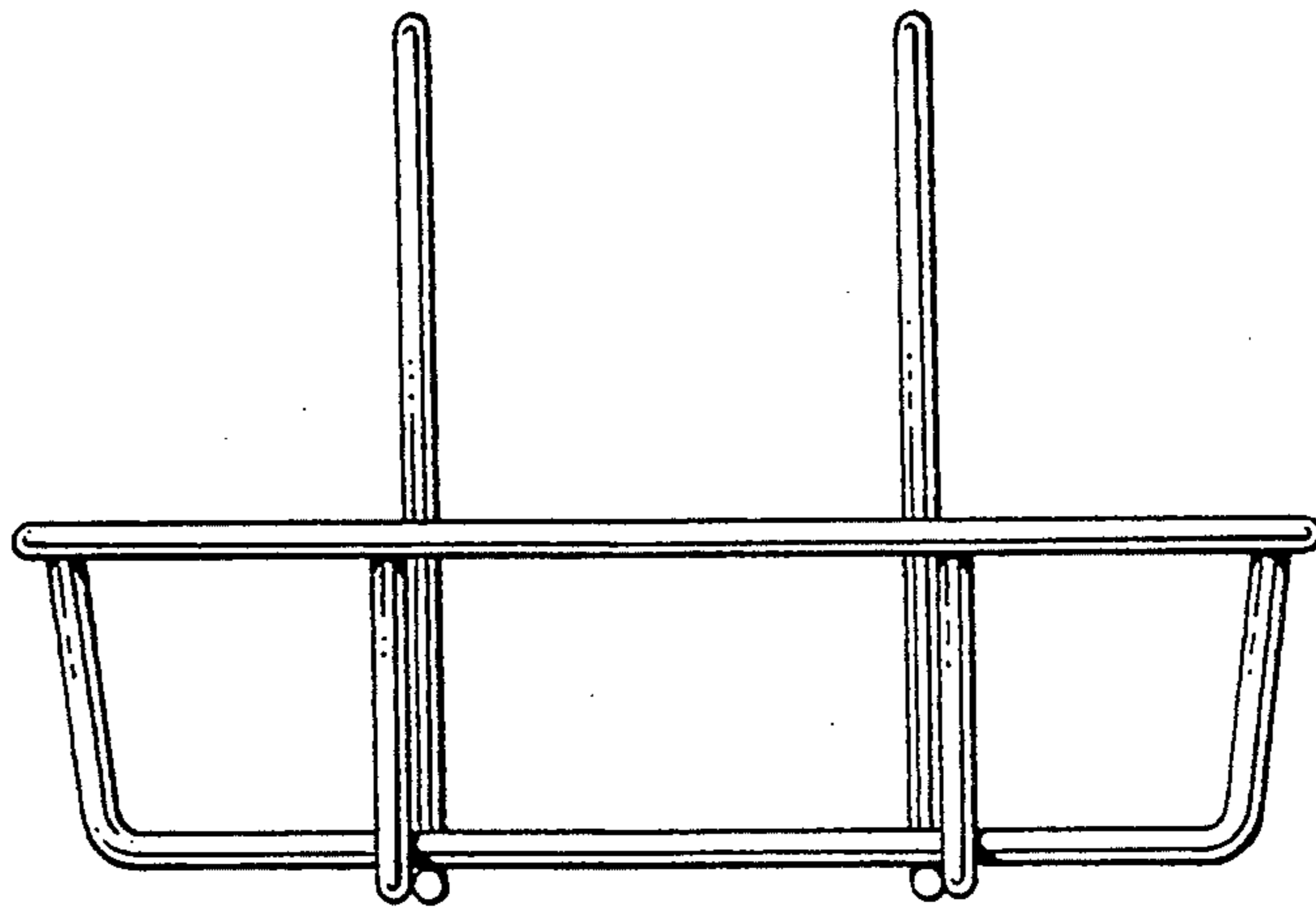
*Fig. 1*



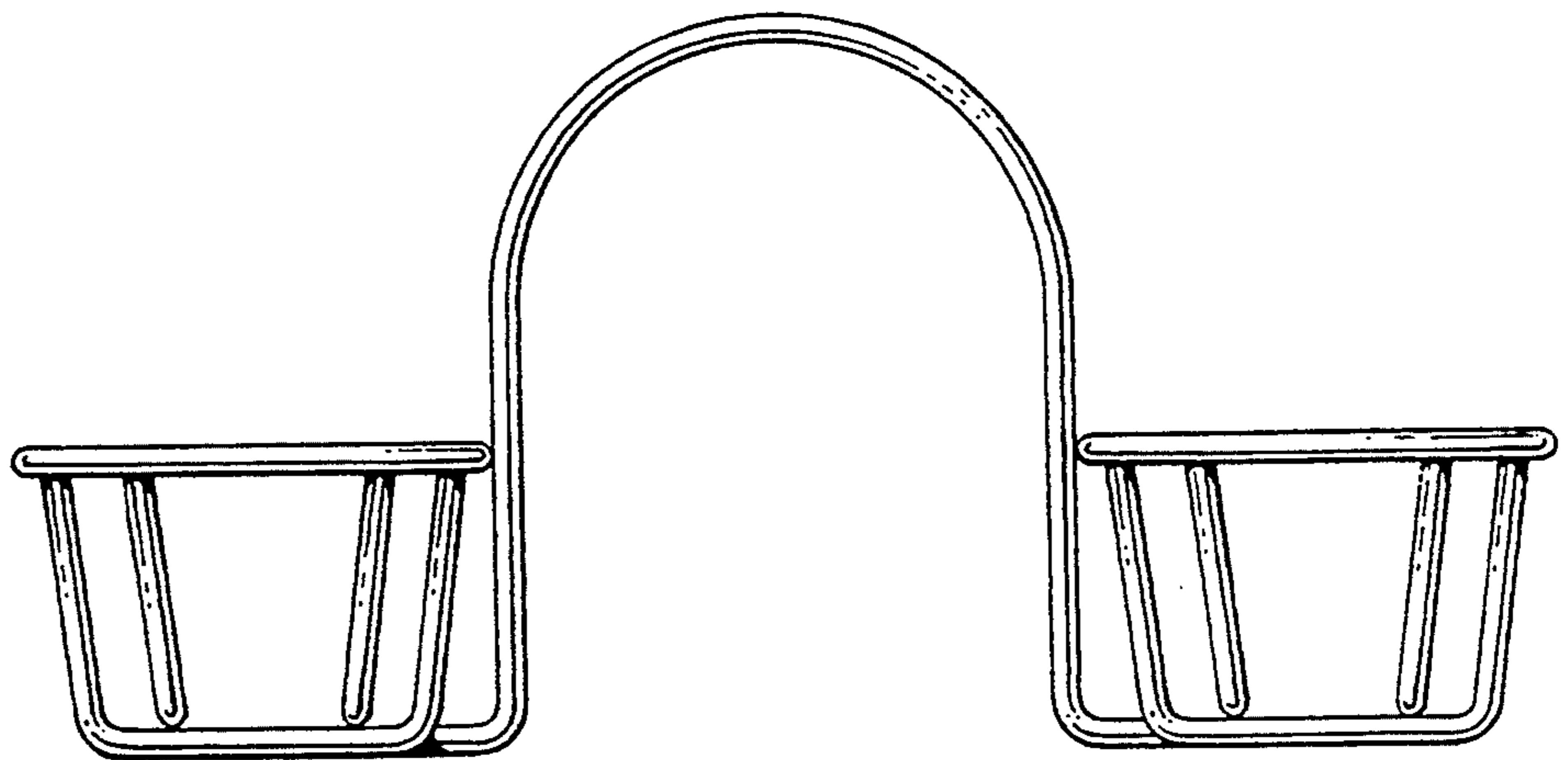
*Fig. 3*



*Fig. 5*



*Fig. 4*



*Fig. 6*

