



US00D353788S

# United States Patent [19]

[11] Patent Number: **Des. 353,788**

Frost et al.

[45] Date of Patent: **\*\* Dec. 27, 1994**

[54] **CHRISTMAS TREE STAND**

[75] Inventors: **David Frost; Matthew Leung**, both of Long Beach, Calif.

[73] Assignee: **Lincoln Imports Ltd Inc.**, Placentia, Calif.

[\*] Notice: The portion of the term of this patent subsequent to Dec. 28, 2007 has been disclaimed.

[\*\*] Term: **14 Years**

[21] Appl. No.: **3,801**

[22] Filed: **Jan. 15, 1993**

[52] U.S. Cl. .... **D11/130.1**

[58] Field of Search ..... **D11/130.1; 47/40.5; 248/519, 523, 528, 529**

2,670,163	2/1954	Armitage .....	248/47
2,699,308	1/1955	Shackleford .....	248/47
2,786,641	3/1957	Applegate .....	248/46
2,875,968	3/1959	Ekola .....	D11/130.1 X
2,908,461	10/1959	Coffeen .....	47/40.5
3,387,808	6/1968	Metcalf .....	248/46
3,526,380	9/1970	Tong .....	248/46
3,838,838	10/1974	Seamon, Jr. ....	D11/130.1 X
4,288,052	9/1981	Scott .....	248/188.6
4,406,437	9/1983	Wright .....	248/529
4,763,866	8/1988	Sinchok .....	248/188.7
5,022,620	6/1991	Scott .....	248/188.6

*Primary Examiner*—Melvin B. Feifer  
*Assistant Examiner*—Dominic Simone  
*Attorney, Agent, or Firm*—Fulwider Patton Lee & Utecht

### [57] CLAIM

The ornamental design for a Christmas tree stand, as shown and described.

### DESCRIPTION

FIG. 1 is a front perspective view of a Christmas tree stand showing our new design;  
 FIG. 2 is a top plan view thereof;  
 FIG. 3 is a front elevational view thereof;  
 FIG. 4 is a right side elevational view thereof;  
 FIG. 5 is a left side elevational view thereof;  
 FIG. 6 is a rear elevational view thereof; and,  
 FIG. 7 is a bottom plan view thereof.

[56] **References Cited**

**U.S. PATENT DOCUMENTS**

D. 342,694	12/1993	Frost .....	D11/130.1
781,552	1/1905	Riek .	
1,559,563	11/1925	Edmister .	
1,575,488	3/1926	Jakobey .	
1,912,054	5/1933	Wright .	
1,943,269	1/1934	Holden .....	47/40.5 X
2,500,215	3/1950	Swearingen .....	248/46
2,531,690	11/1950	Kennel .....	248/46

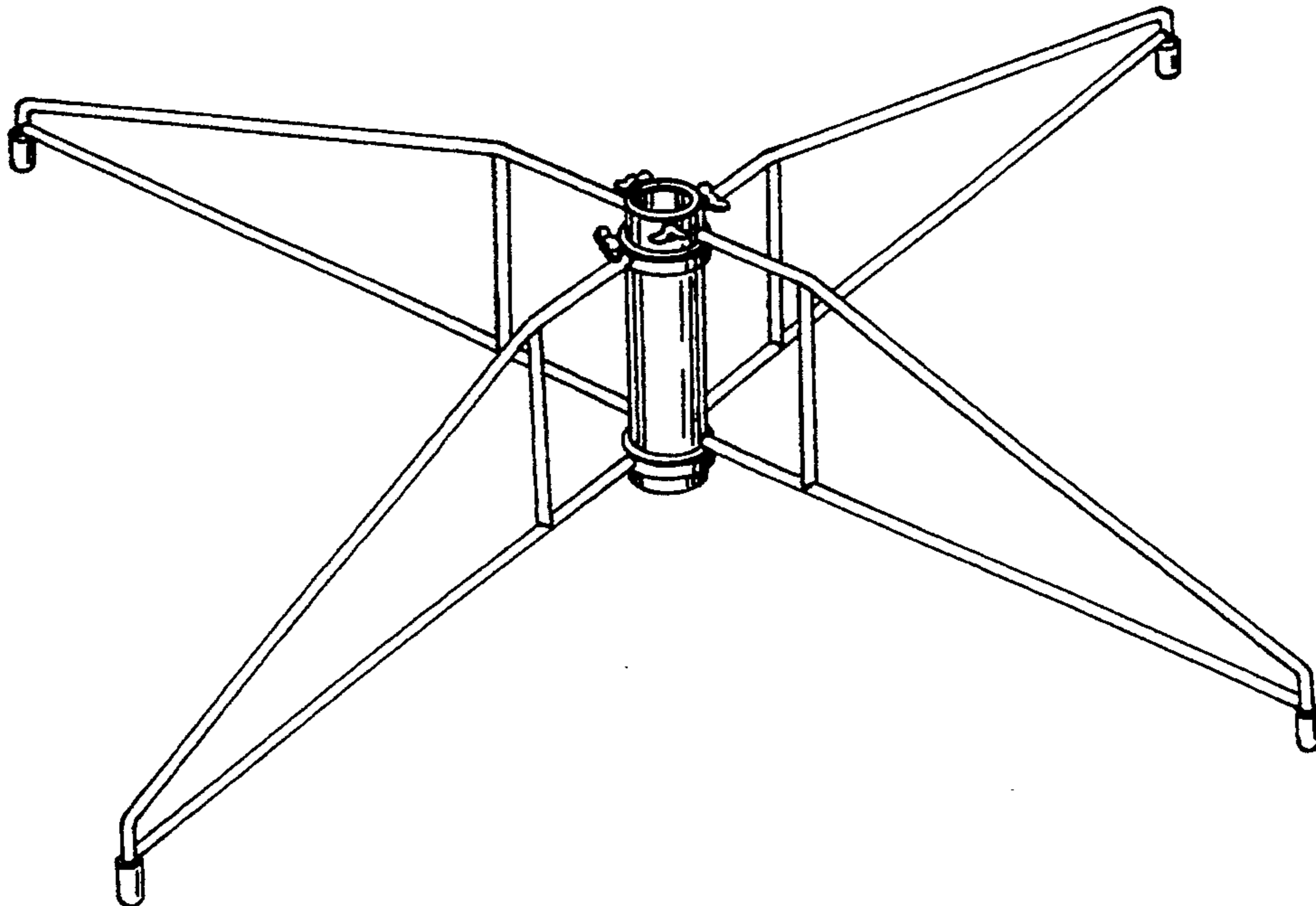


FIG. 1

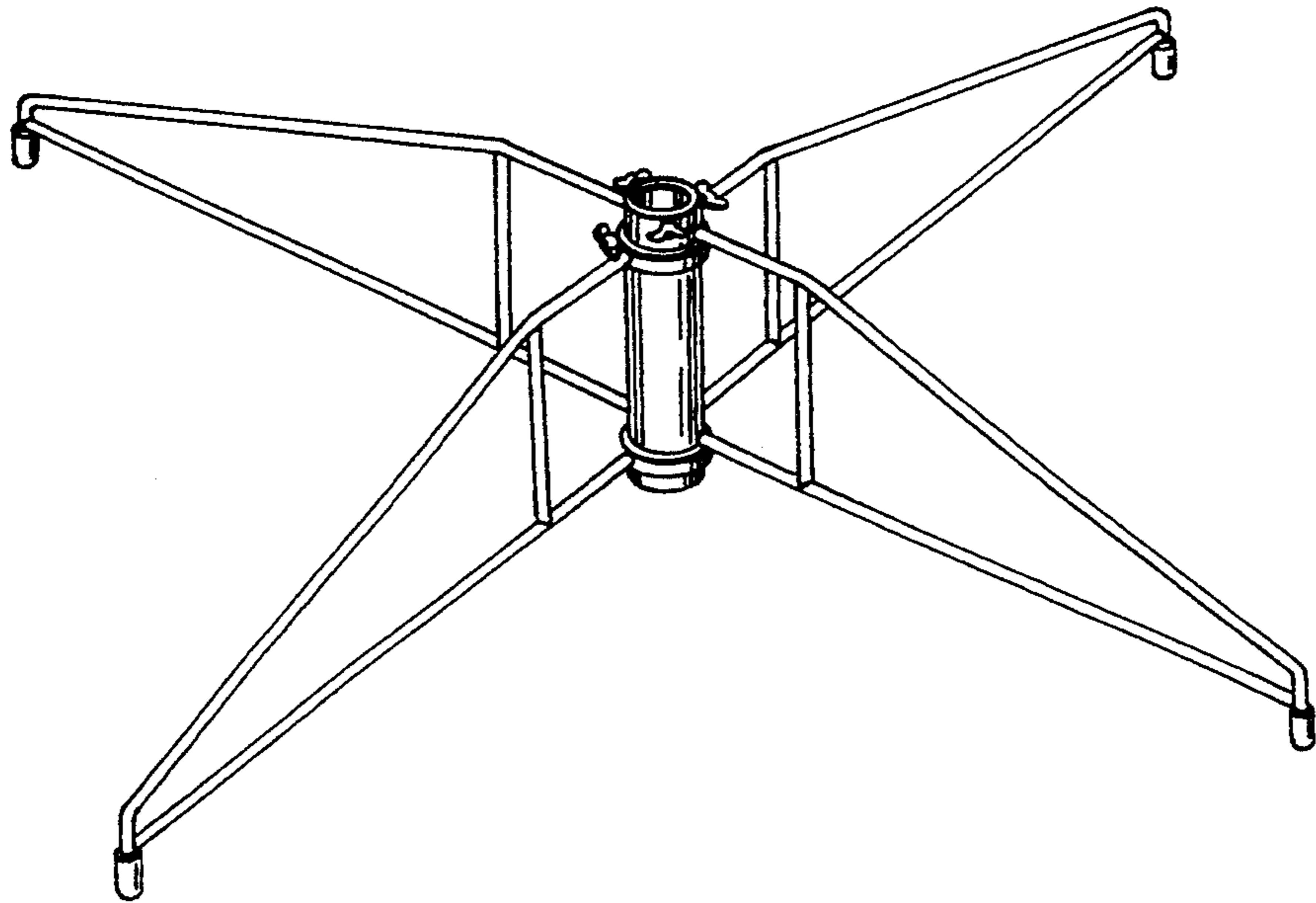


FIG. 2

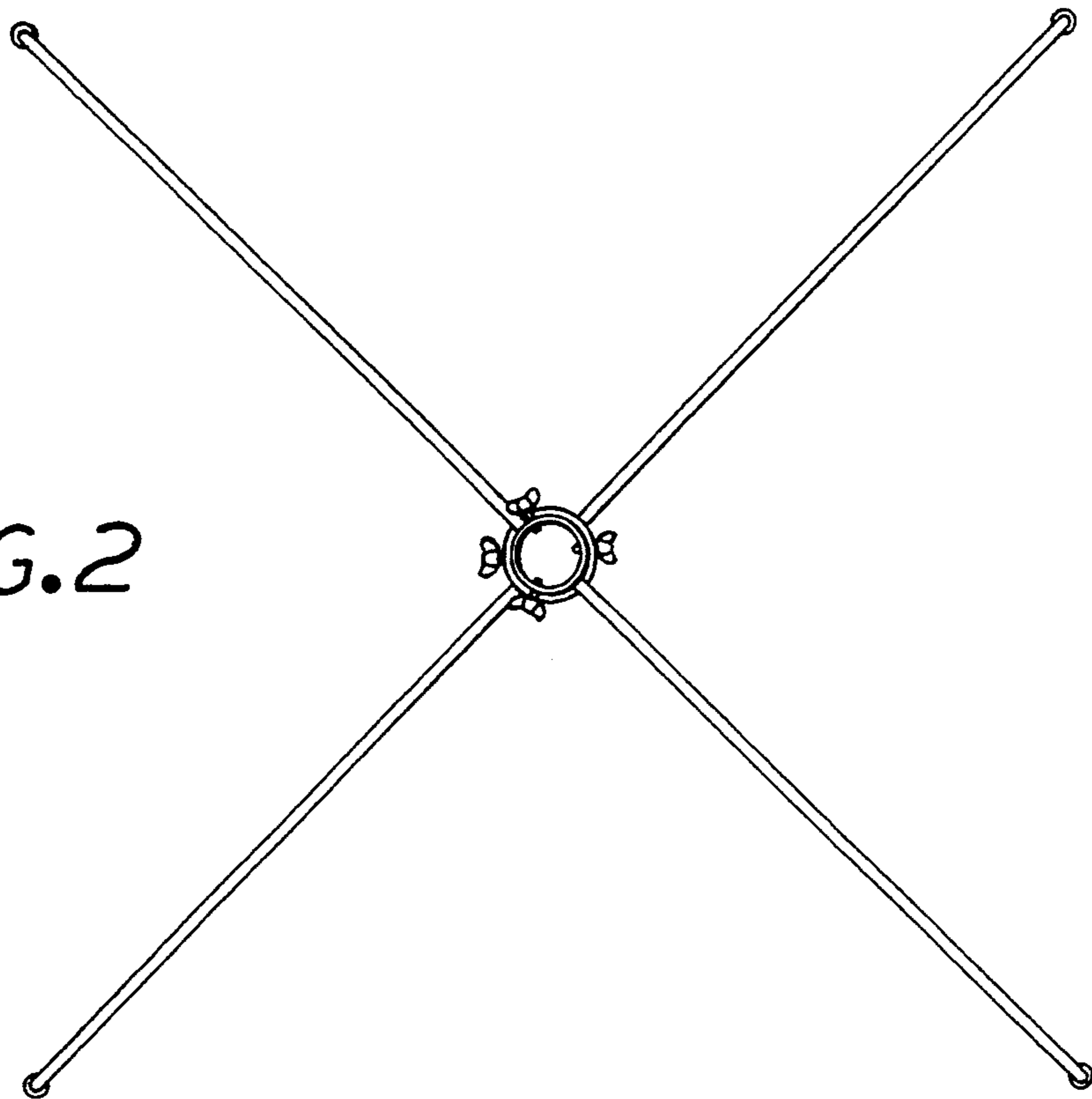


FIG. 3

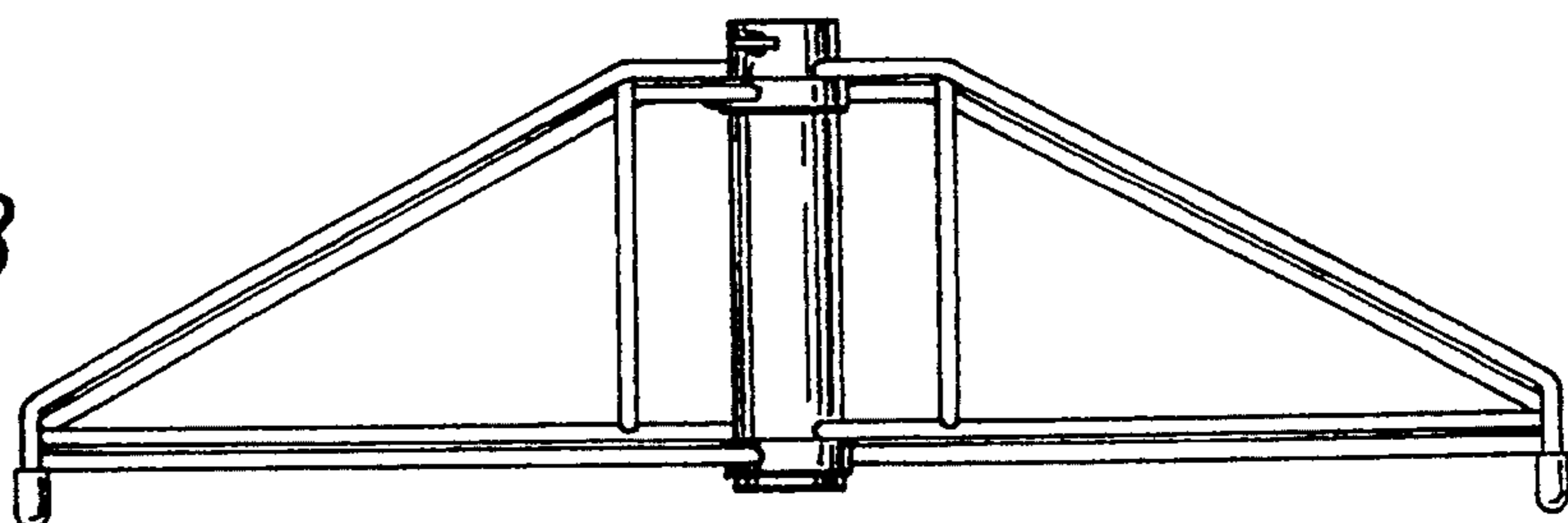


FIG. 4

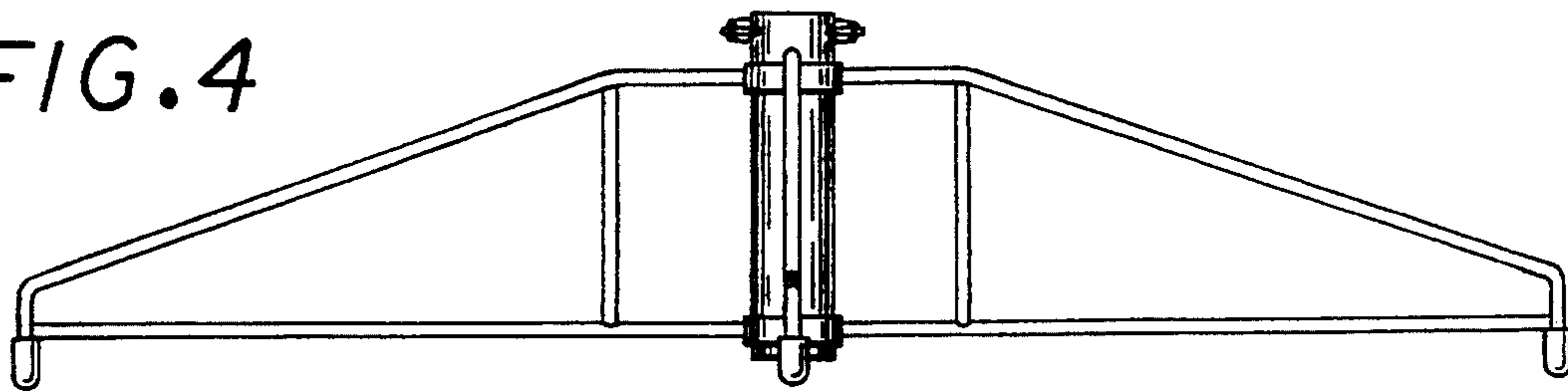


FIG. 5

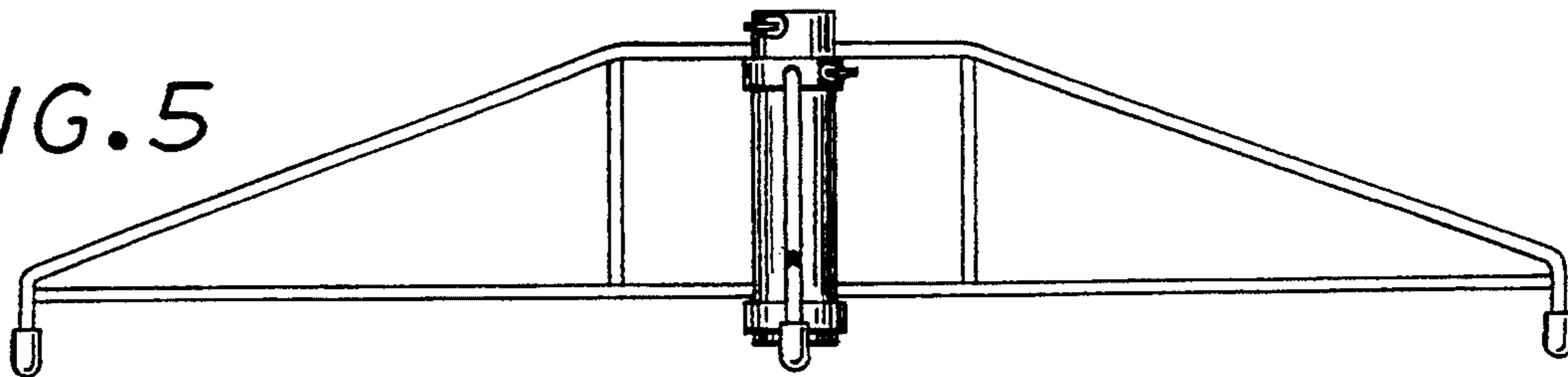


FIG. 6

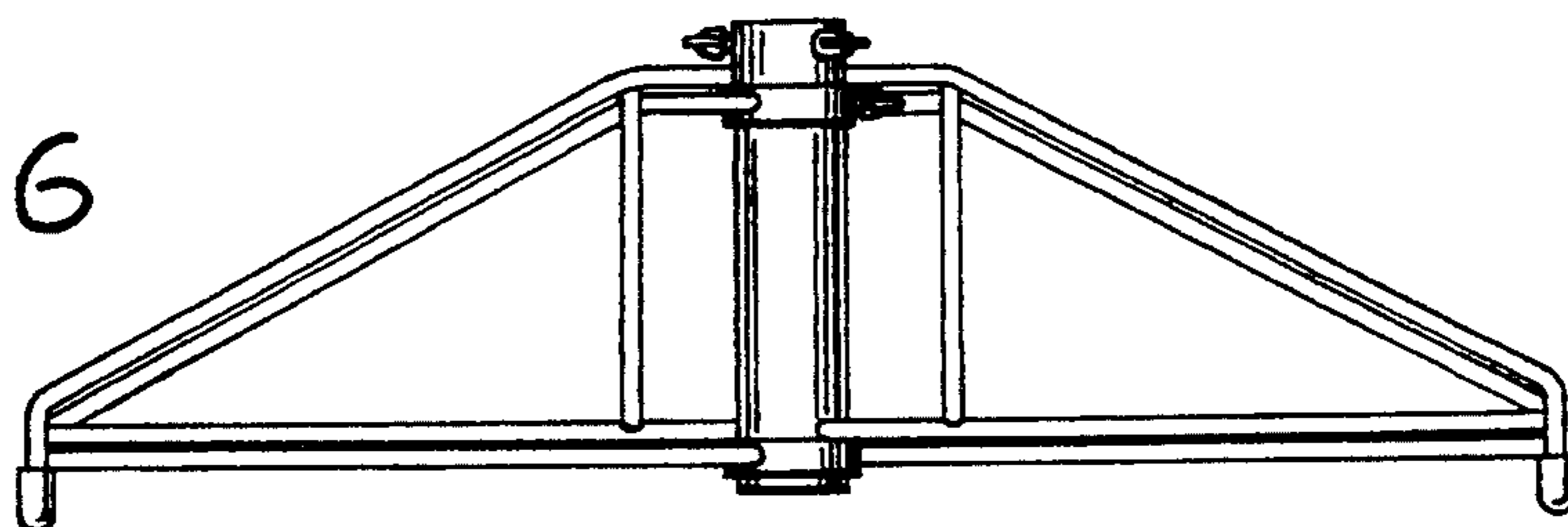


FIG. 7

