



US00D353782S

United States Patent [19]

[11] Patent Number: **Des. 353,782**

Burton

[45] Date of Patent: **** Dec. 27, 1994**

[54] **DEVICE UTILIZED IN CONVERTING ELECTRICAL METER RATE TO CURRENCY RATE**

4,454,414	6/1984	Benton	235/381	X
4,736,096	4/1988	Ushikubo	235/381	X
4,804,826	2/1989	Hertzen et al.	235/381	X
5,146,067	9/1992	Sloan et al.	235/381	

[76] Inventor: **Larry L. Burton**, 7228 Whyte Ave., Citrus Heights, Calif. 95621

Primary Examiner—Alan P. Douglas
Assistant Examiner—Antoine D. Davis
Attorney, Agent, or Firm—Hugh E. Smith

[**] Term: **14 Years**

[21] Appl. No.: **887,795**

[57] **CLAIM**

[22] Filed: **May 26, 1992**

The ornamental design for a device utilized in converting electrical meter rate to currency rate, as shown and described.

[52] U.S. Cl. **D10/78**

[58] Field of Search **D10/78, 80, 75, 99-102; 307/40, 129; 324/113, 142; 340/310 A, 870.02, 870.29, 825.35; 364/464.04, 483; 361/182; 235/381, 449; 285/61 L, 61 M, 94 A; D13/142, 147, 162**

DESCRIPTION

[56] **References Cited**

U.S. PATENT DOCUMENTS

D. 198,025	4/1964	Seabury, Jr. et al.	D10/78
D. 211,347	6/1968	Mays	D10/78
D. 278,984	5/1985	Roberts, Sr.	D10/78
D. 286,815	11/1986	Graumann	D10/78
D. 295,025	4/1988	Vaught	D10/102 X
D. 335,485	5/1993	McPate	D13/142
D. 339,077	9/1993	Chrétien	D10/75
D. 343,133	1/1994	Matuszewski	D10/100 X

FIG. 1 is a front elevational view of the device utilized in converting electrical meter rate to currency rate showing my new design;

FIG. 2 is a rear elevational view thereof;

FIG. 3 is a left side elevational view thereof;

FIG. 4 is a right side elevational view thereof;

FIG. 5 is a top plan view thereof;

FIG. 6 is a bottom plan view thereof; and,

FIG. 7 is an isometric view thereof.

The broken line showing of numeral 88 is for illustrative purposes only and forms no part of the claimed design, while the electrical cord member has been shown broken away for ease of illustration.

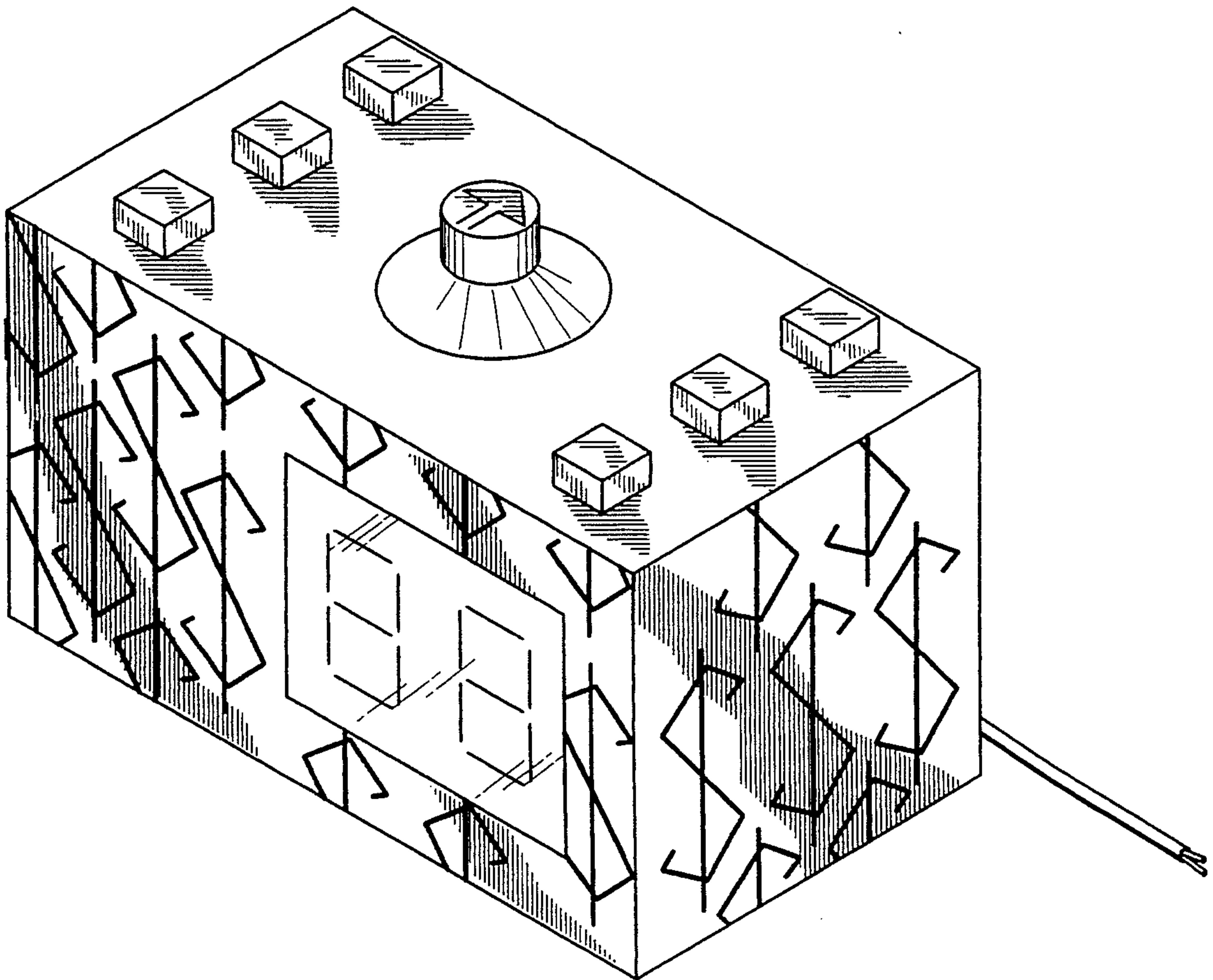


FIG. 1

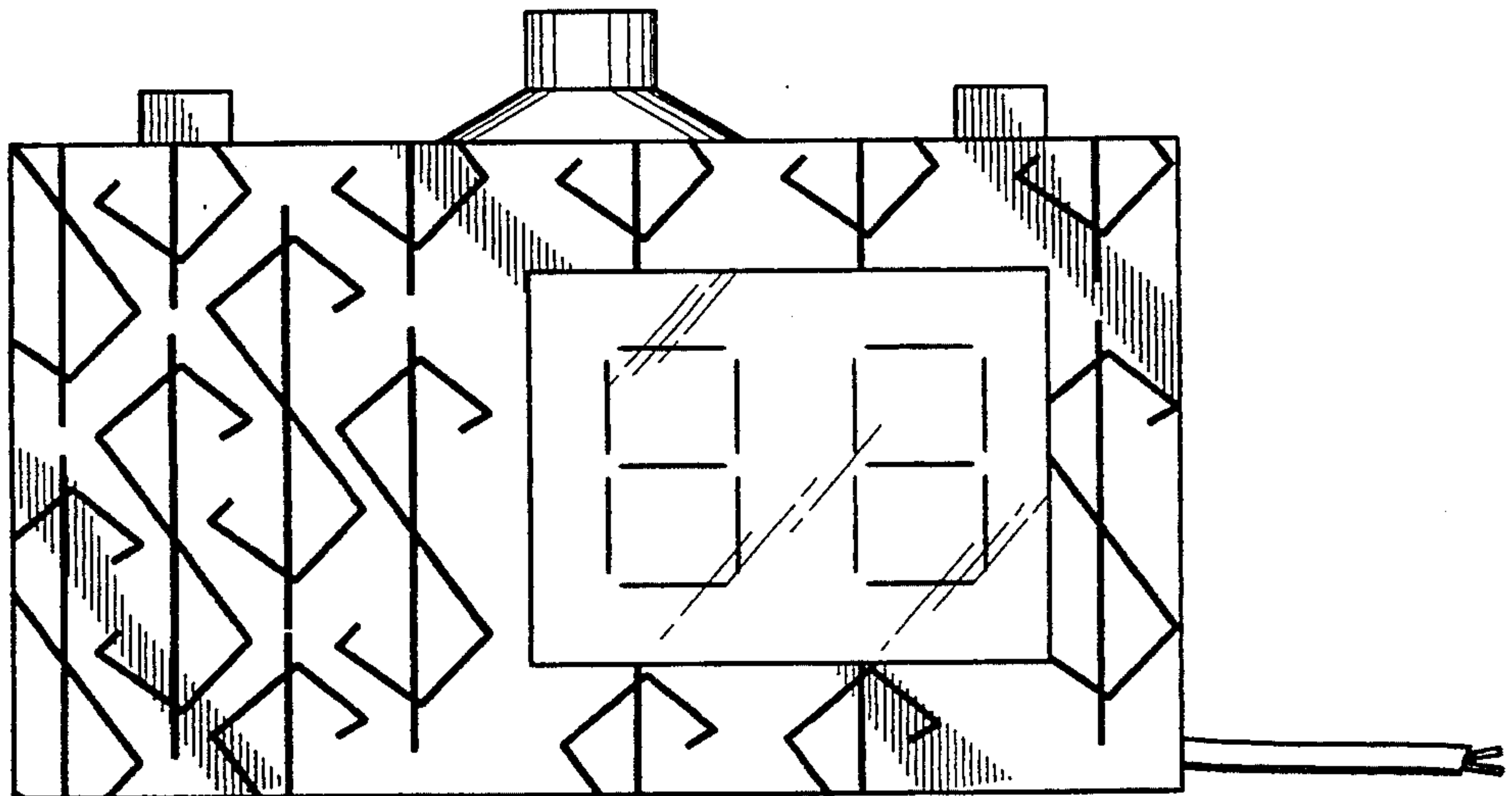


FIG. 2

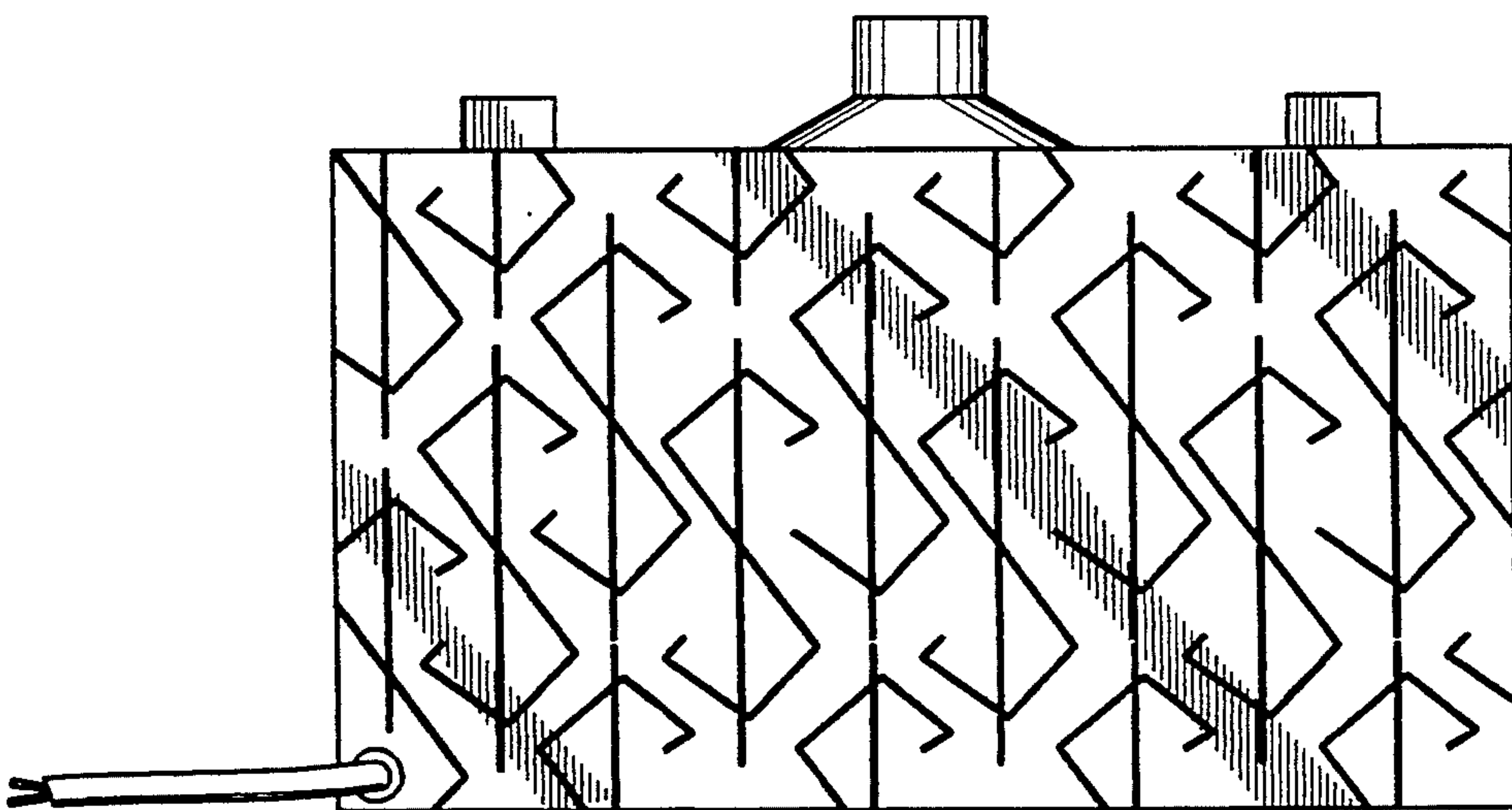


FIG. 3

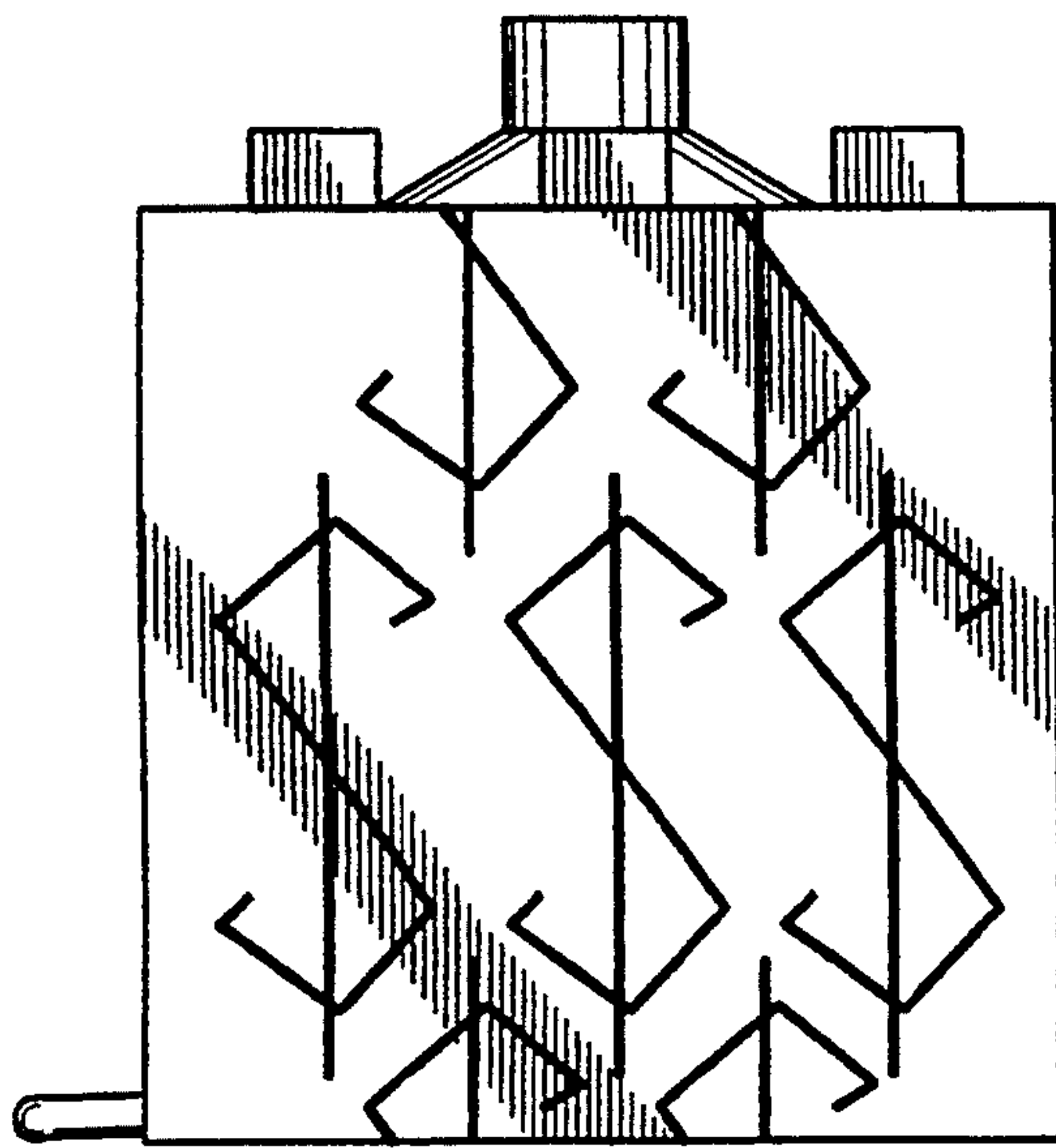


FIG. 4

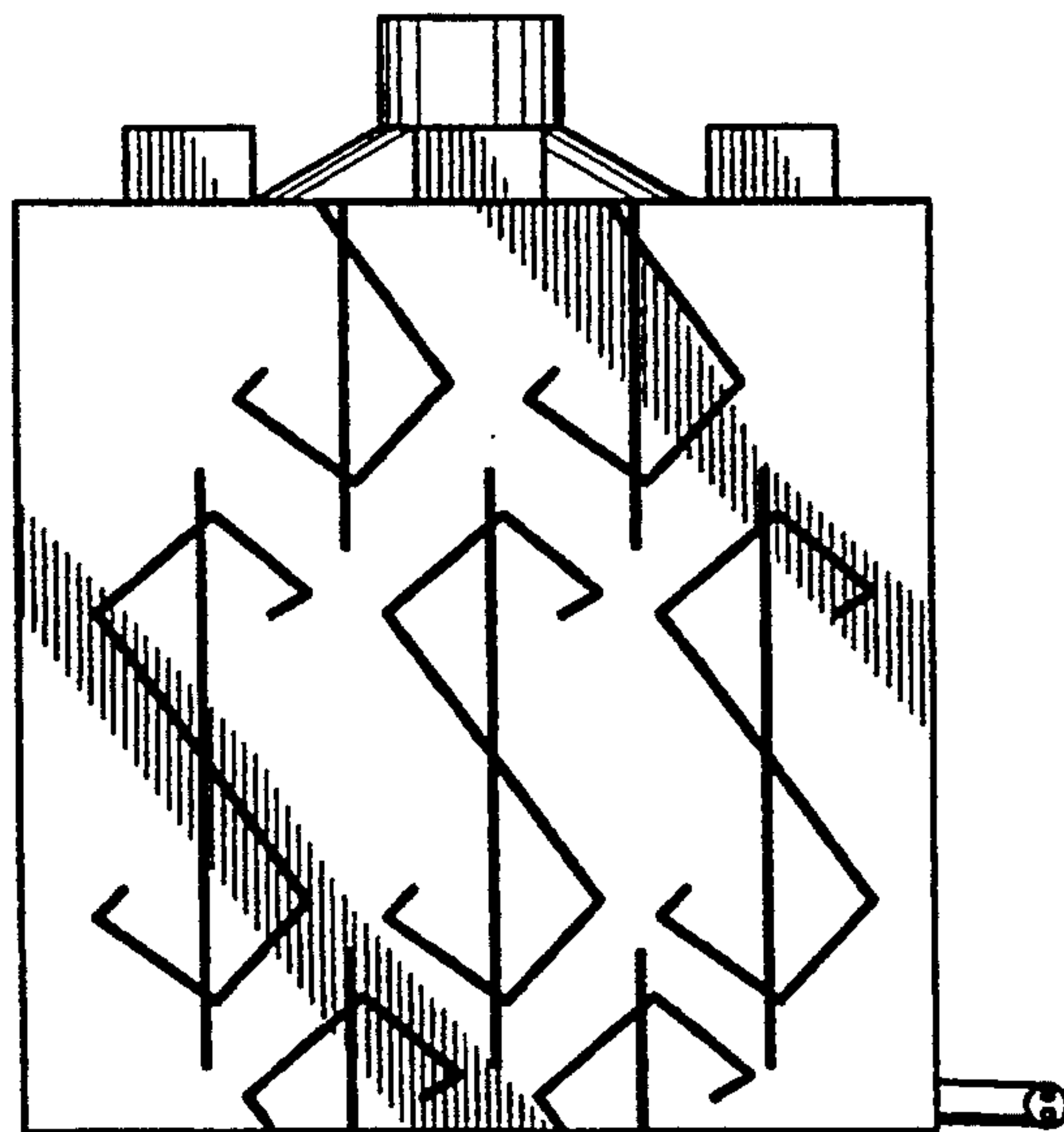


FIG. 5

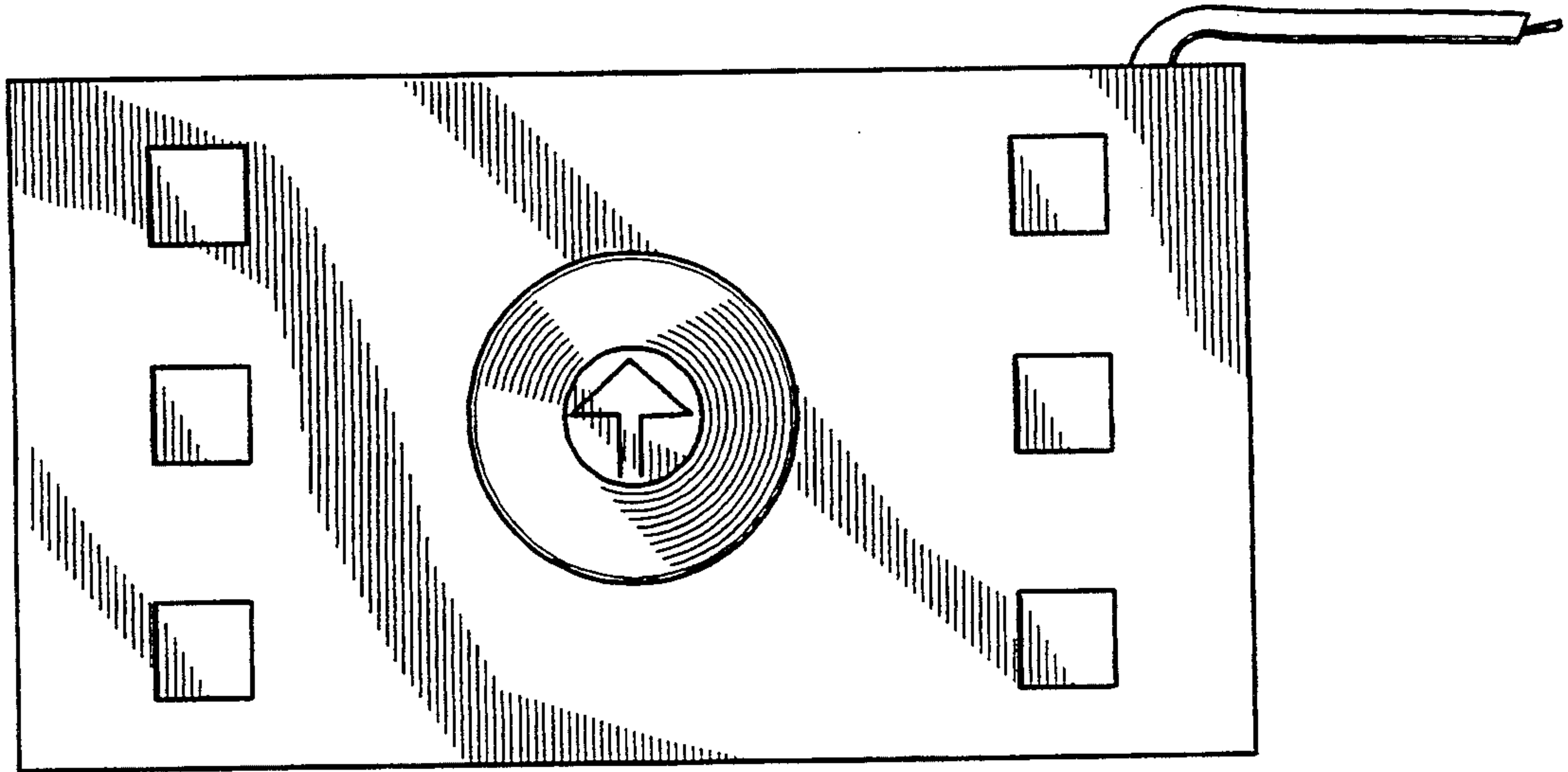


FIG. 6

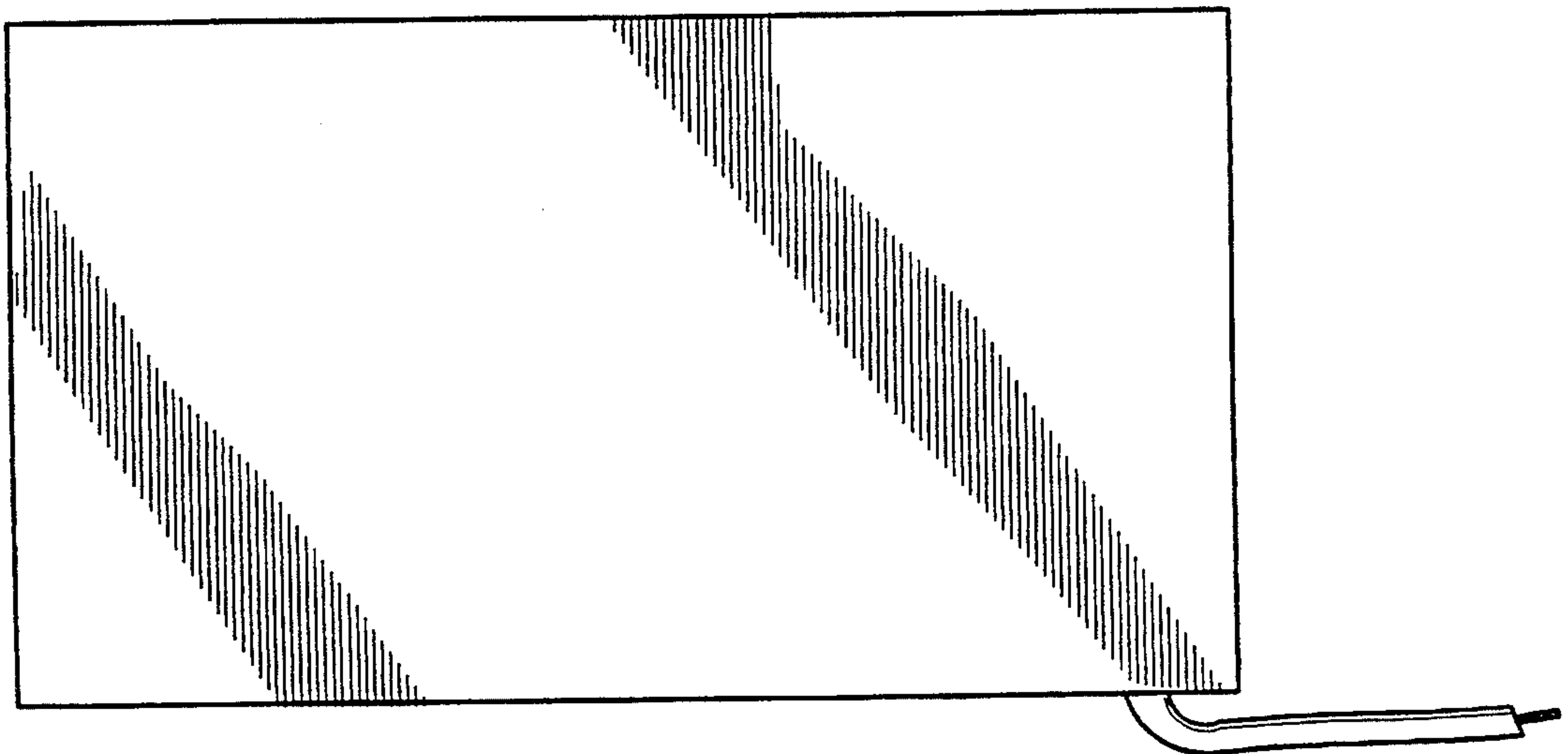


FIG. 7

