



US00D353770S

United States Patent [19]
Prince

[11] **Patent Number: Des. 353,770**

[45] **Date of Patent: ** Dec. 27, 1994**

[54] **CRADLE FOR GAS CYLINDER**

[76] **Inventor: James T. Prince, 3539 Atdoann Dr., Birmingham, Ala. 35226**

[**] **Term: 14 Years**

[21] **Appl. No.: 884,836**

[22] **Filed: May 18, 1992**

[52] **U.S. Cl. D9/455**

[58] **Field of Search D6/466-475,
D6/490, 512, 524, 545, 552, 553; D9/434-436,
455-456, 499; 248/146, 158, 174, 176, 671;
D24/227**

[56] **References Cited**

U.S. PATENT DOCUMENTS

D. 196,129	8/1963	Torresen	D6/490 X
D. 227,065	6/1973	Mayers	D6/490 X
D. 326,413	5/1992	Vitous	D9/455
D. 332,404	1/1993	Monighetti et al.	D9/434 X
D. 338,795	8/1993	Huang et al.	D6/552
405,523	6/1889	Barton	248/671
4,305,508	12/1981	Rodgers	248/671 X
4,911,310	3/1990	Raishe et al.	D6/552 X
5,078,155	1/1992	Grandel	D9/455 X

FOREIGN PATENT DOCUMENTS

767060 7/1934 France 248/671

OTHER PUBLICATIONS

Popular Mechanics, Feb. 1978, Tennis Racket Rack, p. 124.

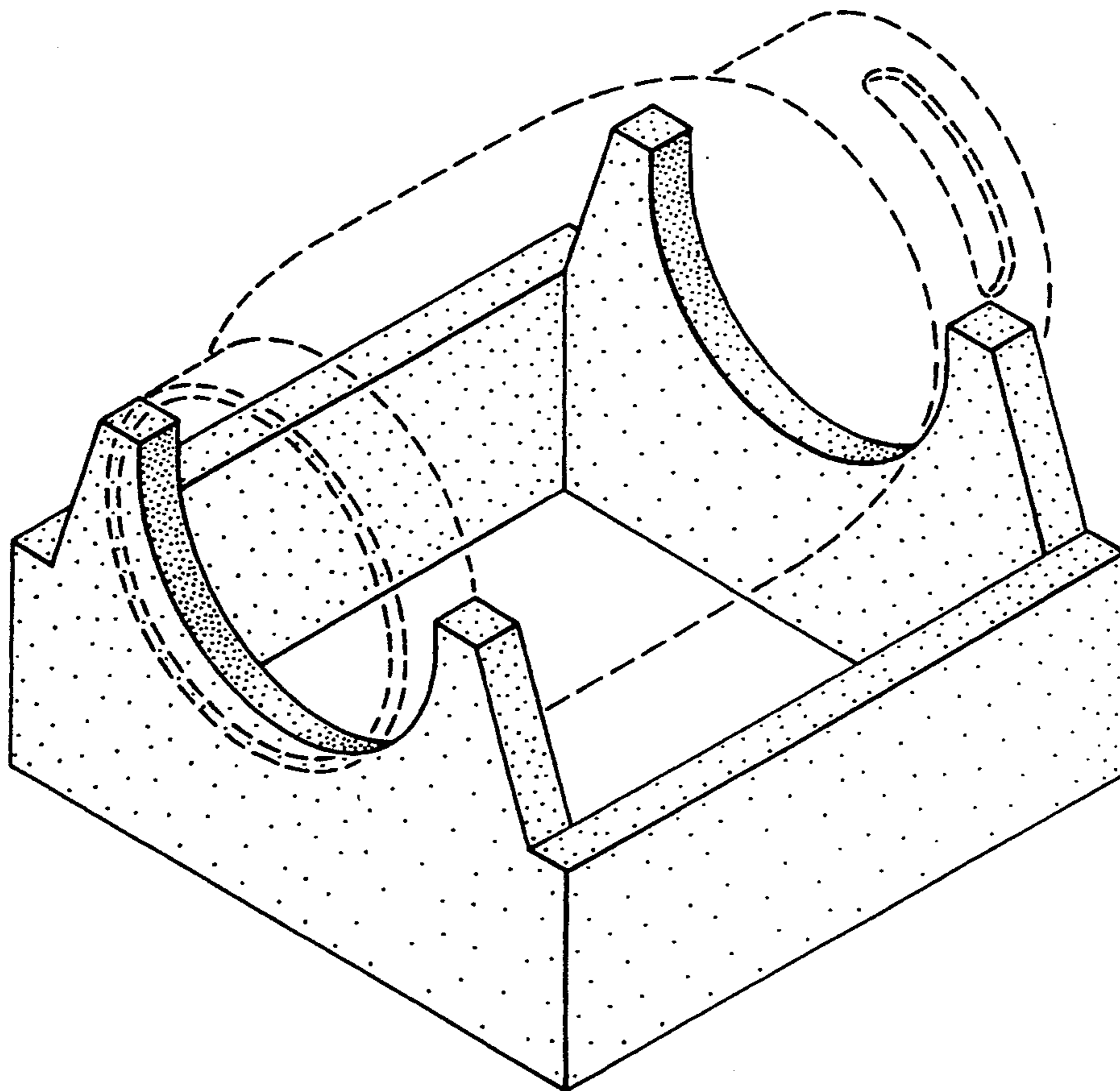
Primary Examiner—Alan P. Douglas
Assistant Examiner—R. Spear
Attorney, Agent, or Firm—Veal & Associates

[57] **CLAIM**

The ornamental design for a cradle for gas cylinder, as shown and described.

DESCRIPTION

FIG. 1 is a top perspective view of a cradle for gas cylinder showing my new design; FIG. 2 is a bottom perspective view thereof; FIG. 3 is a side elevational view, the side not shown being identical to the side shown; FIG. 4 is an end elevational view, the end not shown being identical to the end shown; FIG. 5 is a top plan view; and, FIG. 6 is a perspective view with a gas cylinder shown in broken lines, illustrating environmental structure and forming no part of the claimed design.



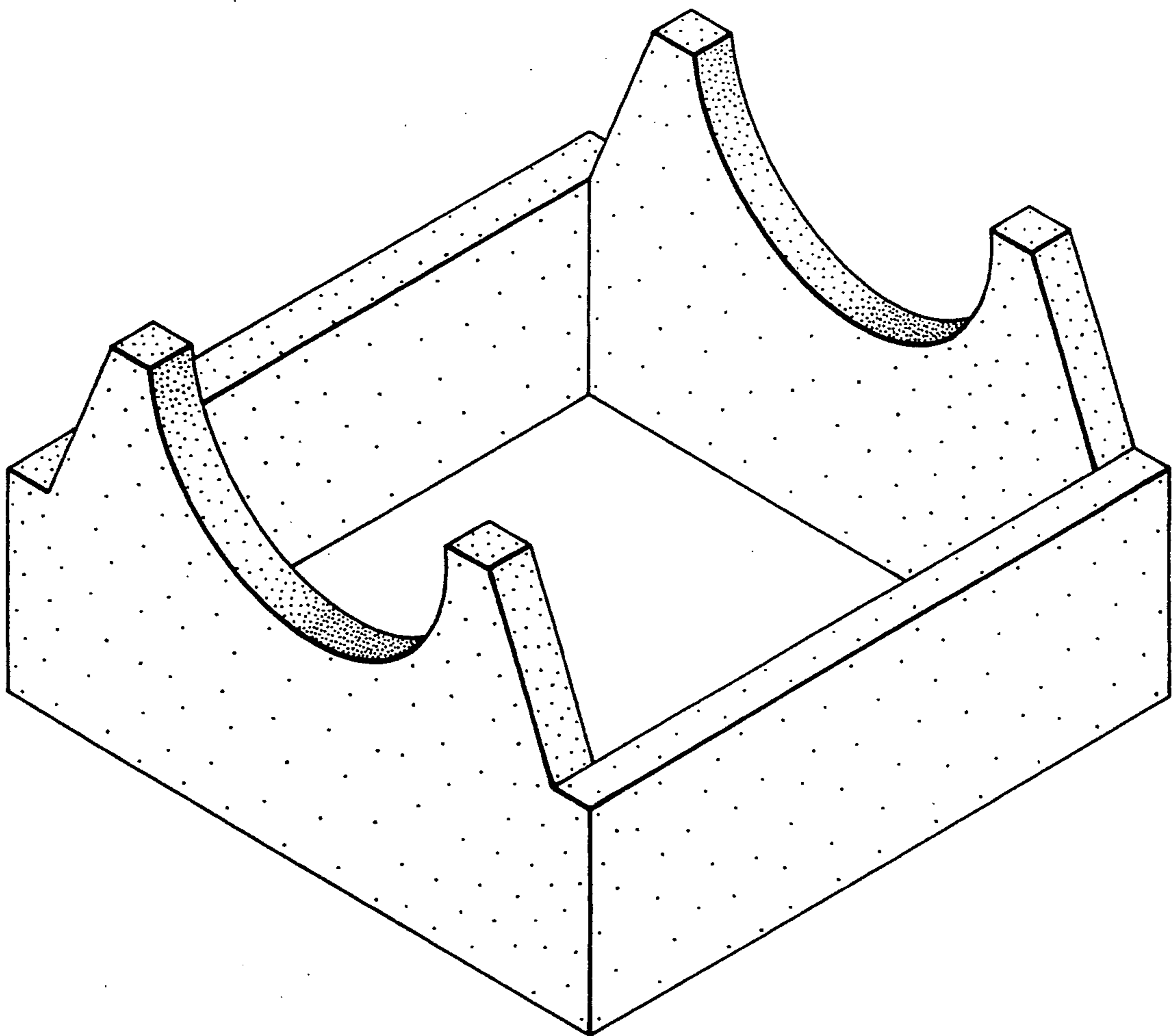


FIG. 1

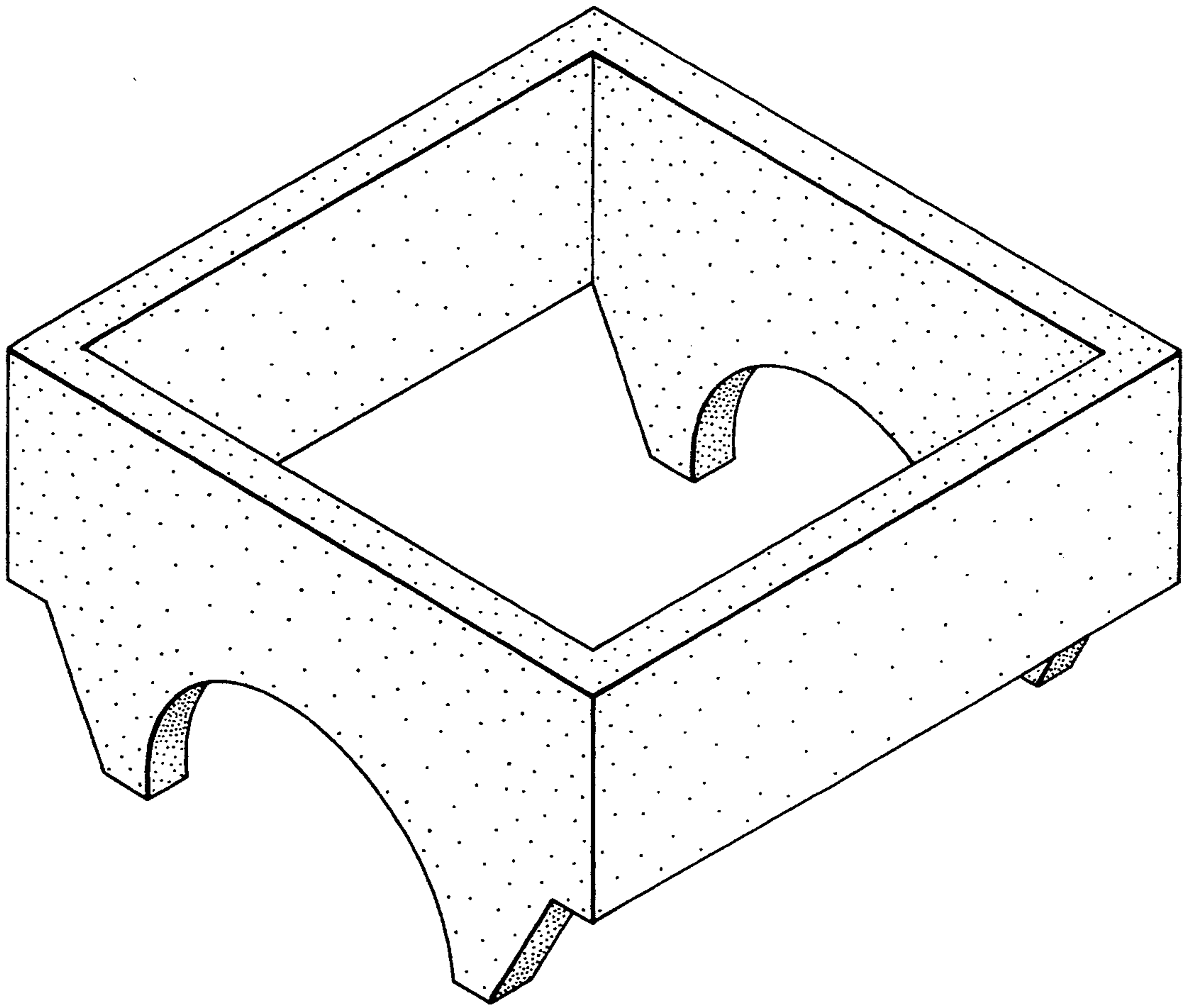


FIG. 2

FIG. 3

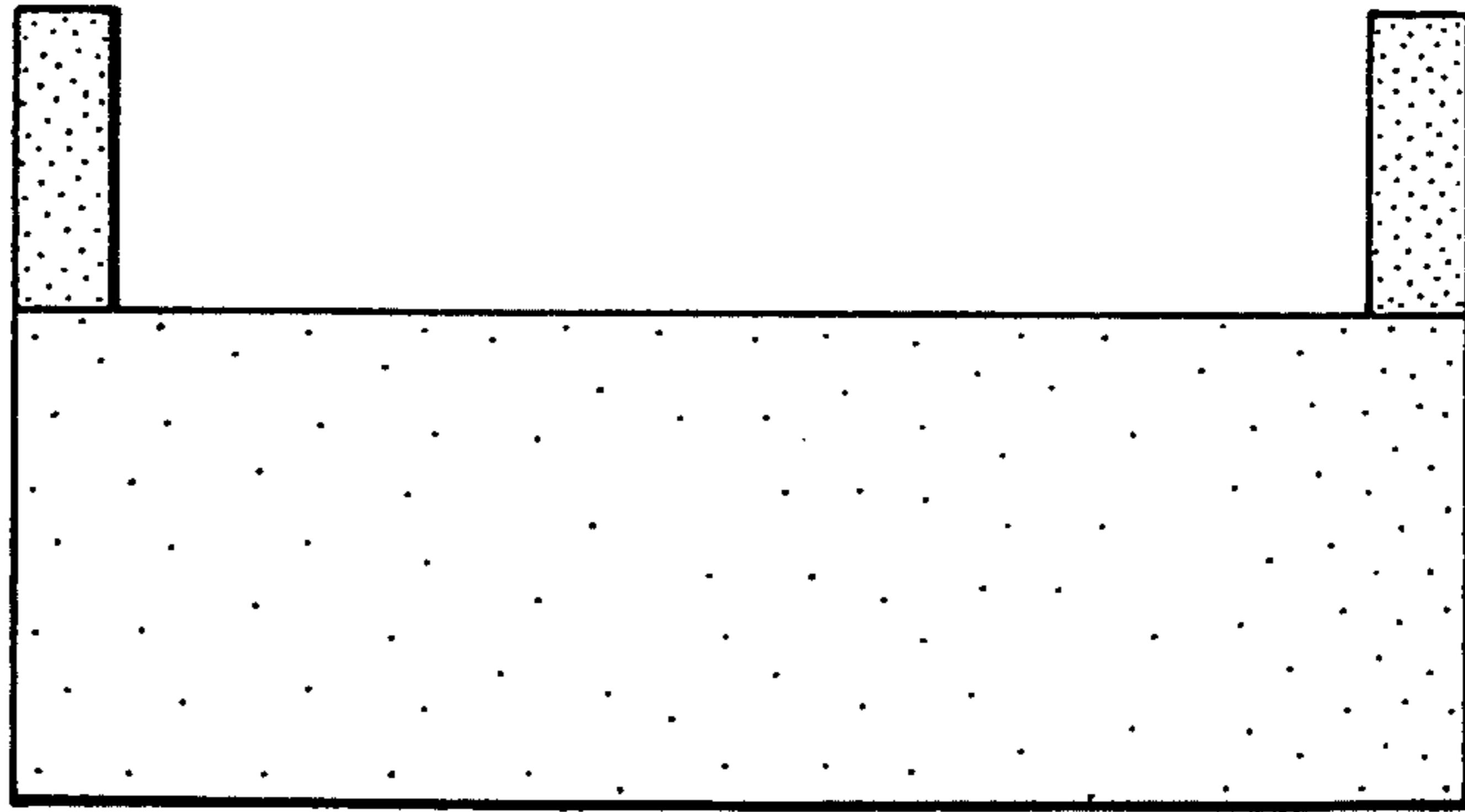


FIG. 4

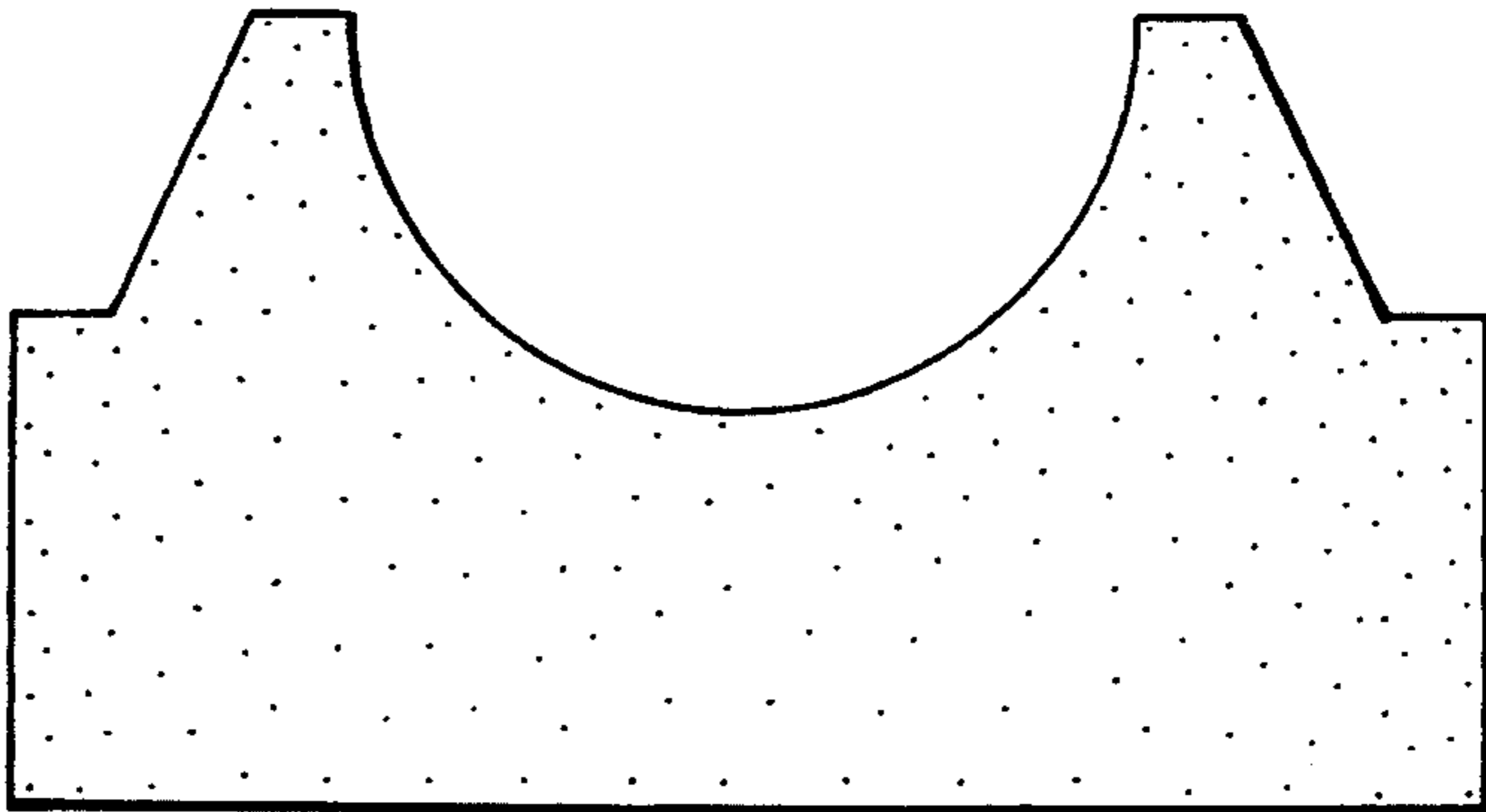
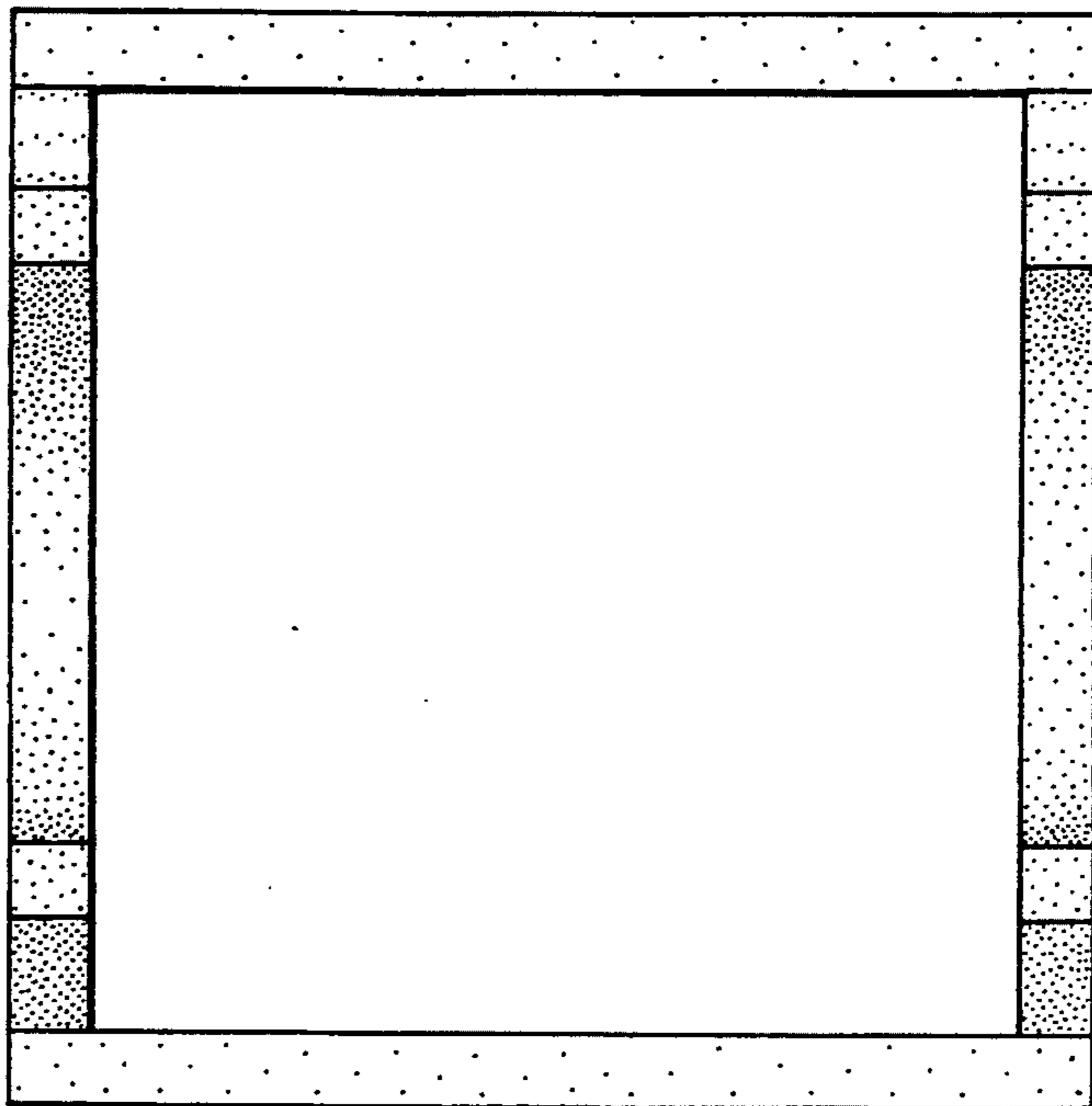


FIG. 5



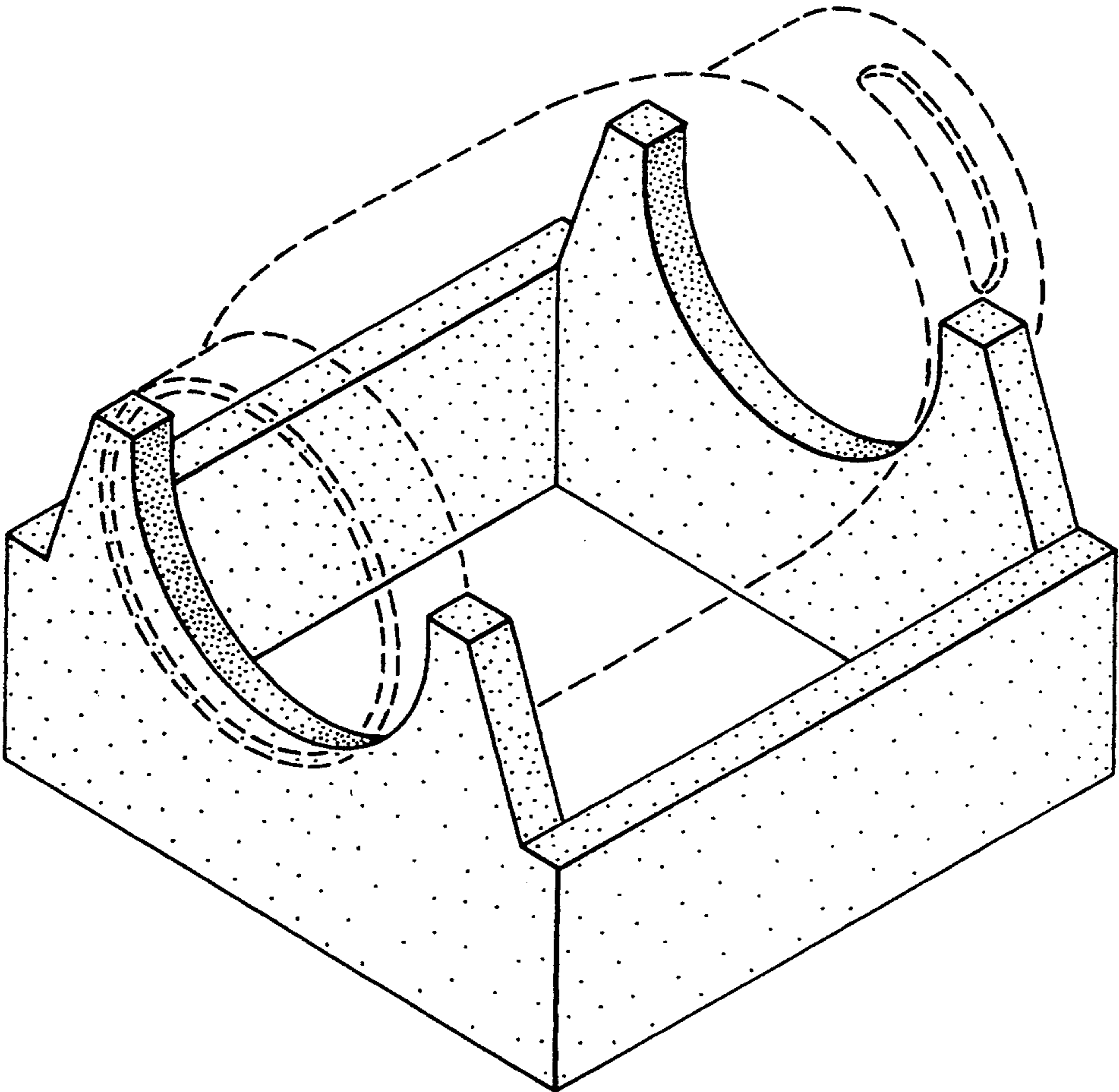


FIG. 6