



US00D353757S

# United States Patent [19]

[11] Patent Number: **Des. 353,757**

Izumisawa

[45] Date of Patent: **\*\* Dec. 27, 1994**

[54] DUAL-ACTING SANDER

D. 328,695 8/1992 Hoshino ..... D8/62

[75] Inventor: **Osamu Izumisawa, Tokyo, Japan**

D. 334,126 3/1993 Huber et al. .... D8/62

[73] Assignee: **Shinano Pneumatic Industries, Inc., Nagano, Japan**

D. 335,618 5/1993 Mogaki ..... D8/62

[\*\*] Term: **14 Years**

*Primary Examiner*—Alan P. Douglas  
*Assistant Examiner*—Jeffrey H. Musgrove  
*Attorney, Agent, or Firm*—Senniger, Powers, Leavitt & Roedel

[21] Appl. No.: **12,970**

[57] **CLAIM**

[22] Filed: **Sep. 14, 1993**

The ornamental design for a dual-acting sander, as shown and described.

[52] U.S. Cl. .... **D8/62**

[58] Field of Search ..... **D8/61, 62; 51/170 R, 51/170 T, 170 EB, 170 TL, 170 MT**

**DESCRIPTION**

[56] **References Cited**

FIG. 1 is a left side elevational view of a dual-acting sander showing my new design;  
FIG. 2 is a right side elevational view thereof;  
FIG. 3 is a front elevational view thereof;  
FIG. 4 is a rear elevational view thereof;  
FIG. 5 is a top plan view thereof; and,  
FIG. 6 is a bottom plan view thereof.

**U.S. PATENT DOCUMENTS**

D. 286,736 11/1986 Somers ..... D8/62  
D. 310,007 8/1990 Saito et al. .... D8/62  
D. 314,900 2/1991 Hoffman ..... D8/62

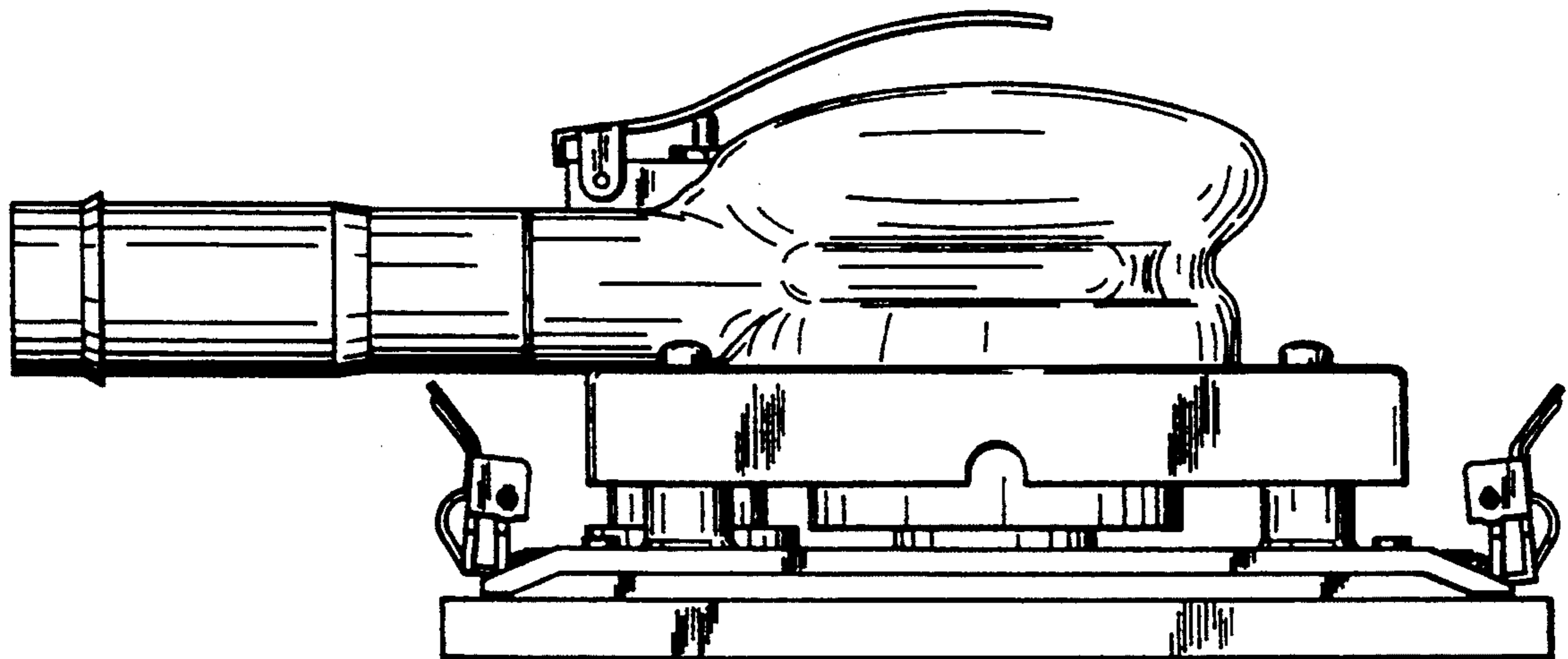


FIG. 1

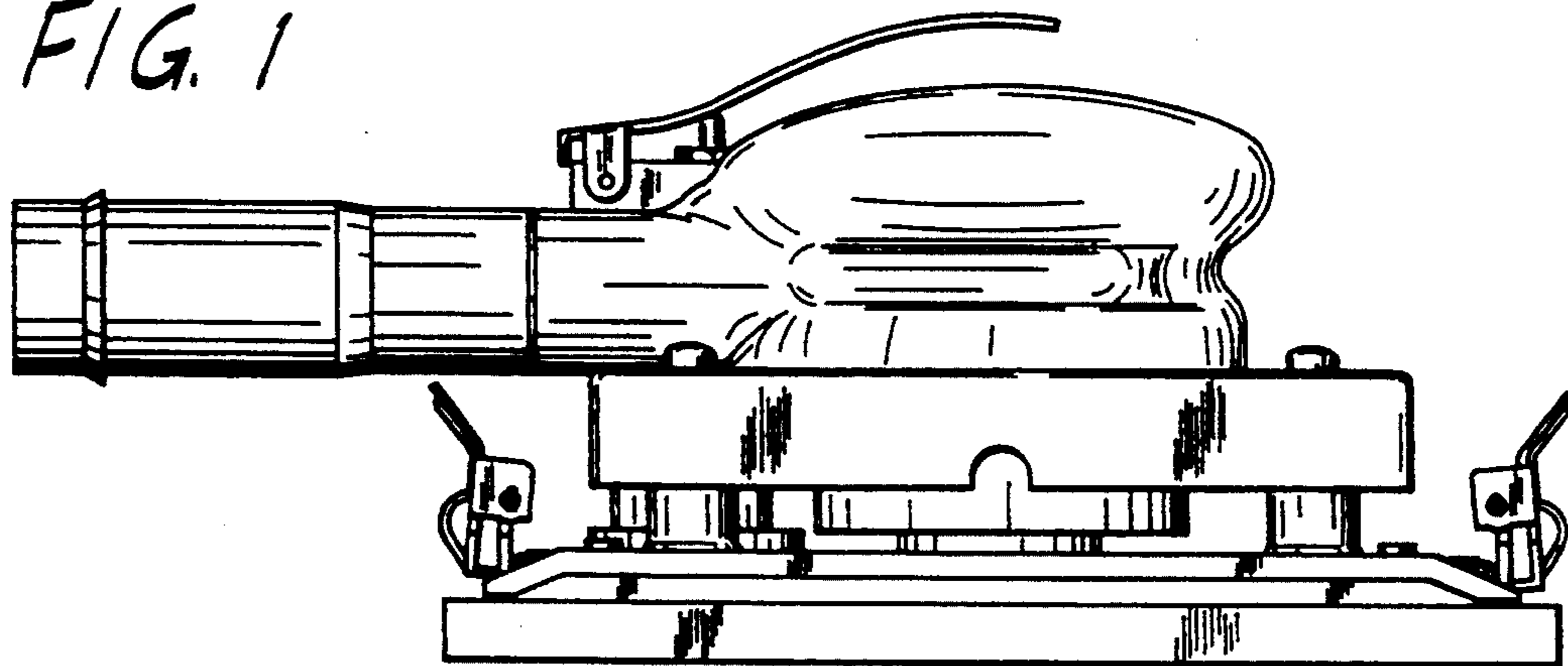


FIG. 2

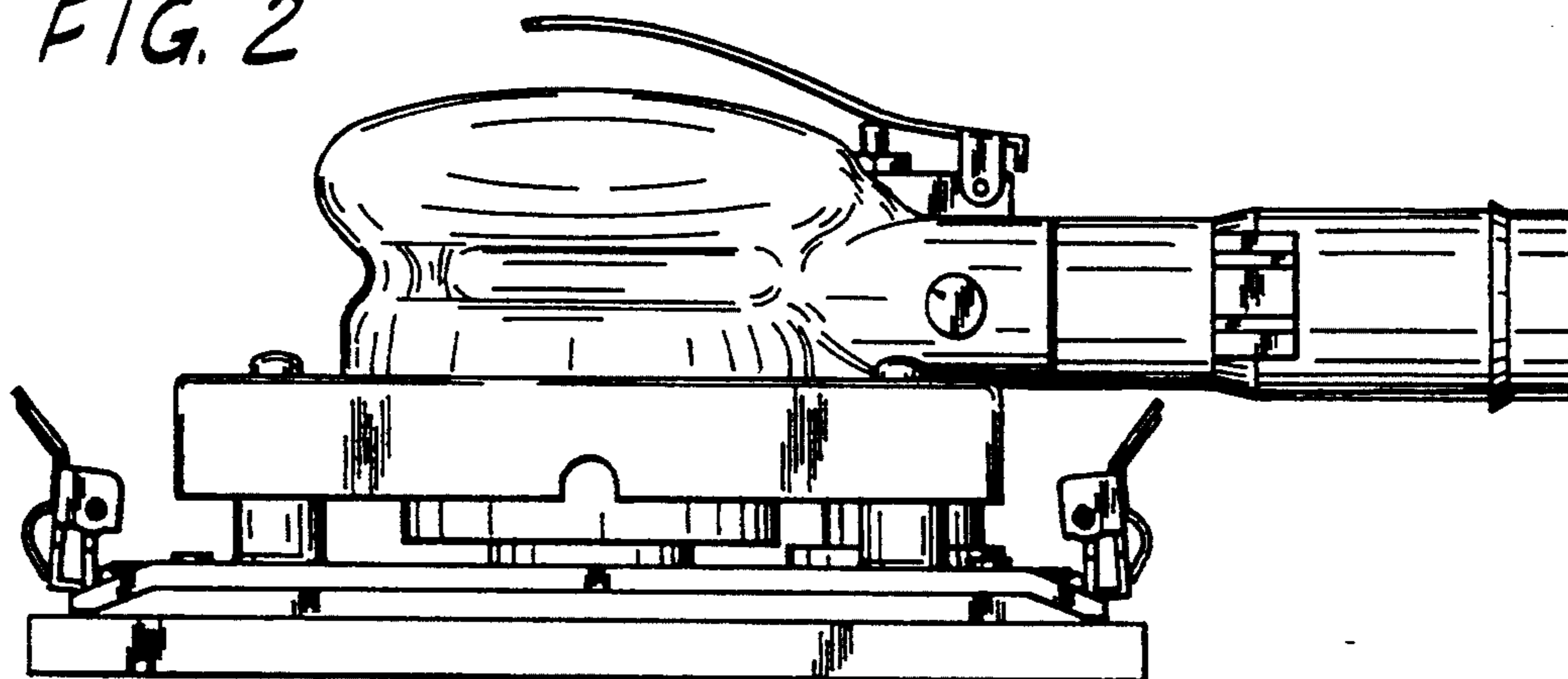


FIG. 3

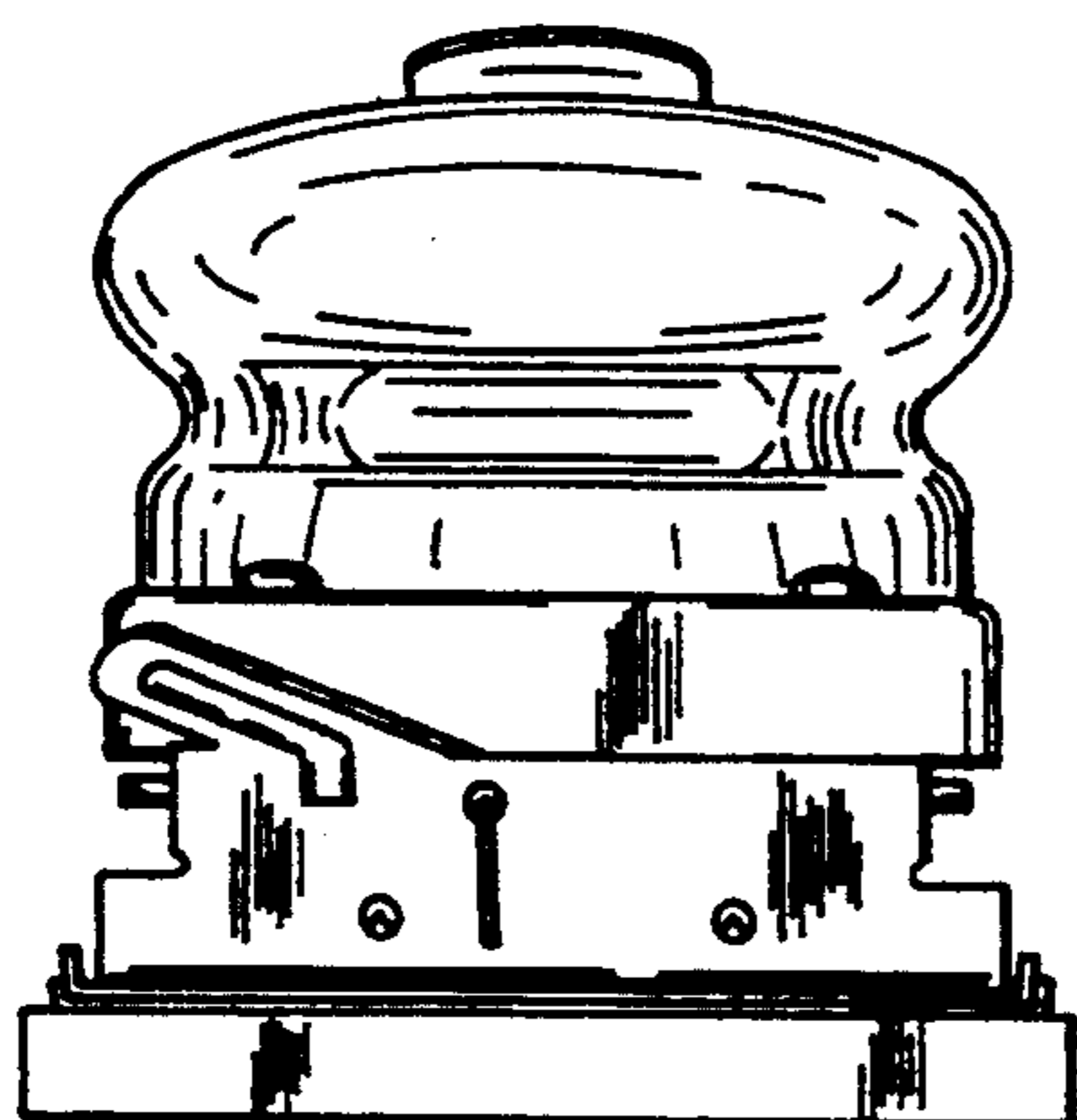


FIG. 4

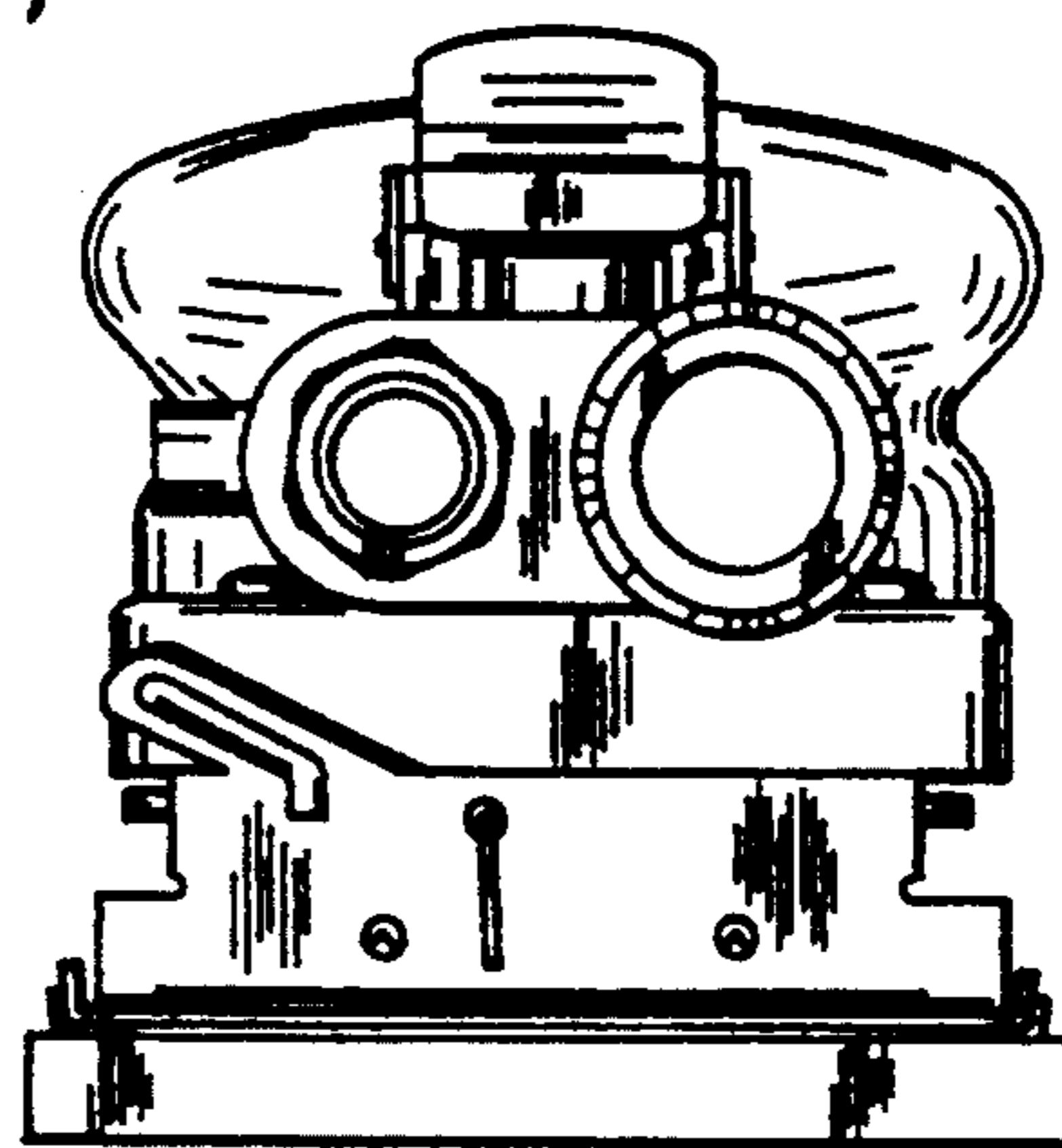


FIG. 5

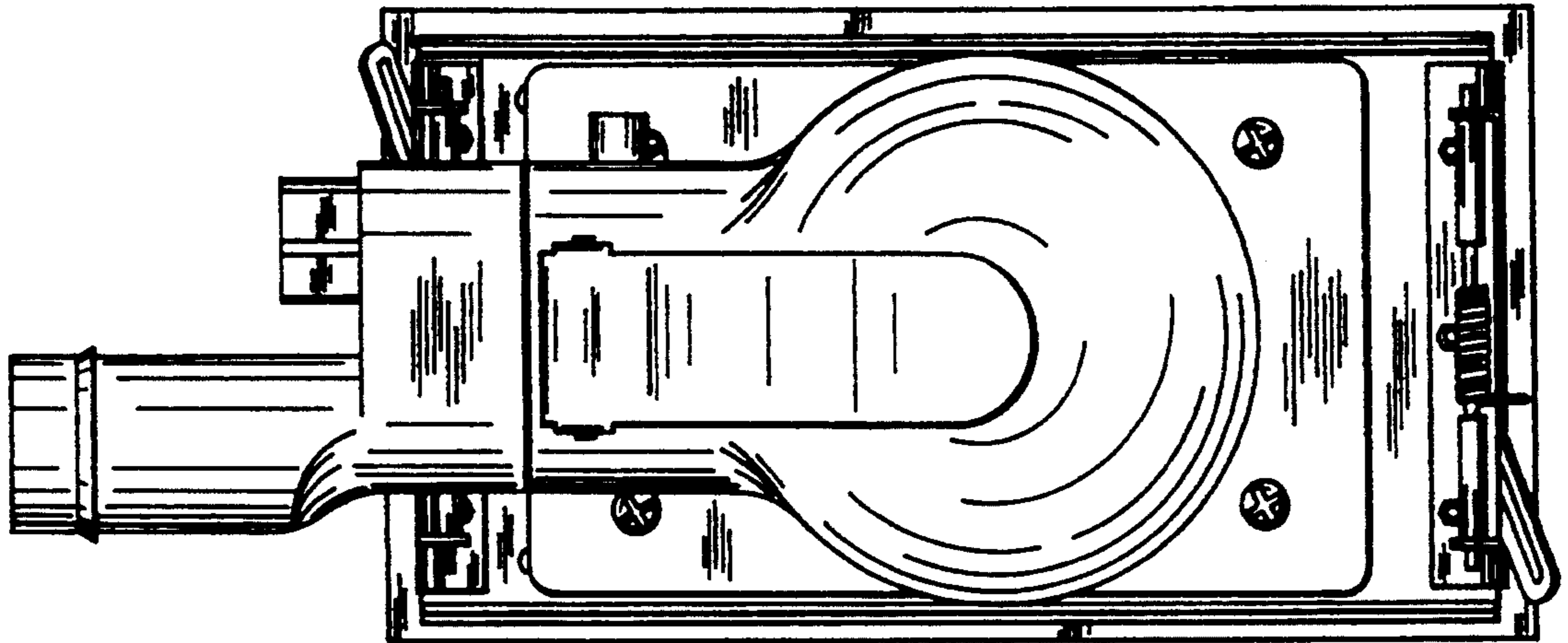


FIG. 6

