



US00D353756S

# United States Patent [19] Graves

[11] Patent Number: **Des. 353,756**  
[45] Date of Patent: **\*\* Dec. 27, 1994**

[54] **SOCKET WRENCH EXTENSION**

[75] Inventor: **William L. Graves, Carrollton, Tex.**

[73] Assignee: **O-Ratchet, Inc., Denton, Tex.**

[\*\*] Term: **14 Years**

[21] Appl. No.: **5,497**

[22] Filed: **Mar. 3, 1993**

[52] U.S. Cl. .... **D8/29**

[58] Field of Search ..... **D8/21, 29; 81/121.1, 81/124.6, 124.5, 177.2, 177.85**

3,532,013	10/1970	Haznar .	
3,569,903	3/1971	Brishka .	
3,621,738	11/1971	Northcutt .	
3,677,102	7/1972	Simonetta .	
3,732,756	5/1973	Thomasian .	
3,777,596	12/1973	Smyers, Jr. et al. .	
3,881,376	5/1975	Wright .	
4,137,801	2/1979	Imperio .	
4,170,909	10/1979	Wagner .	
4,328,720	5/1982	Shiel .	
4,339,970	7/1982	Enstrom .	
4,520,697	6/1985	Moetteli .	
4,602,534	7/1986	Moetteli .	
4,836,059	6/1989	Arnold .....	81/121.1 X
5,257,557	11/1993	Batten .....	81/177.85
5,277,531	1/1994	Krivec .....	81/436 X

[56] **References Cited**

**U.S. PATENT DOCUMENTS**

D. 299,613	1/1989	Laurie .....	D8/29
D. 338,380	8/1993	Hermanson .....	D8/29
125,695	4/1872	Sanborn .	
603,377	5/1898	Fitch .	
613,153	10/1898	Kennelly .	
897,584	9/1908	Carlson .	
1,165,995	12/1915	Mossberg .	
1,177,764	4/1916	Dodge .	
1,347,691	7/1920	Forton .	
1,413,698	4/1922	Adams .	
1,433,163	10/1922	Walters .	
1,995,009	3/1935	Pfauser et al. .	
2,162,359	6/1939	Rhinevault .....	81/177.85 X
2,300,479	11/1942	Wilson .	
2,317,461	4/1943	Jackson .	
2,518,139	8/1950	Hallowell et al. .	
2,549,515	4/1951	Orey et al. .	
2,620,051	12/1952	Kaplan .	
2,651,230	9/1953	Waterval .	
2,688,268	9/1954	Lear .	
2,715,955	8/1955	Stone .	
2,803,877	8/1957	Belanger .	
2,989,881	6/1961	Lavietes .	
2,991,678	7/1961	Adolphson .	
3,078,973	2/1963	Kilness .	
3,096,659	7/1963	Jenkins .	
3,208,318	9/1965	Roberts .	
3,222,943	12/1965	McDonald .	
3,253,626	5/1966	Stillwagon, Jr. et al. .	
3,290,969	12/1966	Bergquist et al. .	
3,299,750	1/1967	Campanile et al. .	
3,342,229	9/1967	Janes .	
3,372,612	3/1968	Rozmus .	

**FOREIGN PATENT DOCUMENTS**

1340335	9/1962	France .
2375005	12/1976	France .
2117797	4/1971	Germany .
2138245	2/1972	Germany .

**OTHER PUBLICATIONS**

Official Gazette of the Patent Office, col. 883, No. 4, p. 1417 illustrates several socket wrench designs, Feb. 1971.

Black & Decker Catalog, p. 23, no date supplied.

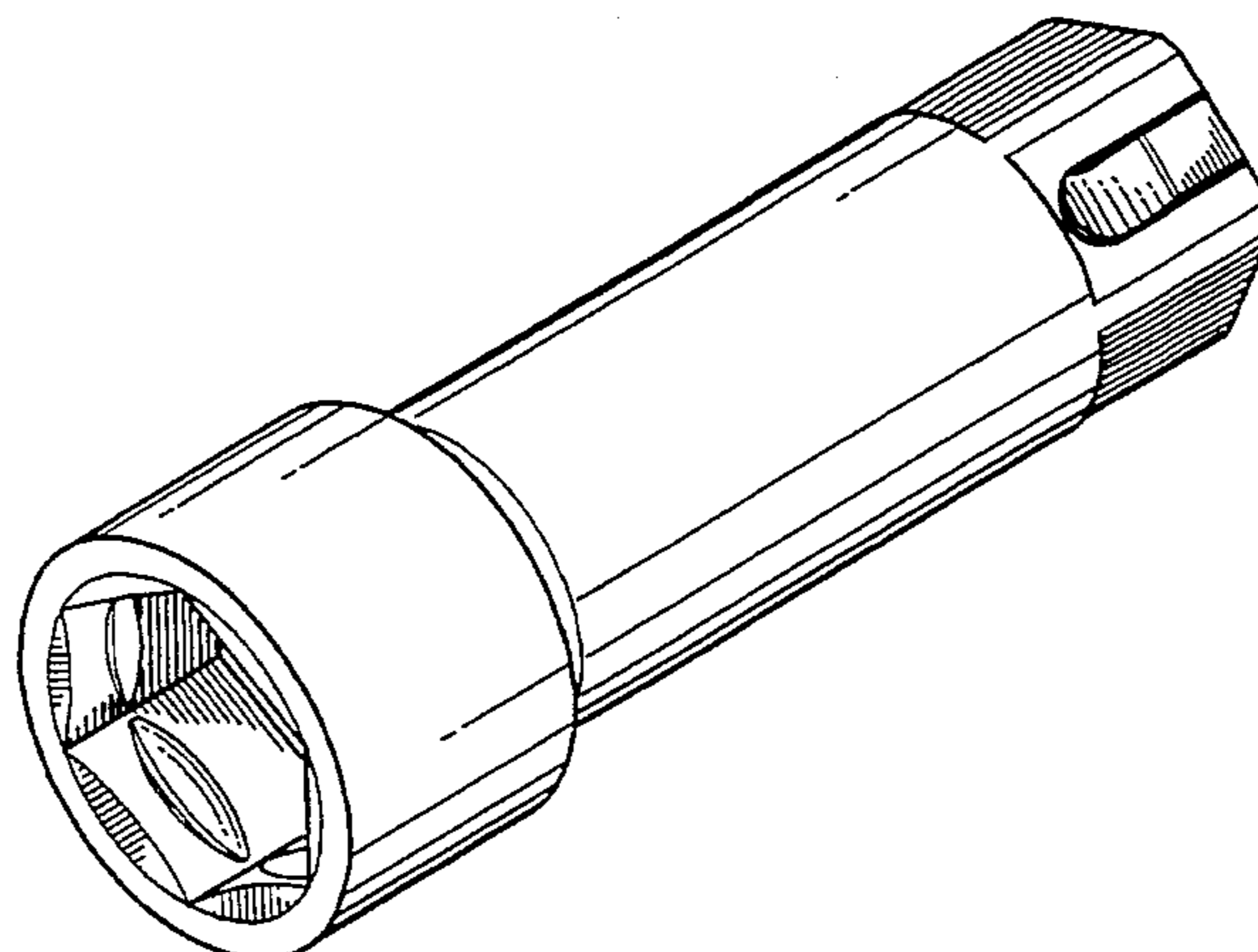
*Primary Examiner*—Melvin B. Feifer  
*Assistant Examiner*—Mitchell I. Siegel  
*Attorney, Agent, or Firm*—Richards, Medlock & Andrews

[57] **CLAIM**

The ornamental design for a socket wrench extension, as shown and described.

**DESCRIPTION**

FIG. 1 is a front and left end perspective view of a socket wrench extension showing my new design; FIG. 2 is right end isometric view thereof, shown in an alternation position for clarity of illustration; FIG. 3 is a left end view thereof; FIG. 4 is a right end view thereof; FIG. 5 is a top plan view thereof, the undisclosed opposite side being identical; and, FIG. 6 is a front side elevational view thereof.



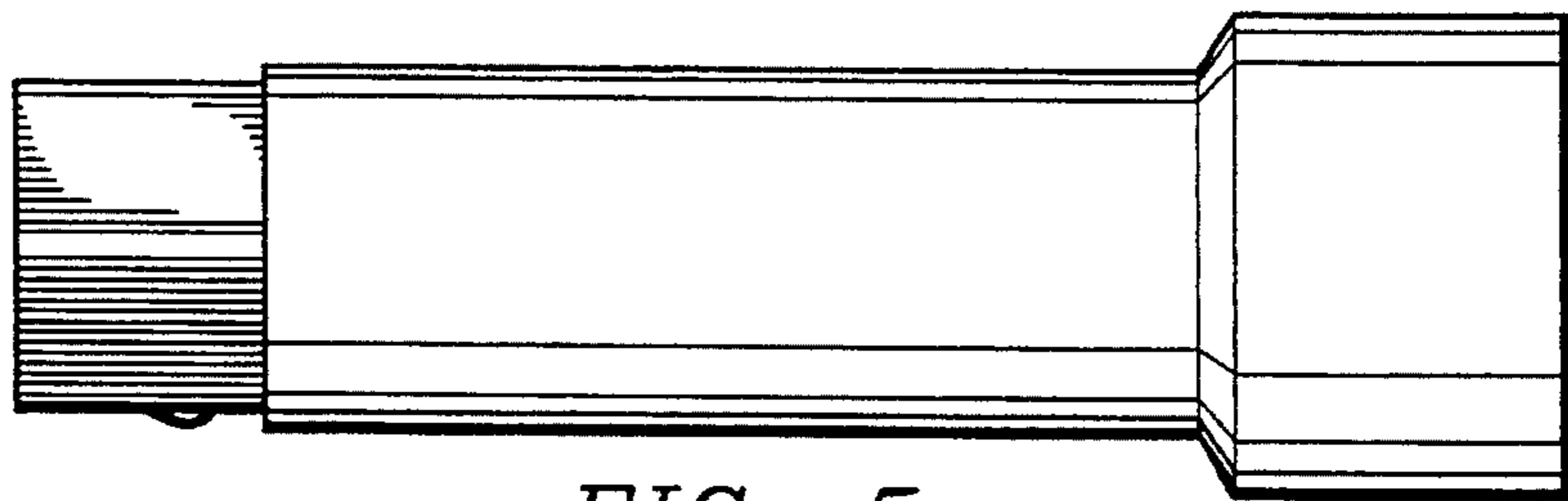
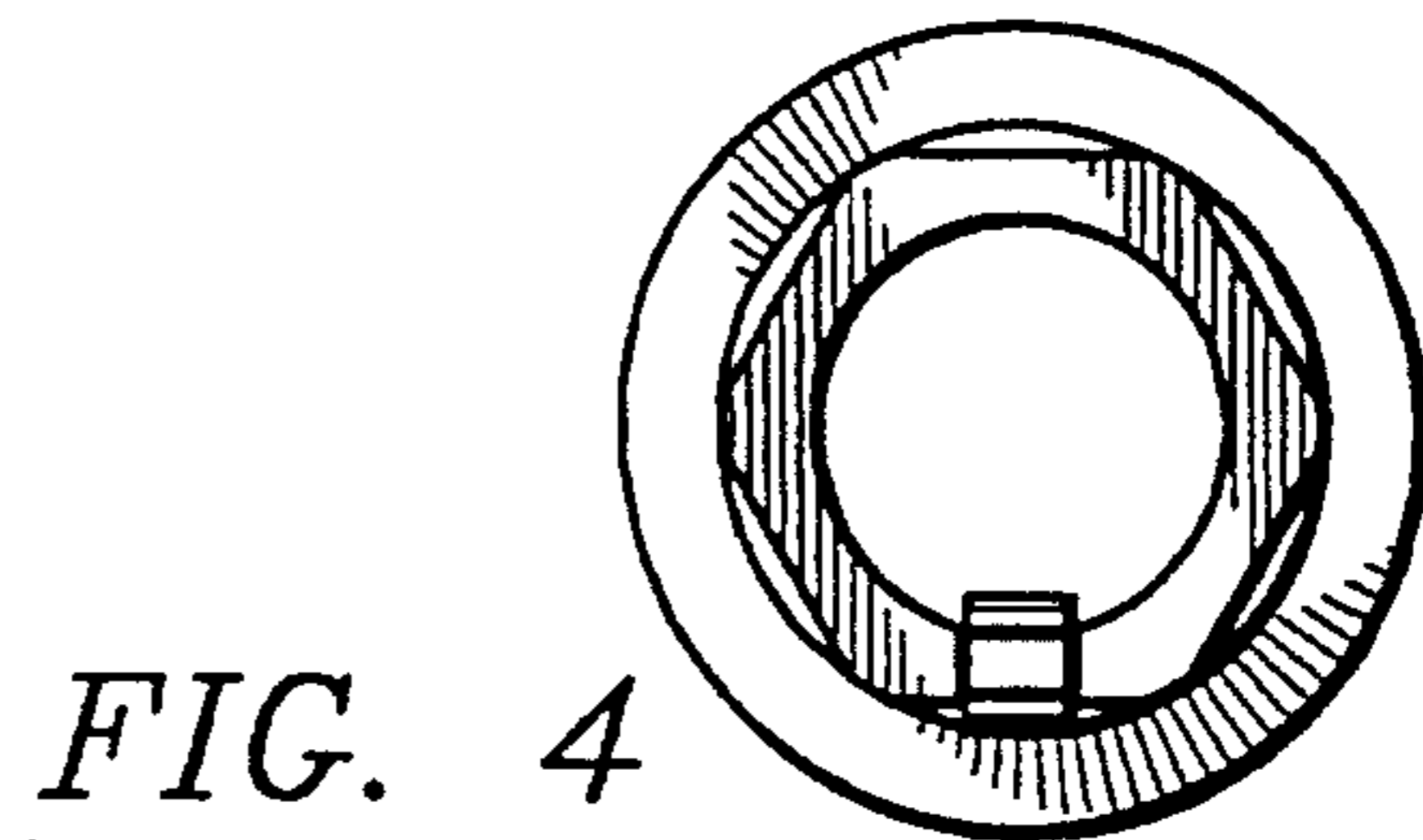
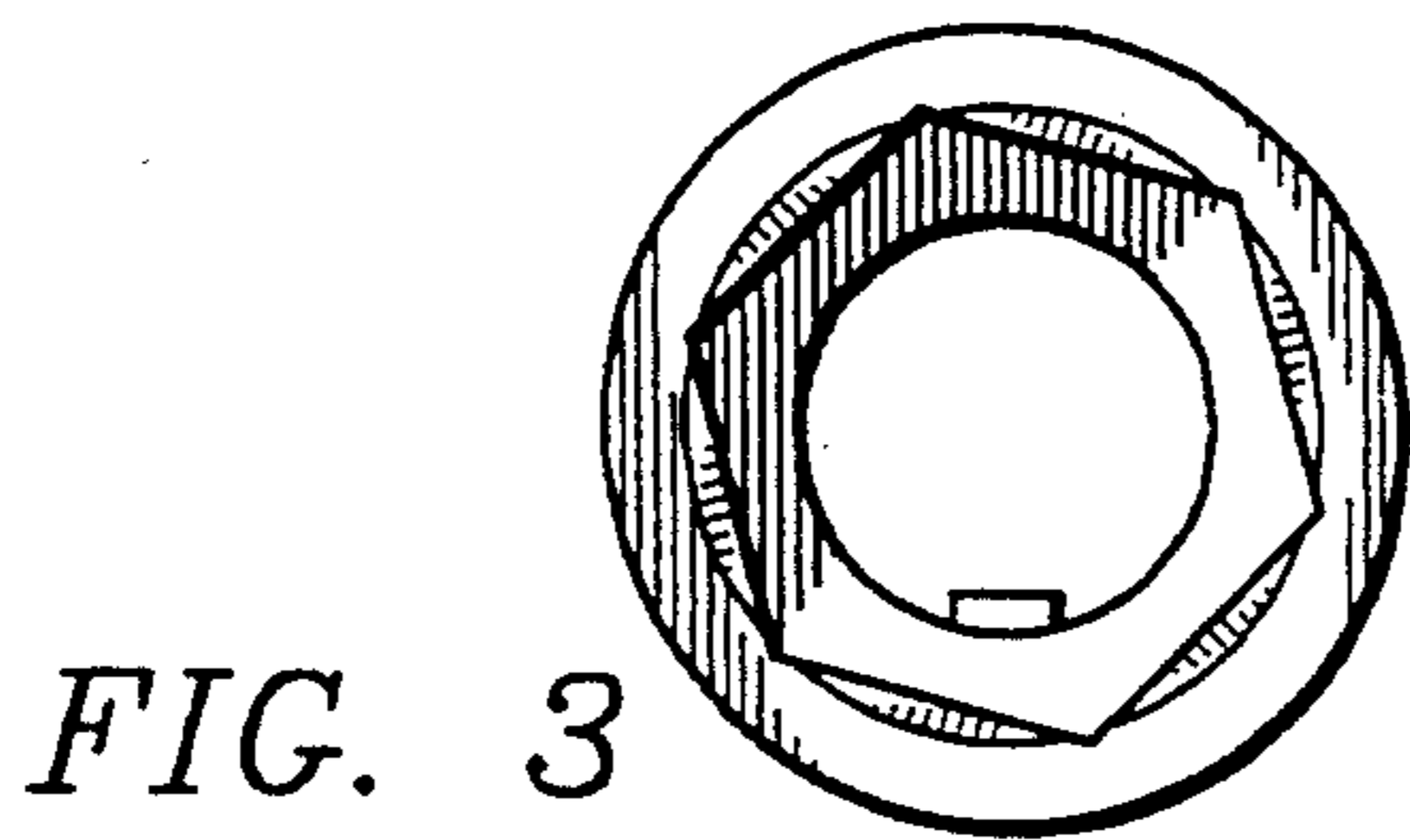
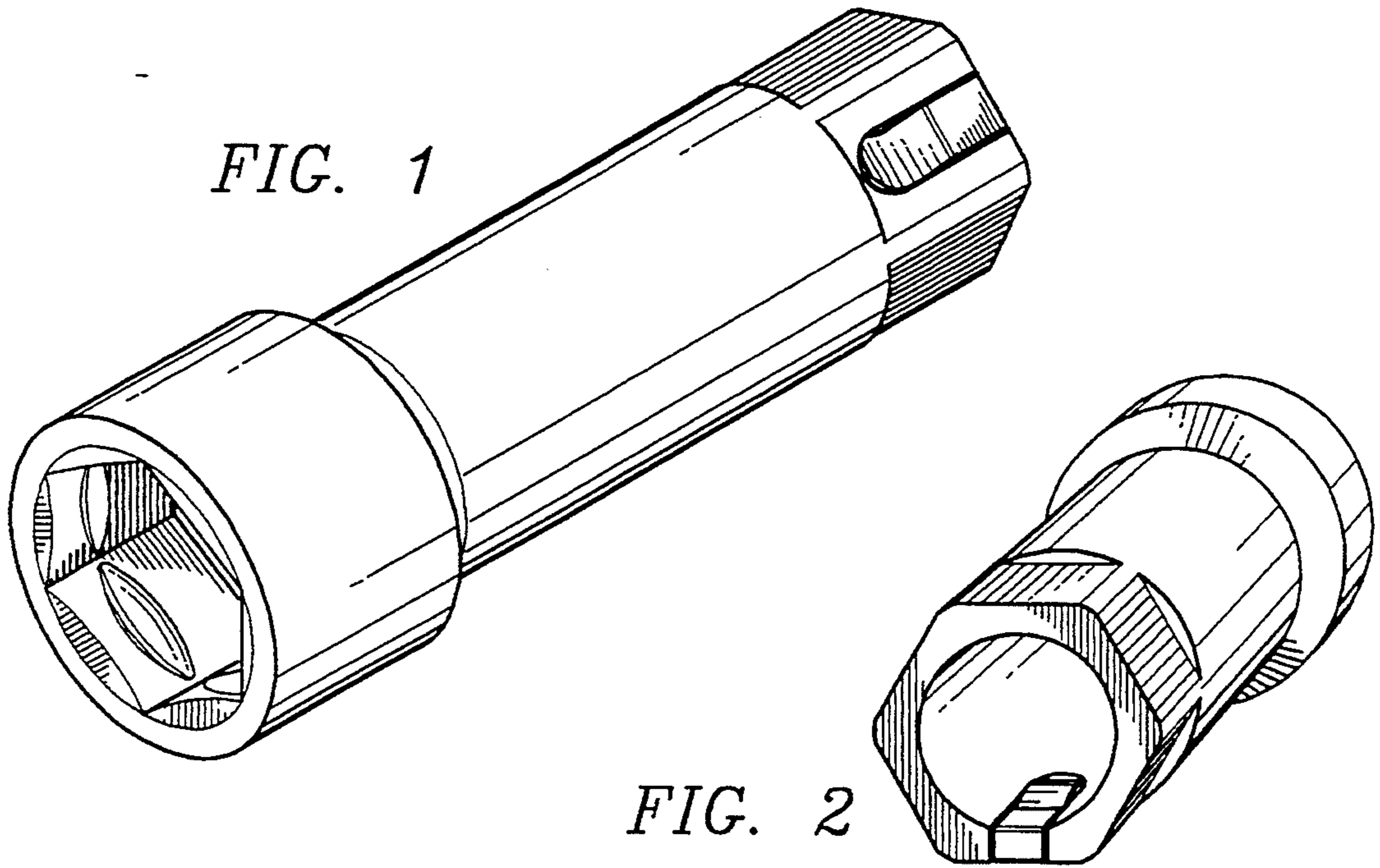


FIG. 5

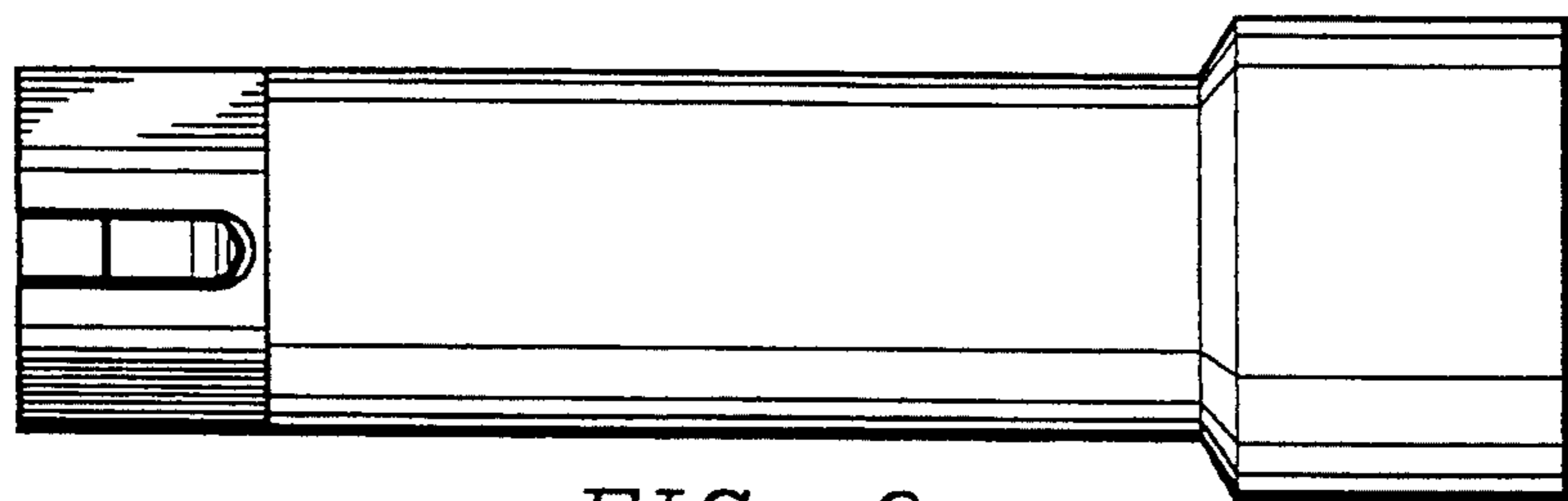


FIG. 6