



US00D353755S

United States Patent [19]

[11] Patent Number: **Des. 353,755**

Lane

[45] Date of Patent: **** Dec. 27, 1994**

[54] **GAS VALVE OPERATING WRENCH**

D. 300,000	2/1989	Reinhardt	D8/21 X
D. 301,010	5/1989	Renna	D8/19 X
4,368,569	1/1983	Van Dam, Jr.	D8/17 X

[76] Inventor: **Thomas L. Lane**, 135 Keller St., Suite E, Petaluma, Calif. 94952

Primary Examiner—Melvin B. Feifer
Assistant Examiner—Mitchell I. Siegel
Attorney, Agent, or Firm—Terry M. Gernstein

[**] Term: **14 Years**

[21] Appl. No.: **6,361**

[57] **CLAIM**

[22] Filed: **Mar. 15, 1993**

[52] U.S. Cl. **D8/17**

The ornamental design for a gas valve operating wrench, as shown and described.

[58] Field of Search D8/14, 17, 19, 21, 27, D8/28, 107; 81/3.34, 119, 121.1, 124.2, 176.15, 177.1, 177.5, 184, 436, 488

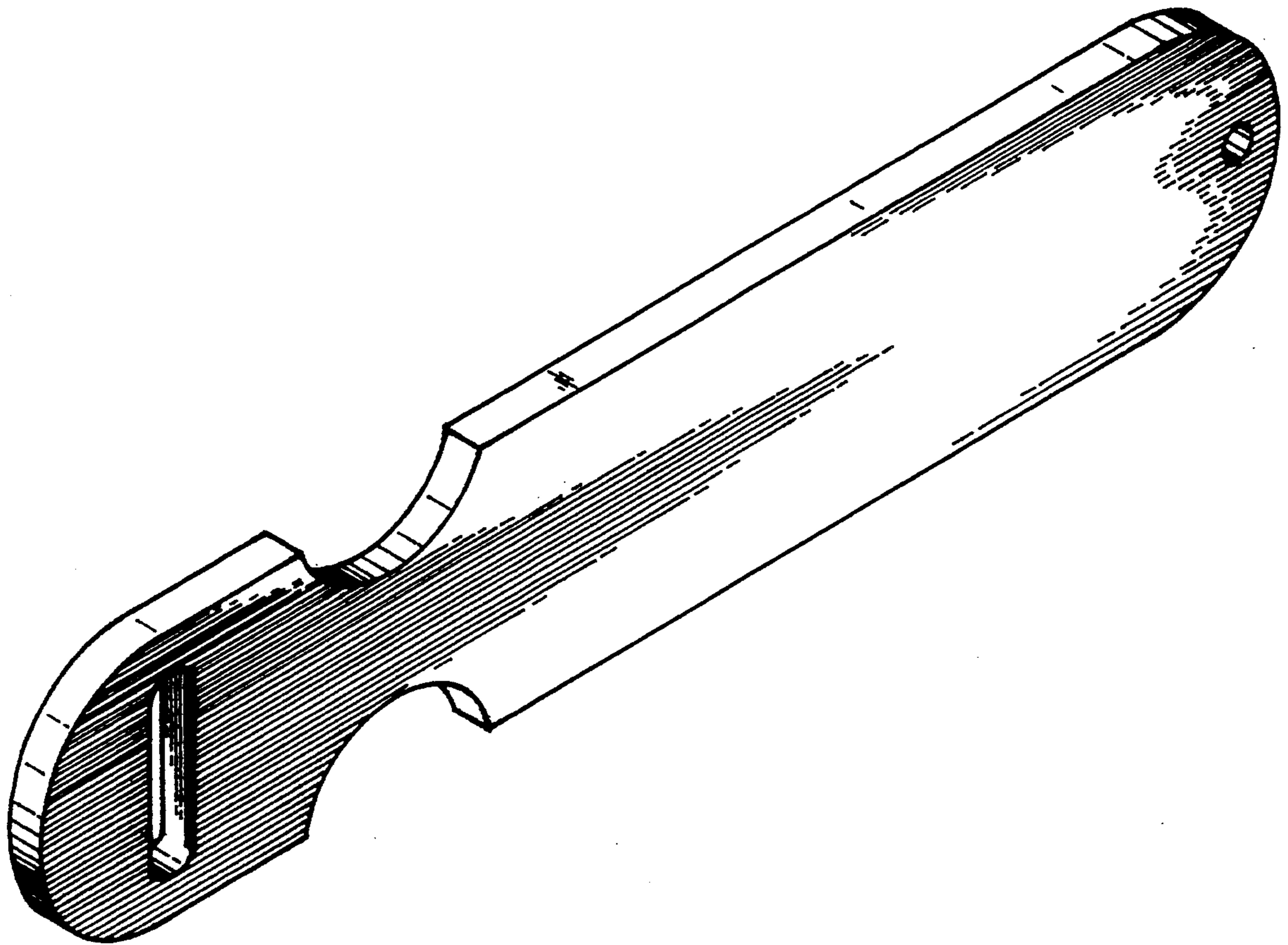
DESCRIPTION

[56] **References Cited**

FIG. 1 is a front, top and side perspective view of a gas valve operating wrench showing my new design; FIG. 2 is a front elevational view thereof; FIG. 3 is a rear elevational view thereof; FIG. 4 is an end view thereof, the undisclosed opposite side being identical; and, FIG. 5 is a side elevational view thereof, the undisclosed opposite side being identical.

U.S. PATENT DOCUMENTS

D. 130,756	12/1941	Howard	D8/17
D. 267,392	12/1982	Hildebrandt .	
D. 268,086	3/1983	Waters .	
D. 282,046	1/1986	Dumond et al.	D8/17 X
D. 287,927	1/1987	Zankich .	



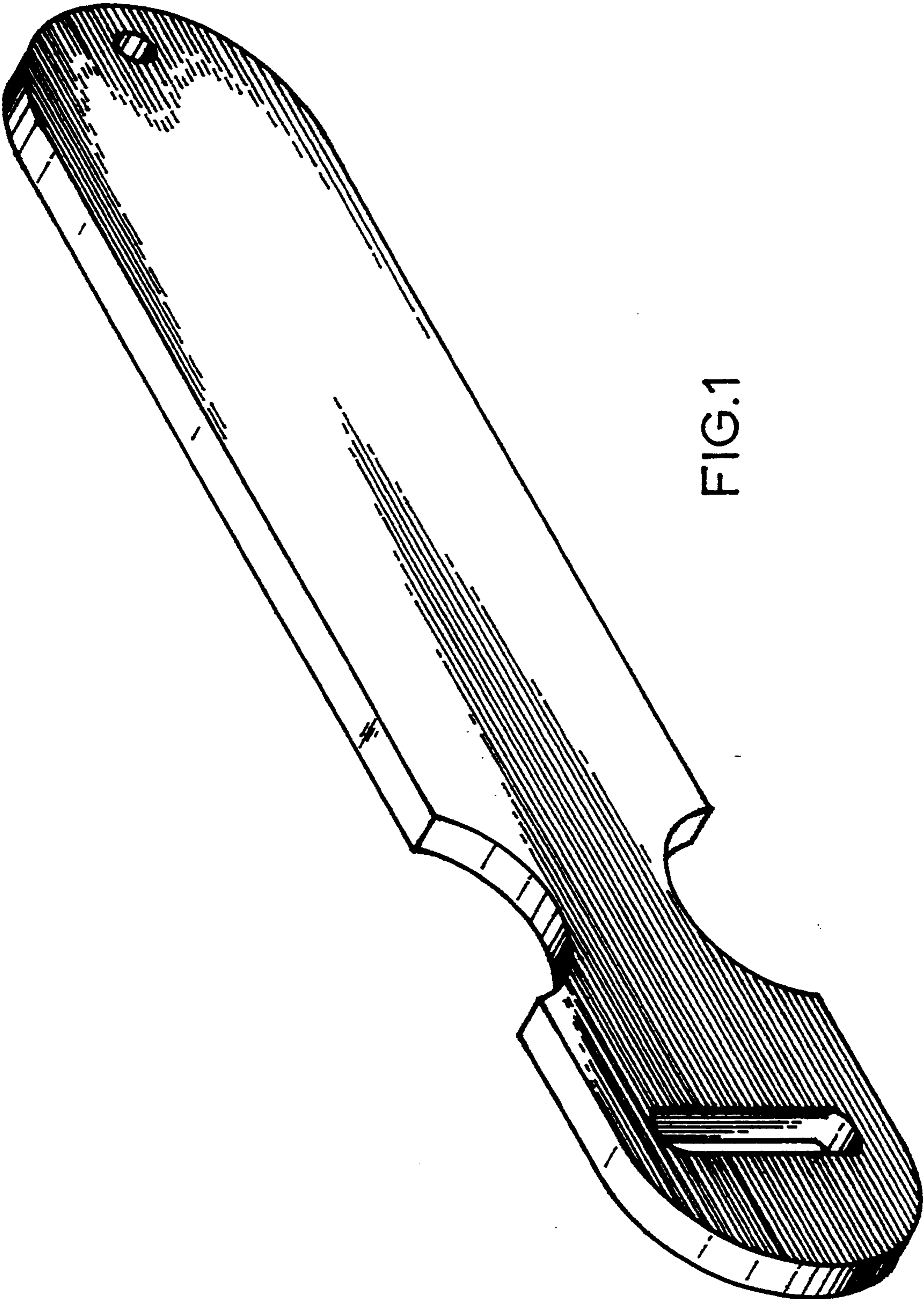


FIG. 1

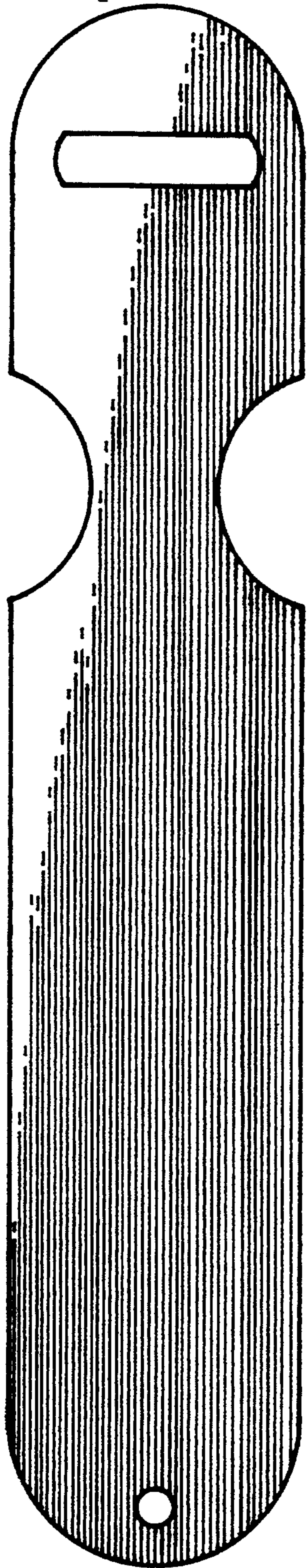


FIG. 3

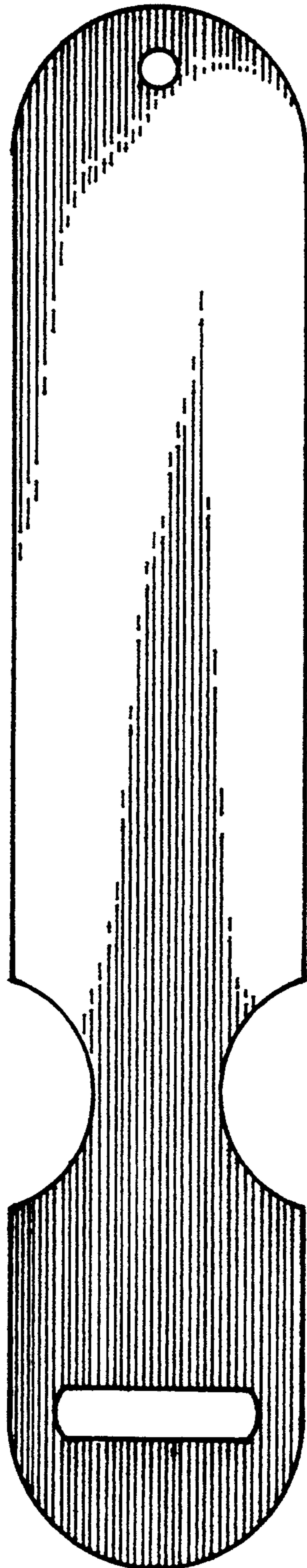


FIG. 2



FIG. 5



FIG. 4