



US00D353751S

United States Patent [19]
Germano

[11] **Patent Number: Des. 353,751**
[45] **Date of Patent: ** Dec. 27, 1994**

- [54] **EXTENSION FOR A TRIMMER**
- [76] **Inventor: William D. Germano, 18323 Wilstone Dr., Houston, Tex. 77084**
- [**] **Term: 14 Years**
- [21] **Appl. No.: 11,114**
- [22] **Filed: Jul. 27, 1993**
- [52] **U.S. Cl. D8/8**
- [58] **Field of Search D8/1; 30/296.1, 128.1, 30/340; 16/114 R**

- [56] **References Cited**
- U.S. PATENT DOCUMENTS**
- 4,145,810 3/1979 Belliston 30/296 R
- 4,197,764 4/1980 Auernhammer 30/340
- 4,207,675 6/1980 Causey et al. 30/296.1
- 4,359,822 11/1982 Kolodziejczyk 30/296 R
- 4,638,562 1/1987 Drake 30/340
- 4,733,470 3/1988 Firman 30/231
- 5,070,576 12/1991 Banta 30/296.1 X

Primary Examiner—Wallace R. Burke

Assistant Examiner—H. Baynham
Attorney, Agent, or Firm—Timmons & Kelly

[57] **CLAIM**

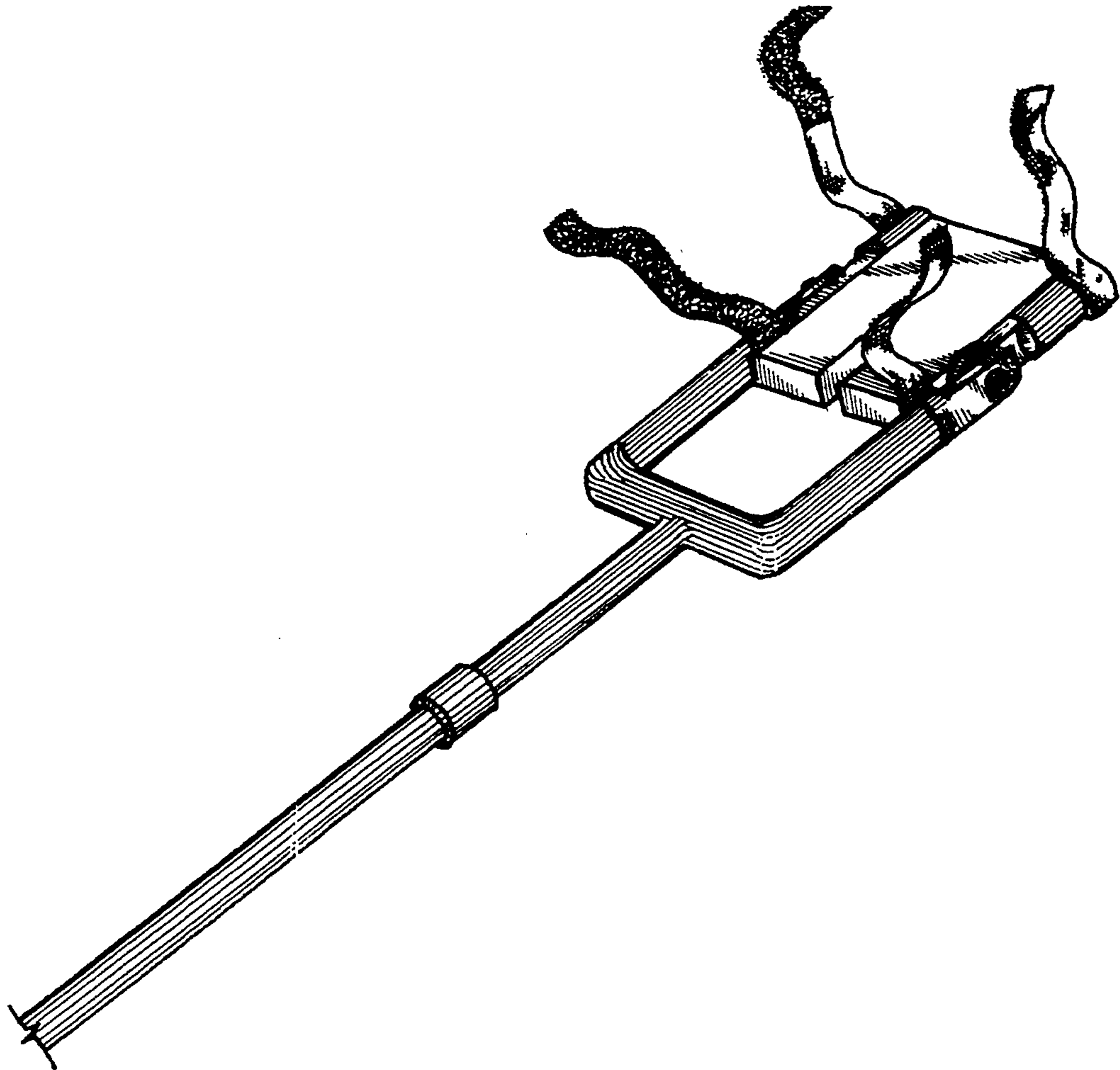
The ornamental design for an extension for a trimmer, as shown.

DESCRIPTION

FIG. 1 is a perspective view of an extension for a trimmer showing my new design in use with the broken line showing of a trimmer being for illustrative purposes only and forming no part of the claimed design; FIG. 2 is a right side perspective view thereof; FIG. 3 is a right side elevation thereof; FIG. 4 is a left side elevation thereof; FIG. 5 is a top plan view thereof; and, FIG. 6 is a bottom plan view thereof.

The appearance of the undisclosed remaining portion of the shaft is of conventional shape and shown broken away for ease of illustration.

The partially shown cross-hatched shading on the strap represents cloth and is understood to cover the entire surface of the strap. The constrasting shading on the strap represents an adhering material.



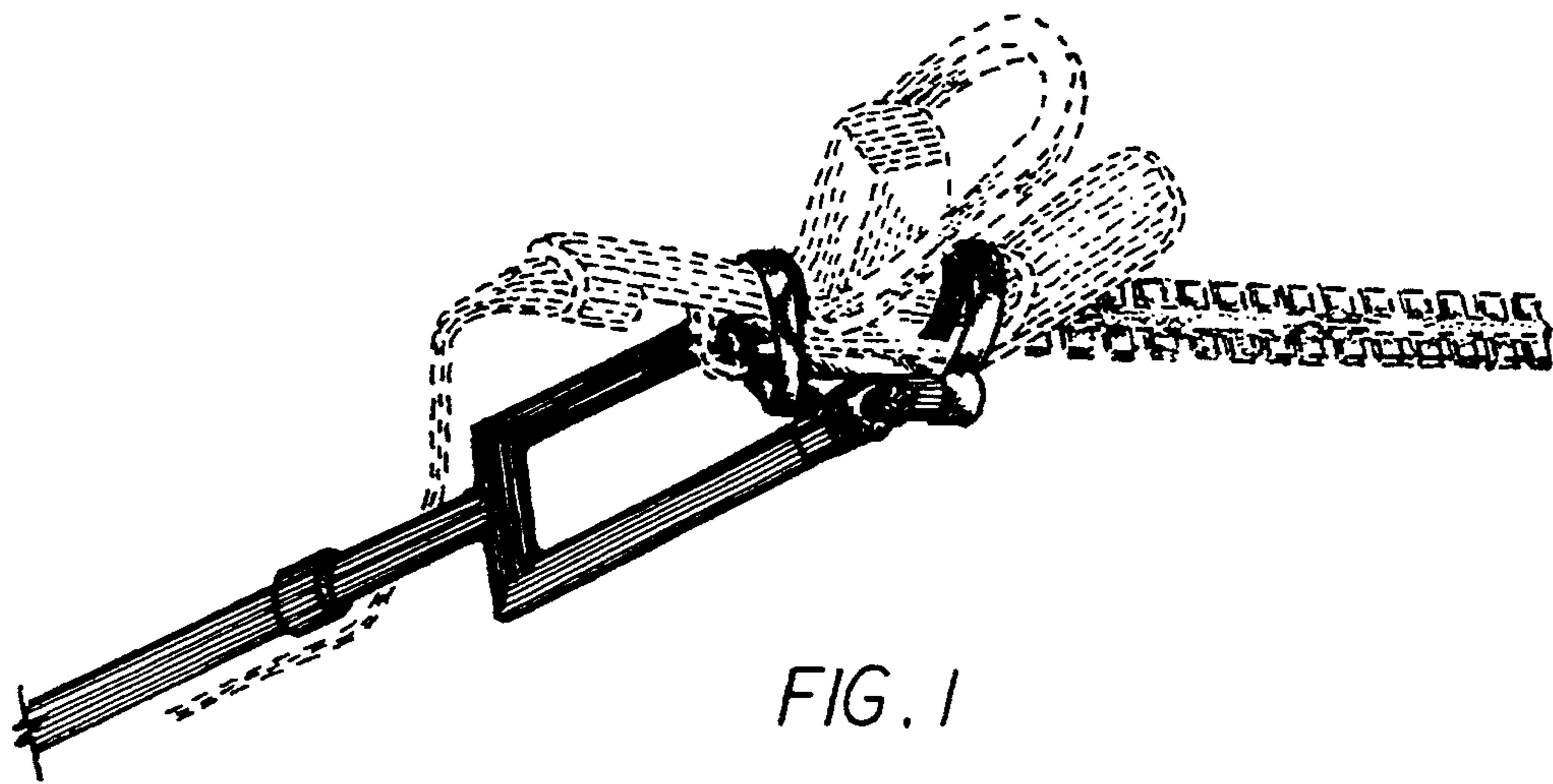


FIG. 1

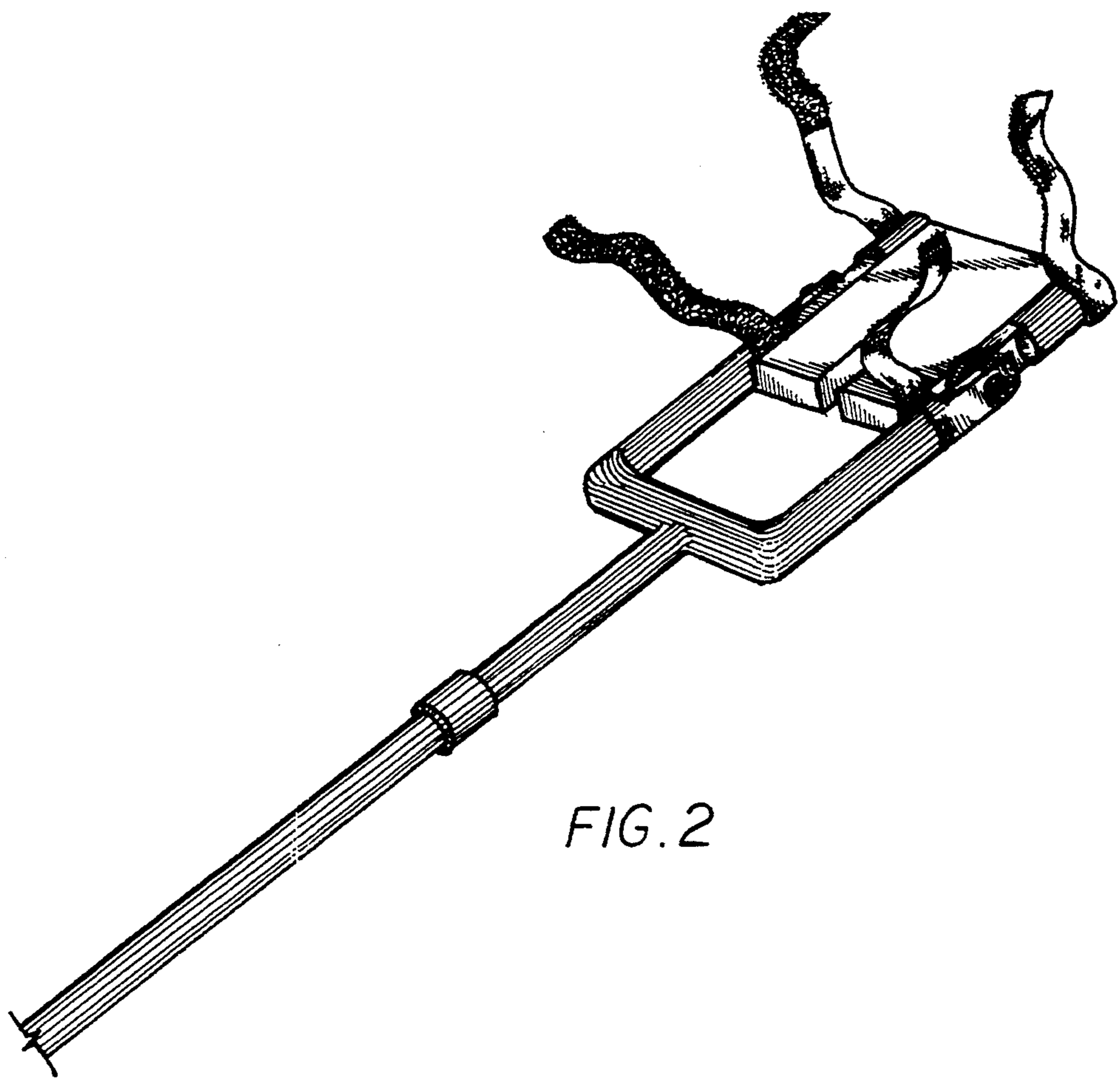


FIG. 2

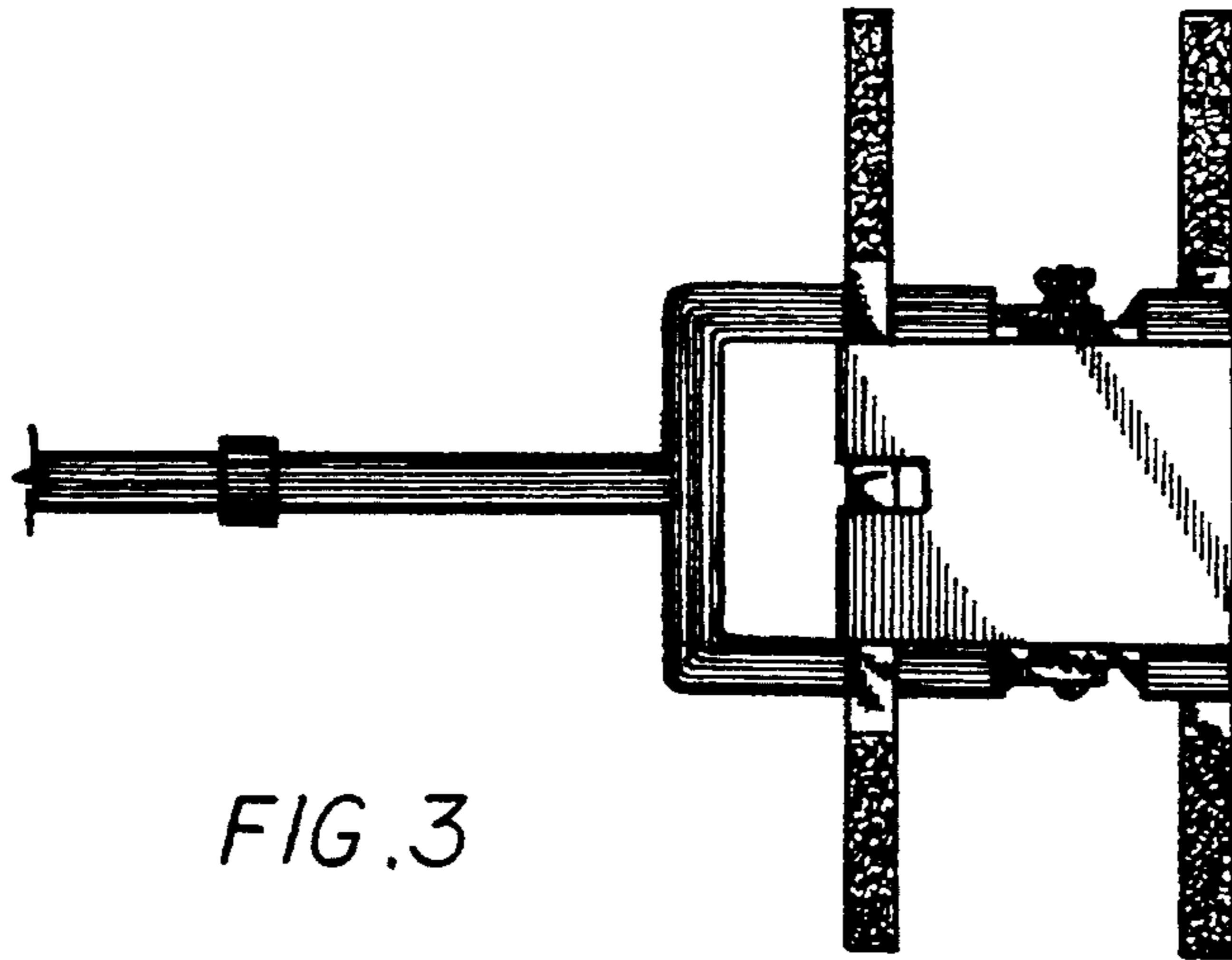


FIG. 3

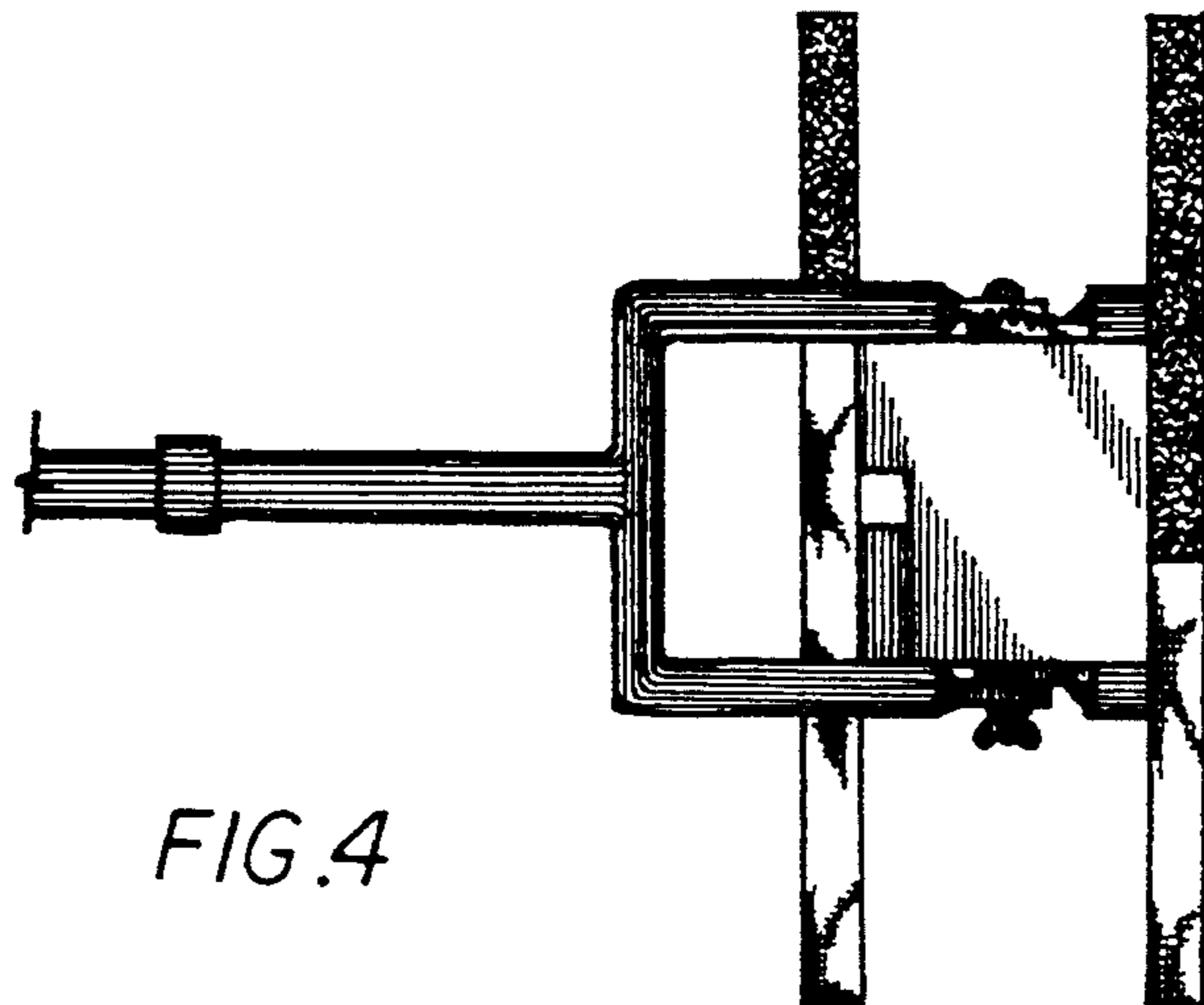


FIG. 4



FIG. 5



FIG. 6