



US00D353749S

United States Patent [19]

[11] Patent Number: **Des. 353,749**

Rozmiarek

[45] Date of Patent: **** Dec. 27, 1994**

[54] **COMBINED MEAL AND BEVERAGE CARRIER**

2,028,825 1/1936 Christensen 62/457.6 X
2,101,281 12/1939 Porter 220/23

[76] Inventor: **Mark V. Rozmiarek**, West 1973 St., Hwy. 156, Pulaski, Wis. 54162

Primary Examiner—Terry A. Wallace
Attorney, Agent, or Firm—Rhodes & Ascolillo

[**] Term: **14 Years**

[57] **CLAIM**

[21] Appl. No.: **13,868**

The ornamental design for a combined meal and beverage carrier, as shown and described.

[22] Filed: **Oct. 4, 1993**

DESCRIPTION

[52] U.S. Cl. **D7/709**

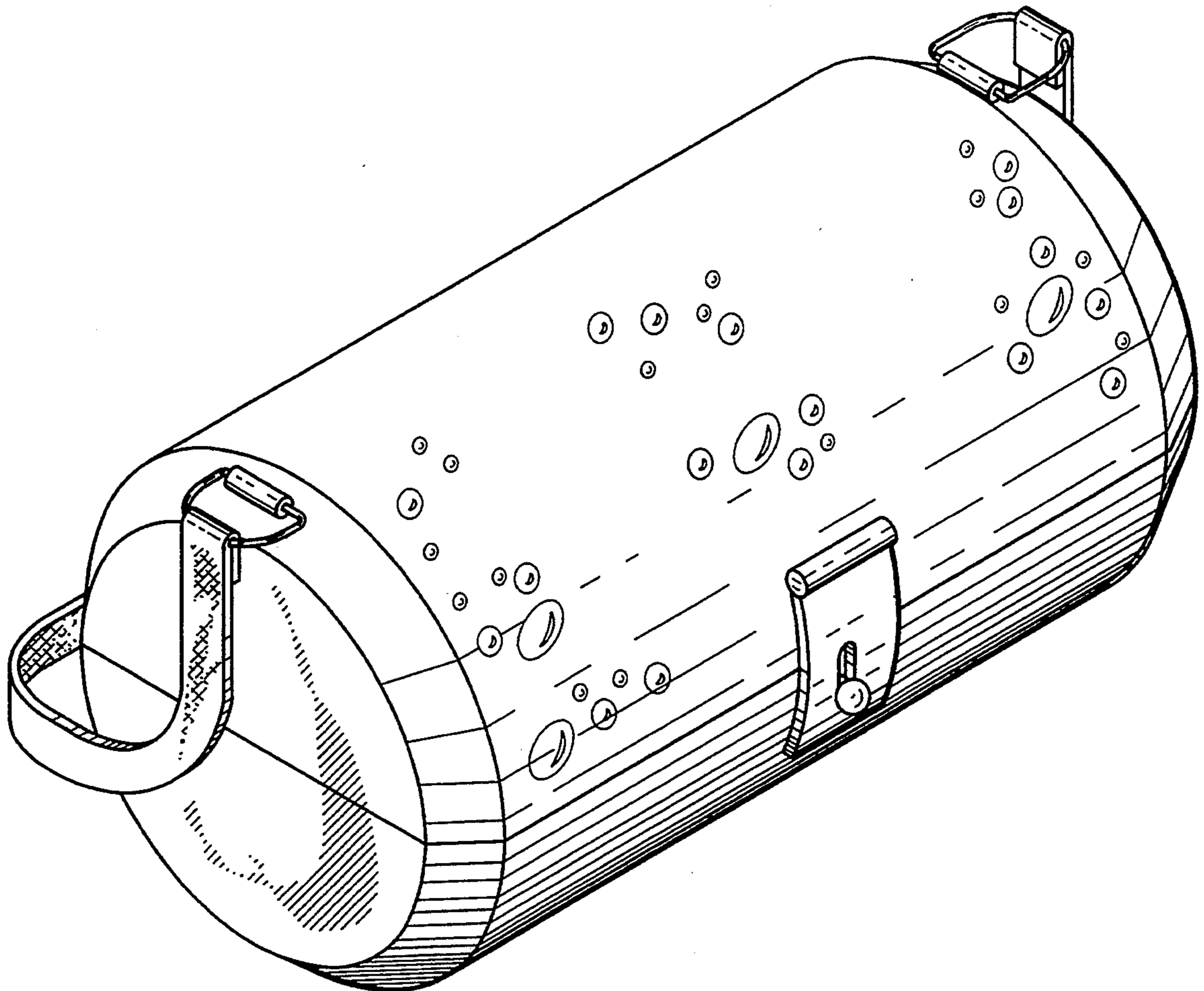
[58] Field of Search **D7/709-710, D7/605; D3/273, 276, 291, 294, 229, 254; 206/541, 545, 549; 220/412**

FIG. 1 is a perspective view of a combined meal and beverage carrier showing my new design; FIG. 2 is a front elevational view thereof; FIG. 3 is a top plan view thereof; FIG. 4 is a rear elevational view thereof; FIG. 5 is a bottom plan view thereof; FIG. 6 is a left side elevational view thereof, the opposite side being a mirror image; and, FIG. 7 is a fragmentary view top plan view thereof.

[56] **References Cited**

U.S. PATENT DOCUMENTS

- D. 283,758 5/1986 Stewart et al. D3/276 X
- D. 283,845 5/1986 Lief et al. D3/276 X



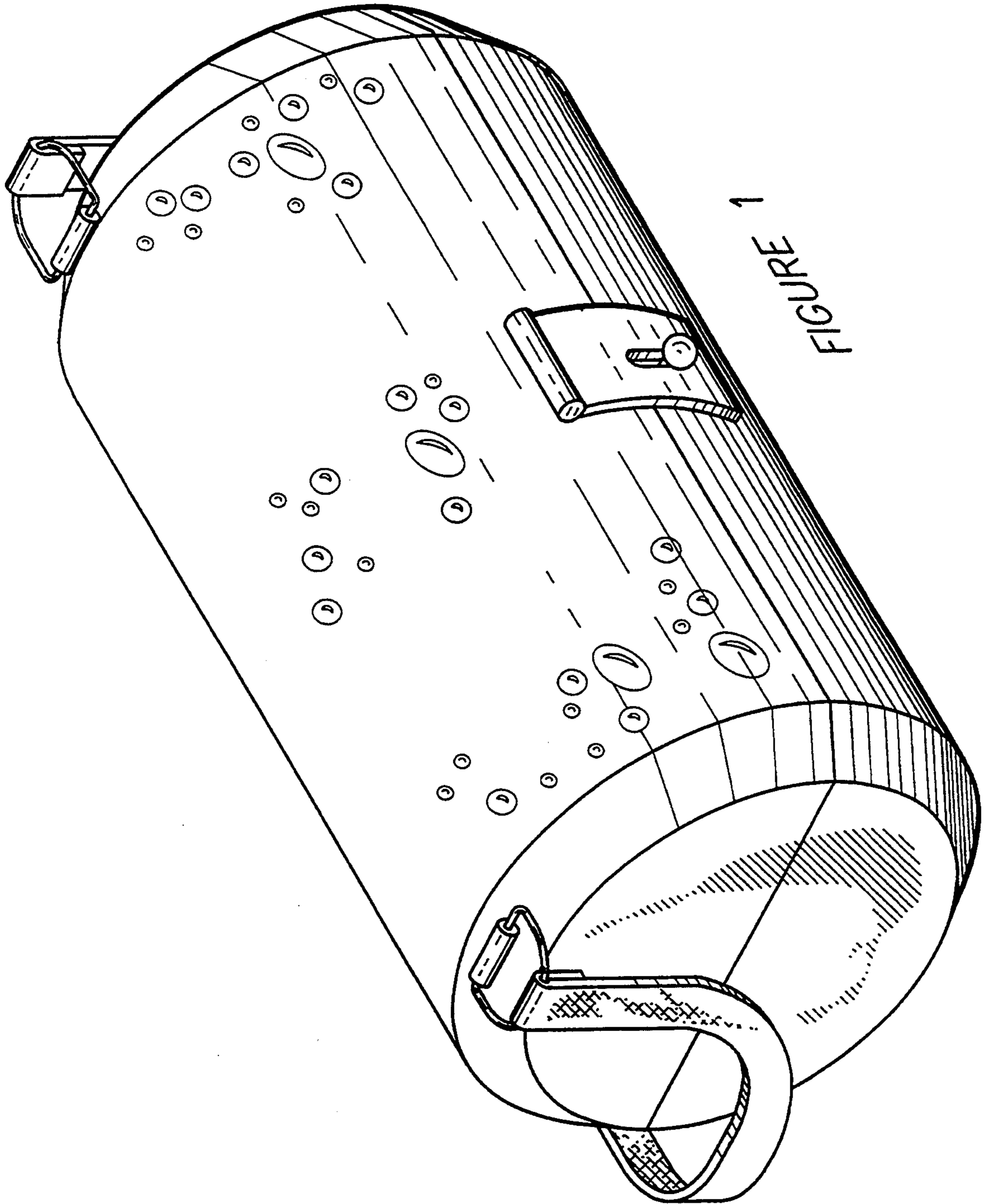


FIGURE 1

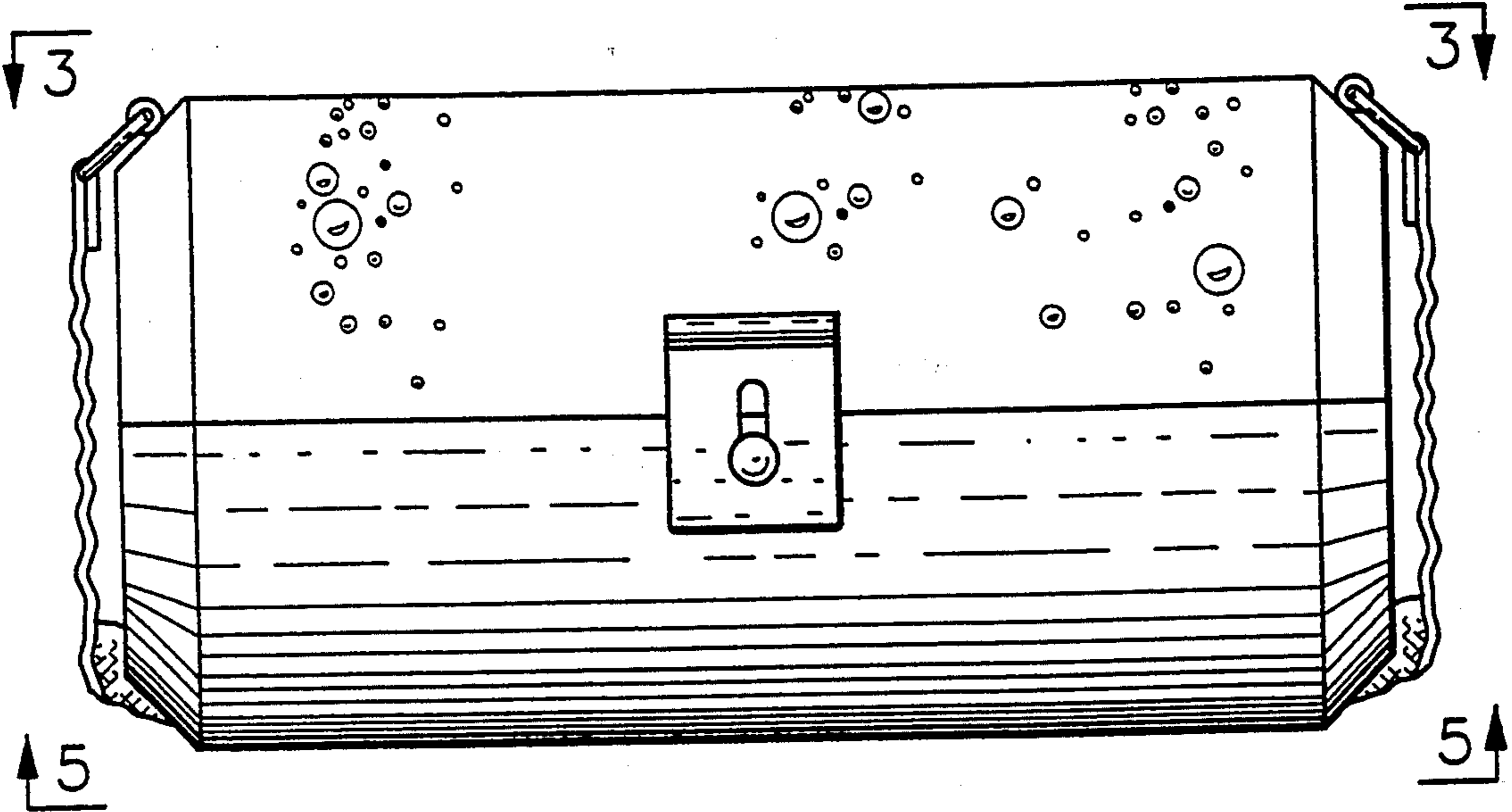


FIGURE 2

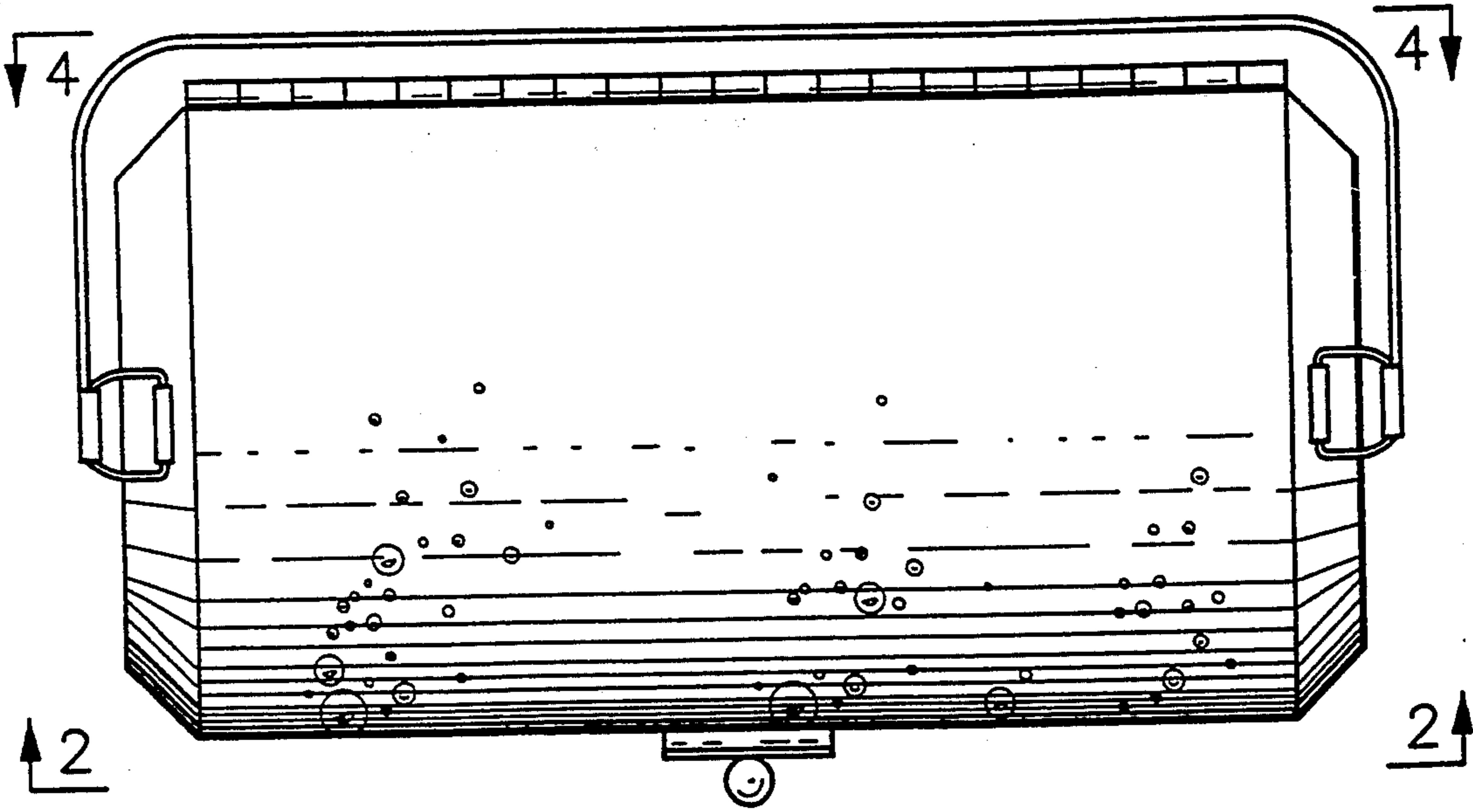
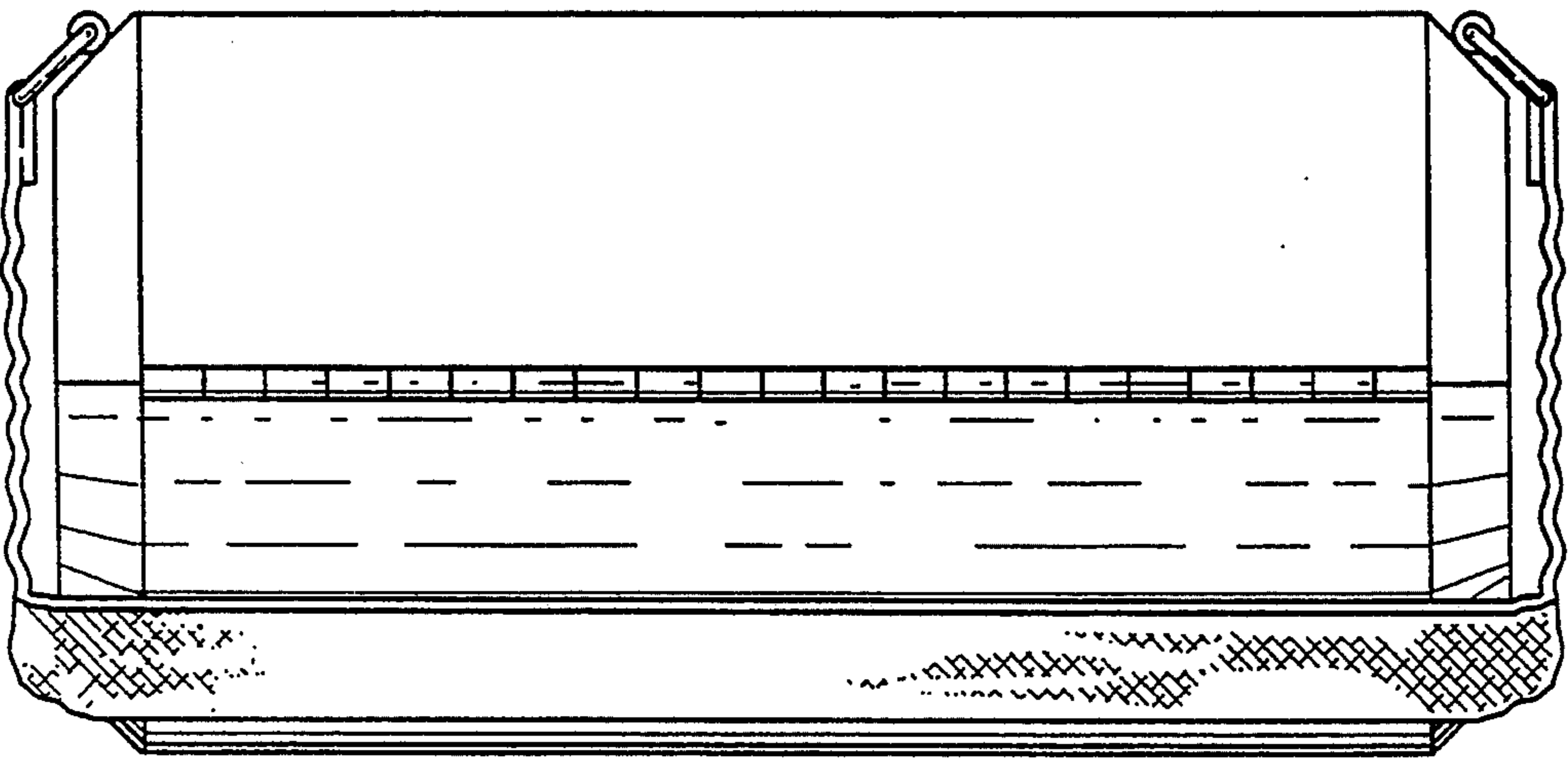


FIGURE 3

6



6

FIGURE 4

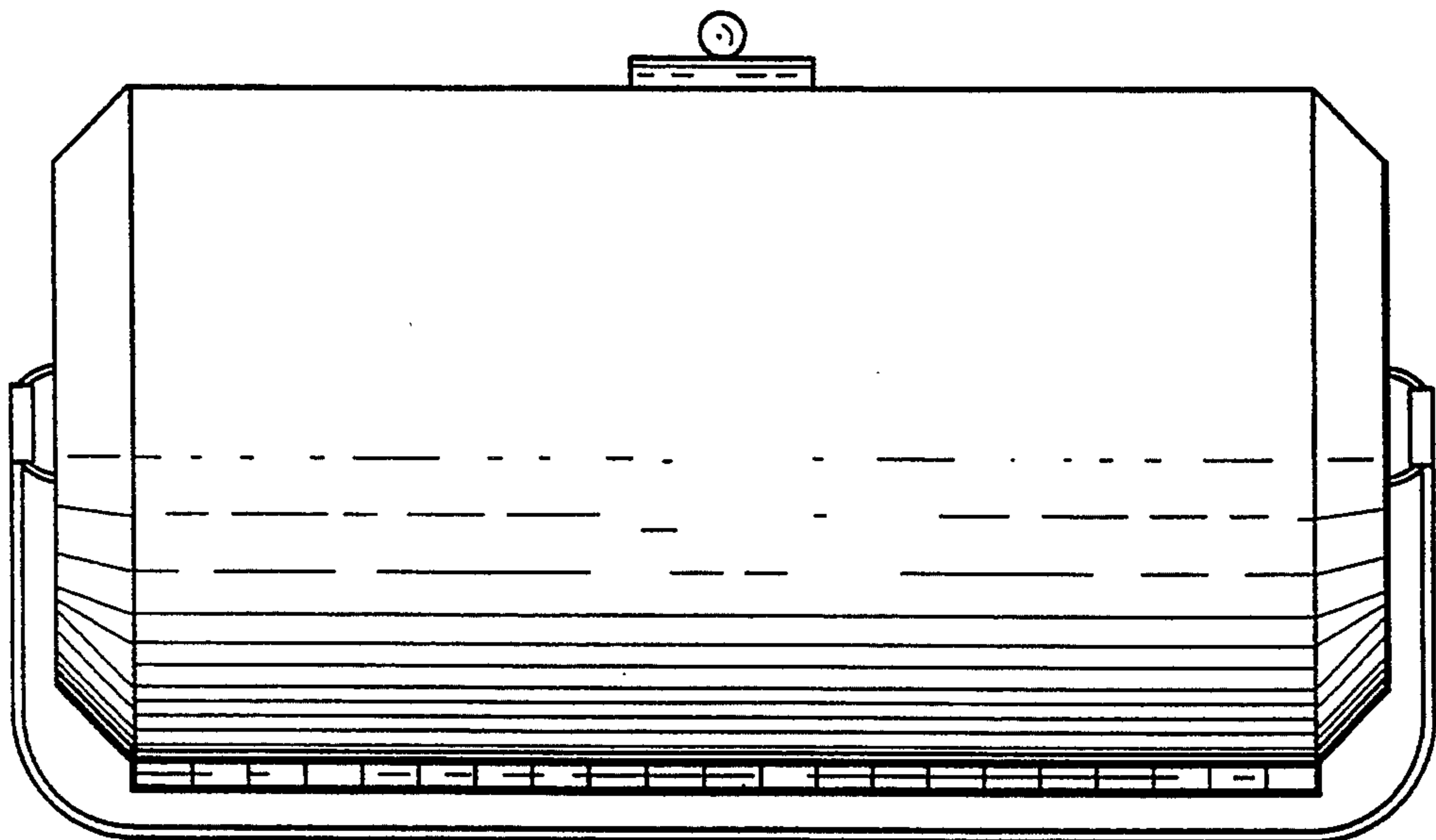


FIGURE 5

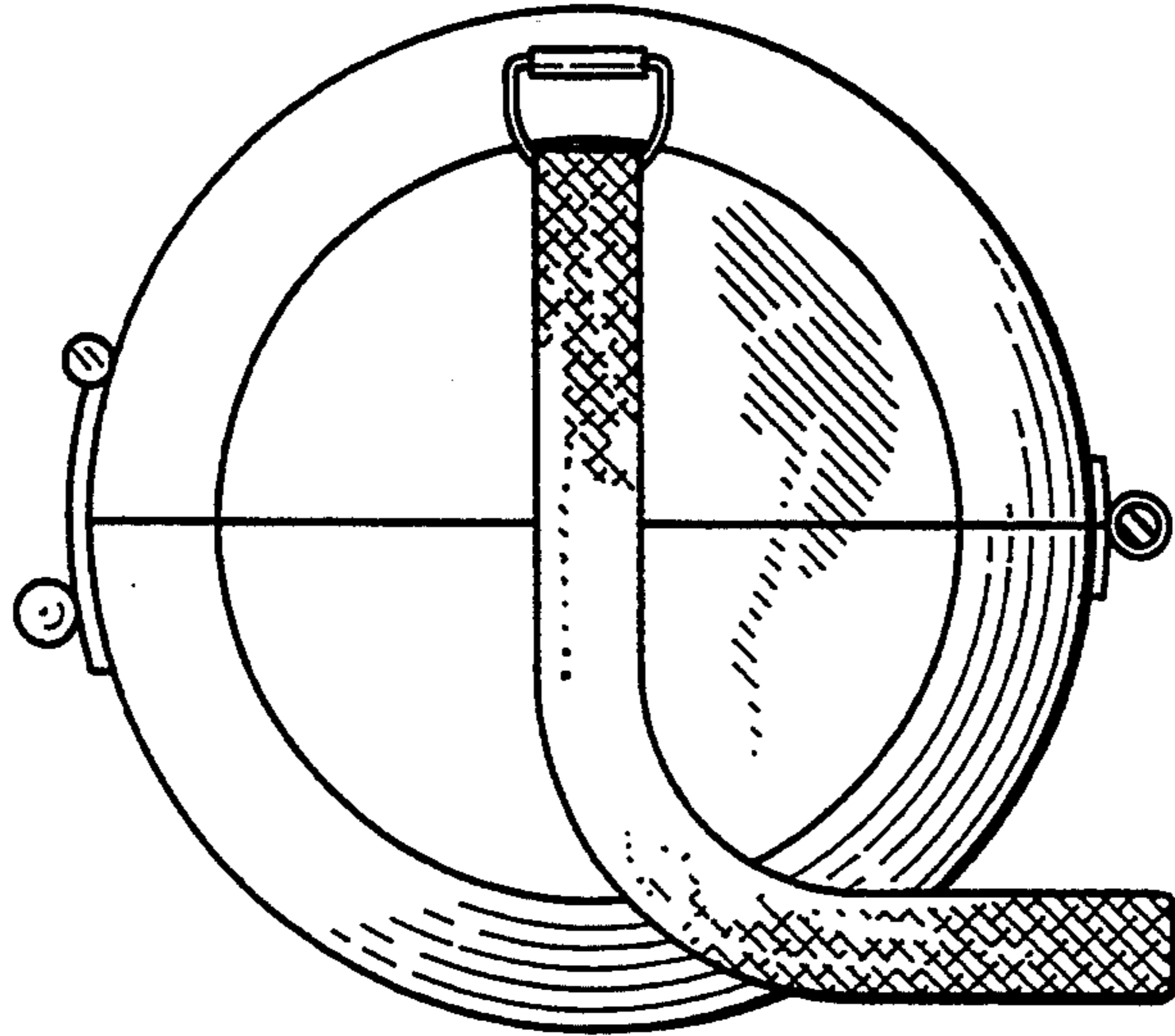


FIGURE 6

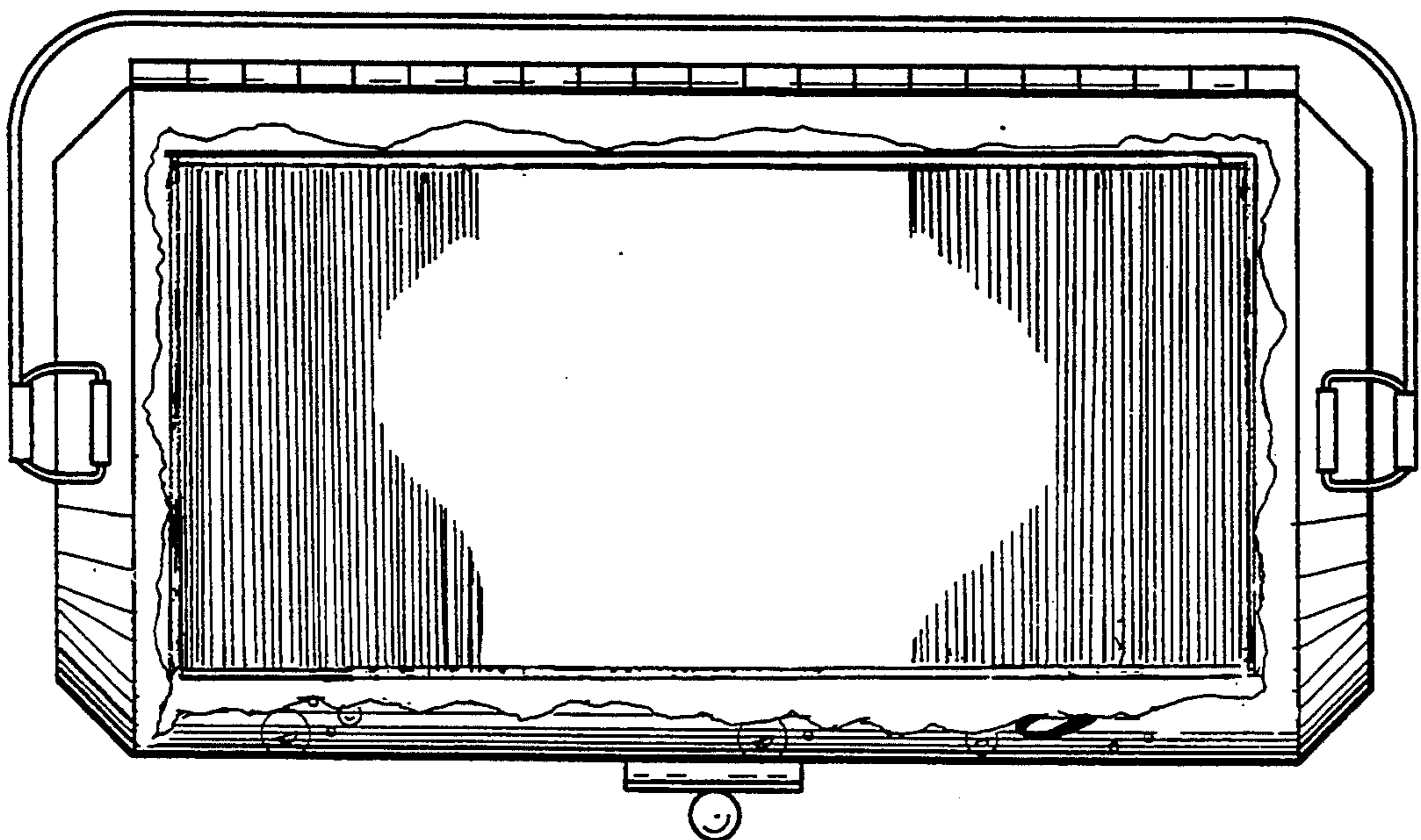


FIGURE 7