



US00D353748S

United States Patent [19]

[11] Patent Number: **Des. 353,748**

Ferris et al.

[45] Date of Patent: **** Dec. 27, 1994**

[54] **HANDLED LUNCHBOX**

5,111,920 5/1992 Castelli et al. .

[75] Inventors: **Ian Ferris**, Wokingham, United Kingdom; **Victor J. J. Cautereels**, Borsbeek, Belgium

Primary Examiner—Terry A. Wallace
Attorney, Agent, or Firm—John A. Doninger

[73] Assignee: **Dart Industries Inc.**, Deerfield, Ill.

[57] **CLAIM**

[**] Term: **14 Years**

The design for a handled lunchbox, as shown and described.

[21] Appl. No.: **10,763**

DESCRIPTION

[22] Filed: **Jul. 19, 1993**

[52] U.S. Cl. **D7/709; D3/276**

[58] Field of Search **D7/629, 709-710; D9/414, 420, 424-425, 430; D3/273, 276, 282; 206/541, 545, 549**

FIG. 1 is a top, front perspective view of a handled lunchbox showing our new design;
FIG. 2 is an exploded perspective view thereof;
FIG. 3 is a top plan view thereof;
FIG. 4 is a front elevational view thereof;
FIG. 5 is a bottom plan view thereof;
FIG. 6 is a rear elevational view thereof;
FIG. 7 is a side elevational view thereof of the opposite side of FIG. 6;
FIG. 8 is a side elevational view of the handled lunchbox from the opposite side thereof;
FIG. 9 is a transverse cross-sectional view thereof taken along the plane of the line 9-9 FIG. 3; and,
FIG. 10 is a longitudinal cross-sectional view thereof taken along the plane of the line 10-10 of FIG. 3.

[56] **References Cited**

U.S. PATENT DOCUMENTS

- D. 255,084 5/1980 Petrie .
- D. 263,015 2/1982 Loncasty D7/709
- D. 268,040 2/1983 Ng .
- D. 322,031 12/1991 Fleming .
- 2,745,524 5/1956 Plotkin .
- 2,768,720 10/1956 Nelson .
- 3,513,951 5/1970 Leong et al. .

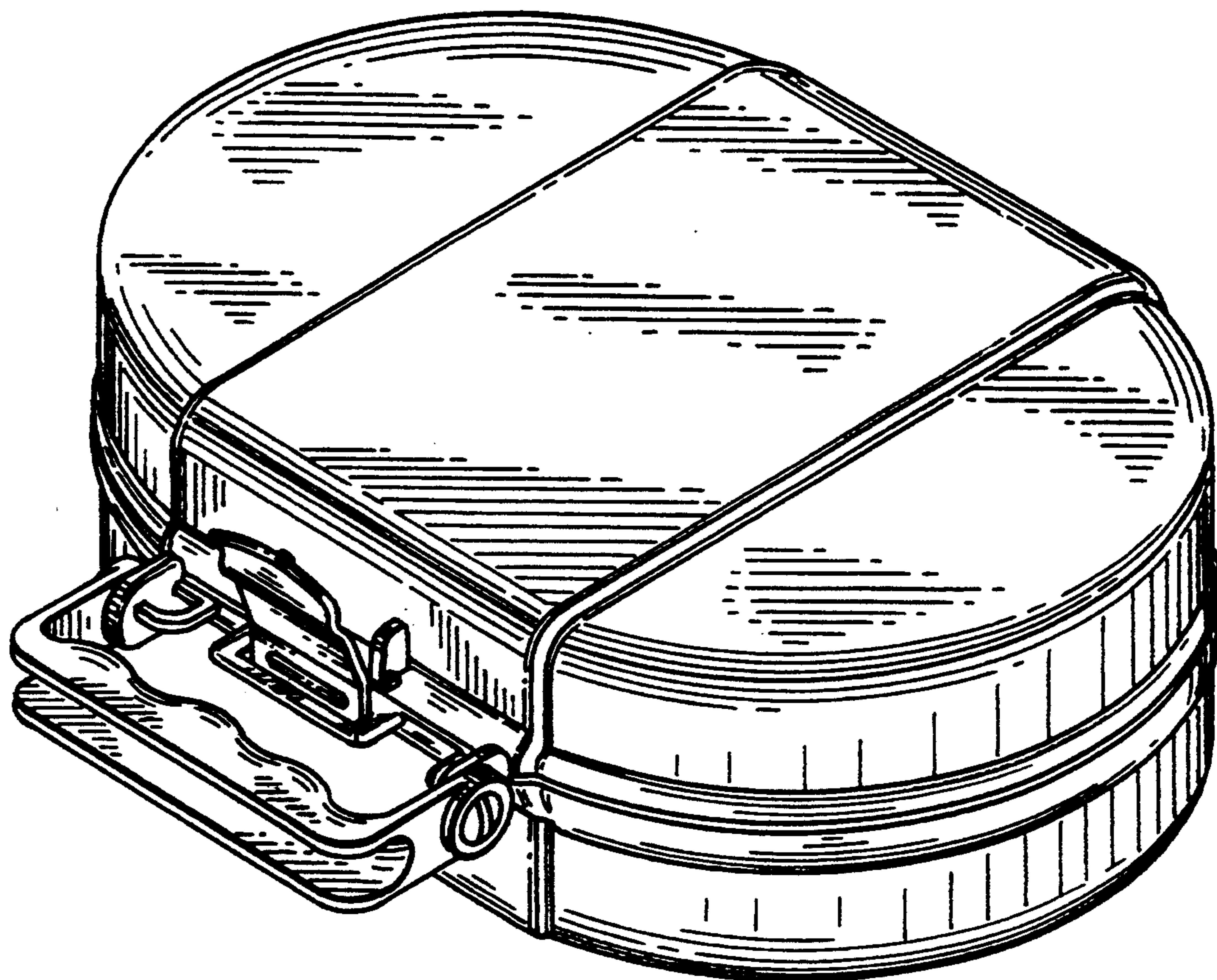
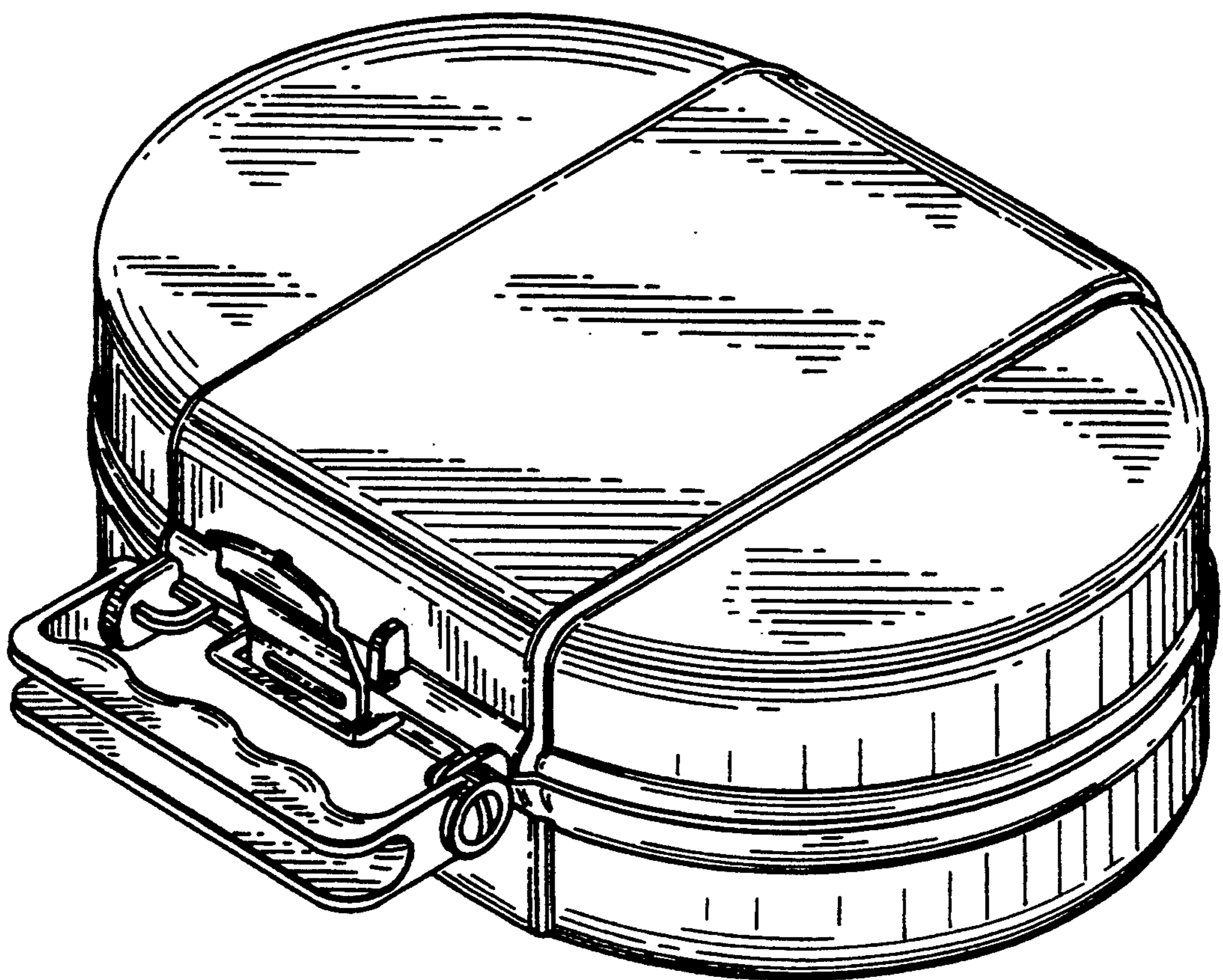


FIG. 1



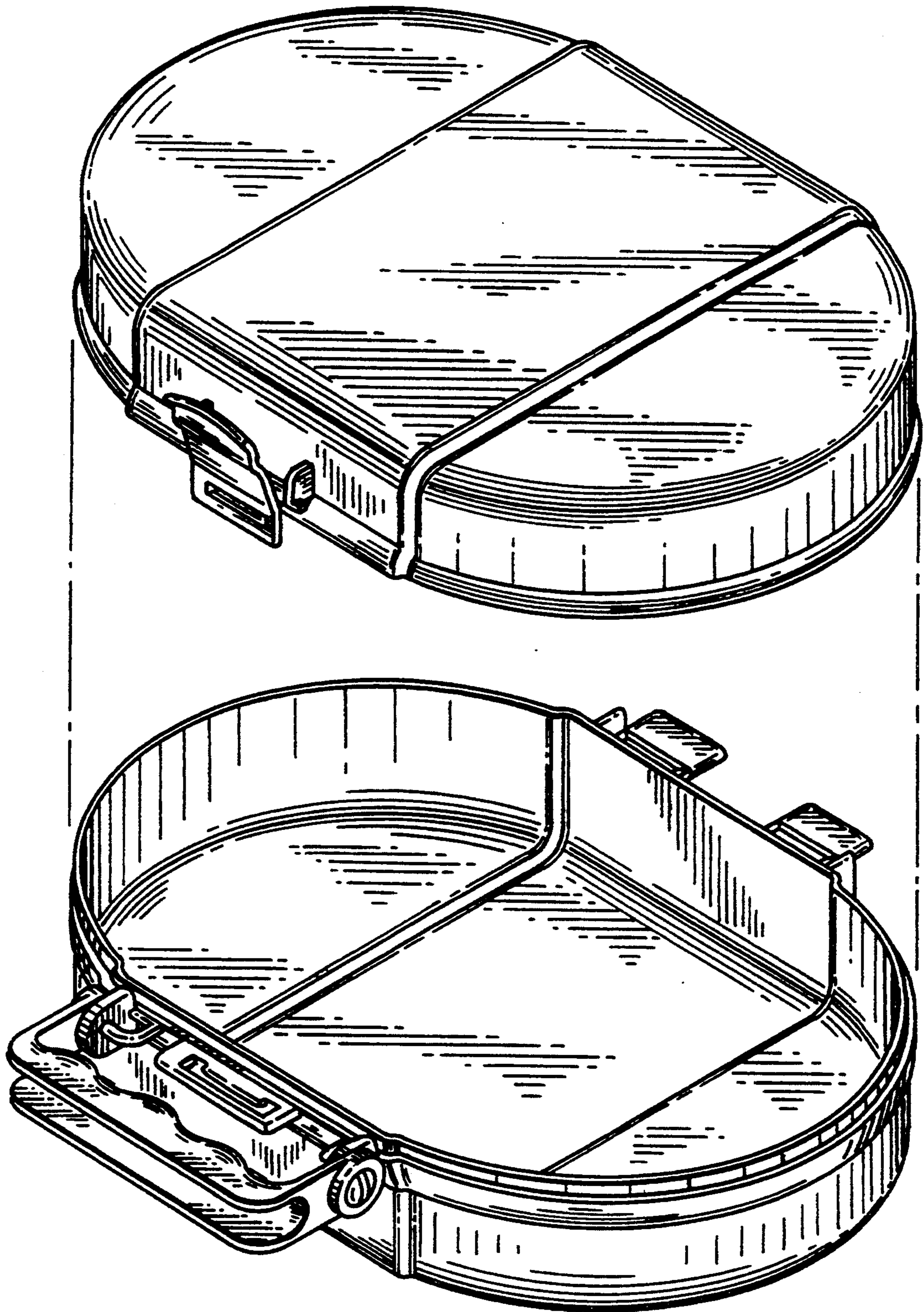


FIG. 2

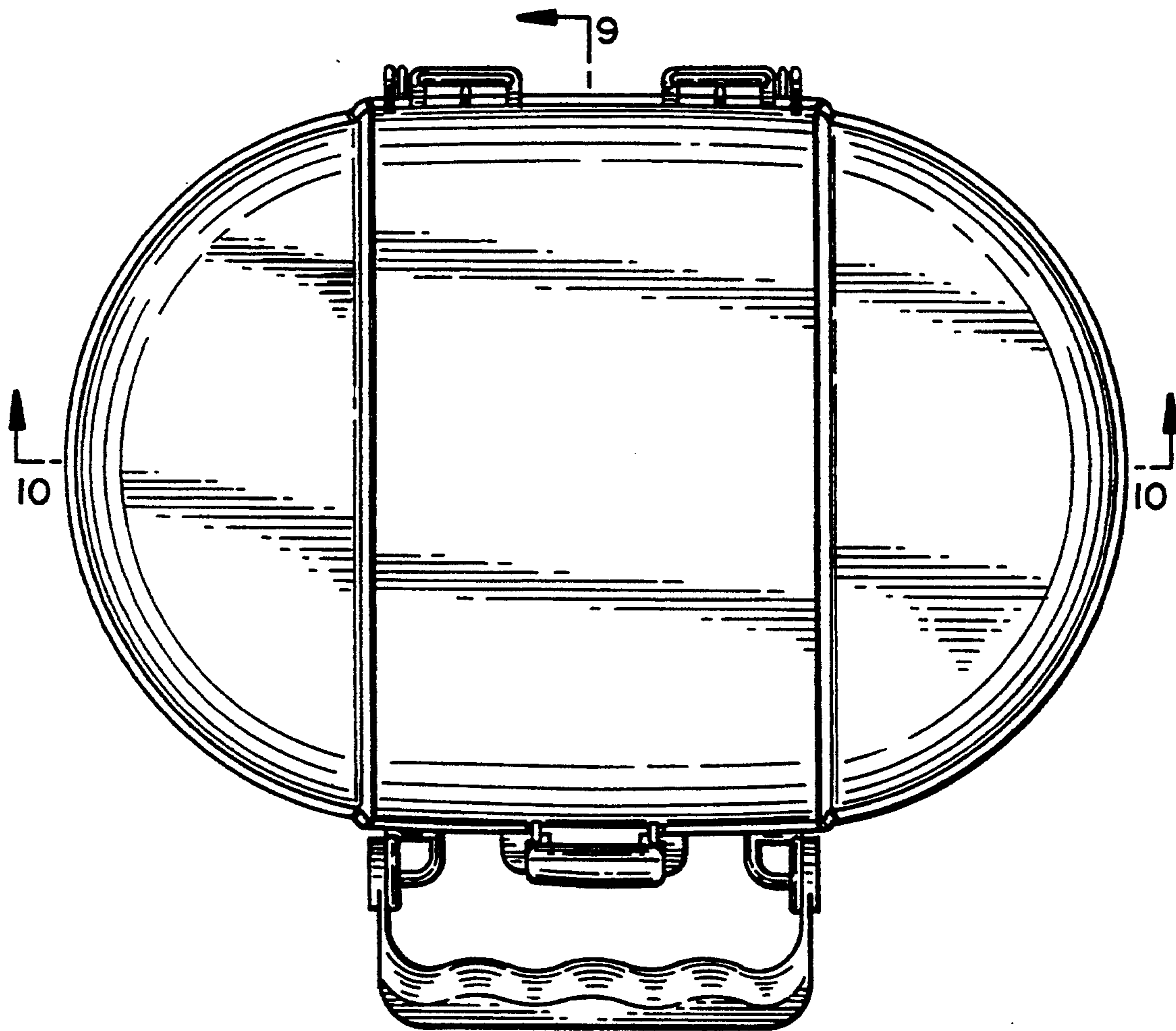


FIG. 3

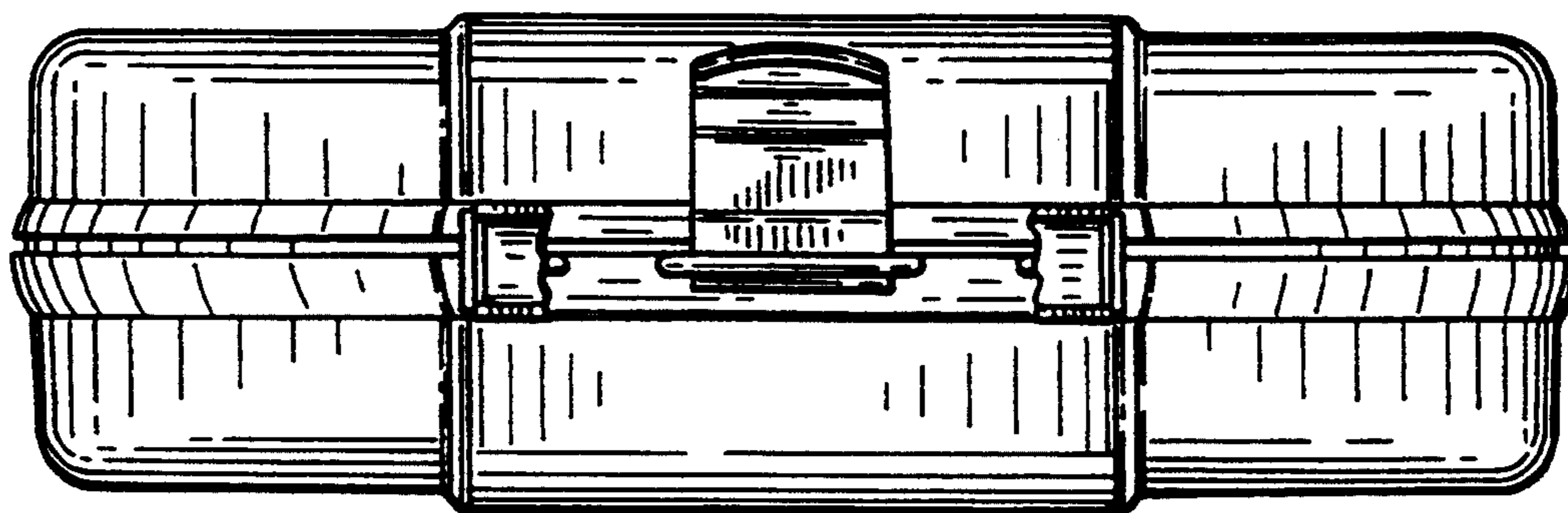


FIG. 4

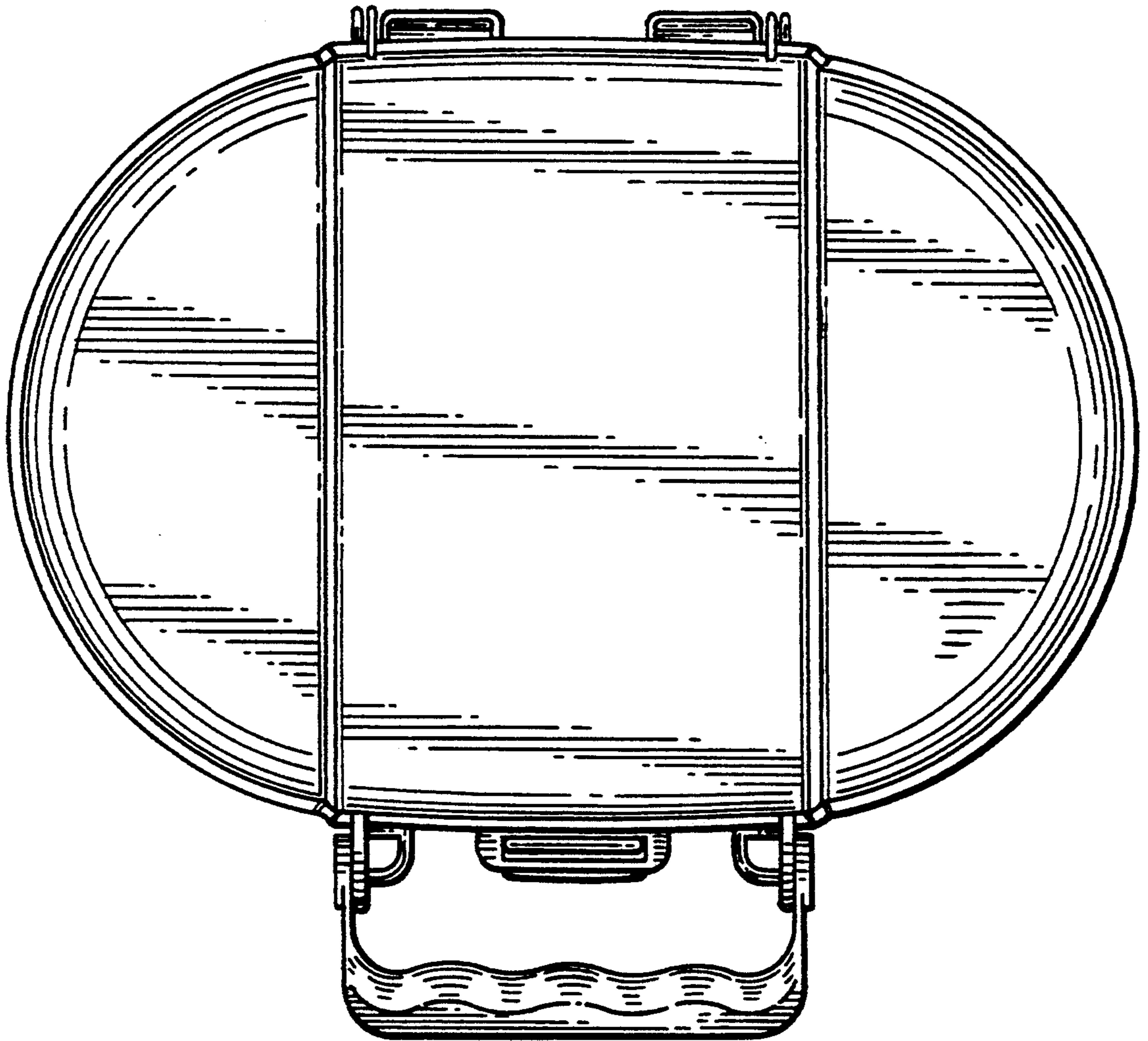


FIG. 5

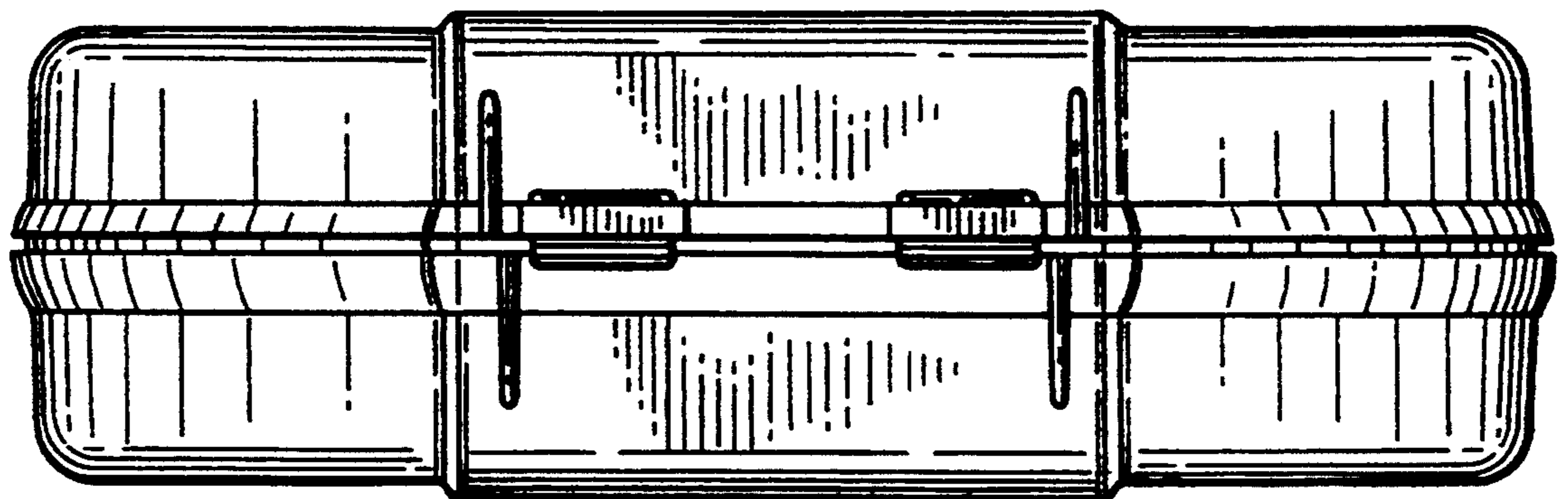


FIG. 6

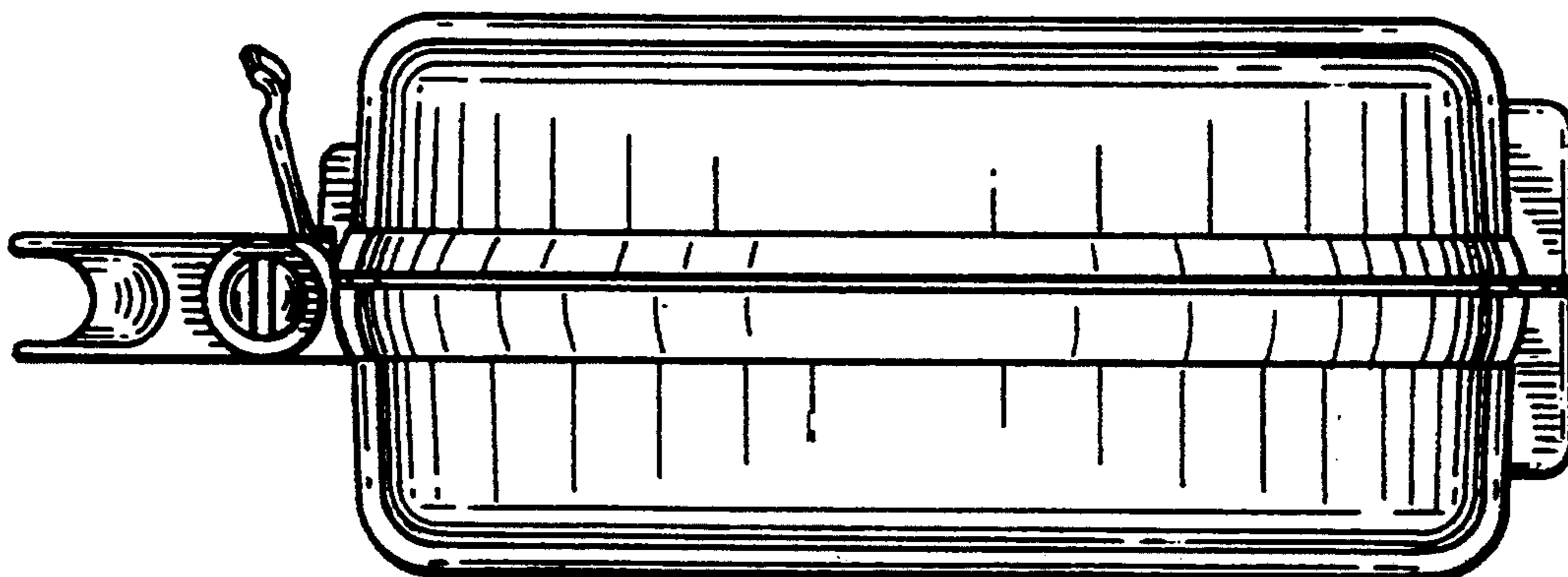


FIG. 7

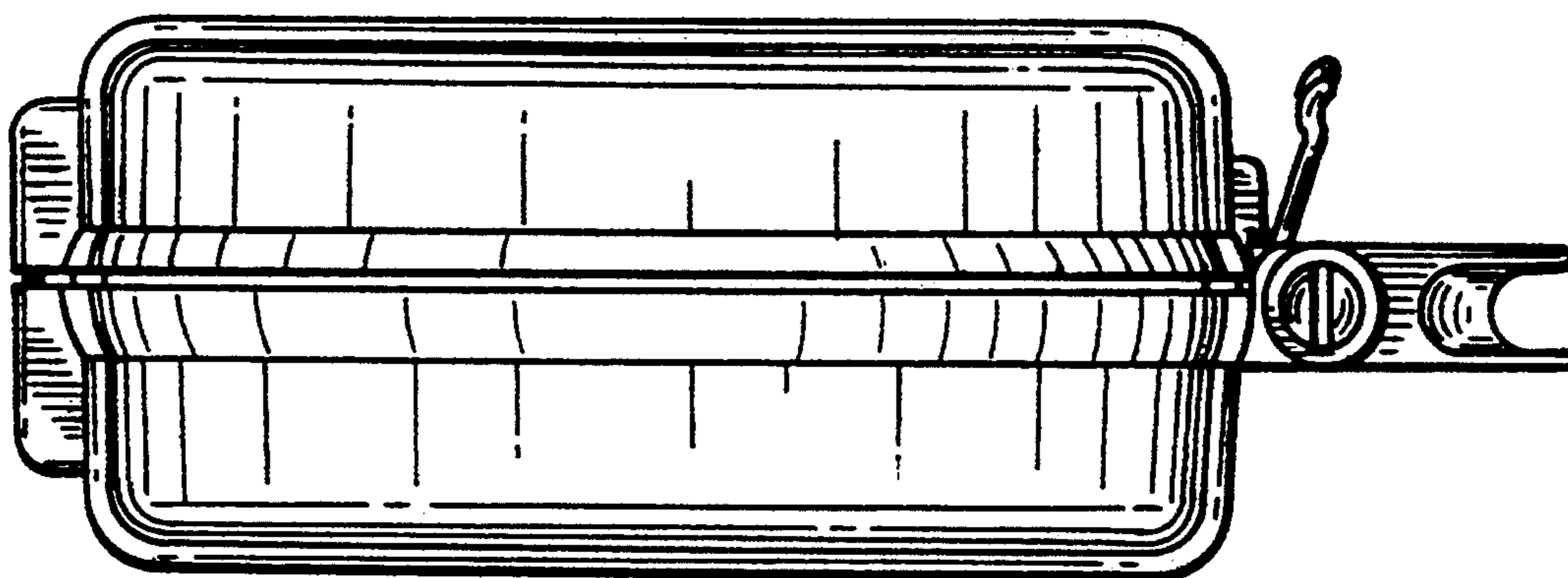


FIG. 8

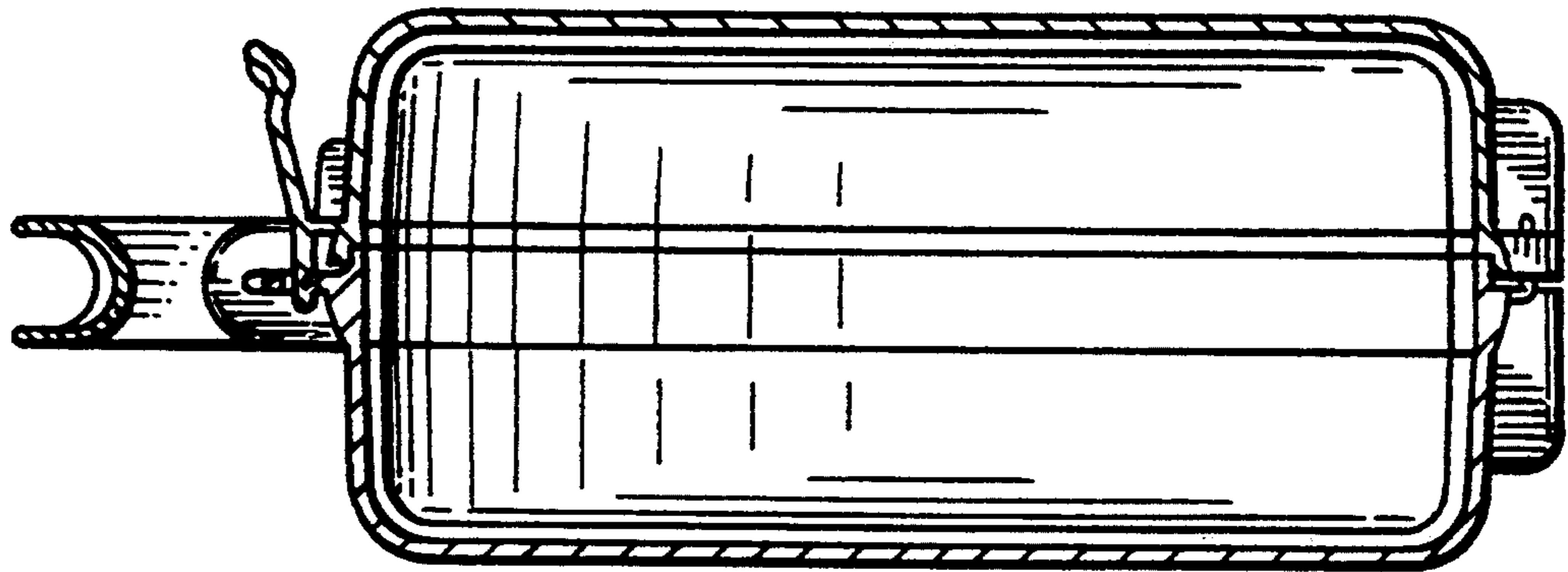


FIG. 9

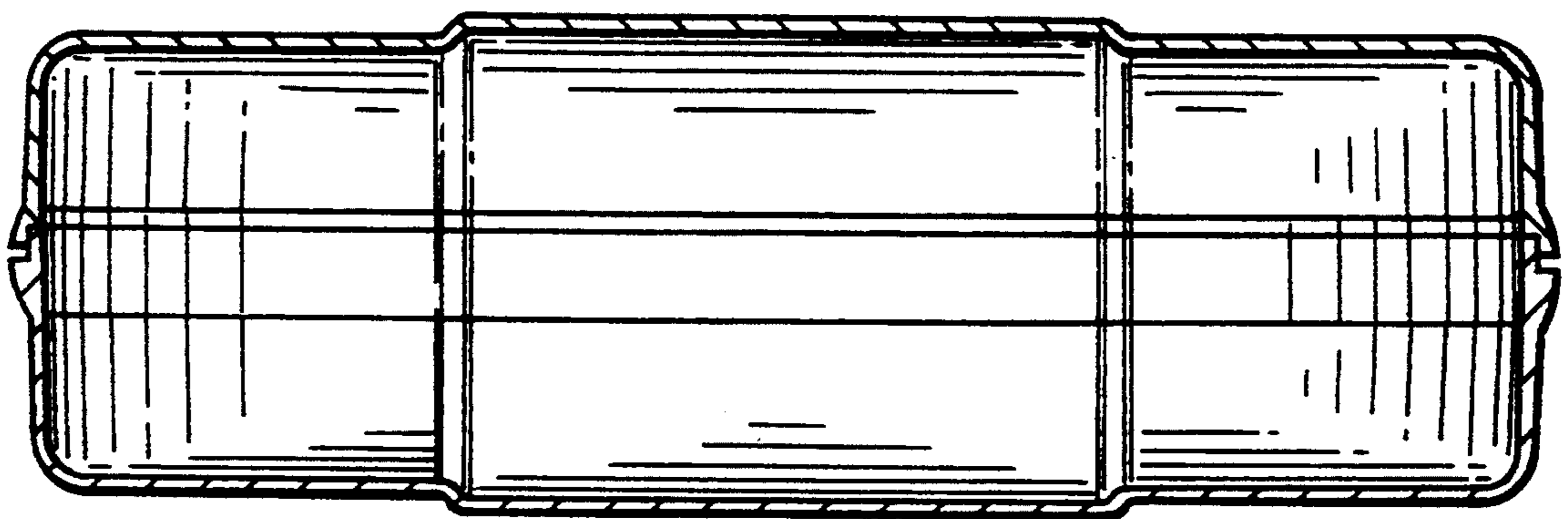


FIG. 10