



US00D353743S

United States Patent [19]

[11] Patent Number: Des. 353,743

Jochem et al.

[45] Date of Patent: ** Dec. 27, 1994

[54] CANISTER

[75] Inventors: **David J. Jochem**, Evansville, Ind.;
Timmy L. Willett, Waverly, Ky.

[73] Assignee: **Berry Plastics Corporation**,
Evansville, Ind.

[**] Term: **14 Years**

[21] Appl. No.: **15,264**

[22] Filed: **Nov. 12, 1993**

3,794,200 2/1974 Marks .
 3,858,741 1/1975 Smith, Sr. .
 3,998,355 12/1976 Galer .
 4,014,452 3/1977 Galer .
 4,034,886 7/1977 Galer .
 4,036,385 7/1977 Morris .
 4,105,132 8/1978 Keeler .
 4,385,711 5/1983 Bowen .
 4,427,124 1/1984 Marshall et al. .
 4,653,672 3/1987 Tuerk et al. .
 4,814,568 3/1989 Keefer D7/540
 4,961,512 10/1990 Von Holdt .
 4,967,926 11/1990 Morris, Sr. .

Related U.S. Application Data

[63] Continuation of Ser. No. 82,982, Jun. 25, 1993, Pat. No. 5,310,074.

[52] U.S. Cl. D7/612; D9/428; D9/504

[58] Field of Search D7/612-615, D7/538-542; D9/414, 428, 516, 549, 503-504, 424; 215/217-218, 222-223; 220/296, 293, 297-298, 306

Primary Examiner—Terry A. Wallace
Attorney, Agent, or Firm—Barnes & Thornberg

[57] CLAIM

The ornamental design for a canister, as shown and described.

DESCRIPTION

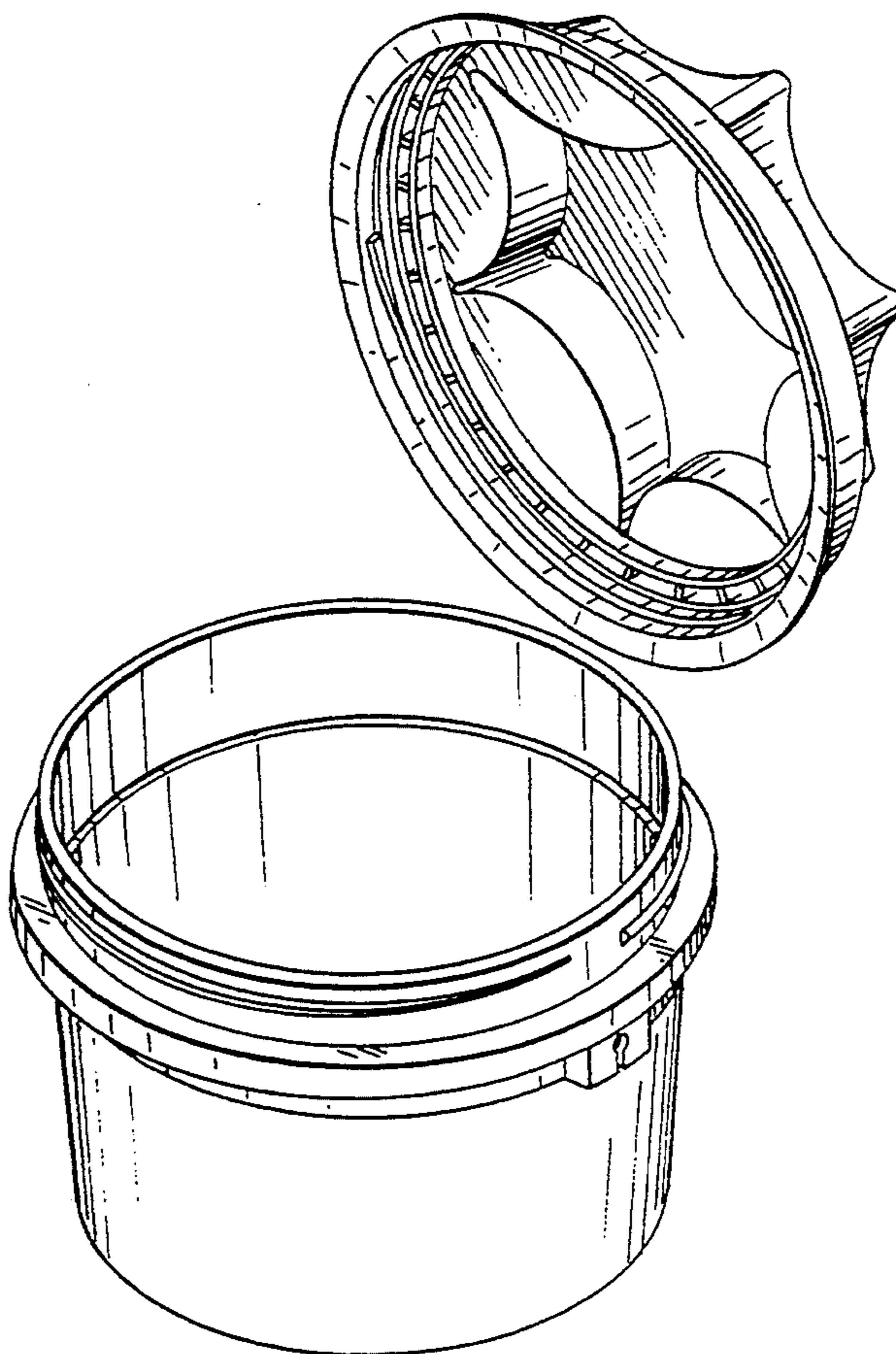
FIG. 1 is a front elevational view of a canister showing our new design; the opposite side being a mirror image; FIG. 2 is a top plan view thereof; and, FIG. 3 is an exploded front, right side perspective view thereof.

The undisclosed left side view is a mirror image of the right side and the bottom is planar and unornamented.

[56] References Cited

U.S. PATENT DOCUMENTS

D. 315,503 3/1991 Hart et al. D9/428
 3,656,647 4/1972 Swinn .



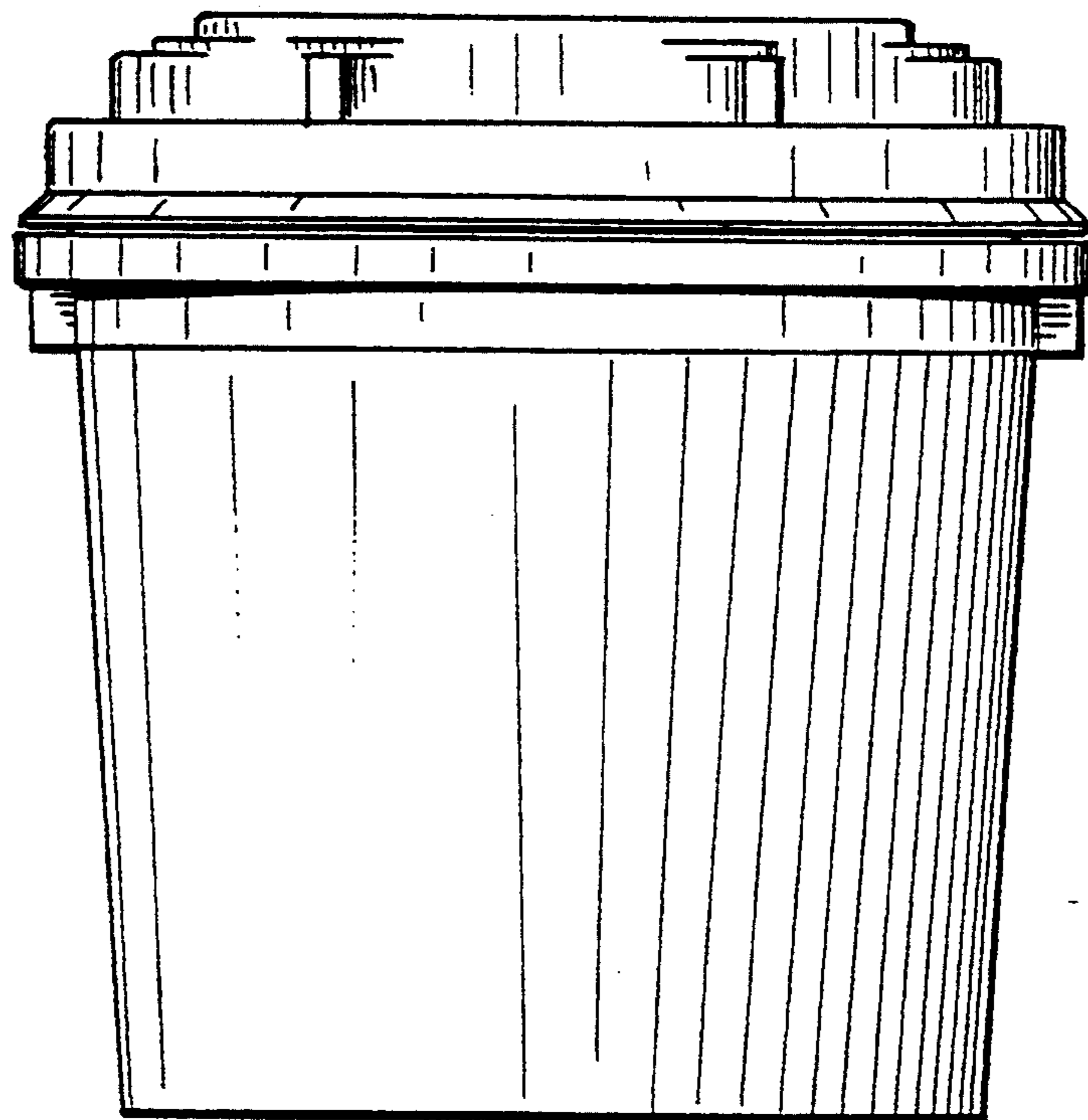


FIG. 1

FIG. 3

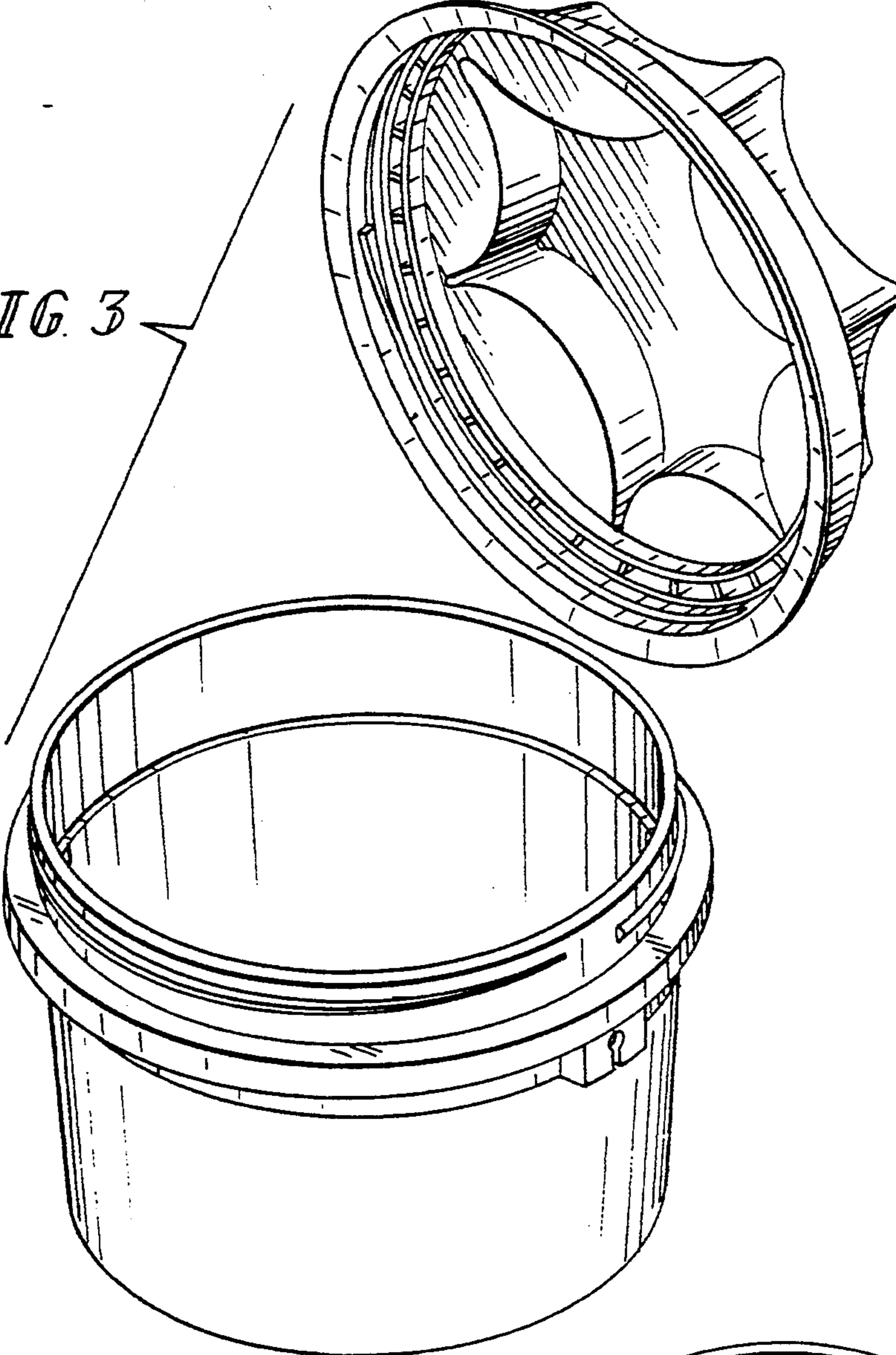


FIG. 2

