



US00D353740S

# United States Patent [19] Gilstrap

[11] Patent Number: **Des. 353,740**  
[45] Date of Patent: **\*\* Dec. 27, 1994**

## [54] BEVERAGE DISPENSER

- [75] Inventor: **C. Gene Gilstrap, Waco, Tex.**
- [73] Assignee: **Schooner's International, Inc.,  
Robinson, Tex.**
- [\*\*] Term: **14 Years**
- [21] Appl. No.: **9,604**
- [22] Filed: **Jun. 15, 1993**
- [52] U.S. Cl. .... **D7/307; D7/308;  
D7/311**
- [58] Field of Search ..... **D7/300, 213, 304, 305,  
D7/306, 307, 308, 309, 310, 311, 312; 99/279;  
222/129.1**

## [56] References Cited

### U.S. PATENT DOCUMENTS

D. 260,996	9/1981	Cornett .....	D7/308
D. 261,269	10/1981	Cornett .....	D7/307
D. 269,516	6/1983	Kiser .....	D7/308
D. 271,462	11/1983	Lents .....	D7/305
D. 271,463	11/1983	Lents .....	D7/307 X
D. 312,021	11/1900	Mohat .....	D7/311 X
D. 320,524	10/1991	Schechter .....	D7/311 X
D. 338,062	4/1993	Kolada et al. ....	D7/308
D. 347,960	6/1994	Strohmeier et al. ....	D7/306 X
3,934,759	1/1976	Gannella et al. ....	D7/307 X

## OTHER PUBLICATIONS

Dispenser (bottom right), Food Service Equipment Specialist, Oct. 1979, p. 31.  
 Dispenser (TJ-45) Restaurants & Institutions p. 112, Spring 1988.  
 A beverage dispenser as shown in "Convenience Store Decisions", Sep., 1993 issue, United States, p. 97.  
 A beverage dispenser as shown in "Convenience Store Decisions", Jul., 1993 issue, United States, p. 46.  
 Beverage dispensers as shown in "Beverage Aisle", Aug., 1993 issue, United States, pp. 16, 22 and 48.

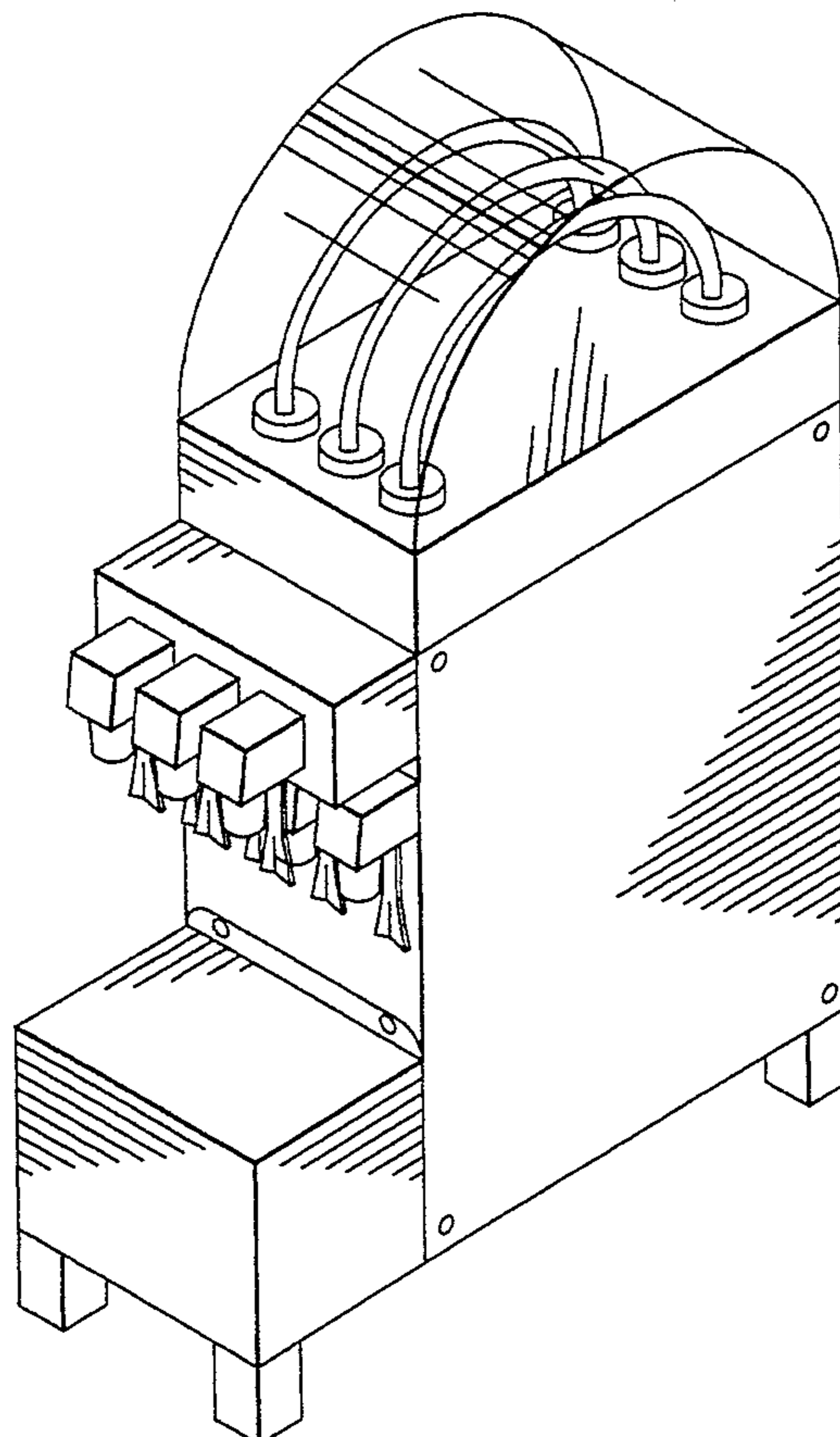
*Primary Examiner*—Nelson C. Holtje  
*Assistant Examiner*—M. N. Pandozzi  
*Attorney, Agent, or Firm*—Crutsinger & Booth

## [57] CLAIM

The ornamental design for beverage dispenser, as shown and described.

## DESCRIPTION

FIG. 1 is a perspective view showing the front and right side of a beverage dispenser showing my new design; FIG. 2 is a front elevational view thereof; FIG. 3 is right side elevational view, the undisclosed left side being a mirror image thereof; FIG. 4 is a rear elevational view; FIG. 5 is a top plan view; and, FIG. 6 is a bottom plan view.



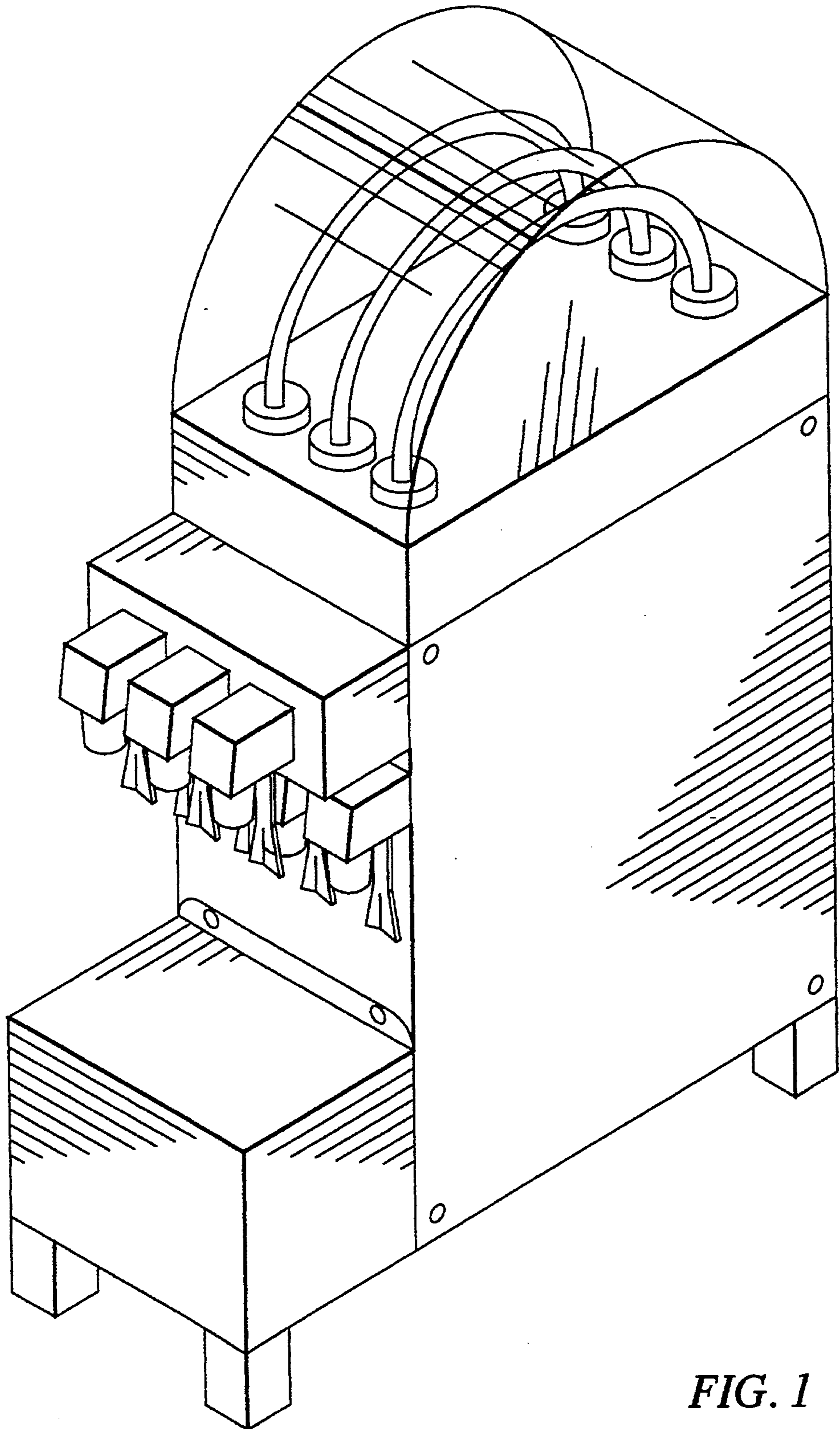


FIG. 1

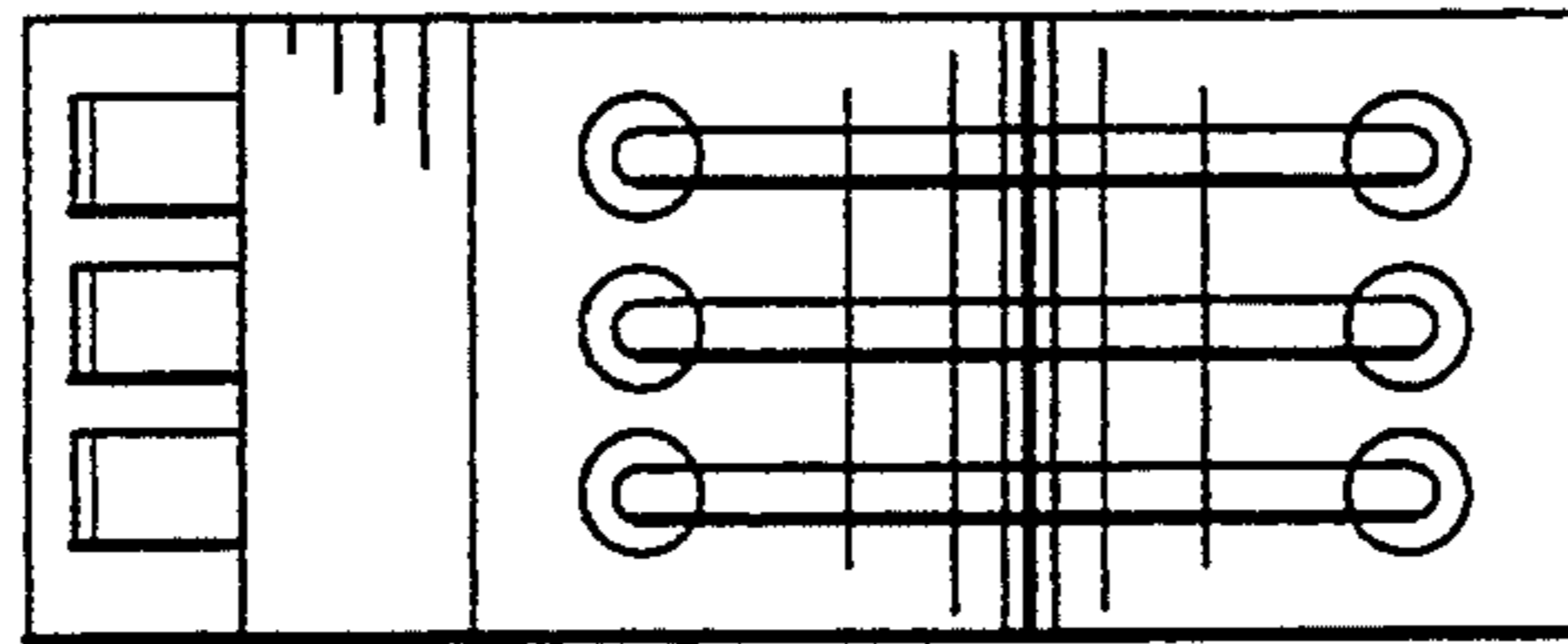


FIG. 5

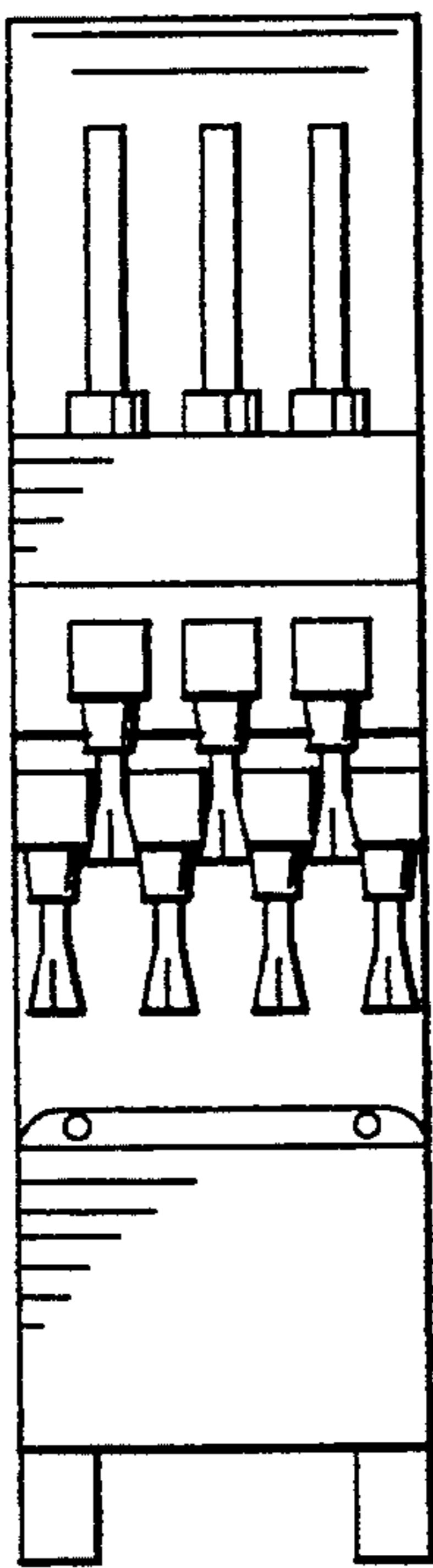


FIG. 2

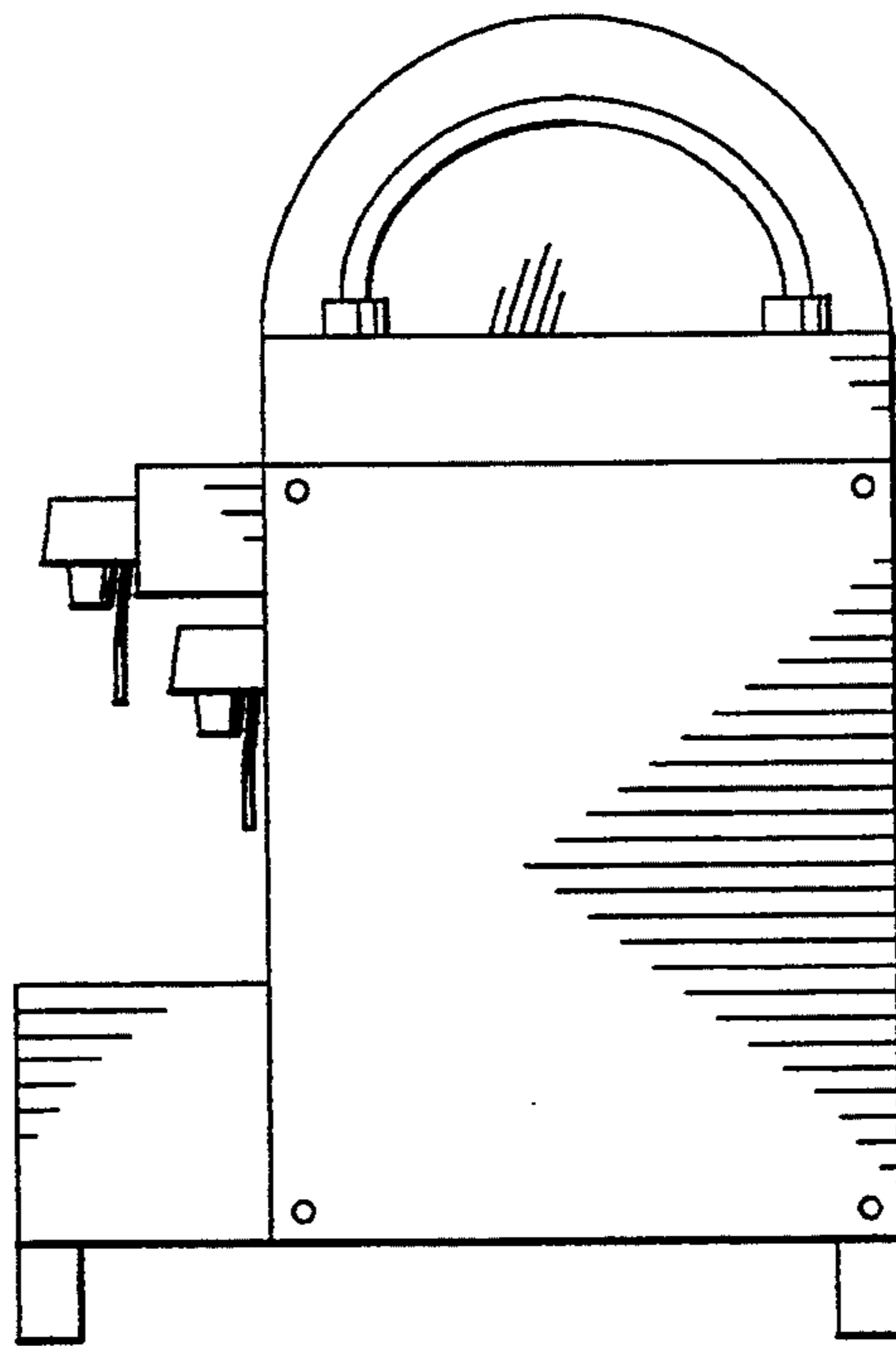


FIG. 3

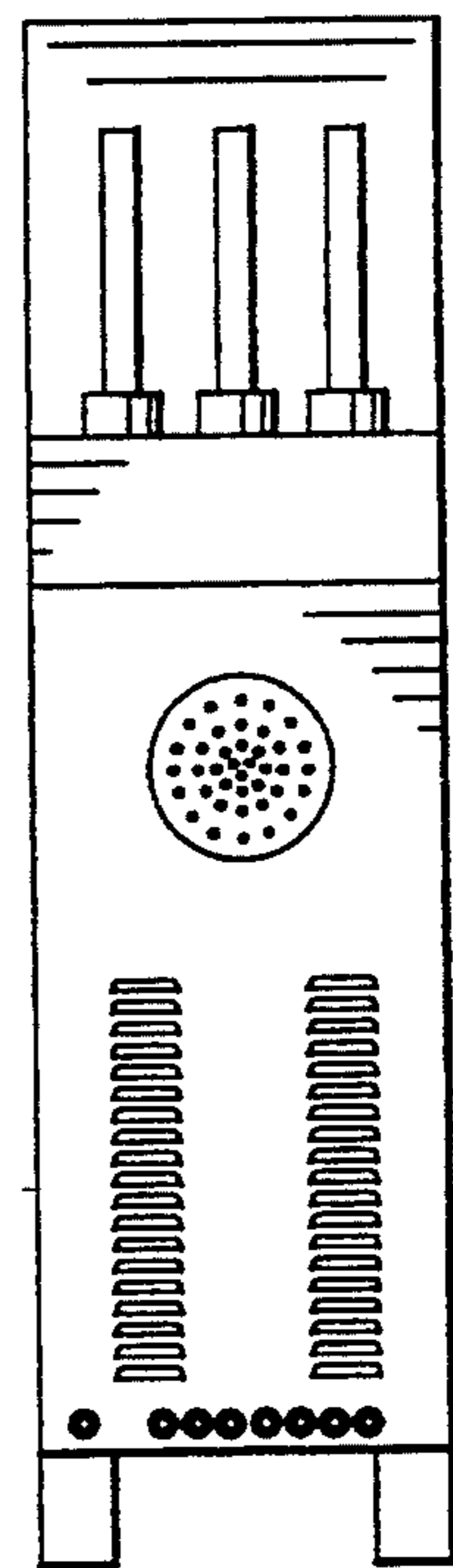


FIG. 4

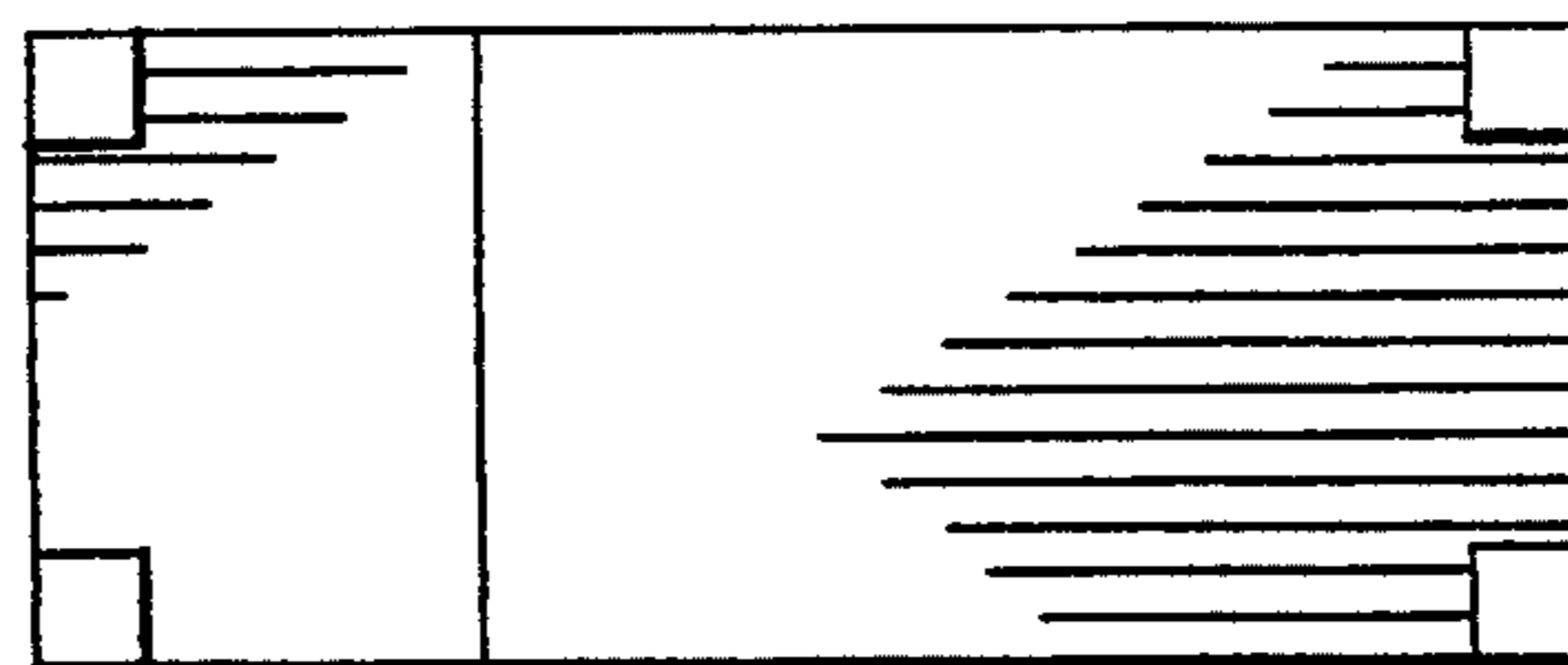


FIG. 6