



US00D353736S

United States Patent [19]
Wenkman

[11] **Patent Number: Des. 353,736**
[45] **Date of Patent: ** Dec. 27, 1994**

[54] **COMPACT DISK WALL RACK**
[76] **Inventor: Gregory J. Wenkman, 6690 Shamrock Glen Cir., Middleton, Wis. 53562**
[**] **Term: 14 Years**
[21] **Appl. No.: 14,848**
[22] **Filed: Nov. 1, 1993**
[52] **U.S. Cl. D6/571; D6/407**
[58] **Field of Search D6/553-574, D6/407; 211/13, 40, 86-87, 89; 248/309.1, 316.1, 316.2, 466, 475.1, 488-489**

4,951,826 8/1990 Tompkins 211/40

Primary Examiner—Brian N. Vinson
Attorney, Agent, or Firm—Quarles & Brady

[57] **CLAIM**

The ornamental design for a compact disk wall rack, as shown and described.

DESCRIPTION

FIG. 1 is a bottom, front, and left side perspective view of a compact disk wall rack showing my new design; FIG. 2 is an enlarged rear elevational view thereof, the broken-line disclosure of a portion of a wall is for illustrative purposes only and forms no part of the claimed design; FIG. 3 is an enlarged bottom plan view thereof, the top being a mirror image of that shown; FIG. 4 is an enlarged left side elevational view thereof; and, FIG. 5 is an enlarged right side elevational view thereof.

[56] **References Cited**
U.S. PATENT DOCUMENTS

| | | | |
|------------|--------|------------------|-----------|
| D. 245,049 | 7/1977 | Dunchock | D6/570 |
| D. 339,706 | 9/1993 | Marostica | D6/571 |
| 4,497,125 | 2/1985 | Hutchinson | 248/488 X |
| 4,673,152 | 6/1987 | Brown | 248/488 X |

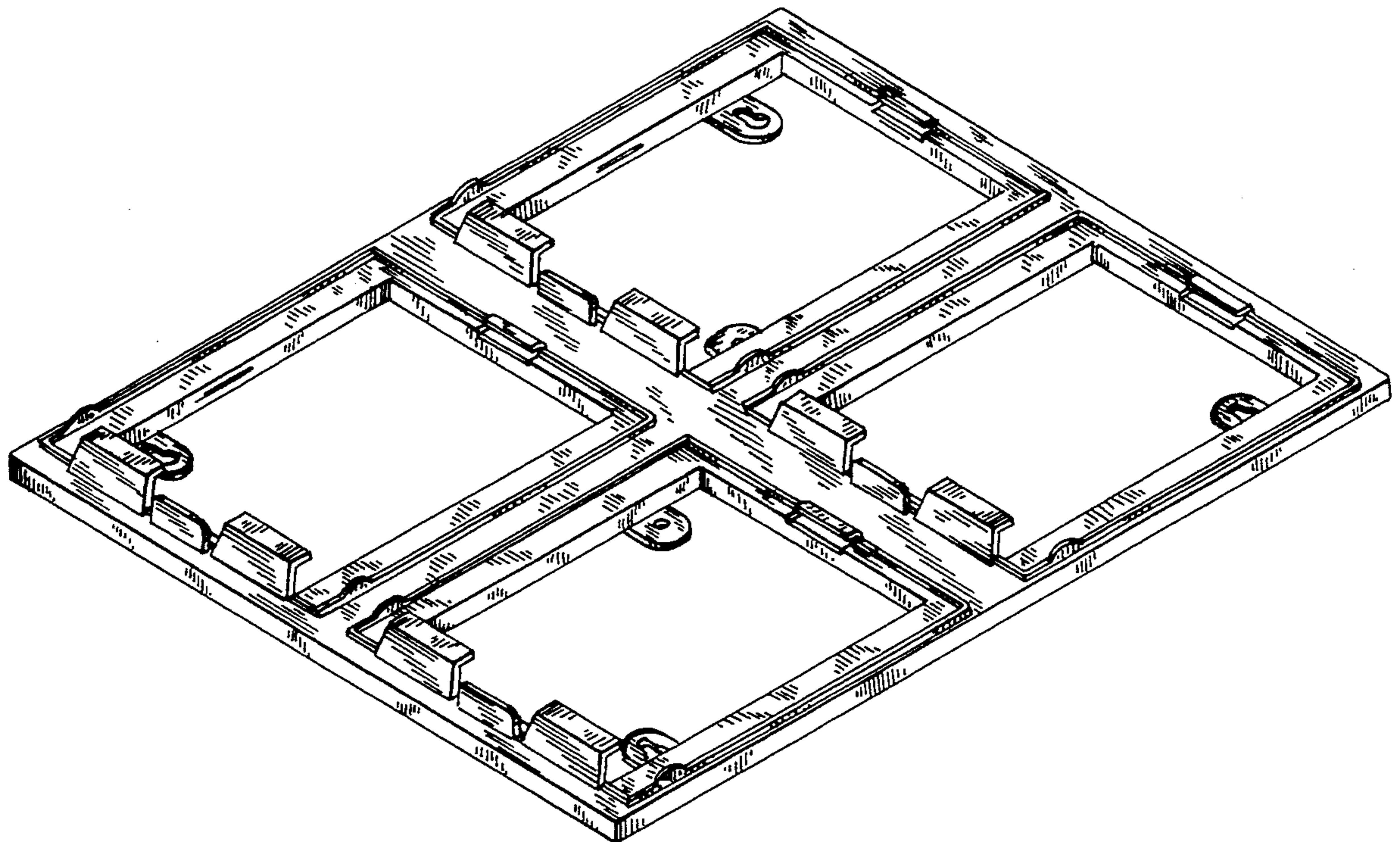


FIG. 1

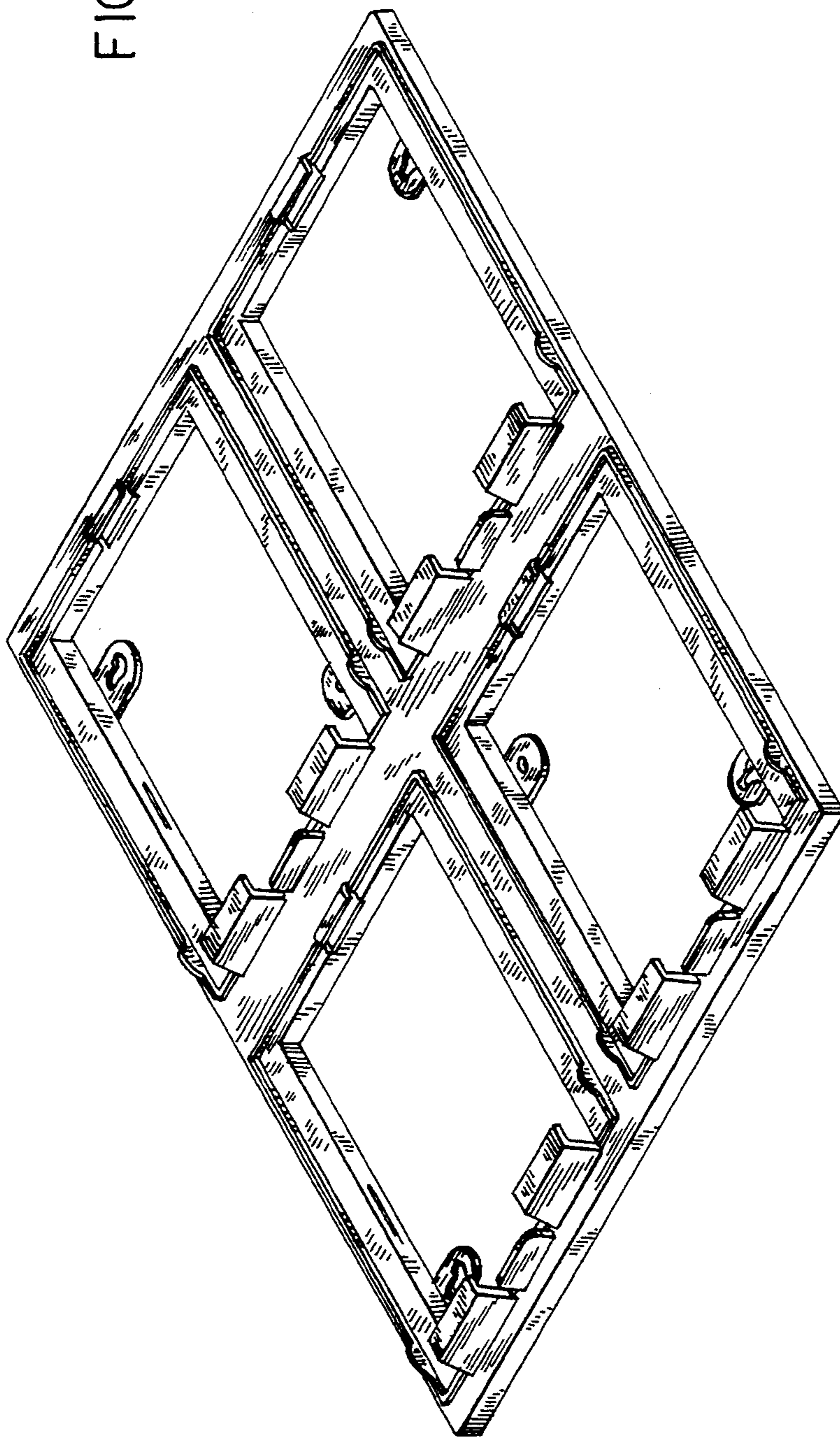


FIG. 4

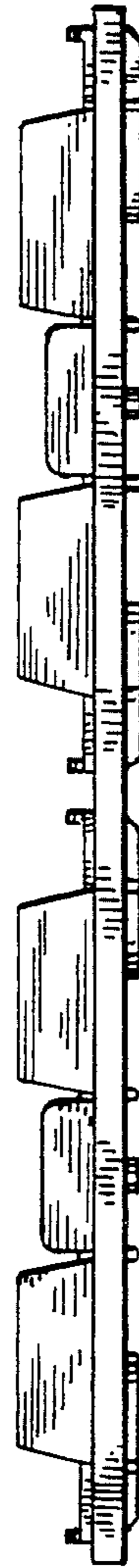


FIG. 3

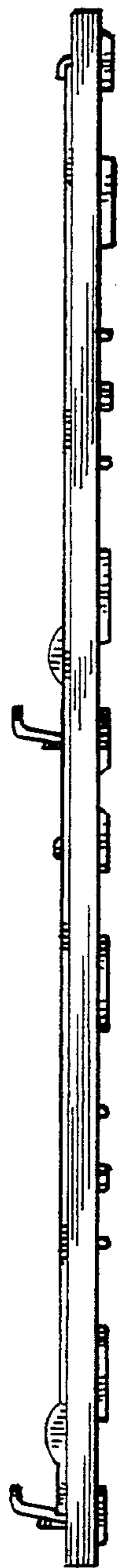


FIG. 2

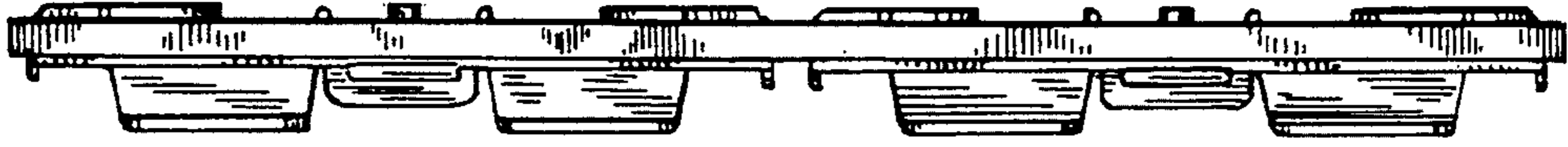
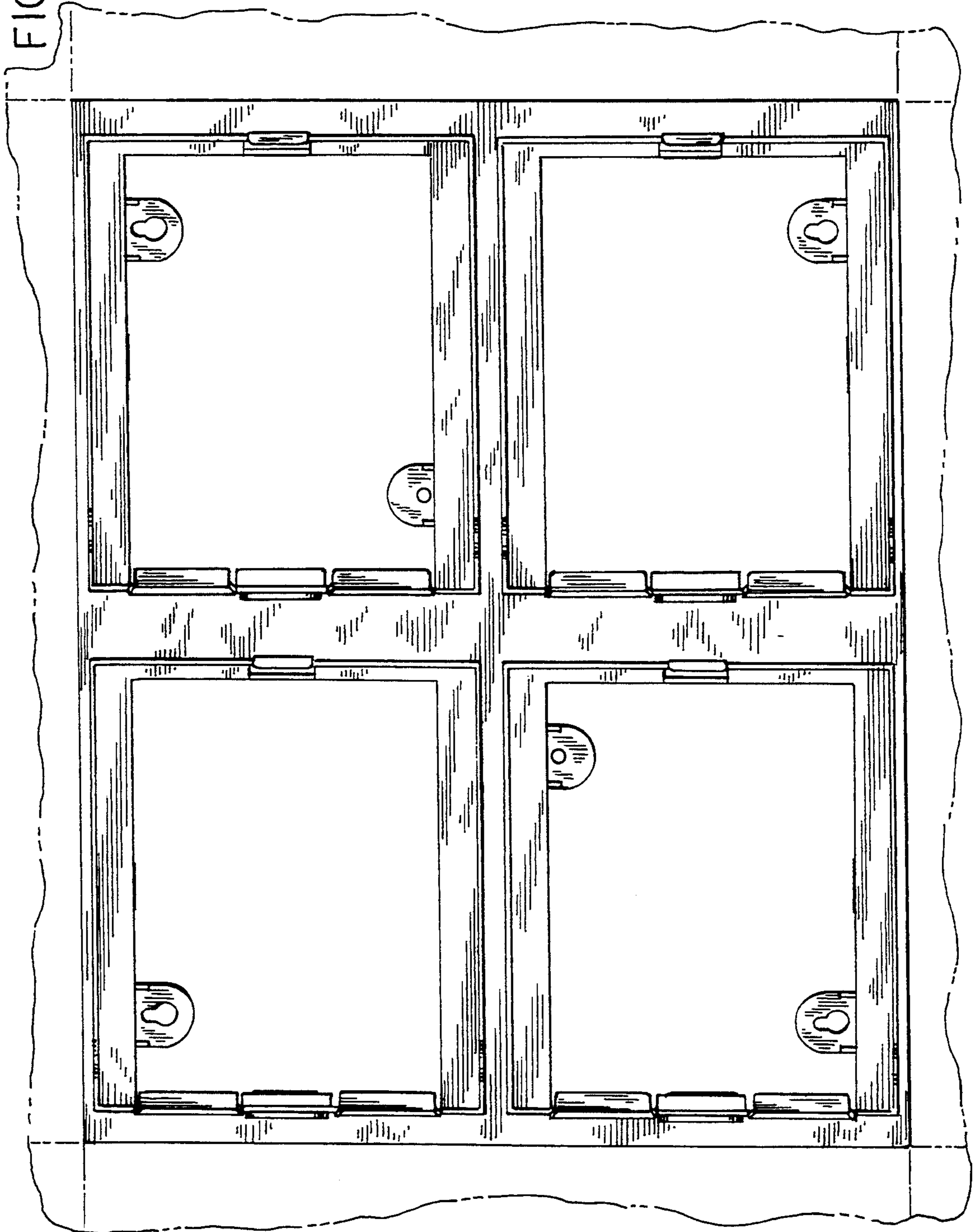


FIG. 5