



US00D353731S

# United States Patent [19]

[11] Patent Number: Des. 353,731

Burgasser et al.

[45] Date of Patent: \*\* Dec. 27, 1994

[54] UPRIGHT SUPPORT COLUMN FOR MODULAR FURNITURE

[75] Inventors: Joan Burgasser, York, Pa.; Lloyd C. Mollenkopf, Apple Valley; Larry M. Jilk, Farmington, both of Minn.

[73] Assignee: Rosemount Office Systems, Inc., Lakeville, Minn.

[\*\*] Term: 14 Years

[21] Appl. No.: 12,550

[22] Filed: Sep. 3, 1993

[52] U.S. Cl. .... D6/495; D6/332; D6/492

[58] Field of Search ..... D6/329, 491-494, D6/332, 495, 499; 108/110, 50, 60; 160/135, 351; 52/36.1, 79.12, 239

[56] References Cited

U.S. PATENT DOCUMENTS

D. 296,619	7/1988	Charman	.....	D6/332
4,433,630	2/1984	Laborie	.....	108/50
4,545,168	10/1985	Dalton, Jr.	.....	52/239 X
4,914,873	4/1990	Newhouse	.....	52/36
4,962,805	10/1990	Allen	.....	160/135
5,038,539	8/1991	Kelley et al.	.....	52/239
5,083,512	1/1992	Newhouse et al.	.....	108/50
5,285,733	2/1994	Waibel	.....	108/50 X
5,287,666	2/1994	Francaroli et al.	.....	52/239

OTHER PUBLICATIONS

The Unicell Flexible Laboratory Furniture System brochure; publication date-1989.  
 Allsteel-Syntrax II brochure; publication date unknown.  
 Lear Siegler Inc., Burroughs Division, Sigma 2000 brochure; publication date-1984.  
 System One Cube Desks brochure, Haskell of Pittsburgh, Inc.; publication date-unknown.  
 Atlantic Furniture Systems brochure; publication date-unknown.

Marvel Advanced Office Furniture brochure; publication date-1989.

Hayworth, Inc. brochure-RACE System; publication date-1990.

L.A.Z.BOY Revisions brochure-publication date-unknown.

Krueger WorkZone brochure-publication date-unknown.

Steelcase Context brochure-publication date-1989.

LEGS by SMED brochure-publication date-unknown.

Primary Examiner—Janice E. Seeger

Attorney, Agent, or Firm—Westman, Champlin & Kelly

[57] CLAIM

The ornamental design for an upright support column for modular furniture, as shown and described.

DESCRIPTION

FIG. 1 is a side elevational view of a upright support column for modular furniture embodying our new design;

FIG. 2 is an end elevational view thereof;

FIG. 3 is a side elevational view thereof of the opposite side from FIG. 1;

FIG. 4 is an end elevational view thereof of an end opposite from that of FIG. 2;

FIG. 5 is a top plan view thereof;

FIG. 6 is a bottom plan view thereof;

FIG. 7 is a sectional view thereof taken as on line 7—7 in FIG. 3;

FIG. 8 is a side elevational view of an upright superstructure for office desk components made according to a second embodiment of our invention;

FIG. 9 is an end elevational view thereof;

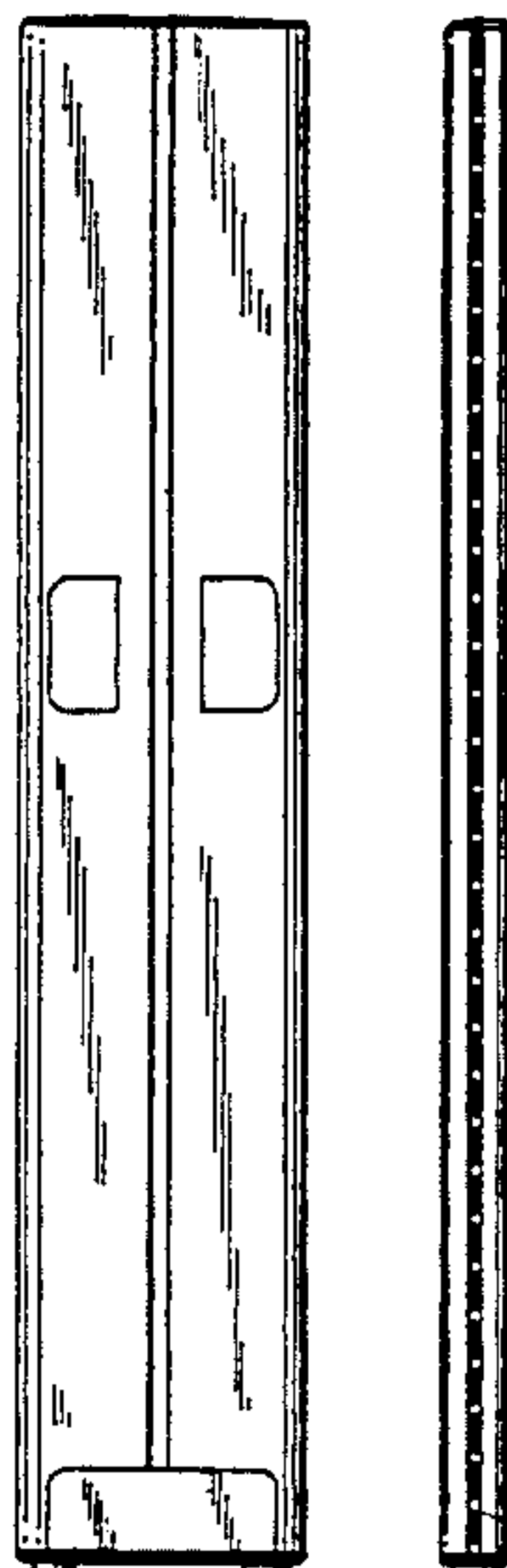
FIG. 10 is a side elevational view thereof taken from a side opposite from FIG. 8;

FIG. 11 is an end elevational view thereof showing an end opposite that shown in FIG. 9;

FIG. 12 is a top plan view thereof;

FIG. 13 is a bottom plan view thereof; and,

FIG. 14 is a sectional view taken as on line 14—14 in FIG. 10.



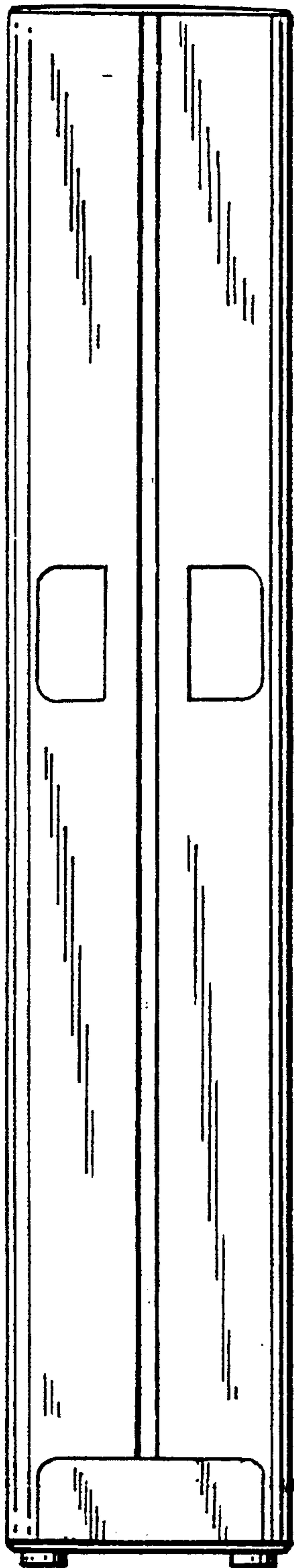


Fig. 1



Fig. 2

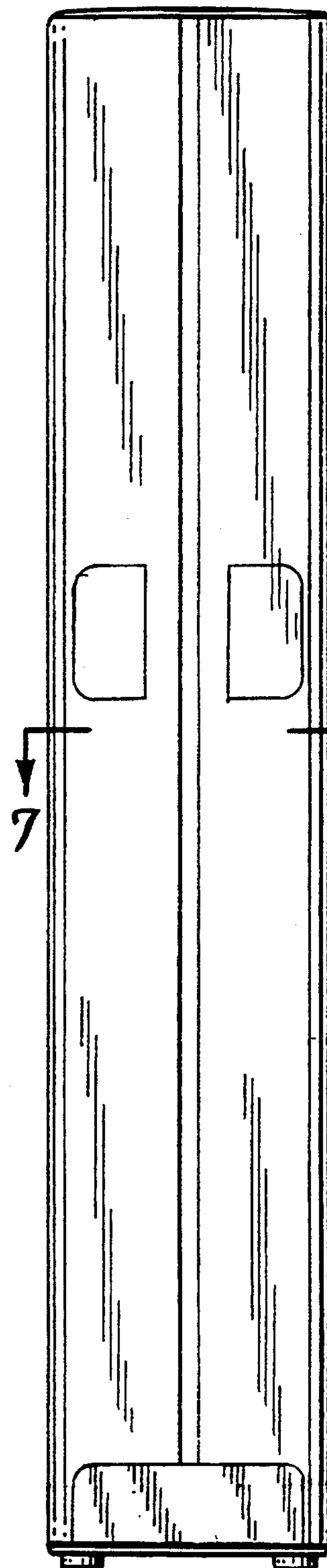


Fig. 3



Fig. 4

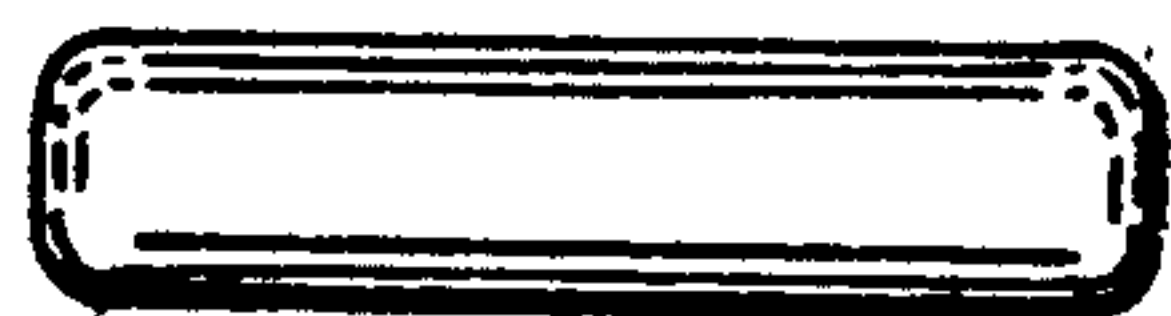


Fig. 5

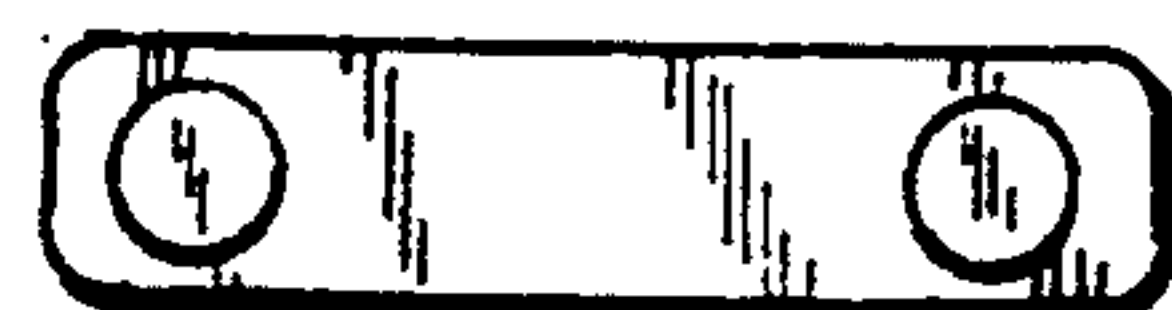
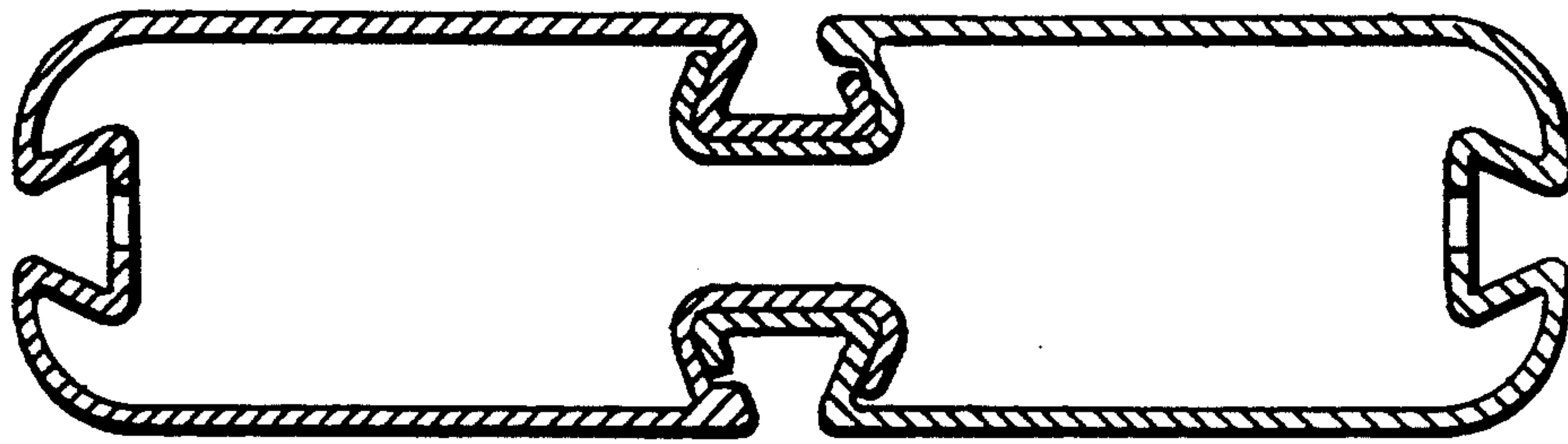
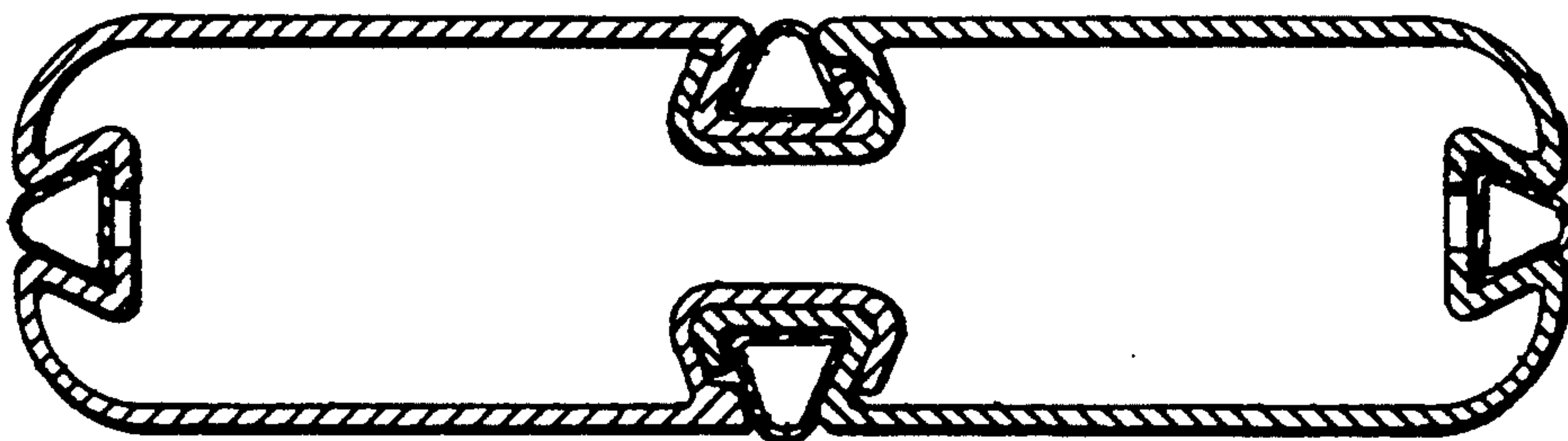


Fig. 6



*Fig. 7*



*Fig. 14*



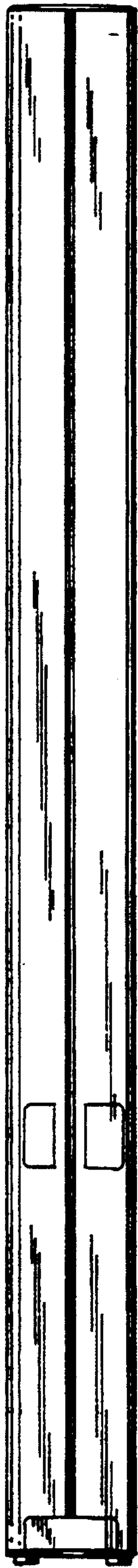


Fig. 8



Fig. 9

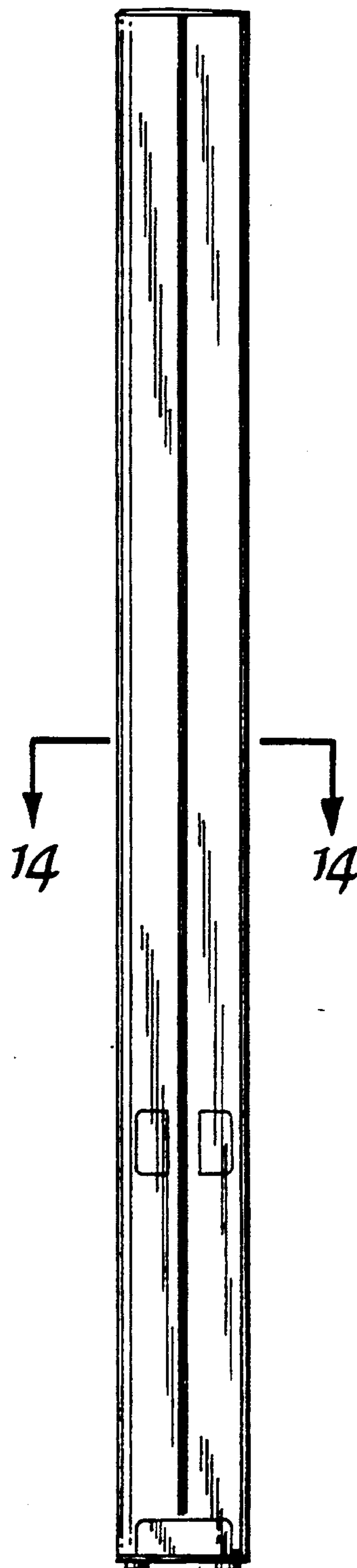


Fig. 10



Fig. 11



Fig. 12



Fig. 13