



US00D353730S

# United States Patent [19]

[11] Patent Number: Des. 353,730

Klein

[45] Date of Patent: \*\* Dec. 27, 1994

[54] TABLE

[75] Inventor: **Richard S. Klein**, Hollywood, Calif.

[73] Assignee: **Cal-Style Furniture Mfg. Co.**,  
Compton, Calif.

[\*\*] Term: **14 Years**

[21] Appl. No.: **7,311**

[22] Filed: **Apr. 19, 1993**

[52] U.S. Cl. .... **D6/487; D6/480**

[58] Field of Search ..... **D6/480-489,**  
**D6/495, 498, 499, 451; 108/153, 156, 161;**  
**248/188, 188.1, 188.7, 188.8**

[56] **References Cited**

### U.S. PATENT DOCUMENTS

- D. 179,301 11/1956 Jones et al. .... D6/480
- D. 343,972 2/1994 Daver et al. .... D6/480
- D. 344,865 3/1994 Ferguson ..... D6/487 X

### OTHER PUBLICATIONS

La Barge-p. 07A, #4318 at top.  
Salterini-p. 46, #59 left and center.  
Salterini- ©1948, p. 18, #501.  
La Barge-p. 113A, #4400 at lower left.

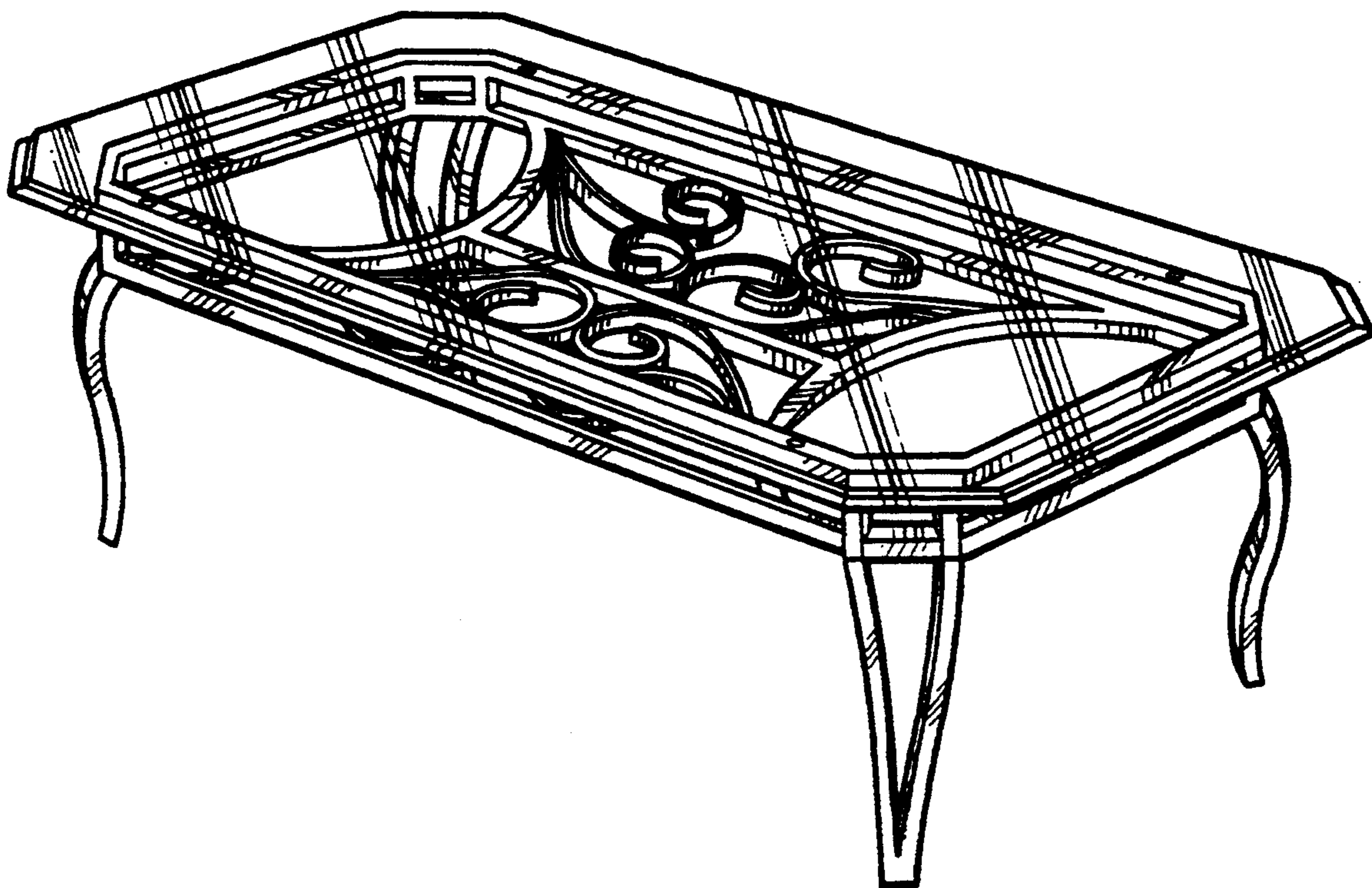
*Primary Examiner*—Janice E. Seeger  
*Attorney, Agent, or Firm*—Edgar A. Zarins; Malcolm L. Sutherland

### [57] CLAIM

The ornamental design for a table, as shown and described.

### DESCRIPTION

FIG. 1 is a perspective view of a table showing my new design;  
FIG. 2 is an end view thereof, the opposite end being a mirror image of the end shown;  
FIG. 3 is a top plan view thereof; and,  
FIG. 4 is a side view thereof, the opposite side being a mirror image of the side shown.



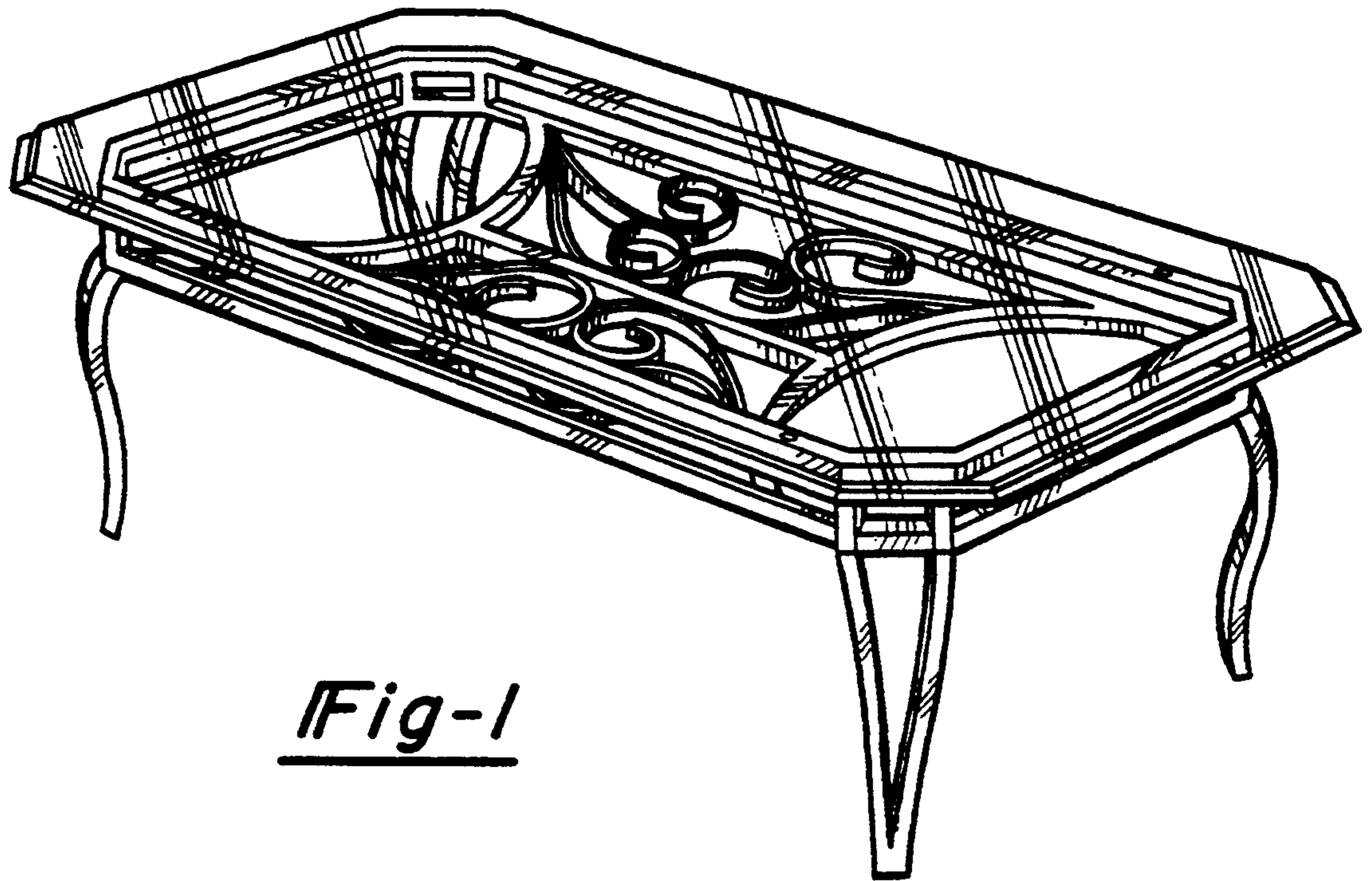


Fig-1

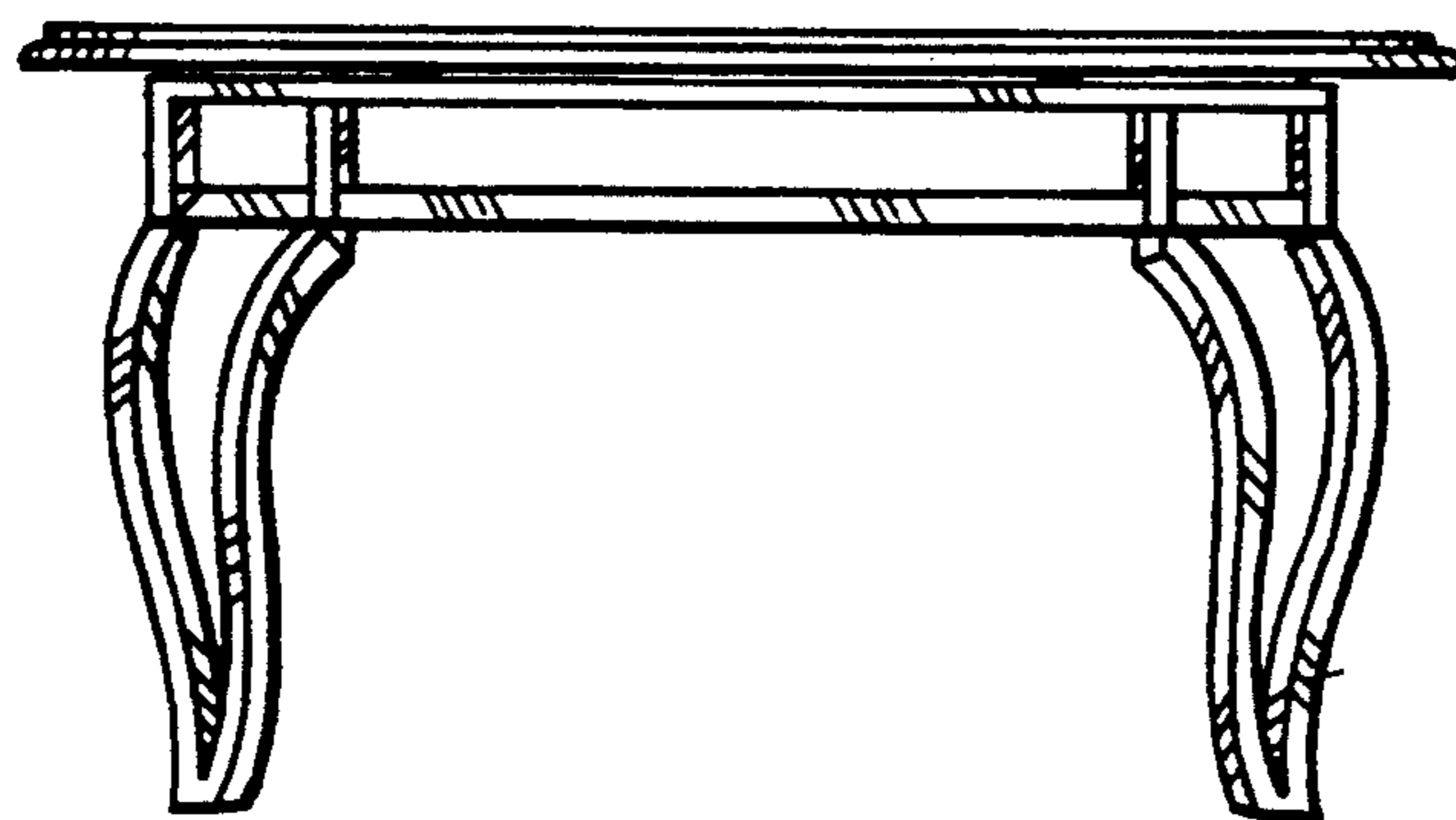


Fig-2

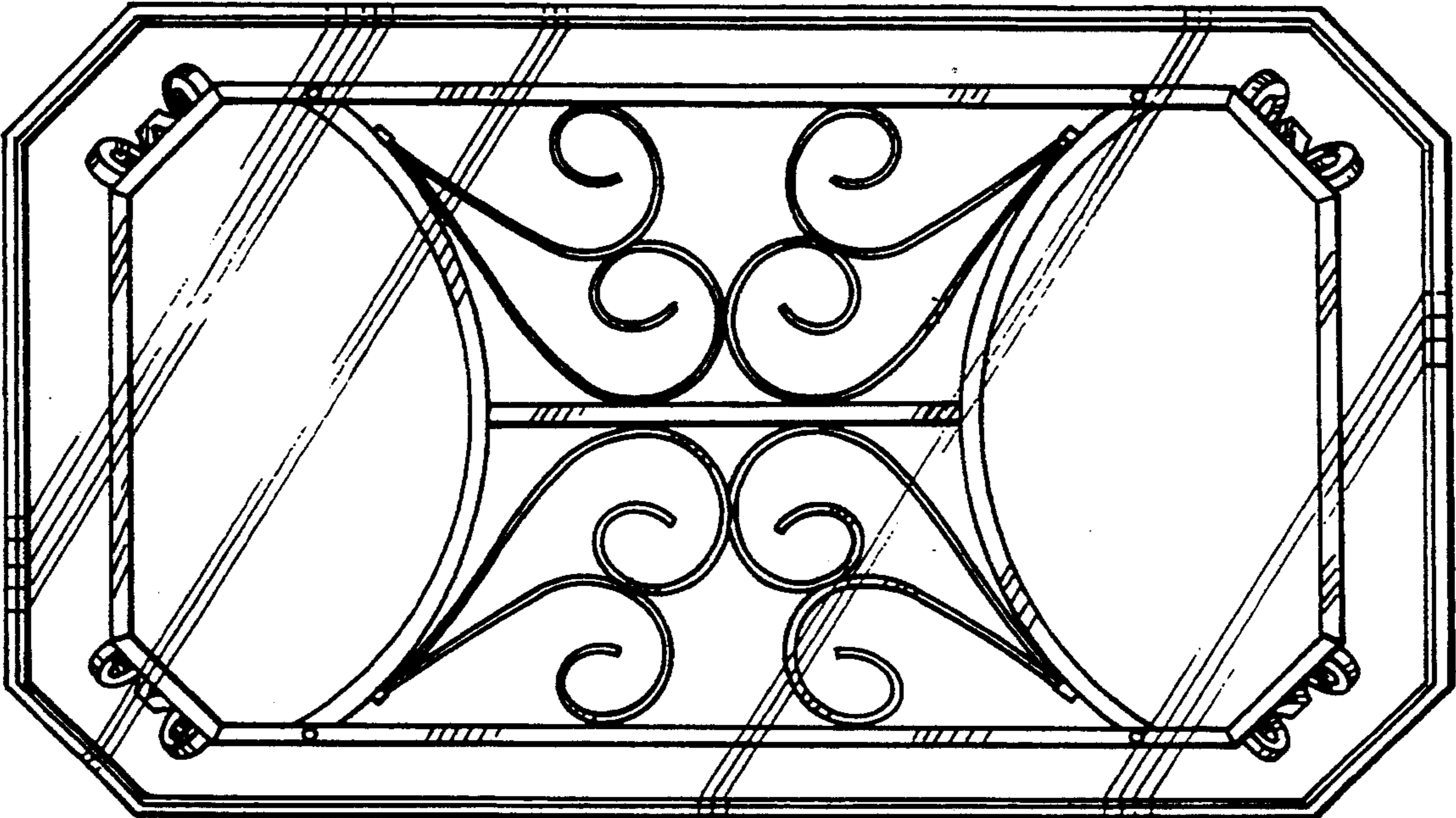


Fig-3

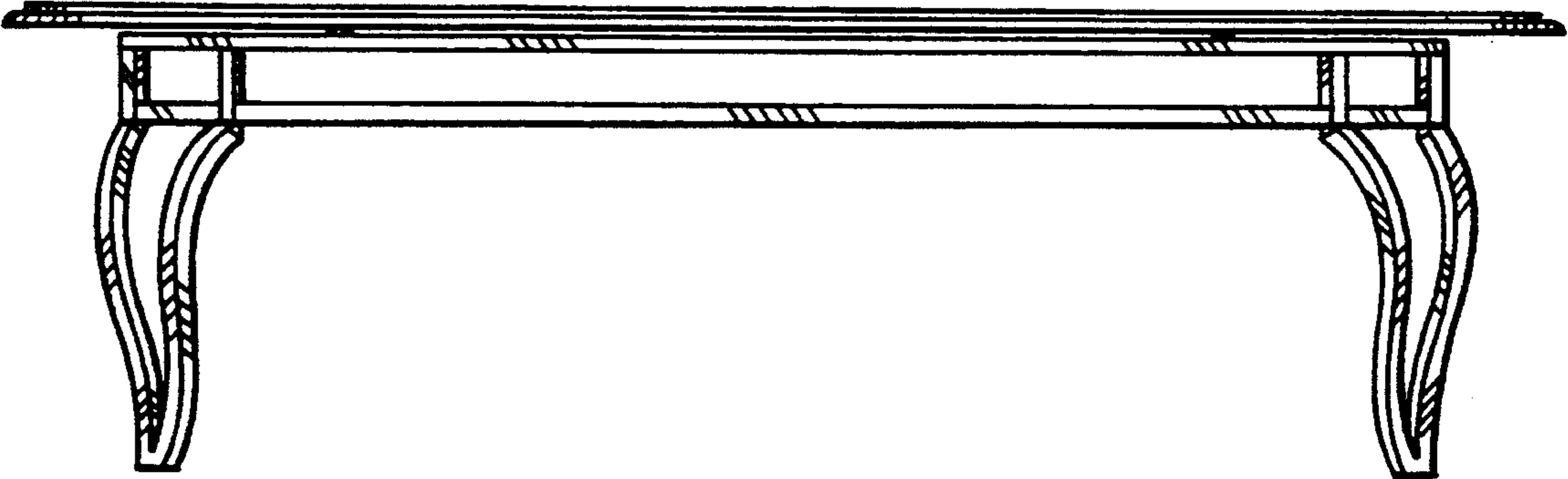


Fig-4