



US00D353727S

United States Patent [19]
Sun

[11] **Patent Number: Des. 353,727**
[45] **Date of Patent: ** Dec. 27, 1994**

[54] **TOY CONTAINER**

[75] **Inventor: Jin R. Sun, Taipei Hsien, Taiwan, Prov. of China**

[73] **Assignee: Youfu Kou Chao Industrial Co., Ltd., Taipei Hsien, Taiwan, Prov. of China**

[**] **Term: 14 Years**

[21] **Appl. No.: 15,042**

[22] **Filed: Nov. 3, 1993**

[52] **U.S. Cl. D6/440; D34/5; D34/25; D21/121**

[58] **Field of Search D6/440, 448; D34/5, D34/12, 24, 25, 26; D3/301; D21/121, 59; 297/192, 193; 280/652; 220/908**

[56] **References Cited**

- **U.S. PATENT DOCUMENTS**

D. 295,470 5/1988 Uredat-Neuhoft D6/440
D. 338,923 8/1993 Sun D34/5

Primary Examiner—Kay H. Chin

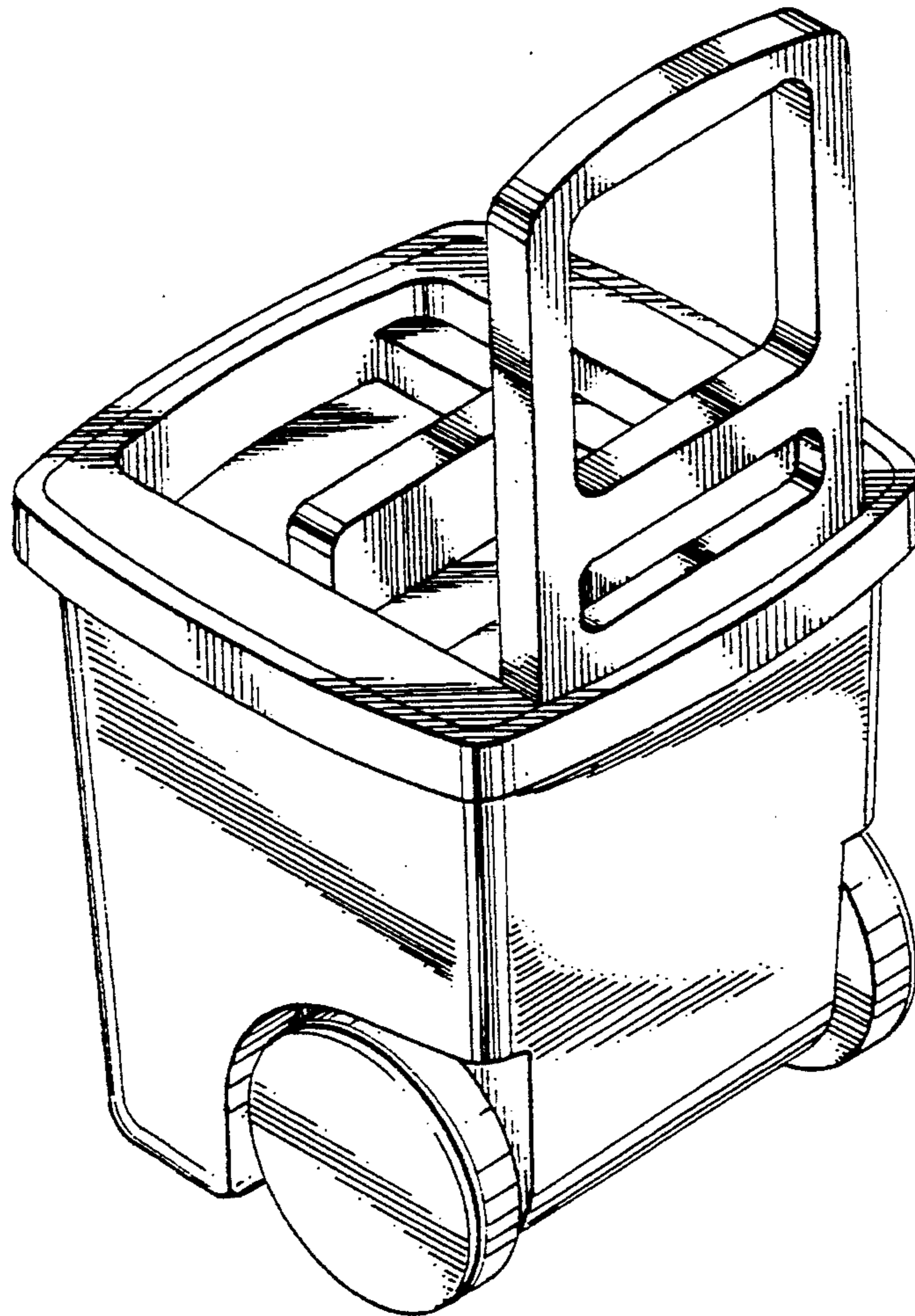
Attorney, Agent, or Firm—Pro-Techtor International

[57] **CLAIM**

The ornamental design for a toy container, as shown and described.

DESCRIPTION

FIG. 1 is a front elevational view of a toy container showing my new design;
FIG. 2 is a rear elevational view thereof;
FIG. 3 is right side elevational view thereof;
FIG. 4 is a left side elevational view thereof;
FIG. 5 is a top plan view thereof;
FIG. 6 is a bottom plan view thereof;
FIG. 7 is a front, left side and top perspective view thereof; and,
FIG. 8 is a perspective view thereof showing the handle folded down to the cover thereof.



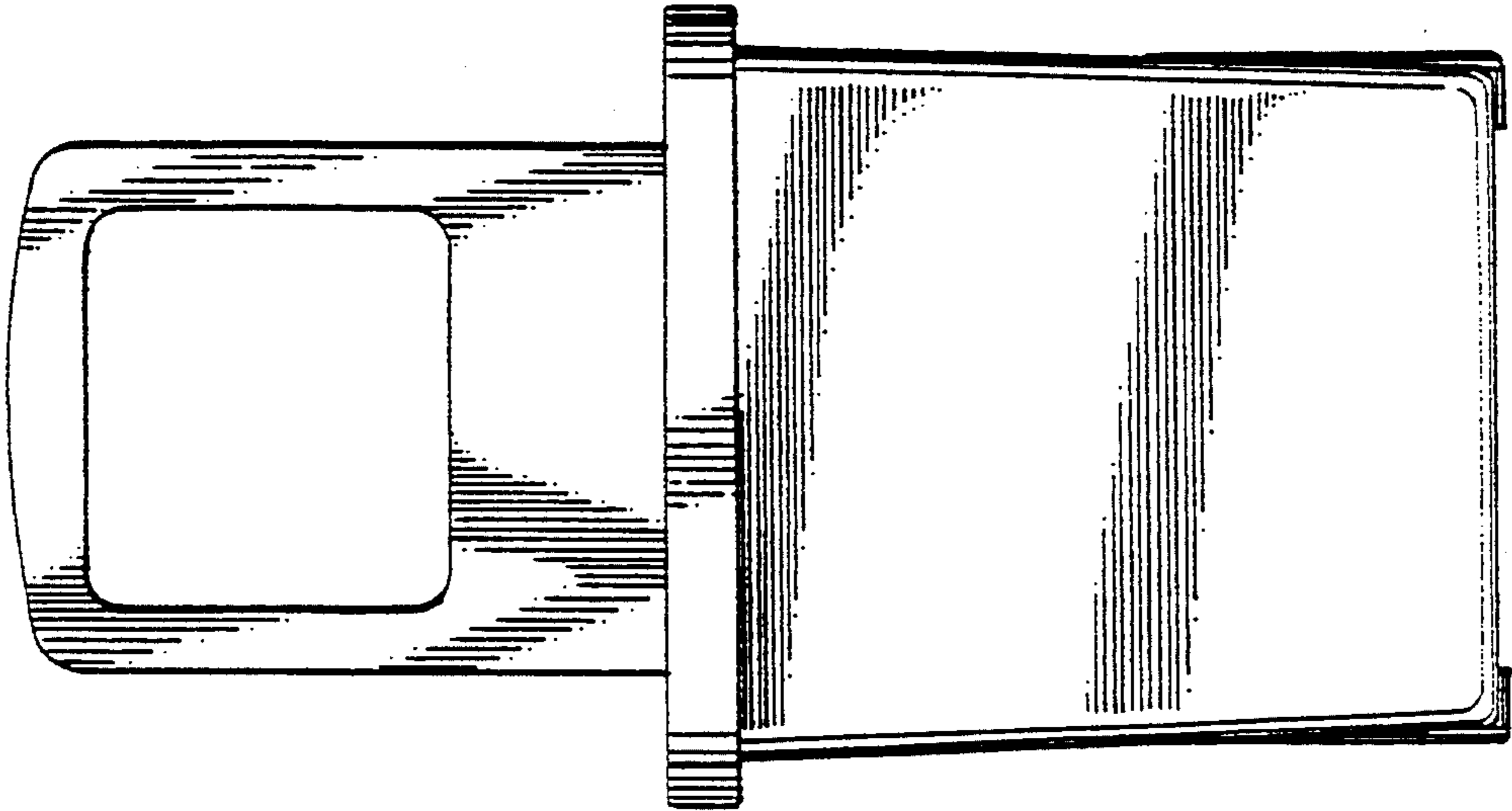


FIG. 2

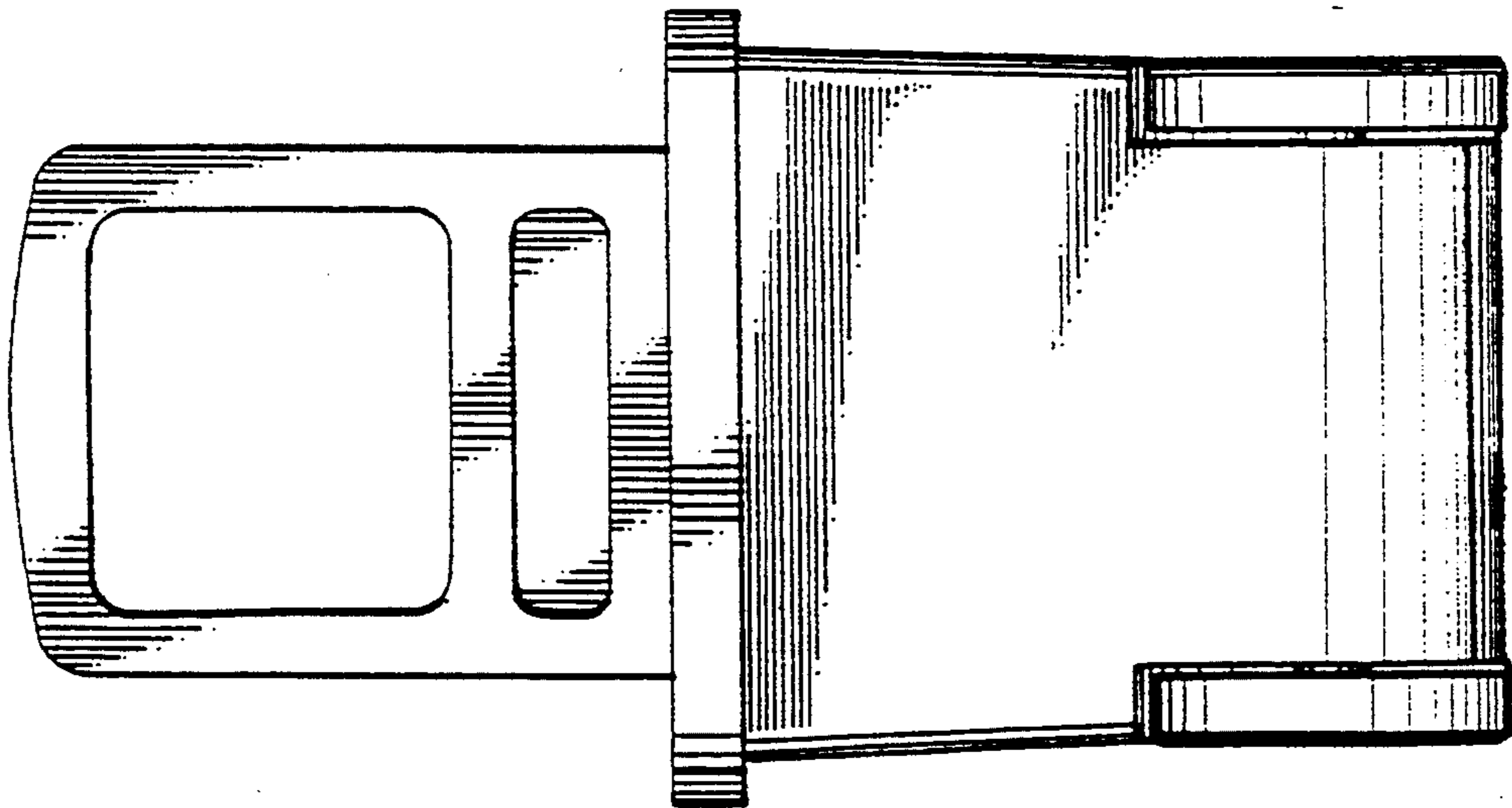


FIG. 1

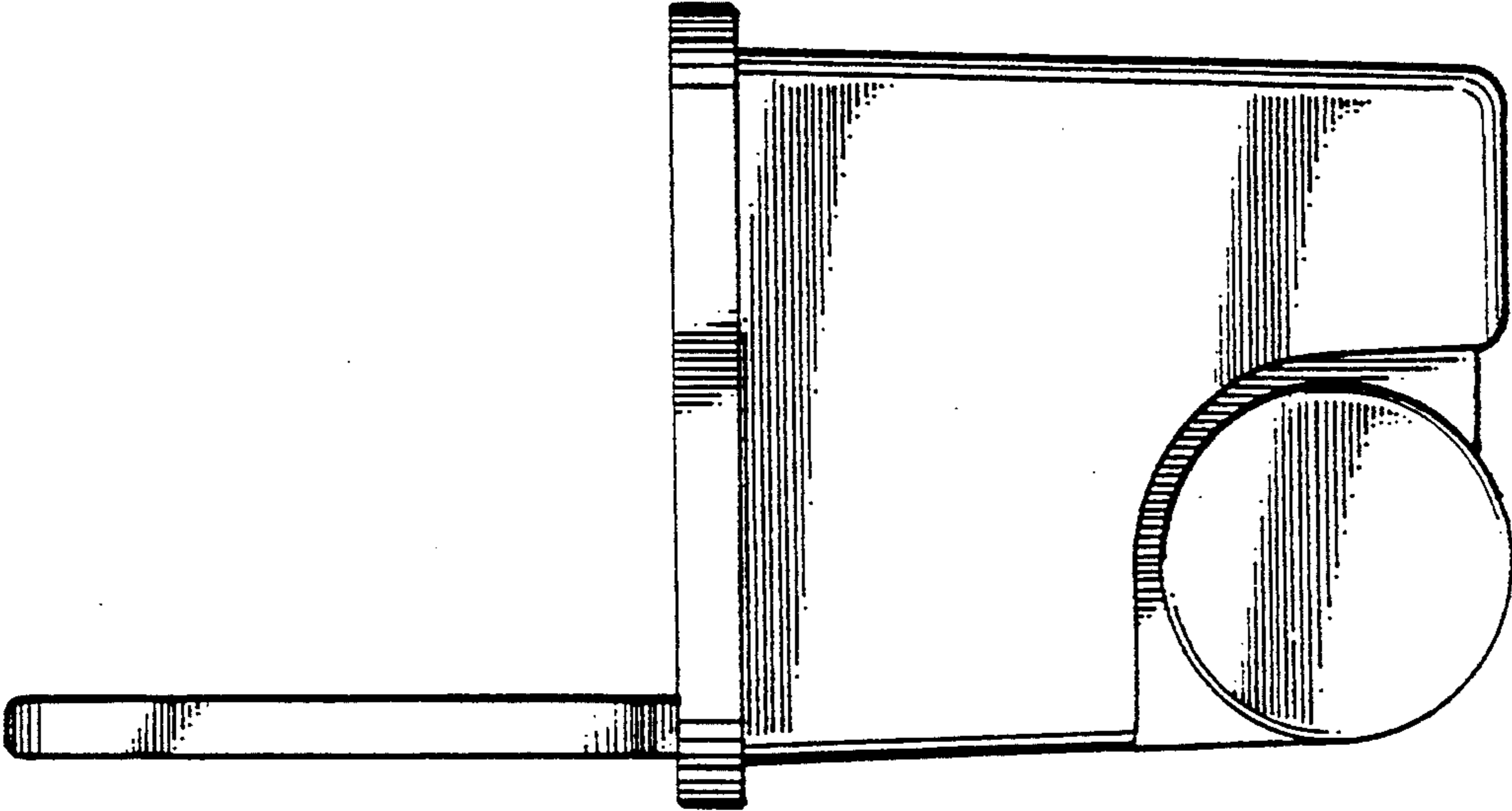


FIG. 4

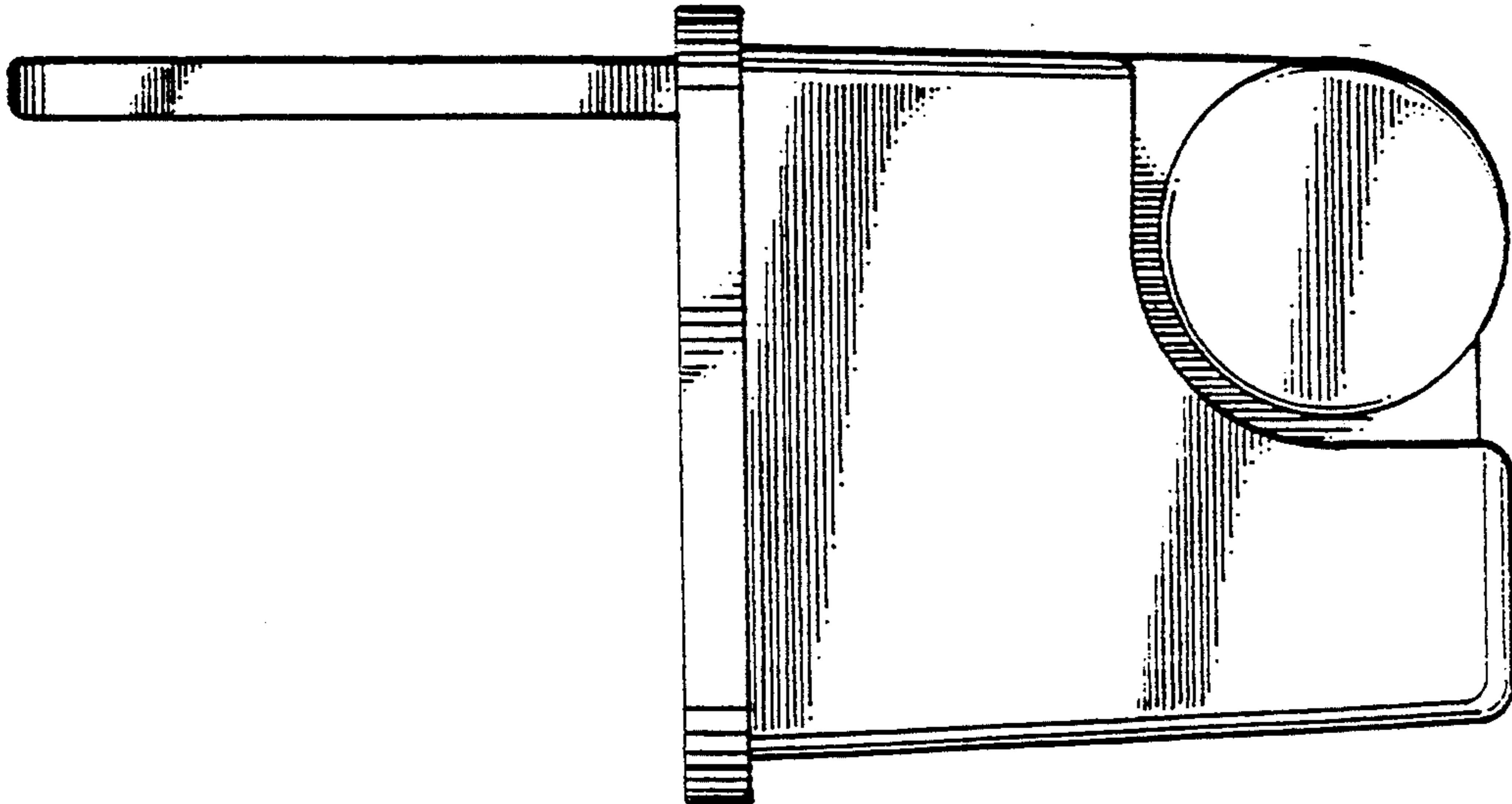


FIG. 3

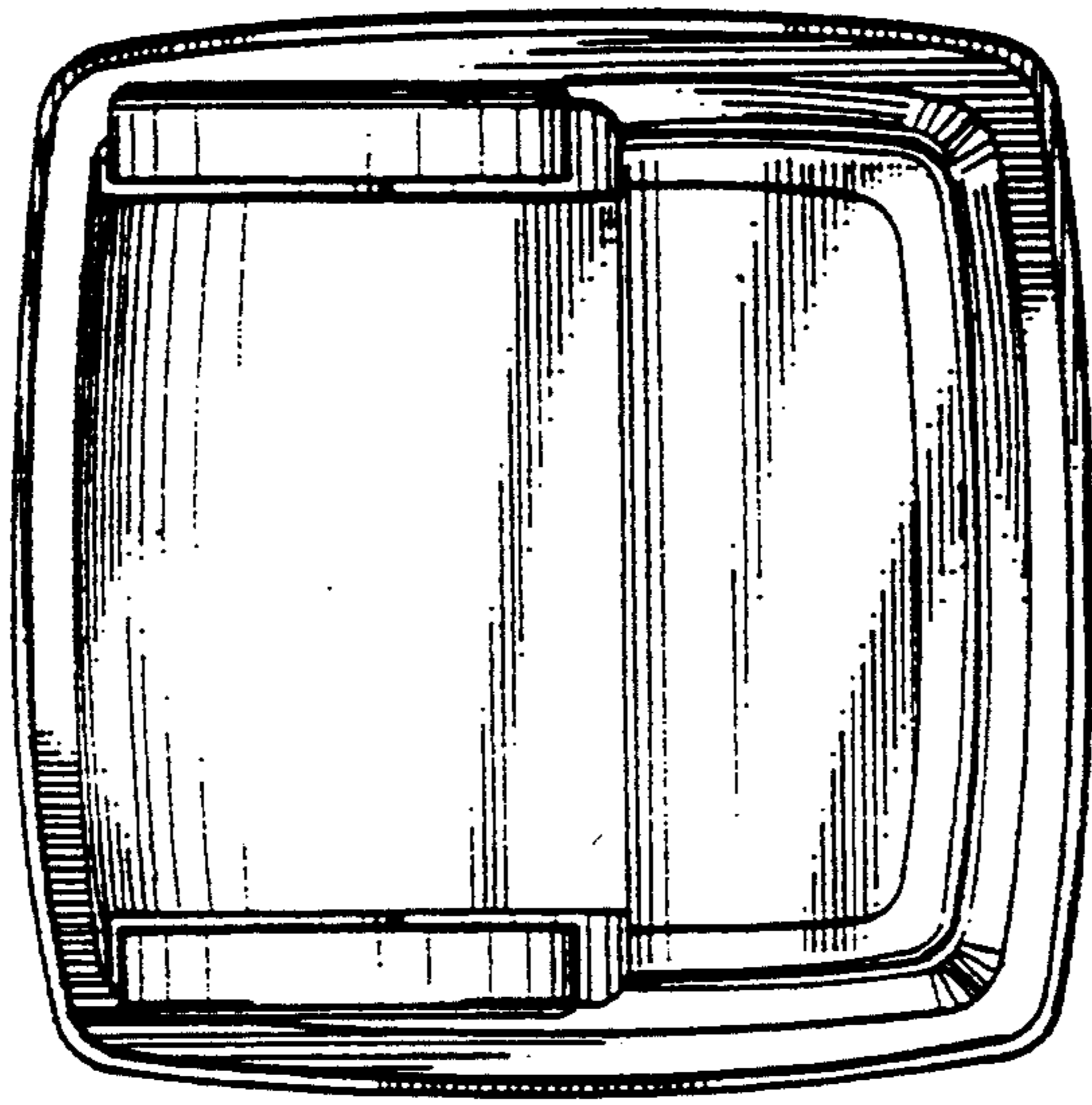


FIG. 6

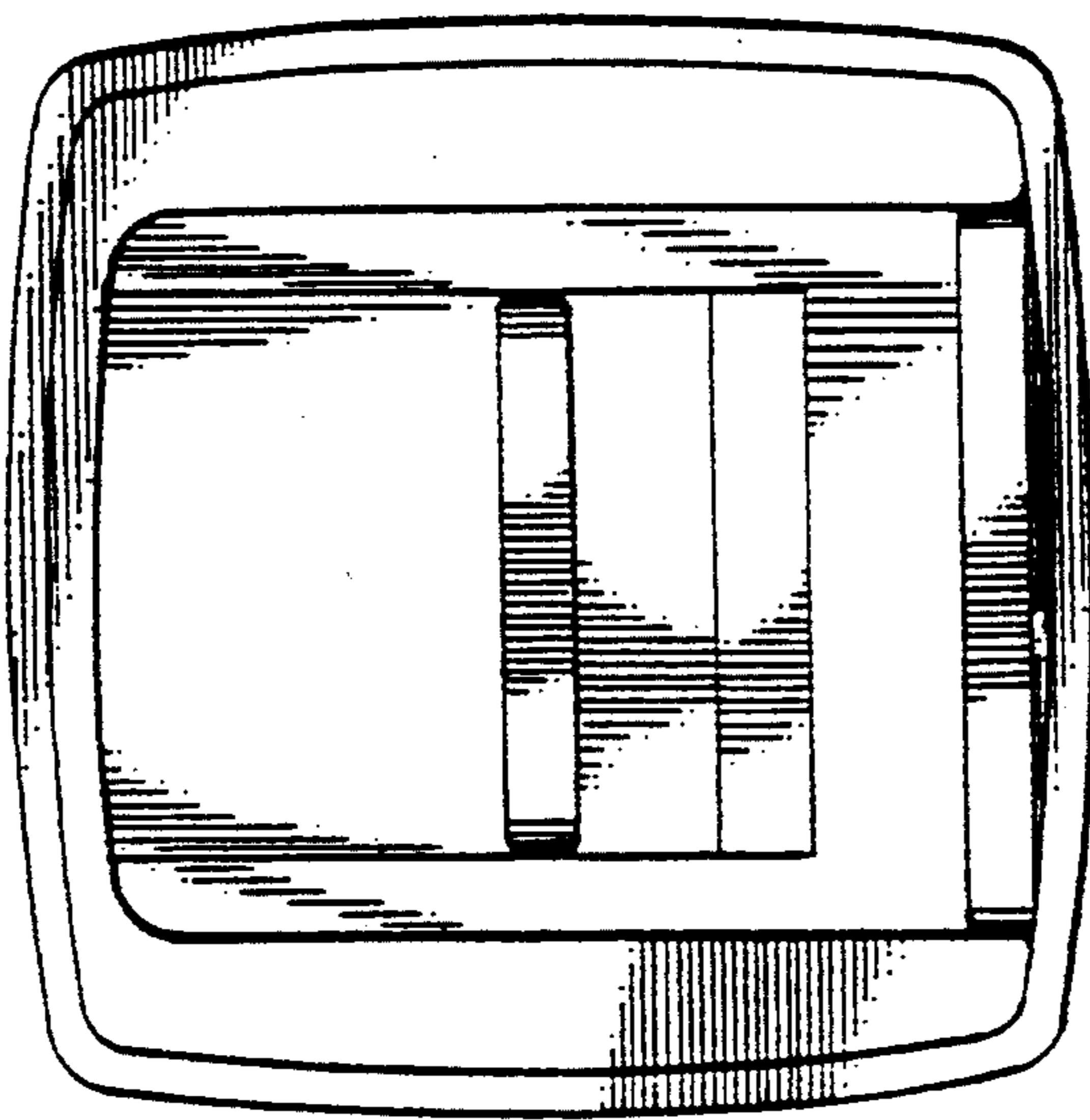


FIG. 5

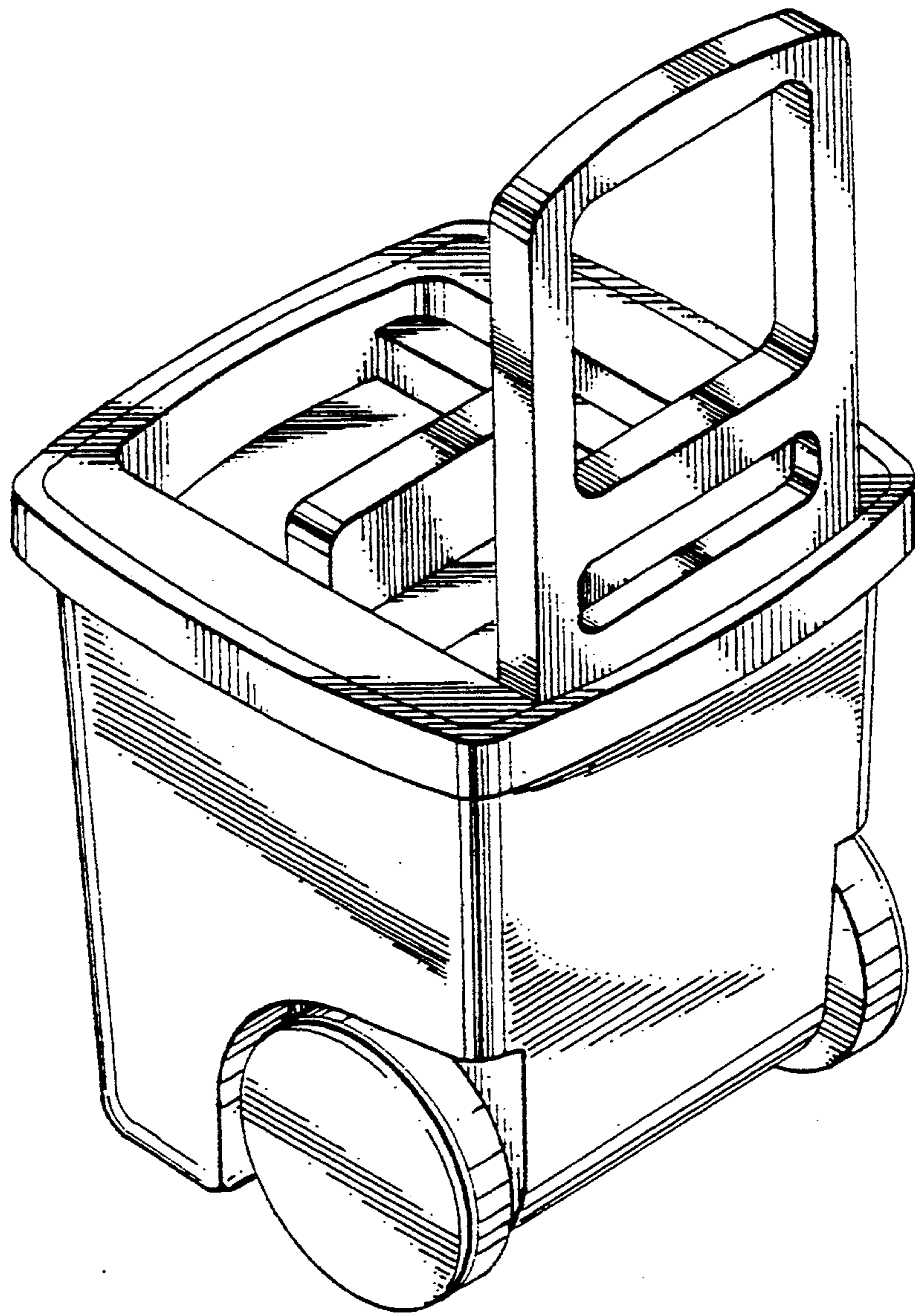


FIG.7

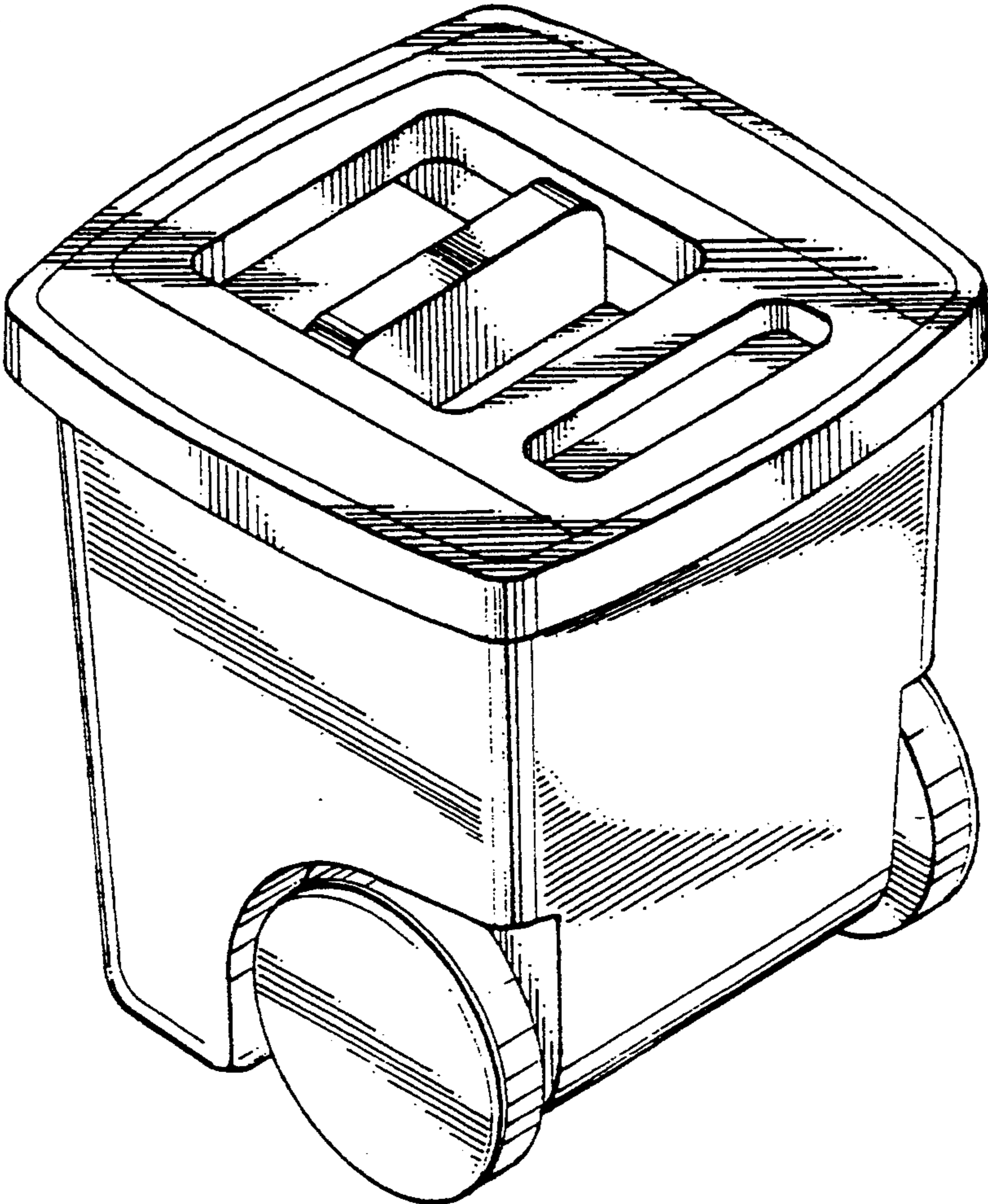


FIG. 8