



US00D353726S

# United States Patent [19]

[11] Patent Number: **Des. 353,726**

Brunner et al.

[45] Date of Patent: **\*\* Dec. 27, 1994**

[54] **CRADLE**

[75] Inventors: **Merlin A. Brunner**, Appleton;  
**Harvey J. Draheim**, Weyauwega,  
both of Wis.

[73] Assignee: **Simmons Juvenile Products  
Company, Inc.**, New London, Wis.

[\*\*] Term: **14 Years**

[21] Appl. No.: **9,071**

[22] Filed: **Jun. 2, 1993**

[52] U.S. Cl. .... **D6/385; D6/395**

[58] Field of Search ..... **D6/382-388,  
D6/390-395, 505-508; 5/93.1, 93.2, 98.1, 98.2,  
98.3, 99.1, 101, 102, 105, 655**

[56] **References Cited**

**U.S. PATENT DOCUMENTS**

D. 334,858	4/1993	Brunner et al. ....	D6/508
135,138	1/1873	McNamara .....	5/102
168,173	9/1875	Nelbach .....	5/105
184,313	11/1876	Woodard .....	5/93.1 X

**FOREIGN PATENT DOCUMENTS**

365379 6/1906 France ..... 5/101

**OTHER PUBLICATIONS**

Baby Lane, p. 14, top right #7045.  
Evans 1987-1988, p. 377 #4 at top center.

*Primary Examiner*—Janice E. Seeger  
*Attorney, Agent, or Firm*—Hoffmann & Baron

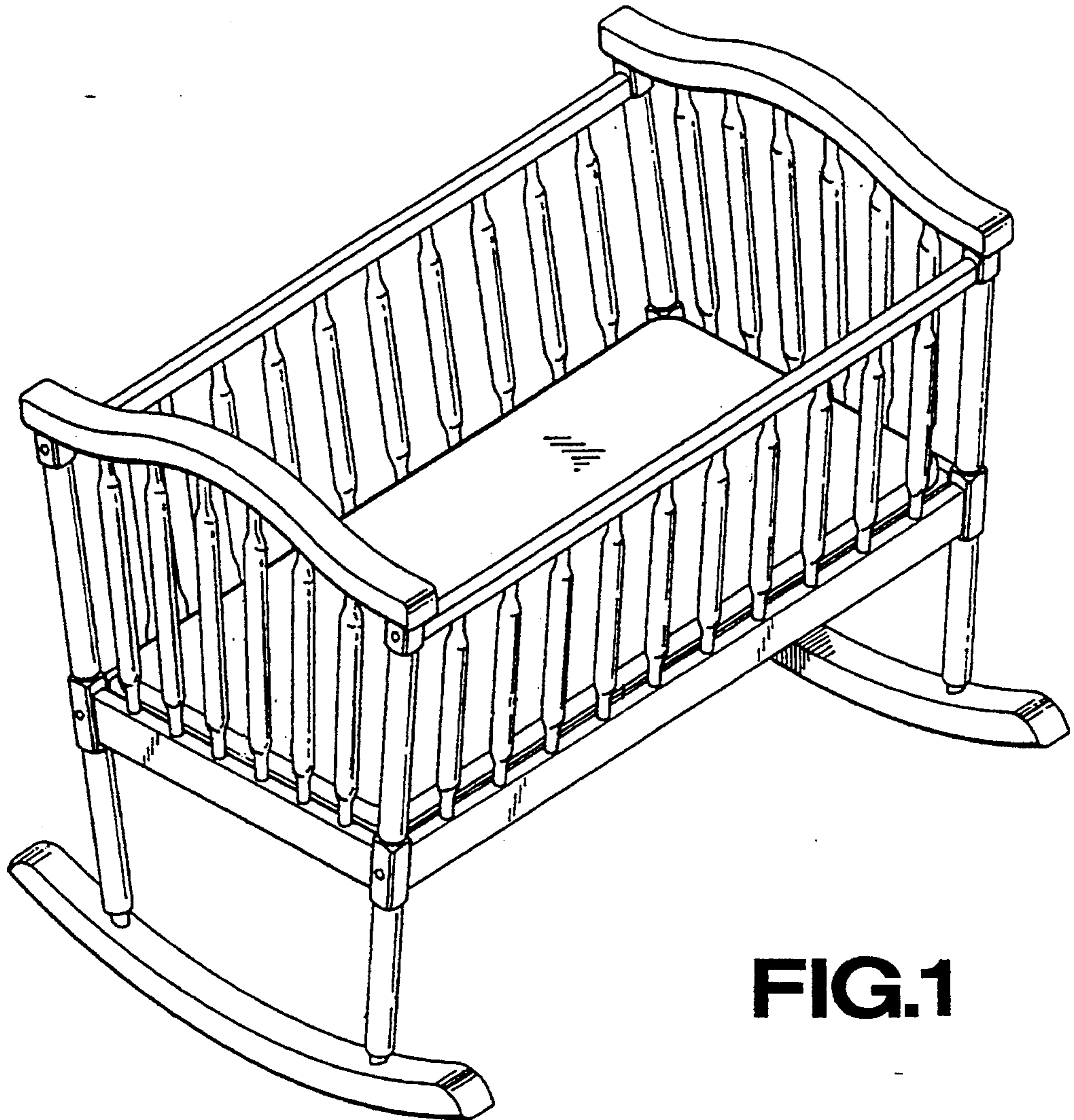
[57] **CLAIM**

The ornamental design of a cradle, as shown and described.

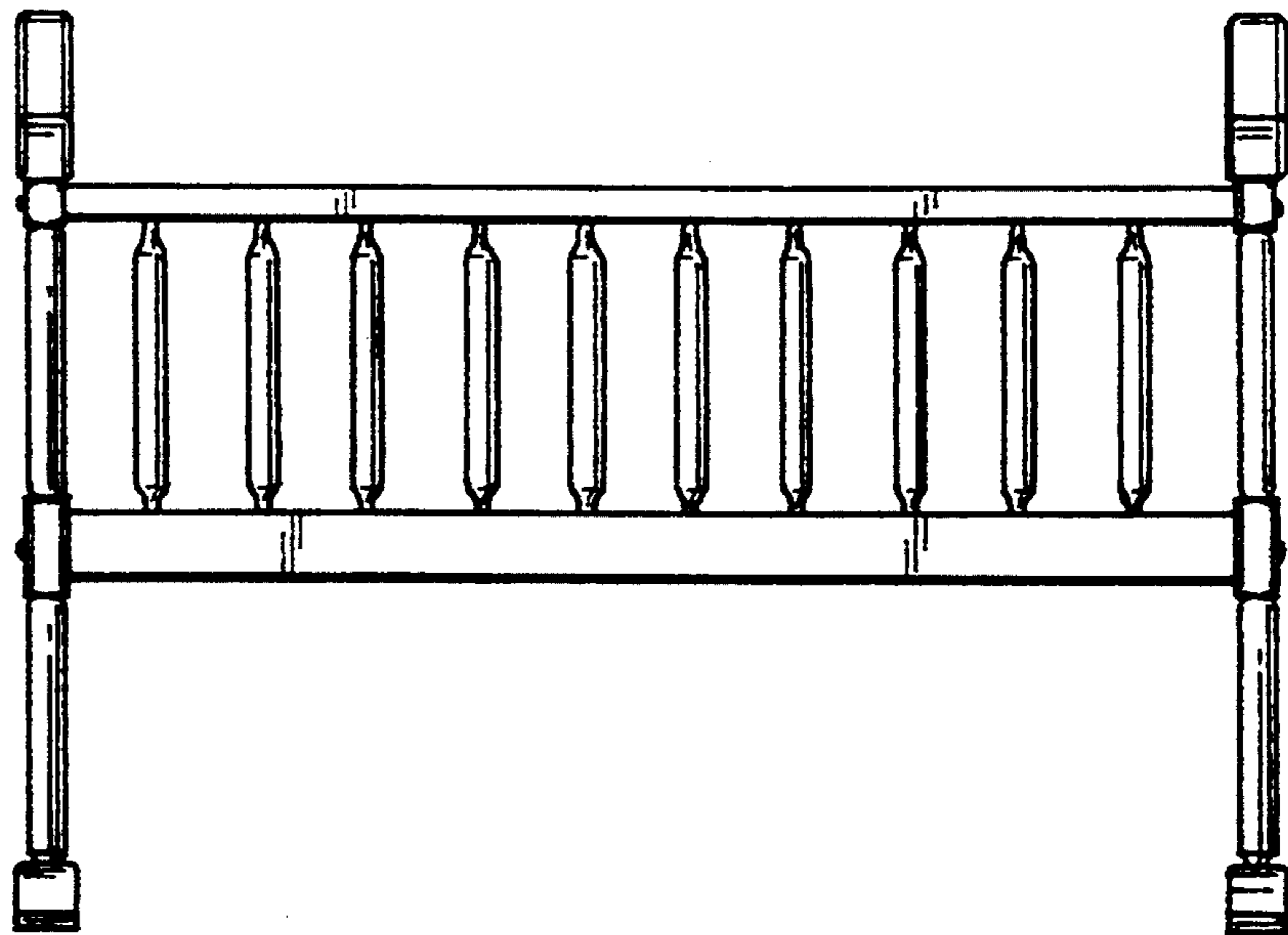
**DESCRIPTION**

FIG. 1 is a top perspective view of a cradle showing our new design;  
FIG. 2 is a side elevation view thereof, the opposite side being a mirror image thereof;  
FIG. 3 is a front elevation view thereof, the opposite side being a mirror image thereof;  
FIG. 4 is a top plan view thereof; and,  
FIG. 5 is a bottom plan view thereof.





**FIG.1**



**FIG.2**

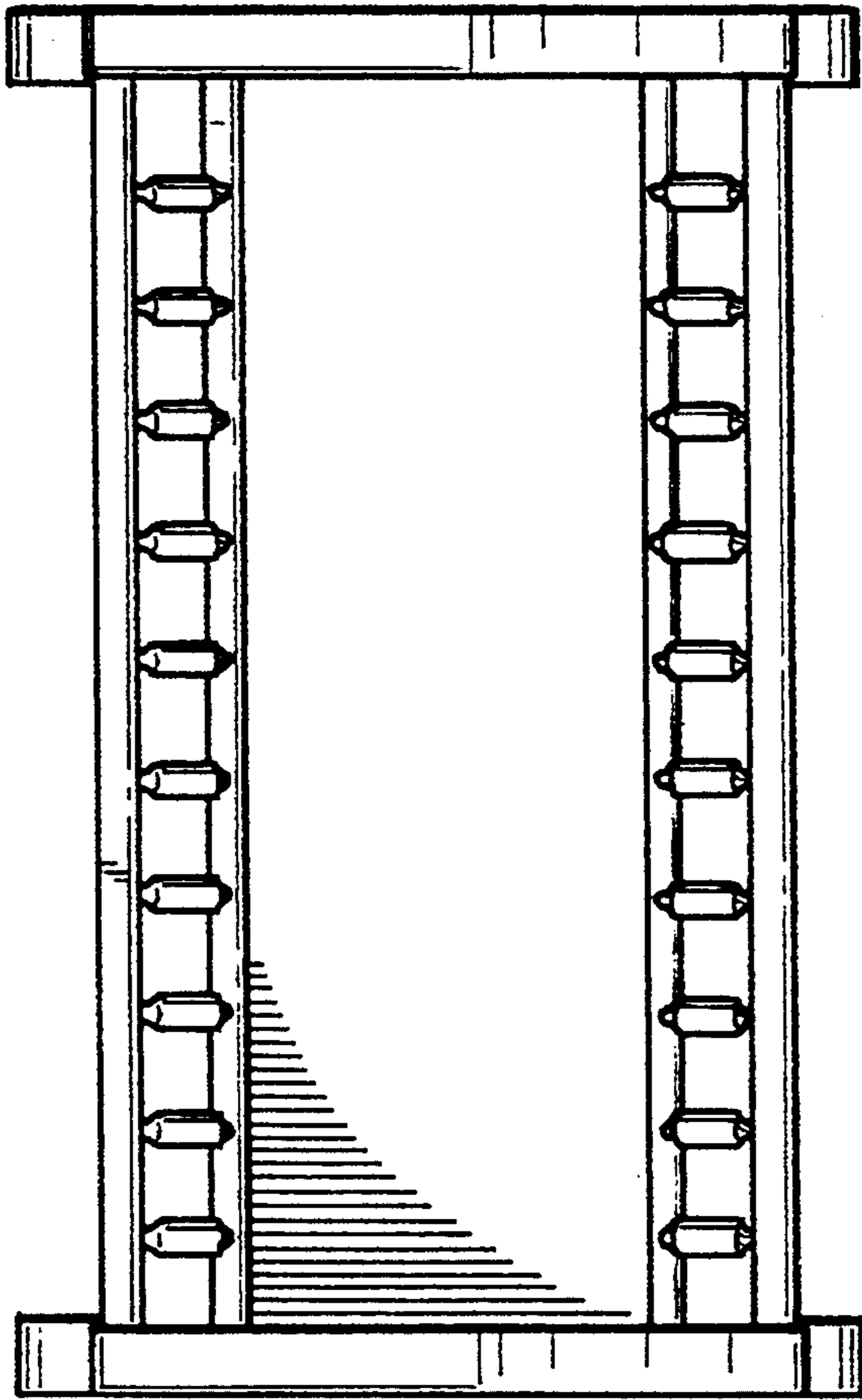


FIG. 4

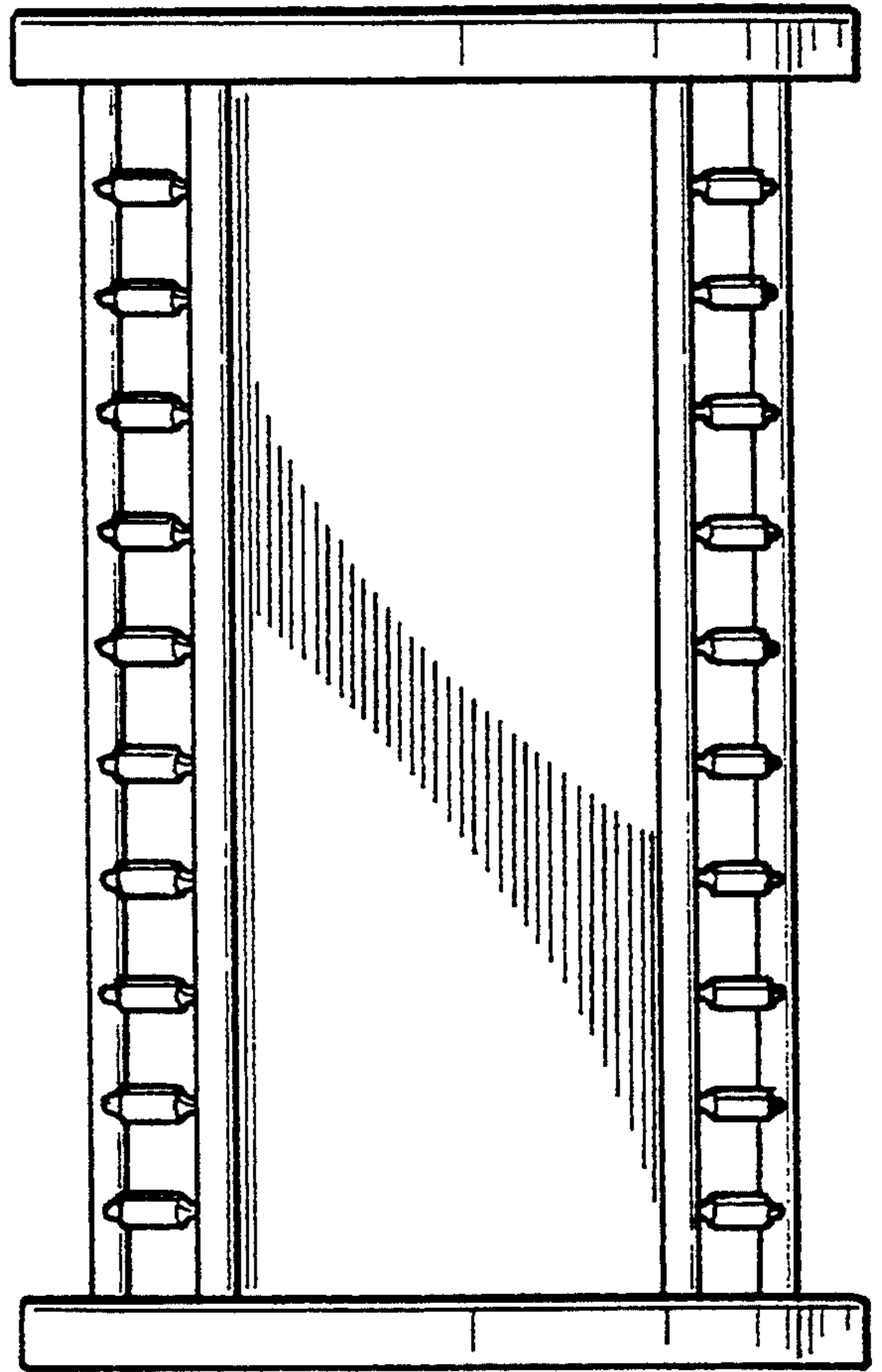


FIG. 5

FIG. 3

