



US00D353725S

United States Patent [19]

[11] Patent Number: **Des. 353,725**

Brunner et al.

[45] Date of Patent: **** Dec. 27, 1994**

[54] **CRADLE**

FOREIGN PATENT DOCUMENTS

[75] Inventors: **Merlin A. Brunner**, Appleton;
Harvey J. Draheim, Weyauwega,
both of Wis.

365379 6/1906 France 5/101

[73] Assignee: **Simmons Juvenile Products
Company, Inc.**, New London, Wis.

OTHER PUBLICATIONS

Baby Line, p. 14, top right #7045.
Evans 1987-1988, p. 377 #4 at top center.

[**] Term: **14 Years**

Primary Examiner—Janice E. Seeger
Attorney, Agent, or Firm—Hoffmann & Baron

[21] Appl. No.: **9,070**

[57] CLAIM

The ornamental design of a cradle, as shown and described.

[22] Filed: **Jun. 2, 1993**

[52] U.S. Cl. **D6/385; D6/395**

[58] Field of Search **D6/382-388,
D6/390-395, 505-508; 5/93.1, 93.2, 98.1, 98.2,
98.3, 99.1, 101, 102, 105, 655**

DESCRIPTION

FIG. 1 is a top perspective view of a cradle showing our new design;
FIG. 2 is a side elevation view thereof, the opposite side being a mirror image thereof;
FIG. 3 is a front elevation view thereof, the opposite side being a mirror image thereof;
FIG. 4 is a top plan view thereof, and,
FIG. 5 is a bottom plan view thereof.

[56] References Cited

U.S. PATENT DOCUMENTS

D. 309,994 8/1990 Brunner et al. D6/508
10,075 6/1877 Minott D6/385
169,767 11/1875 Bergman et al. 5/105



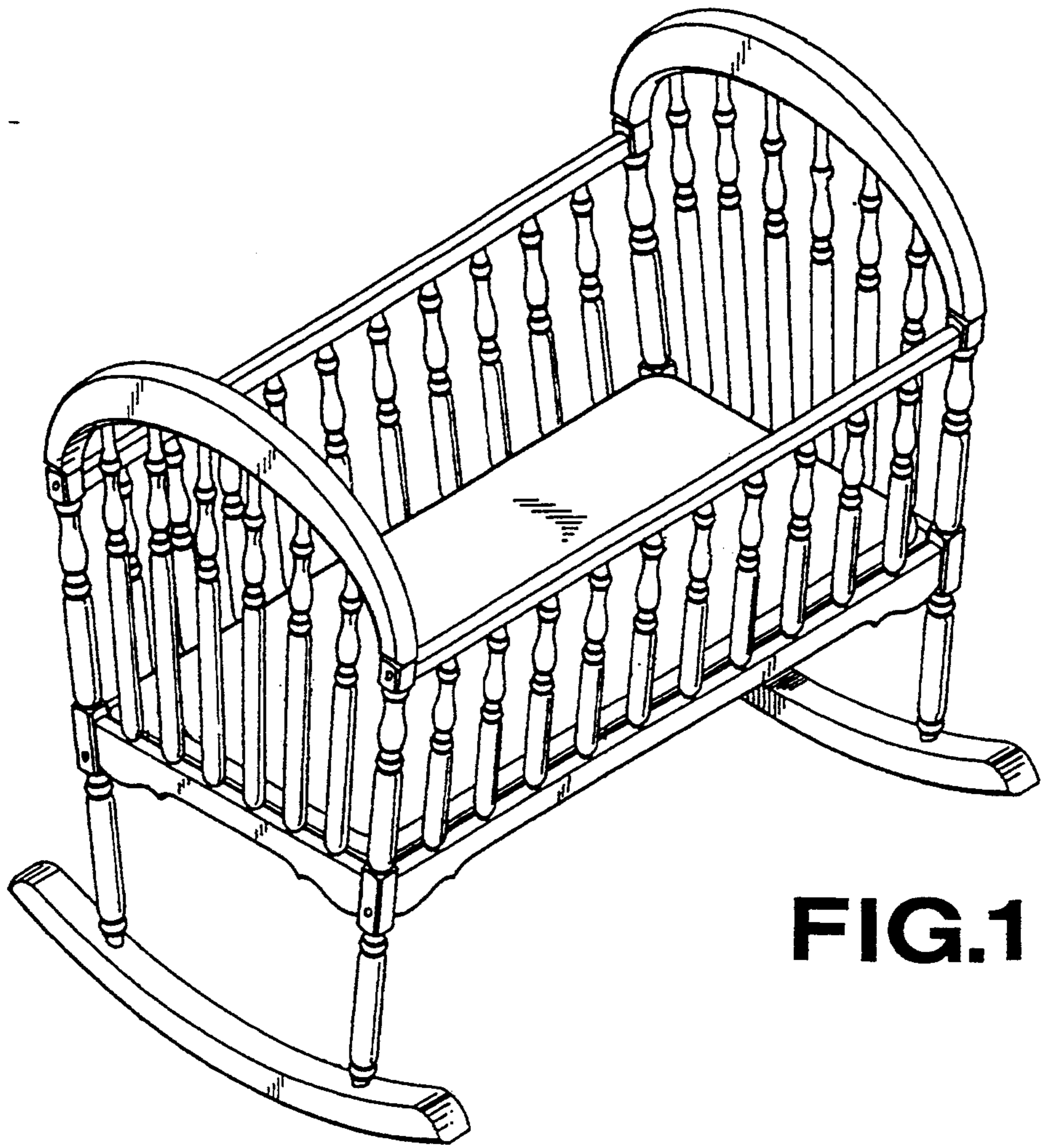


FIG. 1

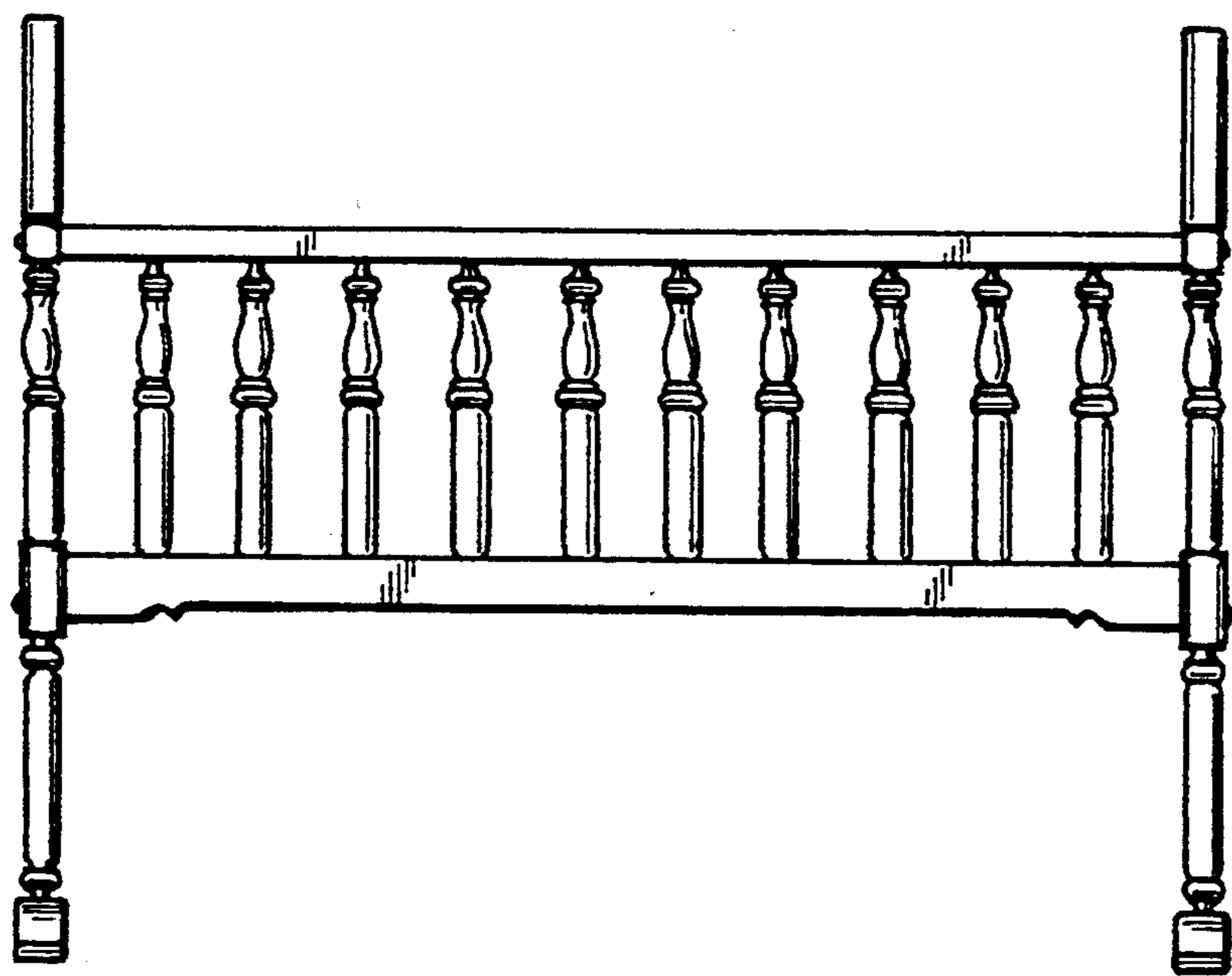


FIG. 2

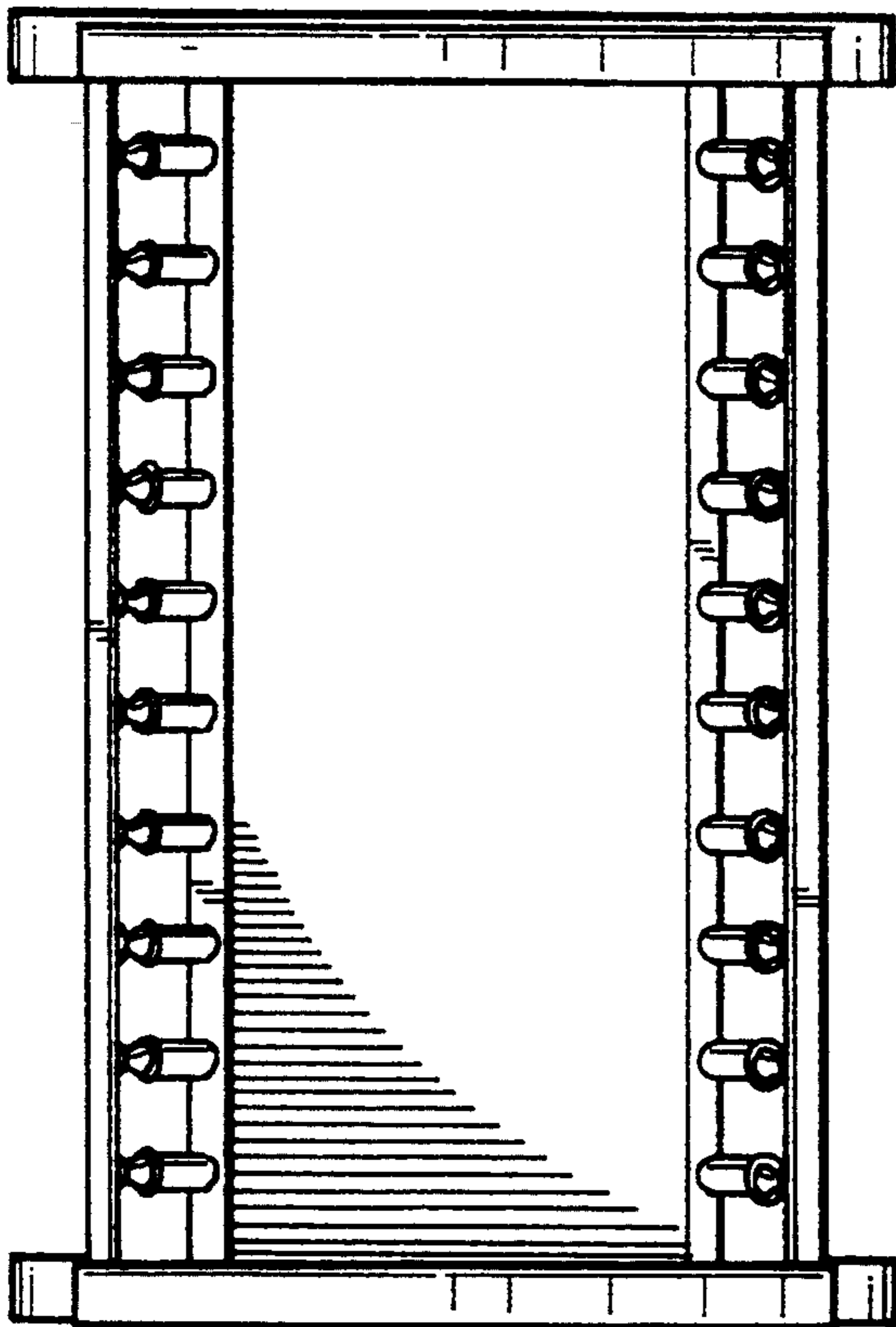


FIG. 4

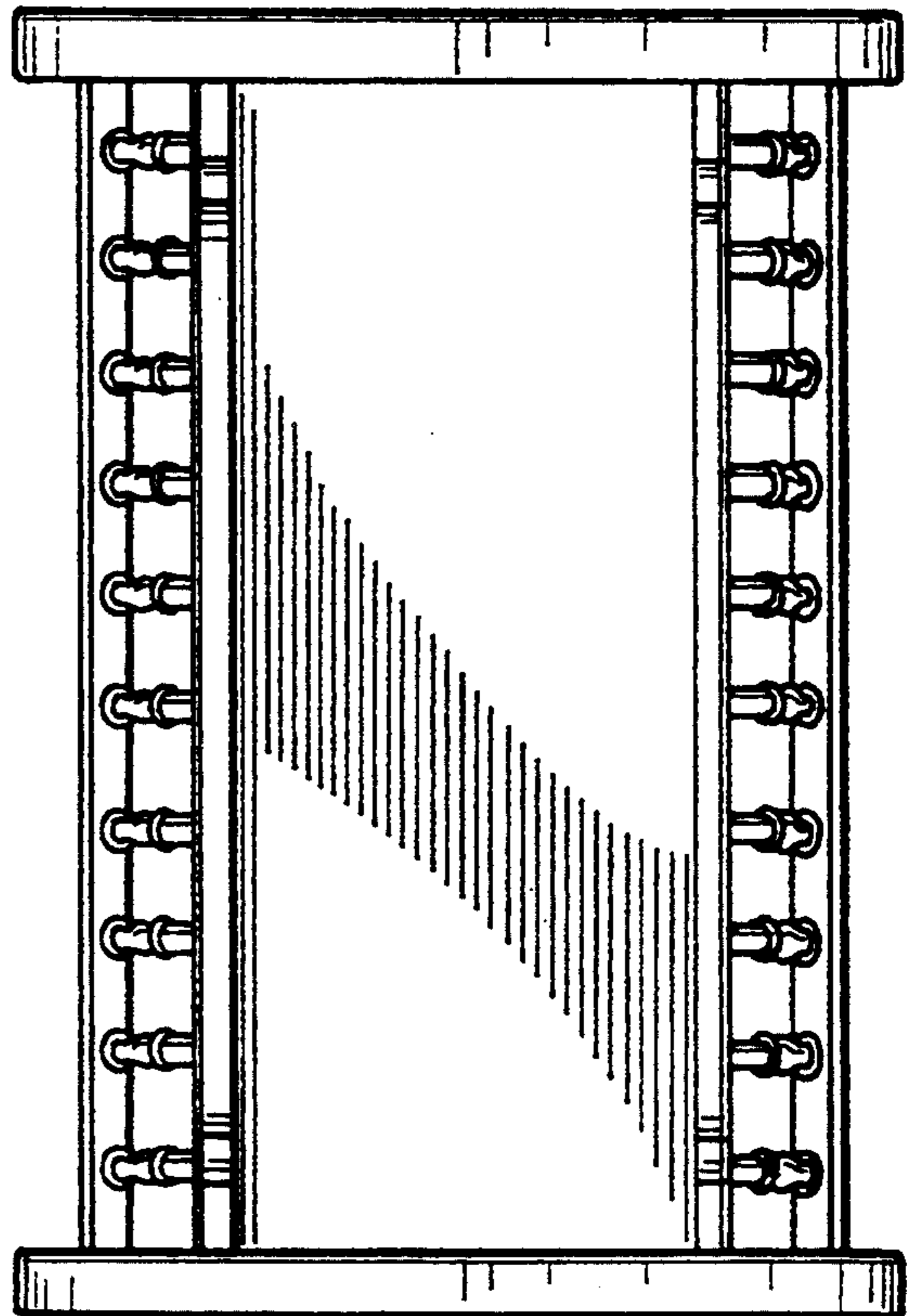


FIG. 5

FIG. 3

