



US00D353718S

United States Patent [19]
Olson

[11] **Patent Number: Des. 353,718**
[45] **Date of Patent: ** Dec. 27, 1994**

[54] **SWIVEL CHAIR**
[75] **Inventor: Ogden R. Olson, Muscatine, Iowa**
[73] **Assignee: Hon Industries Inc., Muscatine, Iowa**
[**] **Term: 14 Years**
[21] **Appl. No.: 896,352**
[22] **Filed: Jun. 11, 1992**

D. 309,383 7/1990 Muller-Deisig et al. .
D. 311,286 10/1990 Muller-Deisig et al. .
D. 312,003 11/1990 Muller-Deisig et al. .
D. 312,536 12/1990 Muller-Deisig et al. .
D. 318,184 7/1991 Muller-Deisig et al. .
D. 326,370 5/1992 Buchacz D6/366
D. 336,380 6/1993 Roseen et al. D6/366
3,223,450 12/1965 Pollock .
4,776,633 10/1988 Knoblock et al. .

Related U.S. Application Data

[63] Continuation-in-part of Ser. No. 695,760, May 6, 1991.
[52] **U.S. Cl. D6/366**
[58] **Field of Search D6/334, 365, 366, 374, D6/375, 379, 500, 501, 502; 297/302, 304, 411.2, 452.14**

References Cited

U.S. PATENT DOCUMENTS

D. 227,831 7/1973 Andrus .
D. 233,808 12/1974 Ruf .
D. 236,173 8/1975 Ruf .
D. 241,288 9/1976 Tacke .
D. 244,892 7/1977 Koepke .
D. 253,205 10/1979 Buhk .
D. 253,206 10/1979 Buhk .
D. 254,640 4/1980 Deck et al. .
D. 255,183 6/1980 Locher .
D. 259,750 7/1981 Buhk .
D. 260,205 8/1981 Buhk .
D. 273,925 5/1984 Caruso .
D. 276,396 11/1984 Locher .
D. 278,869 5/1985 Bohl .
D. 279,154 6/1985 Aronowitz et al. .
D. 279,155 6/1985 Aronowitz et al. .
D. 282,510 2/1986 Diffrient .
D. 291,159 8/1987 Monesi .
D. 295,925 5/1988 Uredat-Neuhoff .
D. 298,188 10/1988 Hensel .
D. 299,799 2/1989 Muller-Deisig et al. .
D. 305,183 12/1989 Carter et al. .

OTHER PUBLICATIONS

Interiors, Sep. 1980, p. 83, Gunlocke Co. chair at top right.
Interiors, Aug. 1984, p. 78, Sunar Hauserman, Ltd. chair at bottom left.
Fixtures Furniture, p. 50, chair #60280 at top left.

Primary Examiner—Carmen H. Vales-Lado
Assistant Examiner—Gary D. Watson
Attorney, Agent, or Firm—Jones, Day, Reavis & Pogue

CLAIM

The ornamental design for a swivel chair, as shown and described.

DESCRIPTION

FIG. 1 is a perspective view of a swivel chair showing my new design;
FIG. 2 is a front view;
FIG. 3 is a right side view;
FIG. 4 is a rear view thereof;
FIG. 5 is a perspective view of a second embodiment of the swivel chair showing my new design;
FIG. 6 is a front view of the second embodiment shown in FIG. 6;
FIG. 7 is a left side view thereof;
FIG. 8 is a perspective view of a third embodiment of the swivel chair showing my new design;
FIG. 9 is a right side view;
FIG. 10 is a front view; and,
FIG. 11 is a rear view thereof.

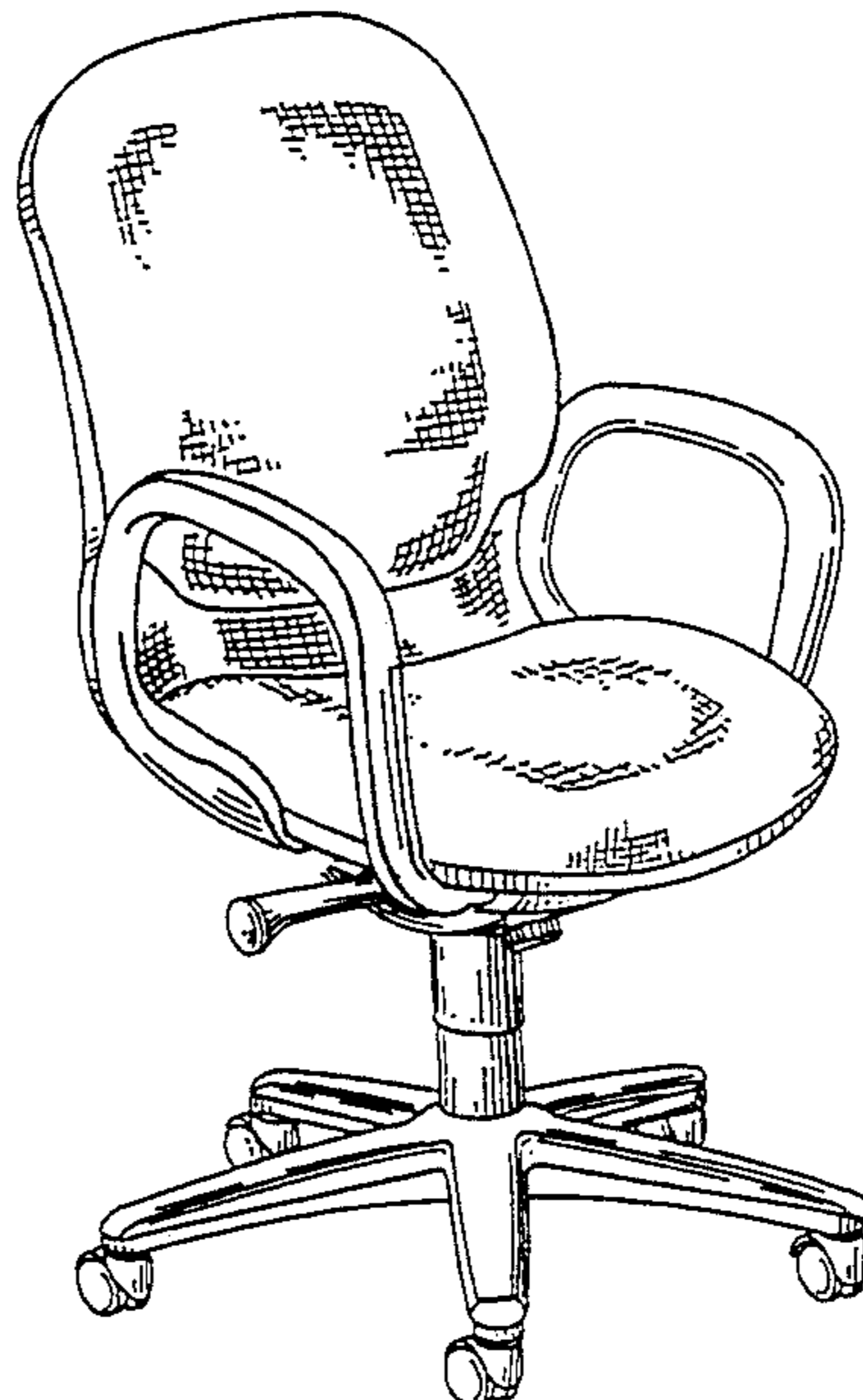


Fig. 1

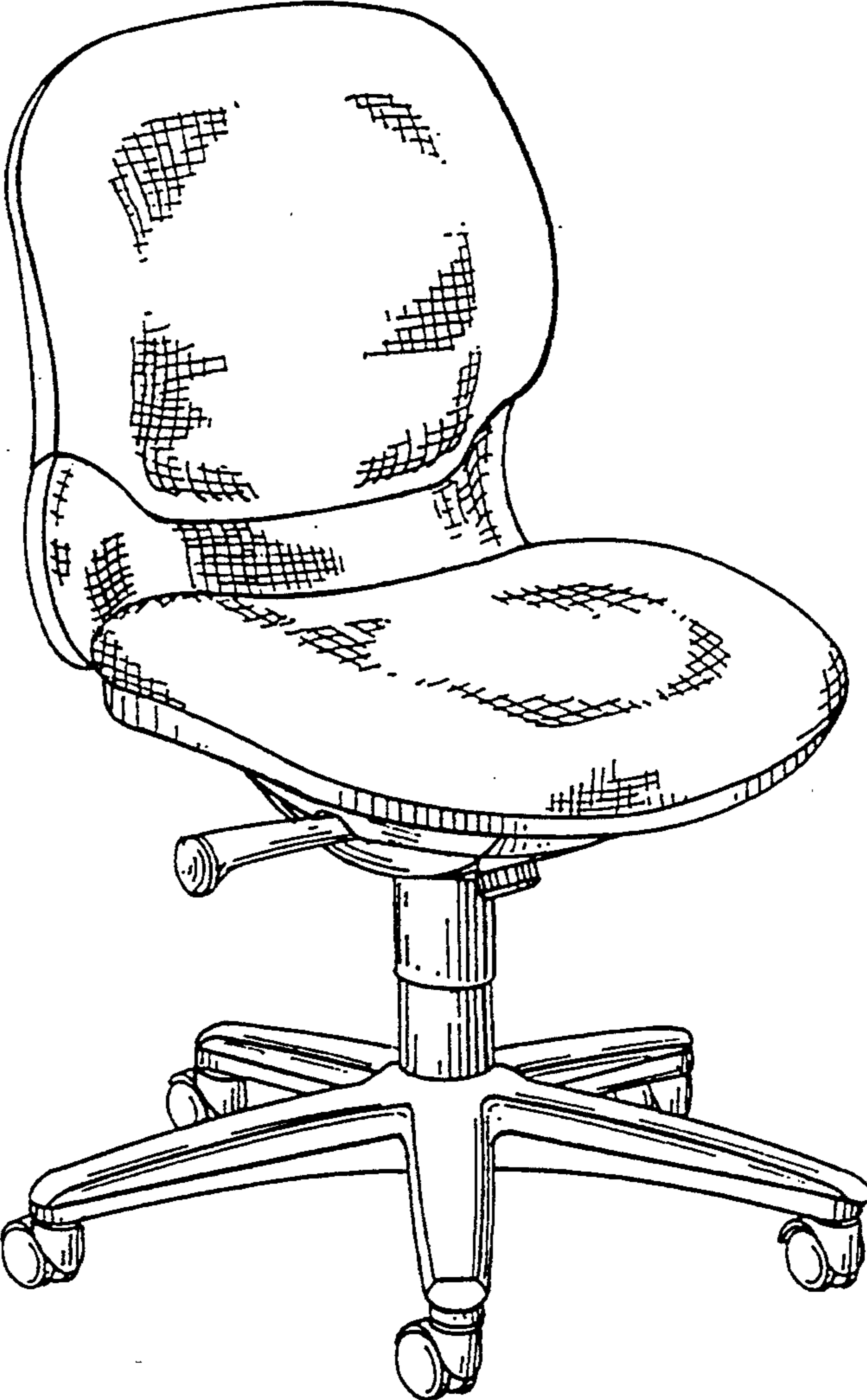


Fig. 2

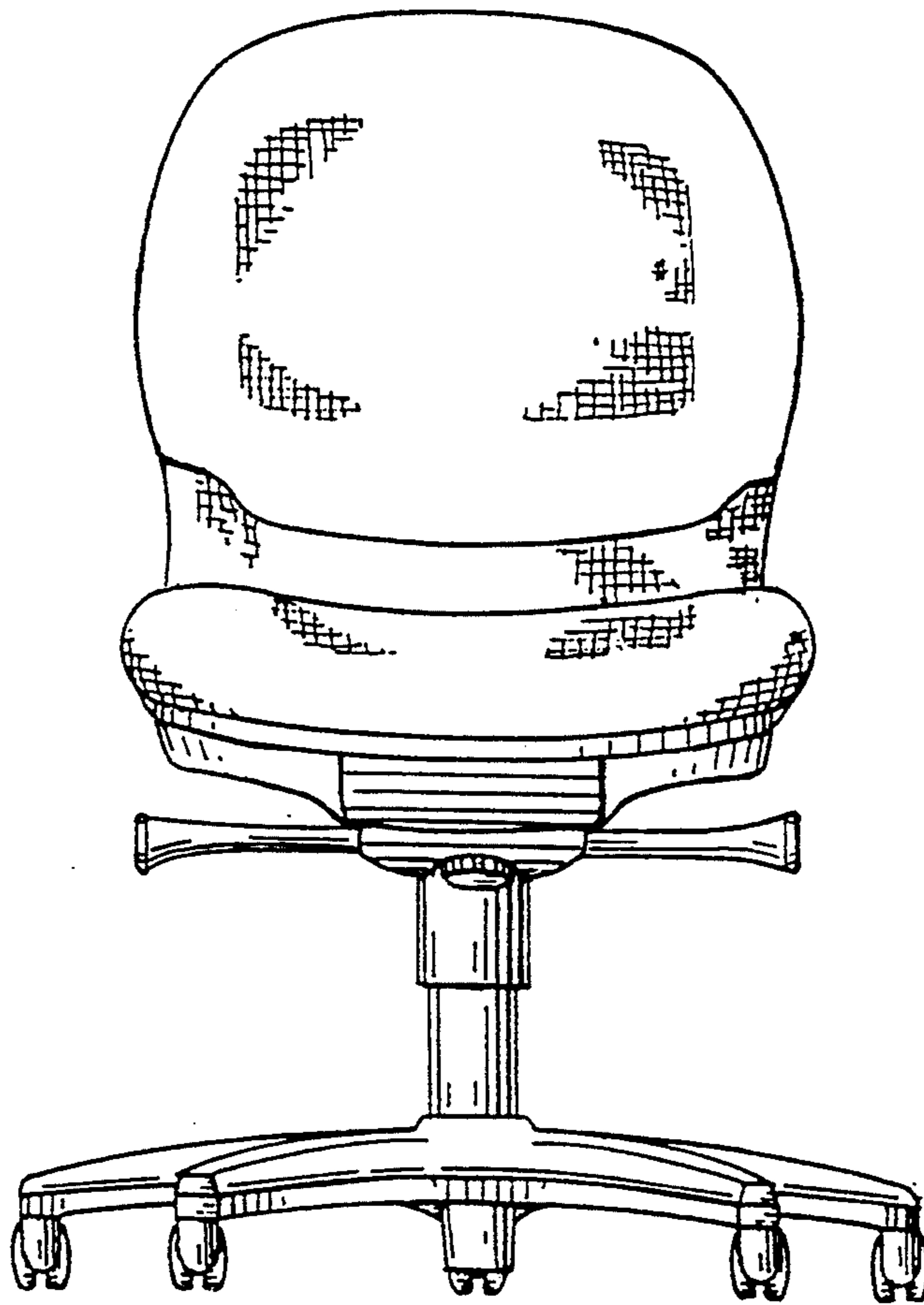


Fig. 3

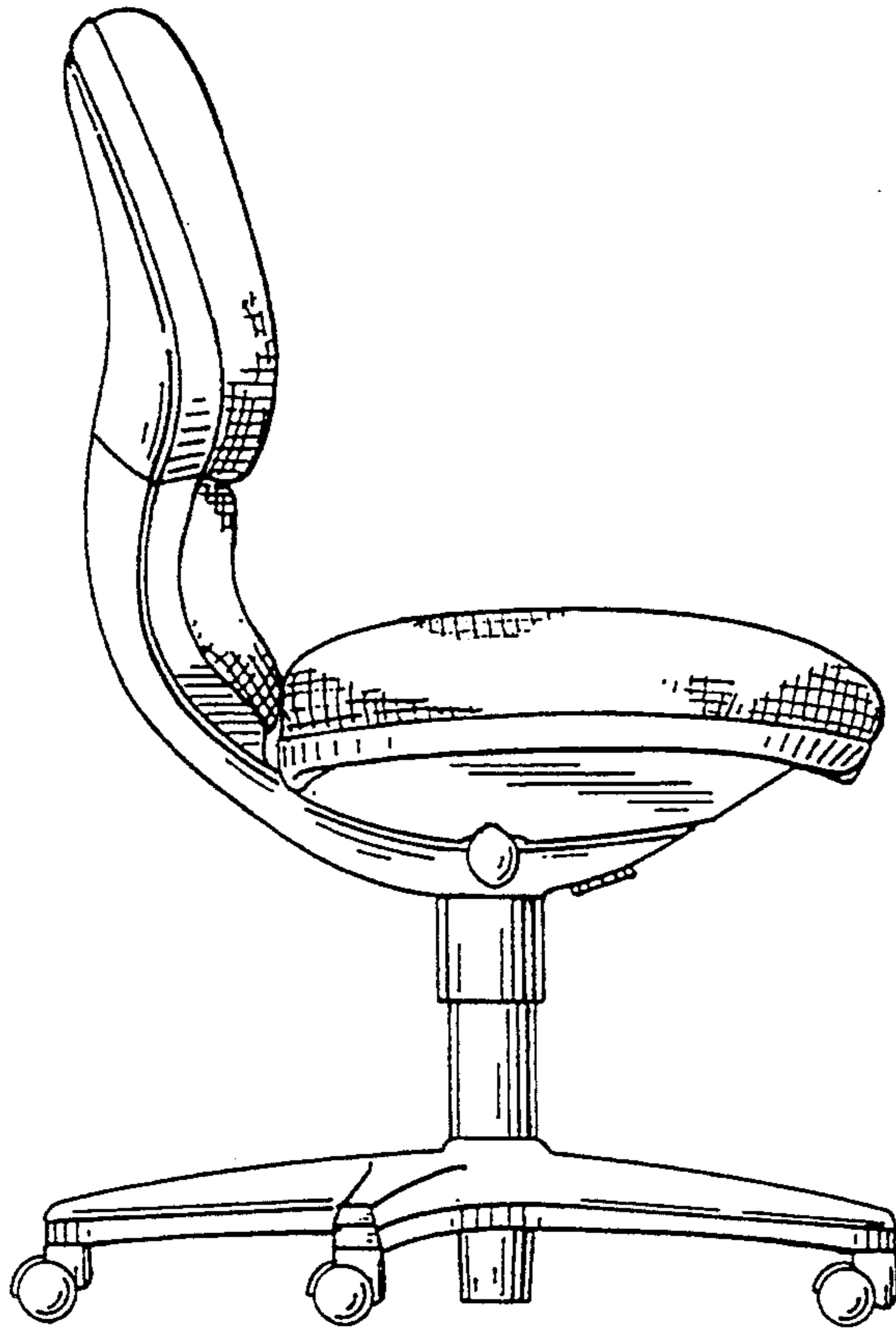


Fig. 4

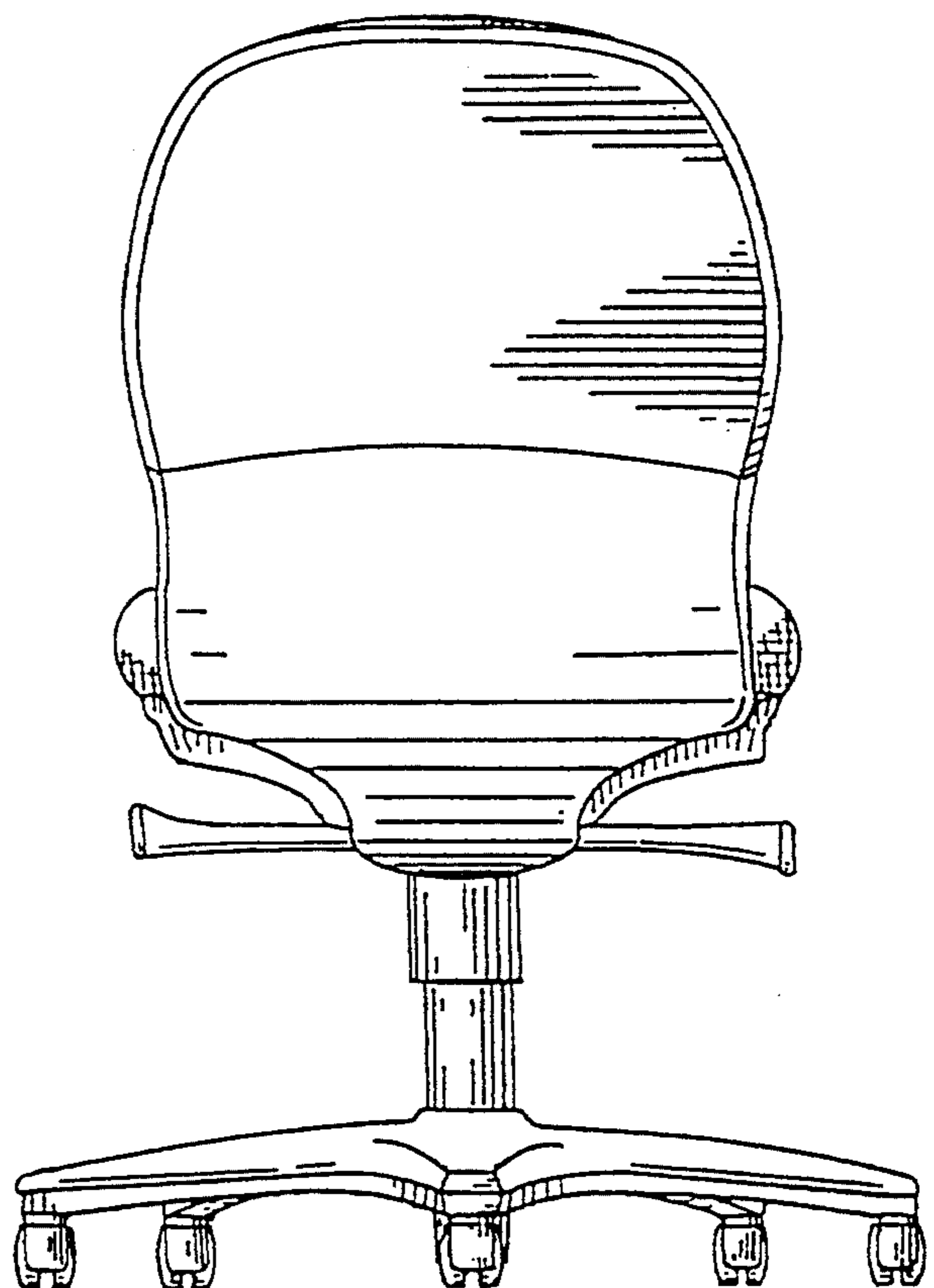


Fig. 5

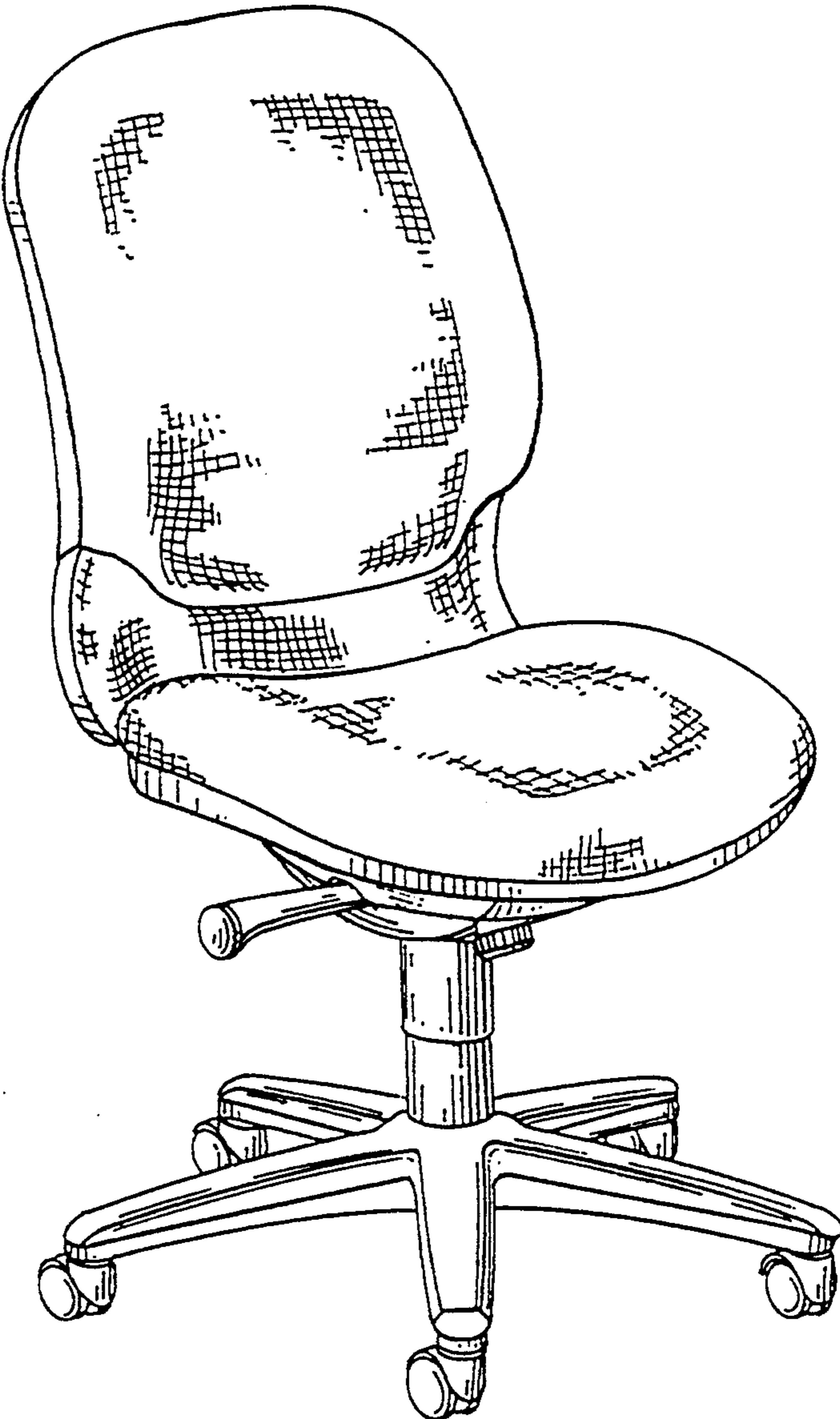


Fig. 6

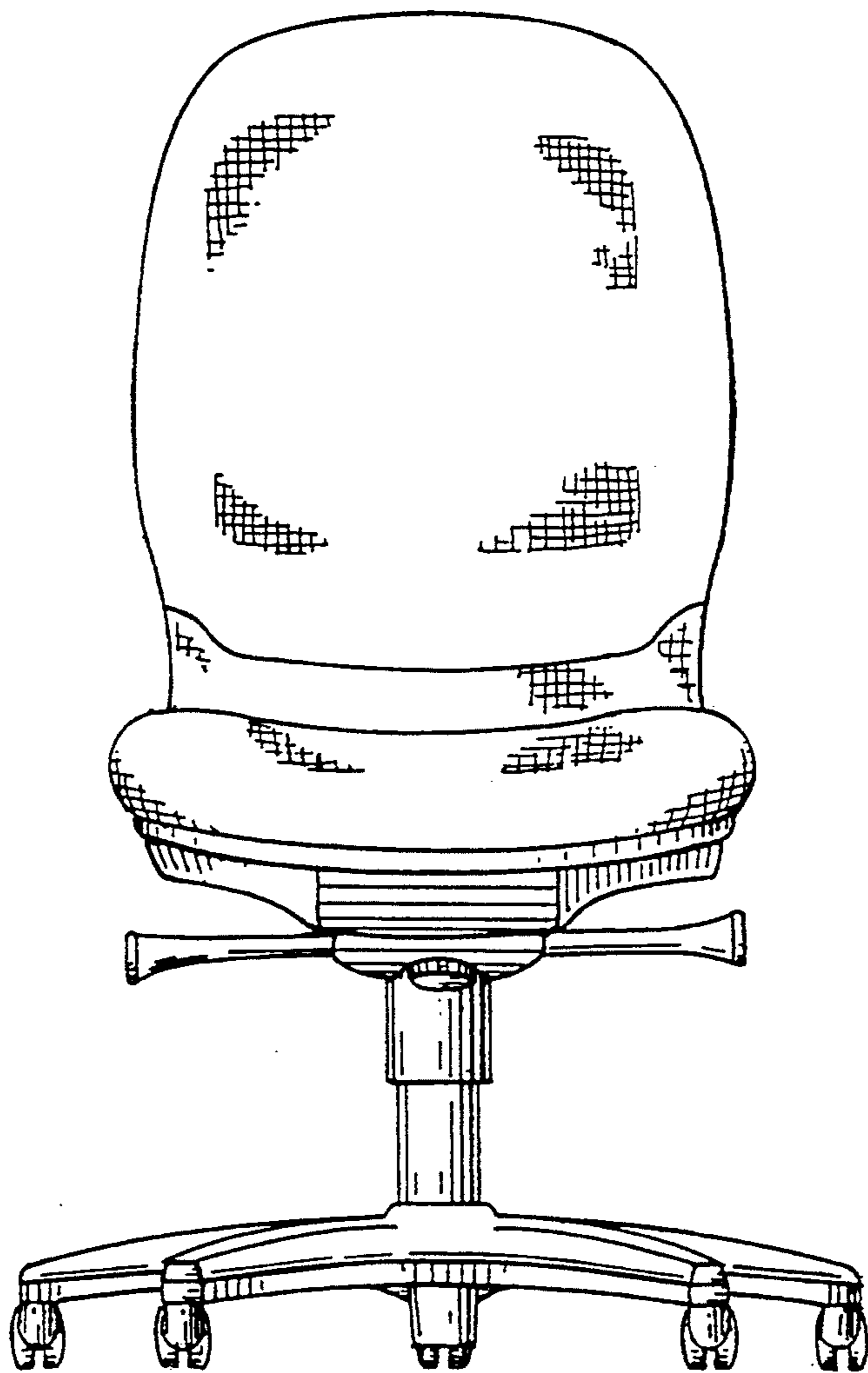


Fig. 7

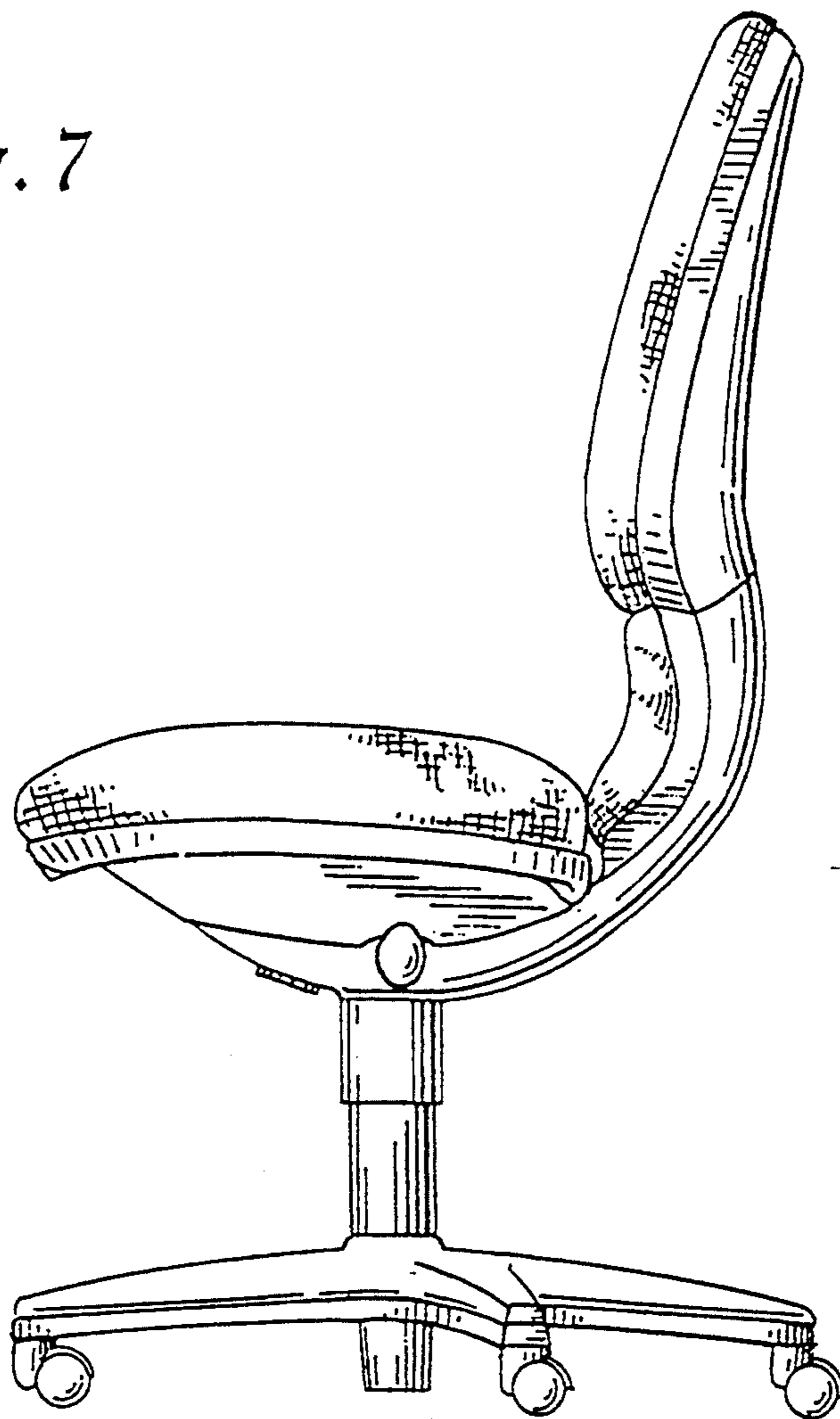


Fig. 8

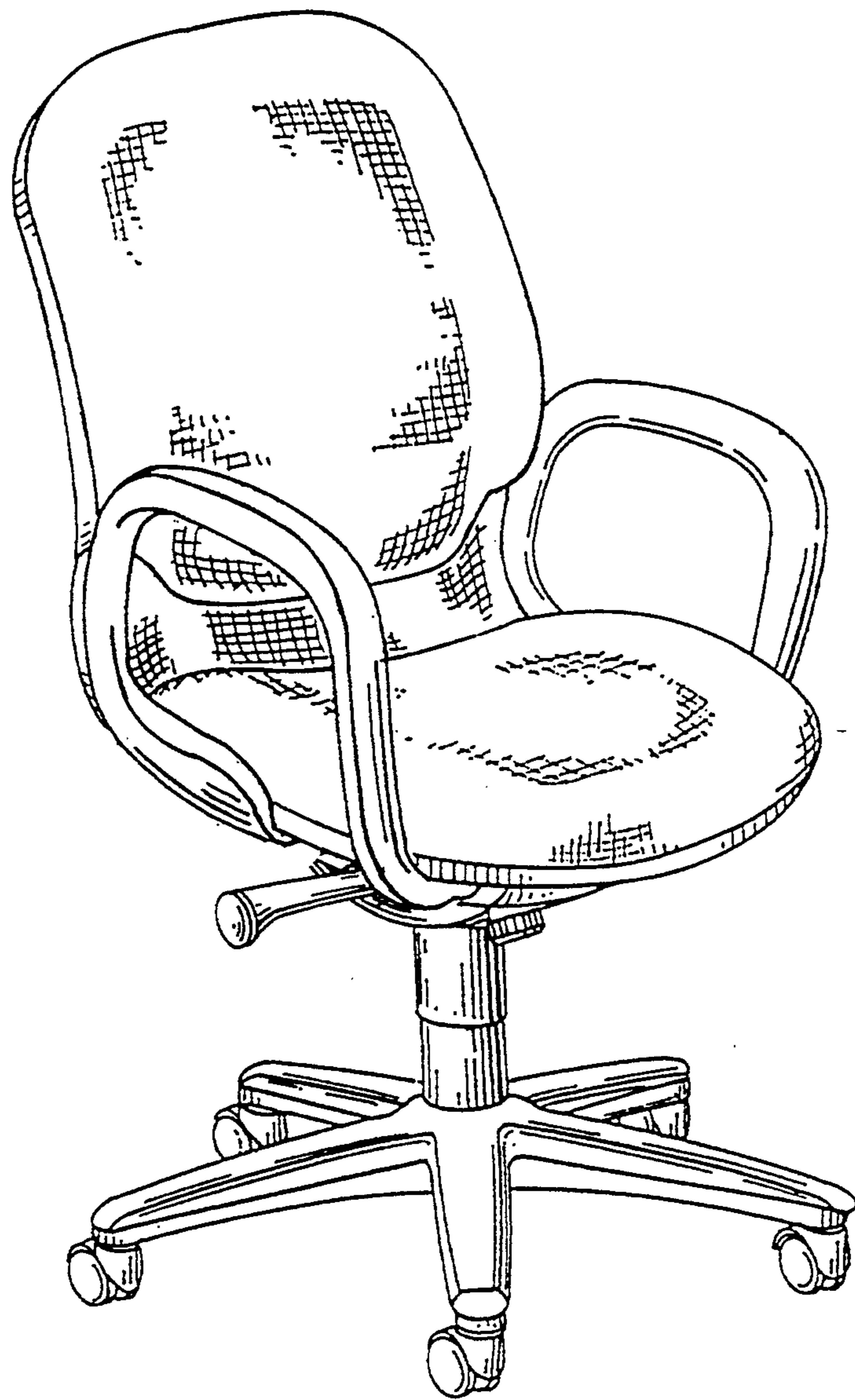


Fig. 9

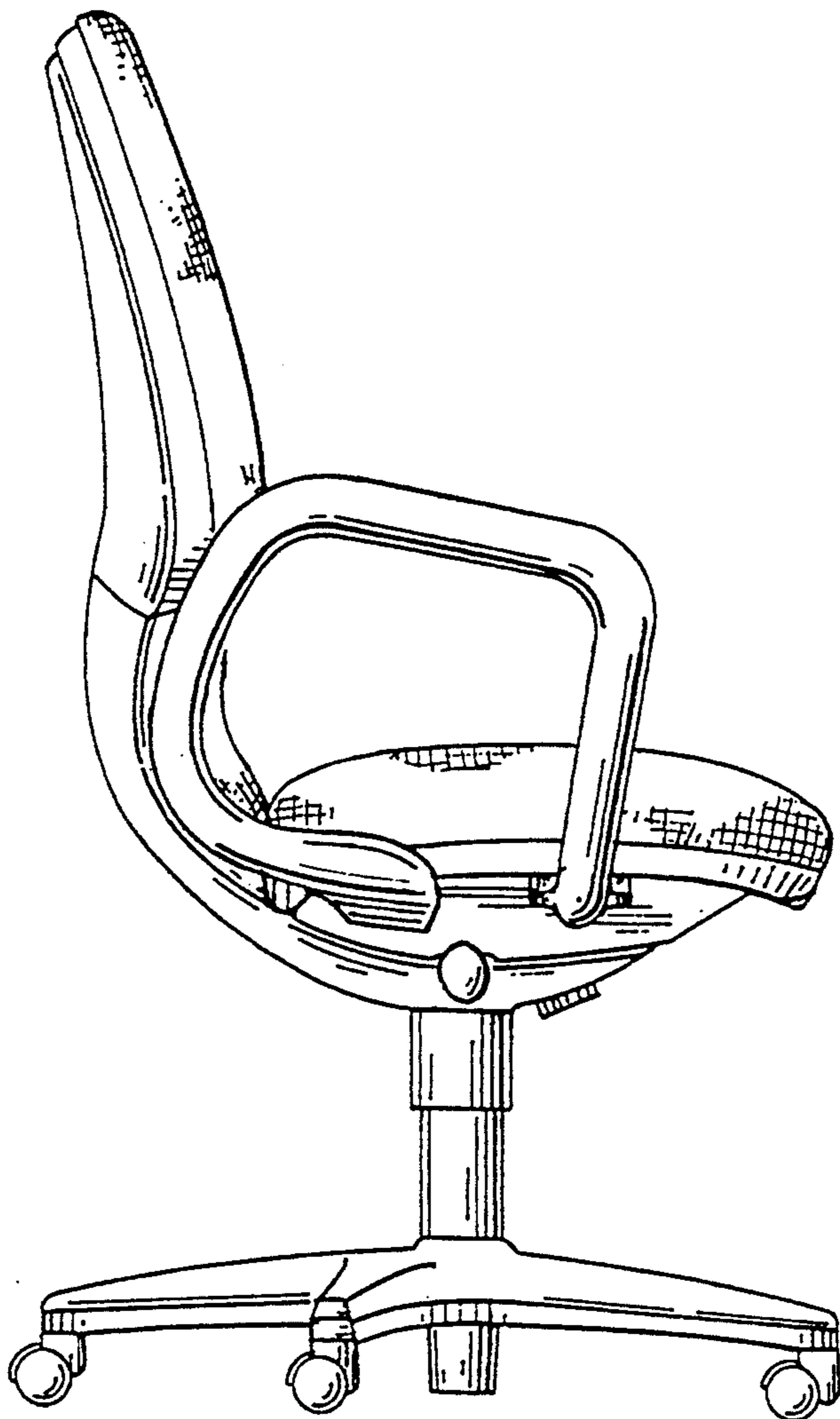


Fig. 10

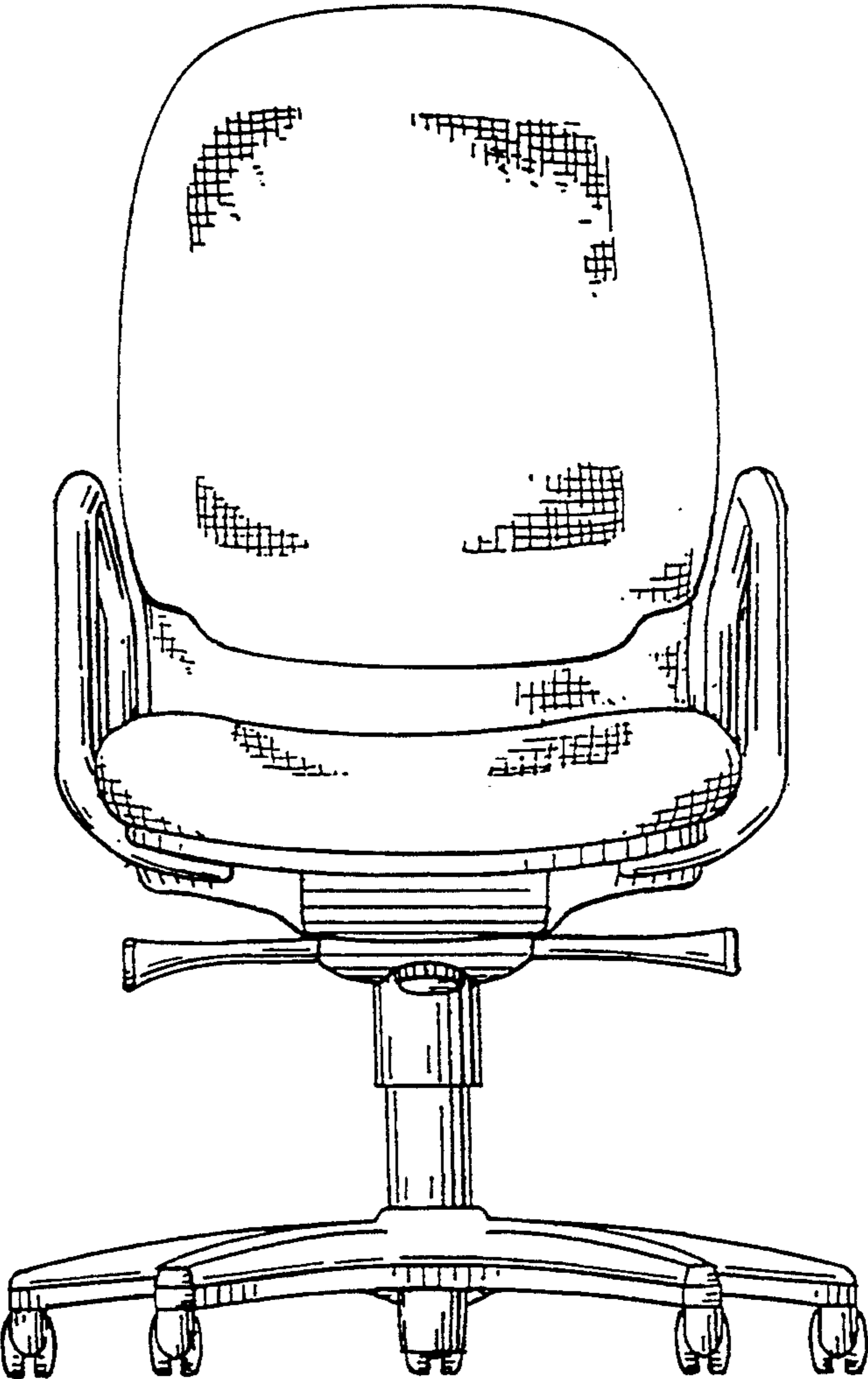


Fig. 11

