



US00D353717S

United States Patent [19]

[11] Patent Number: **Des. 353,717**

O'Neil

[45] Date of Patent: **** Dec. 27, 1994**

[54] HANGER ASSEMBLY FOR ICE SKATES

4,733,897 3/1988 Schuetzeberg 211/34 X
5,224,607 7/1993 Koresko 211/34

[76] Inventor: **Kevin M. O'Neil**, 4560 W. Arm Rd.,
Spring Park, Minn. 55384

Primary Examiner—Brian N. Vinson
Attorney, Agent, or Firm—Haugen and Nikolai

[**] Term: **14 Years**

[57] **CLAIM**

[21] Appl. No.: **9,177**

The ornamental design for the hanger assembly for ice skates, as shown and described.

[22] Filed: **Jun. 7, 1993**

[52] U.S. Cl. **D6/315; D6/552**

[58] Field of Search **D6/513-514,**
D6/552, 315, 323, 326; D8/367, 373;
211/34-38, 113; 248/317

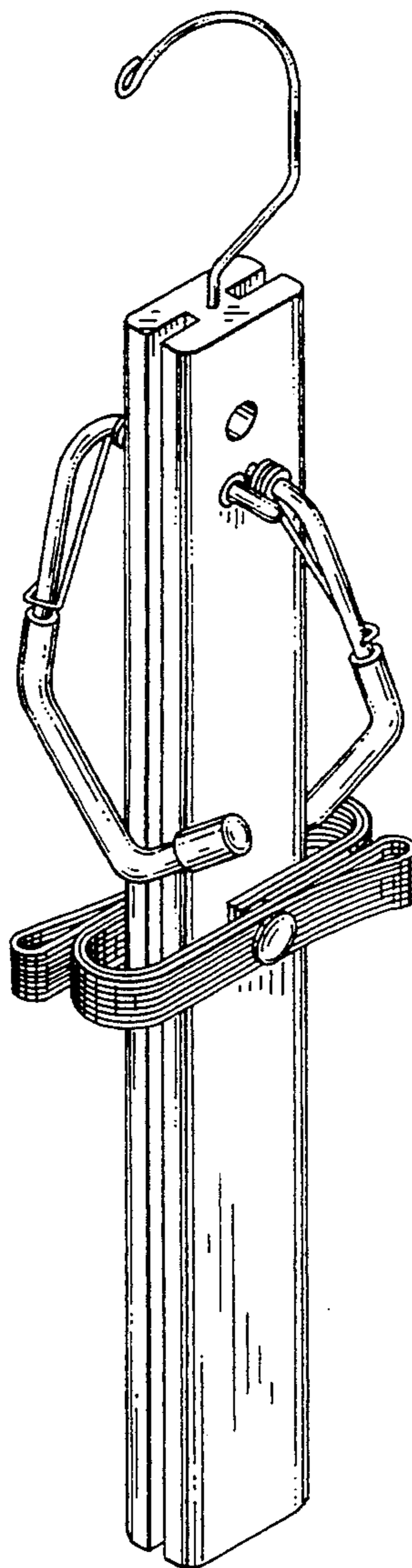
DESCRIPTION

[56] **References Cited**

U.S. PATENT DOCUMENTS

D. 201,112 5/1965 Stein D6/315
D. 342,612 12/1993 McIntyre D6/315
3,587,951 6/1971 Derouin 211/34 X

FIG. 1 is a perspective view of my design for a hanger assembly for ice skates;
FIG. 2 is a front elevational view of my design;
FIG. 3 is a side elevational view of my design taken from the right side of the view of FIG. 1;
FIG. 4 is a side elevational view of my design taken from the left side of the view of FIG. 1;
FIG. 5 is a top plan view of my design; and,
FIG. 6 is a bottom plan view of my design.



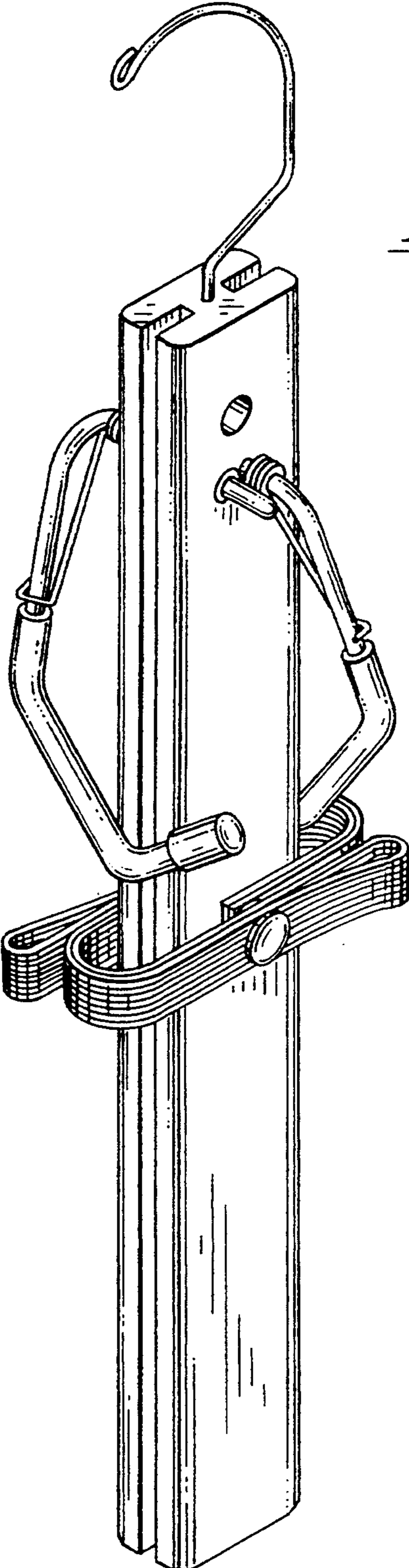


Fig.-1

Fig.-2

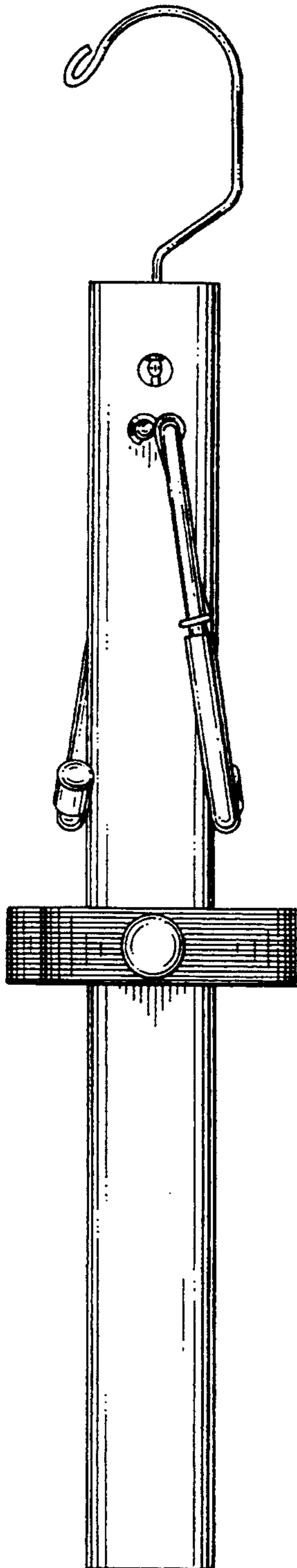


Fig.-3

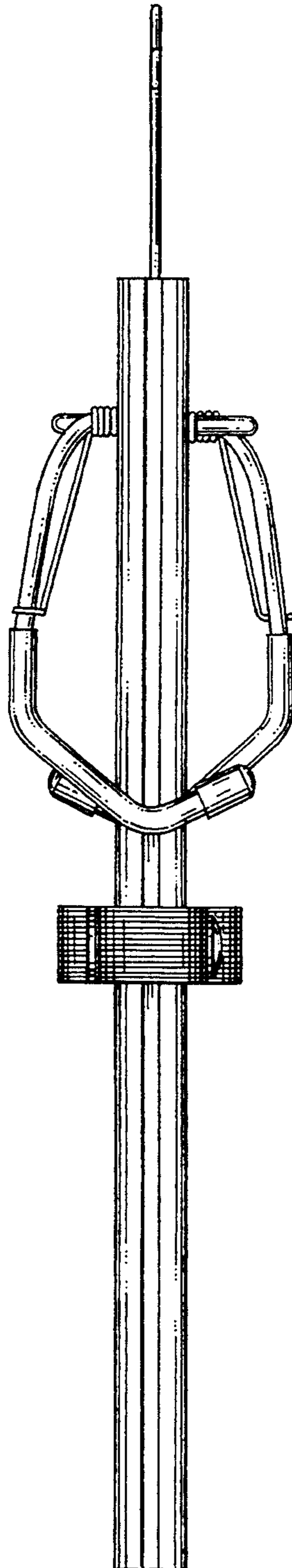


Fig.-4

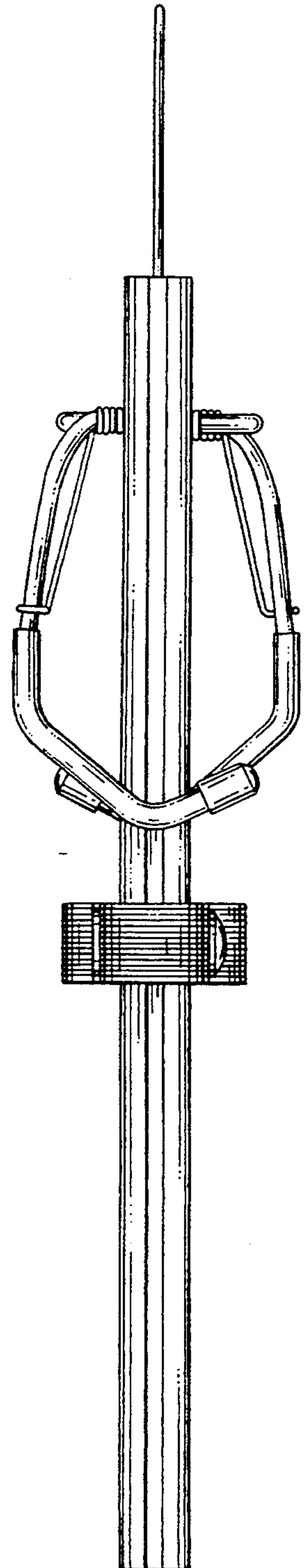


Fig. -5

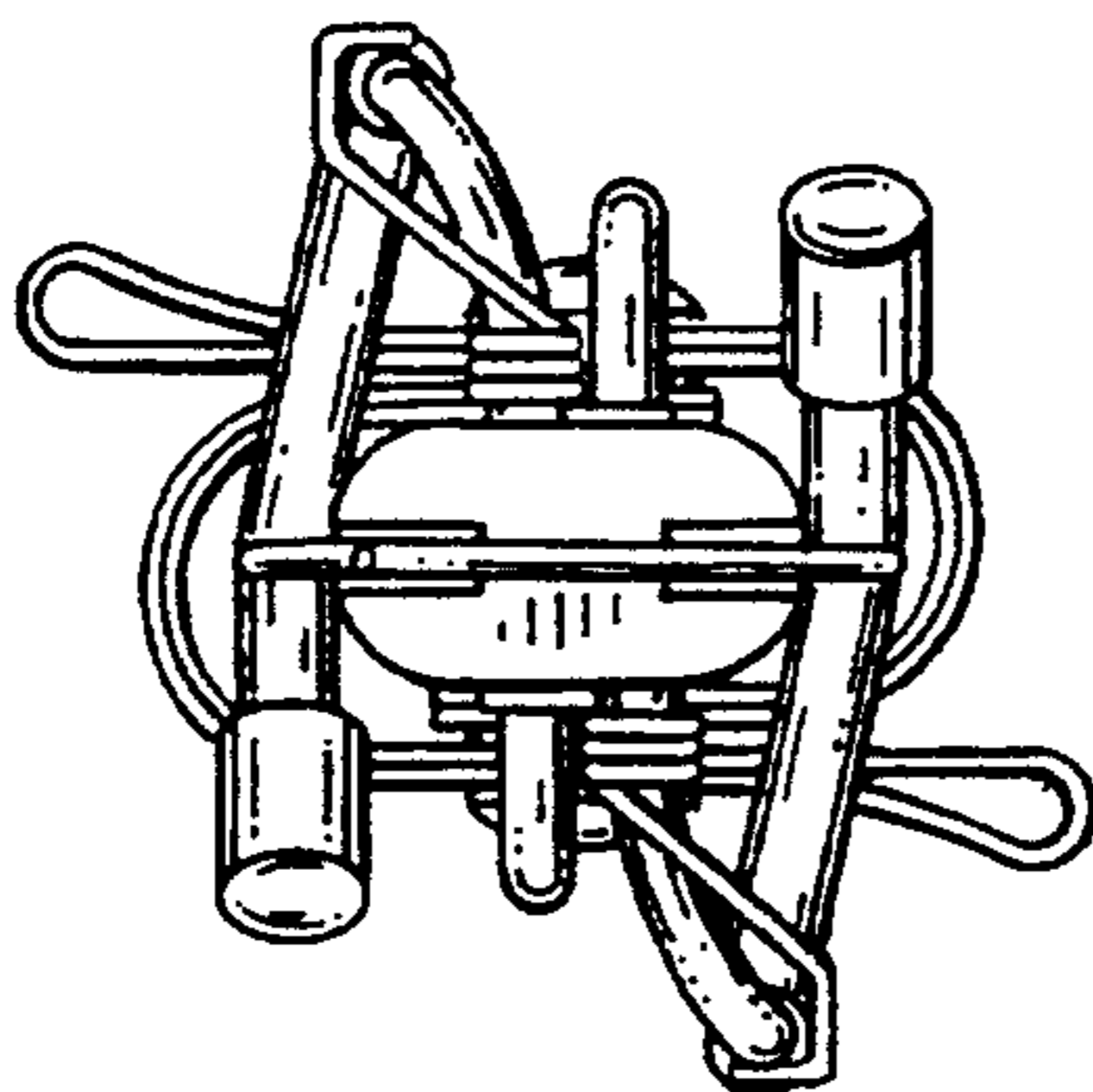


Fig. -6

