



US00D353714S

United States Patent [19]
Stromberg

[11] **Patent Number: Des. 353,714**
[45] **Date of Patent: ** Dec. 27, 1994**

[54] **COLLAPSIBLE STORAGE BIN**
[76] **Inventor: Per S. Stromberg, Wessels vei 11,
N-2000 Lillestrom, Norway**
[**] **Term: 14 Years**
[21] **Appl. No.: 5,859**
[22] **Filed: Mar. 15, 1993**
[52] **U.S. Cl. D3/305**
[58] **Field of Search D9/424; D3/305, 307,
D3/312; 206/427, 431, 503-512; 229/114**

4,819,822 4/1989 Box D3/314 X
5,114,034 5/1992 Miller et al. 229/114

Primary Examiner—Bernard Ansher
Assistant Examiner—Mitchell I. Siegel
Attorney, Agent, or Firm—Erwin Doerr

[57] **CLAIM**

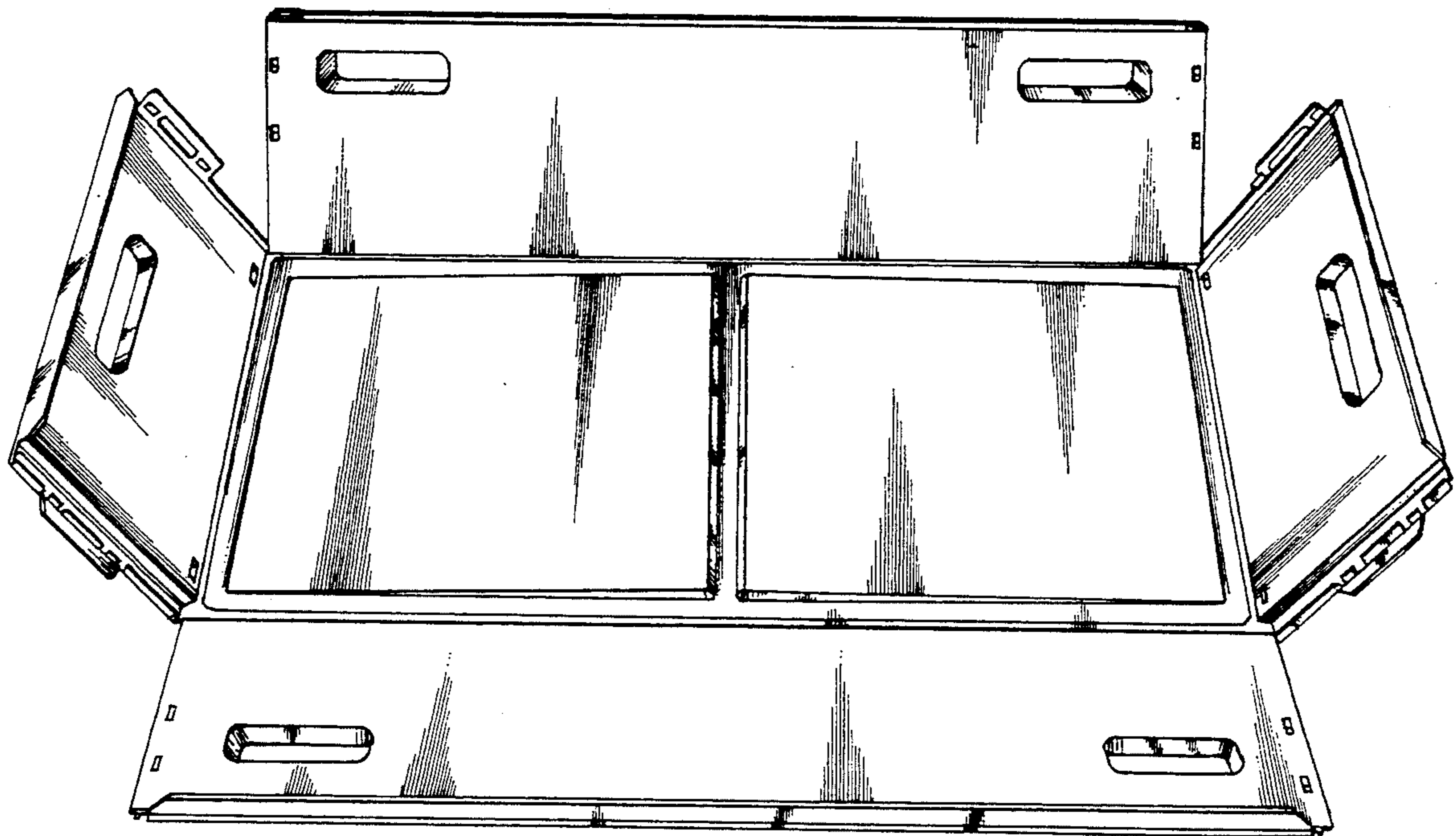
The ornamental design for a collapsible storage bin, as shown and described.

DESCRIPTION

FIG. 1 is a top perspective view of a collapsible storage bin showing my new design;
FIG. 2 is a top perspective view thereof, shown in an alternate position for clarity of illustration;
FIG. 3 is a top perspective view of FIG. 1, shown in a further alternate position for clarity of illustration;
FIG. 4 is a top perspective view, shown with a lid for clarity of illustration; and,
FIG. 5 is a bottom perspective view of FIG. 4.

[56] **References Cited**
U.S. PATENT DOCUMENTS

D. 185,990	8/1959	Dickman et al.	D3/312
D. 242,496	11/1976	Carroll et al.	D3/312
D. 251,034	2/1979	Carroll et al.	D3/312
D. 306,227	2/1990	Ross	D3/312
D. 307,349	4/1990	Box	D3/312
4,187,977	2/1980	Boykin et al.	229/114



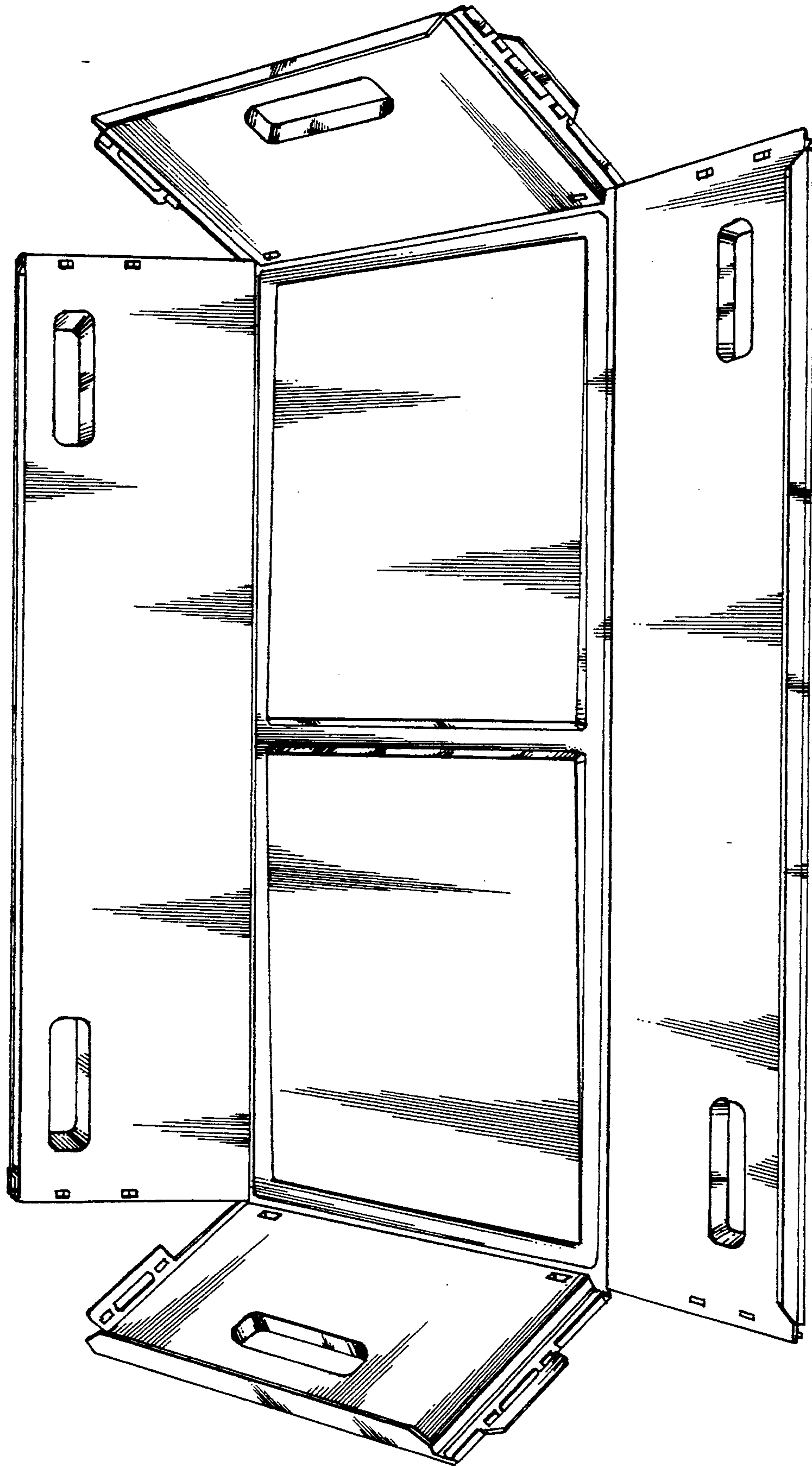


FIG. 1

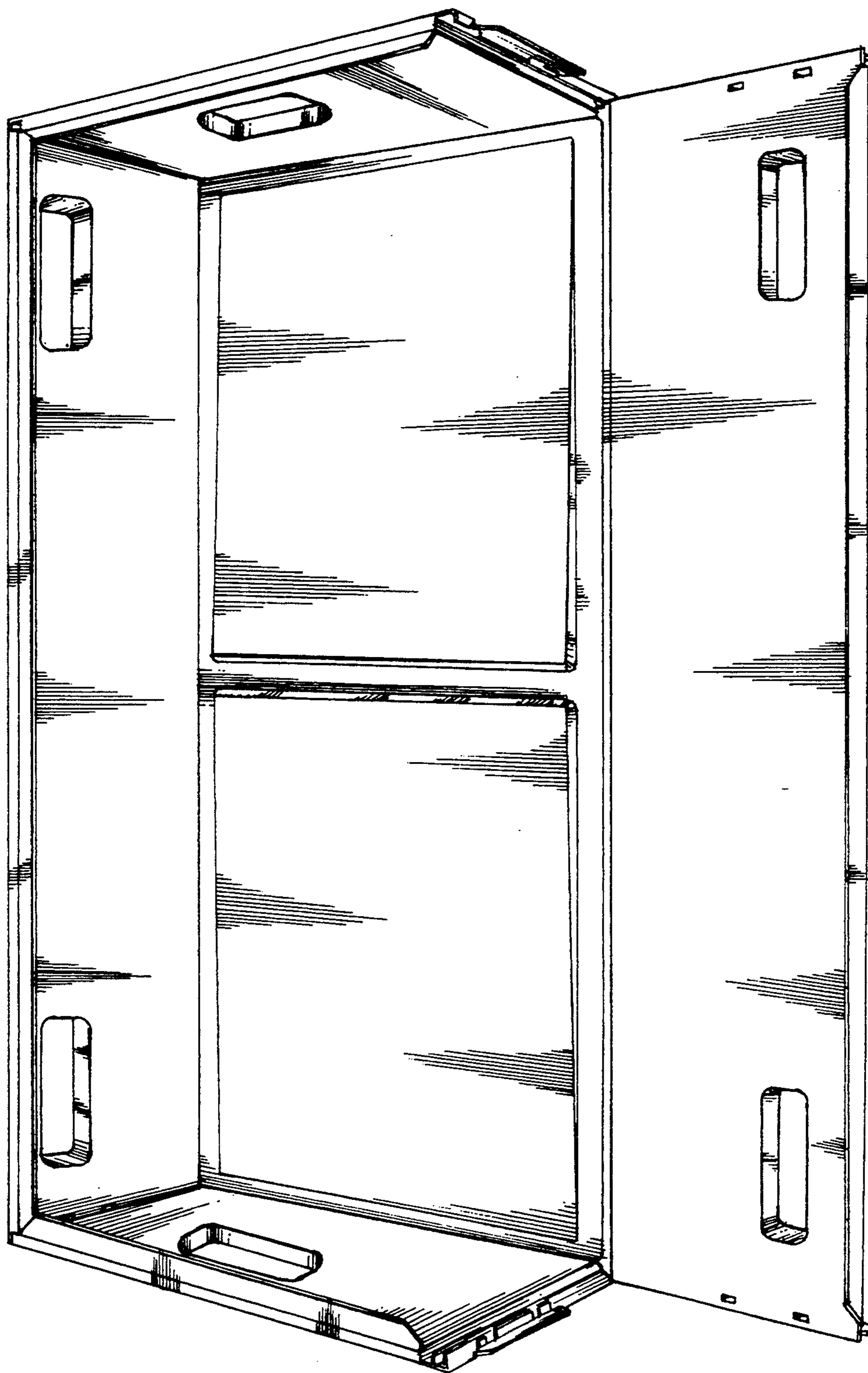


FIG. 2

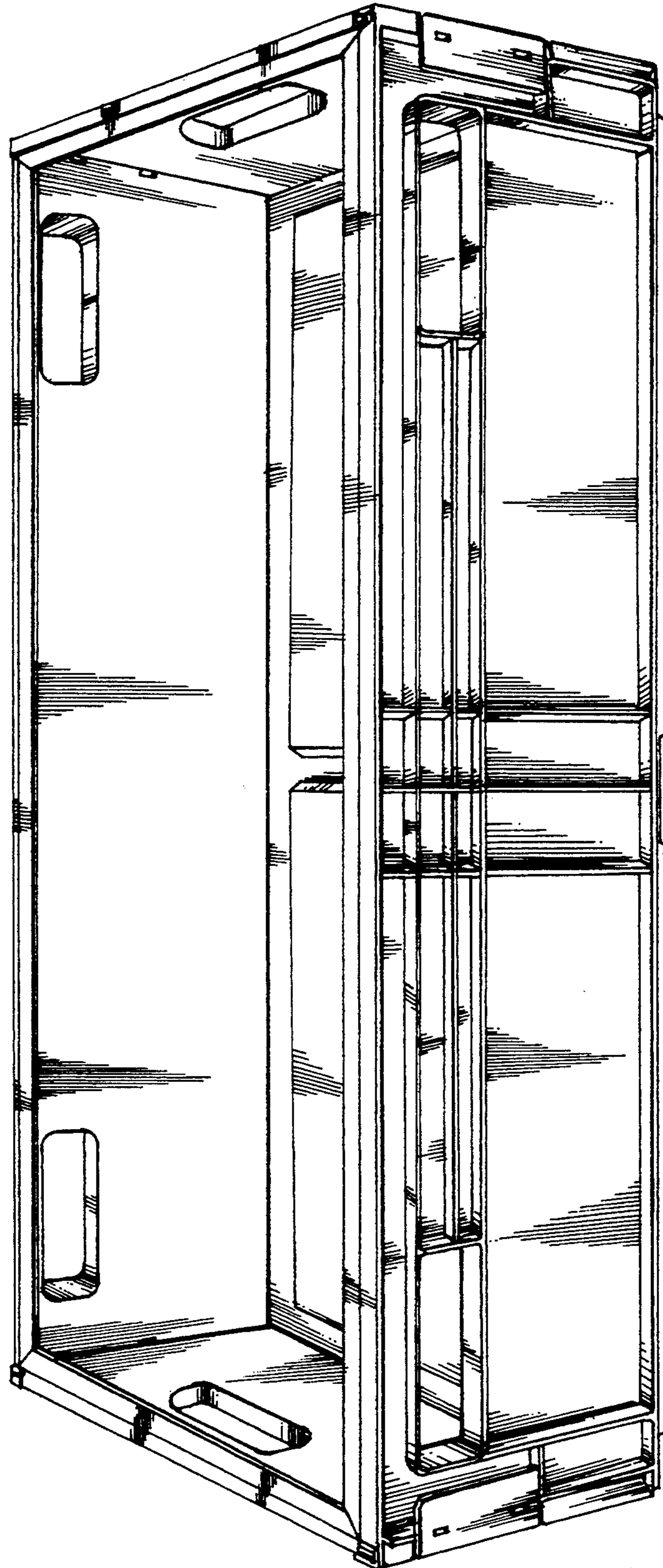


FIG. 3

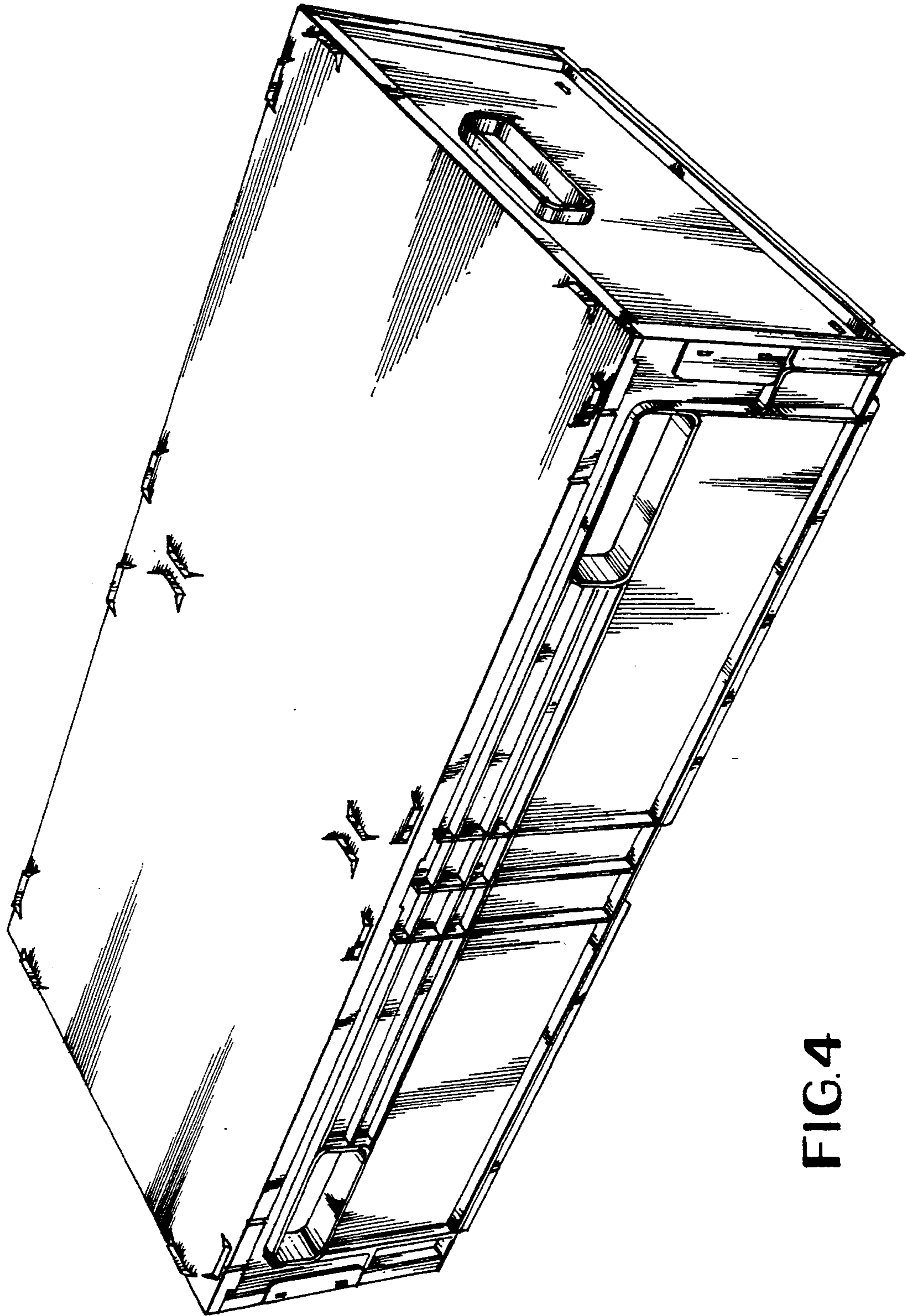


FIG.4

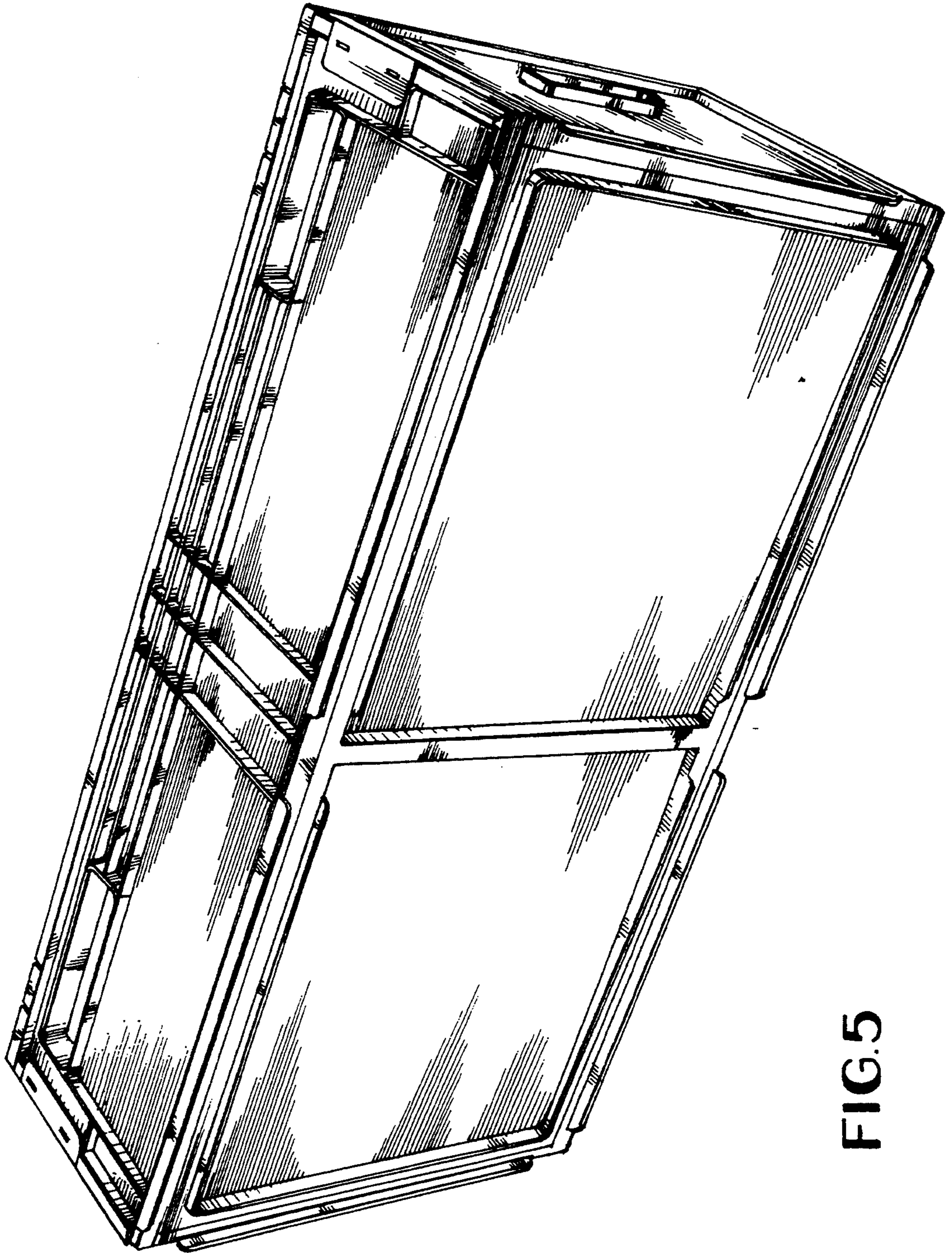


FIG.5