



US00D353712S

United States Patent [19]

[11] Patent Number: **Des. 353,712**

Aalders

[45] Date of Patent: **** Dec. 27, 1994**

[54] **COMBINATION SPECTACLE CASE AND CONTACT LENS VIAL**

4,524,871 6/1985 Klinger 206/38
4,555,020 11/1985 Campello 206/38

[76] Inventor: **Hubertine M. E. Aalders,**
Kruisbroedersstraatje 8, 5211 GZ
Den Bosch, Netherlands

FOREIGN PATENT DOCUMENTS

0245464 7/1947 Switzerland 206/38

[**] Term: **14 Years**

Primary Examiner—C. A. Murphy
Attorney, Agent, or Firm—Fish & Richardson

[21] Appl. No.: **5,235**

[57] CLAIM

[22] Filed: **Feb. 22, 1993**

The ornamental design for a combined spectacle case and contact lens vial, as shown and described.

Related U.S. Application Data

[63] Continuation-in-part of Ser. No. 776,745, Oct. 15, 1991.
[52] U.S. Cl. D3/265; D3/264
[58] Field of Search D3/264, 265, 266, 205;
D16/124; 206/38, 316.1, 5, 5.1

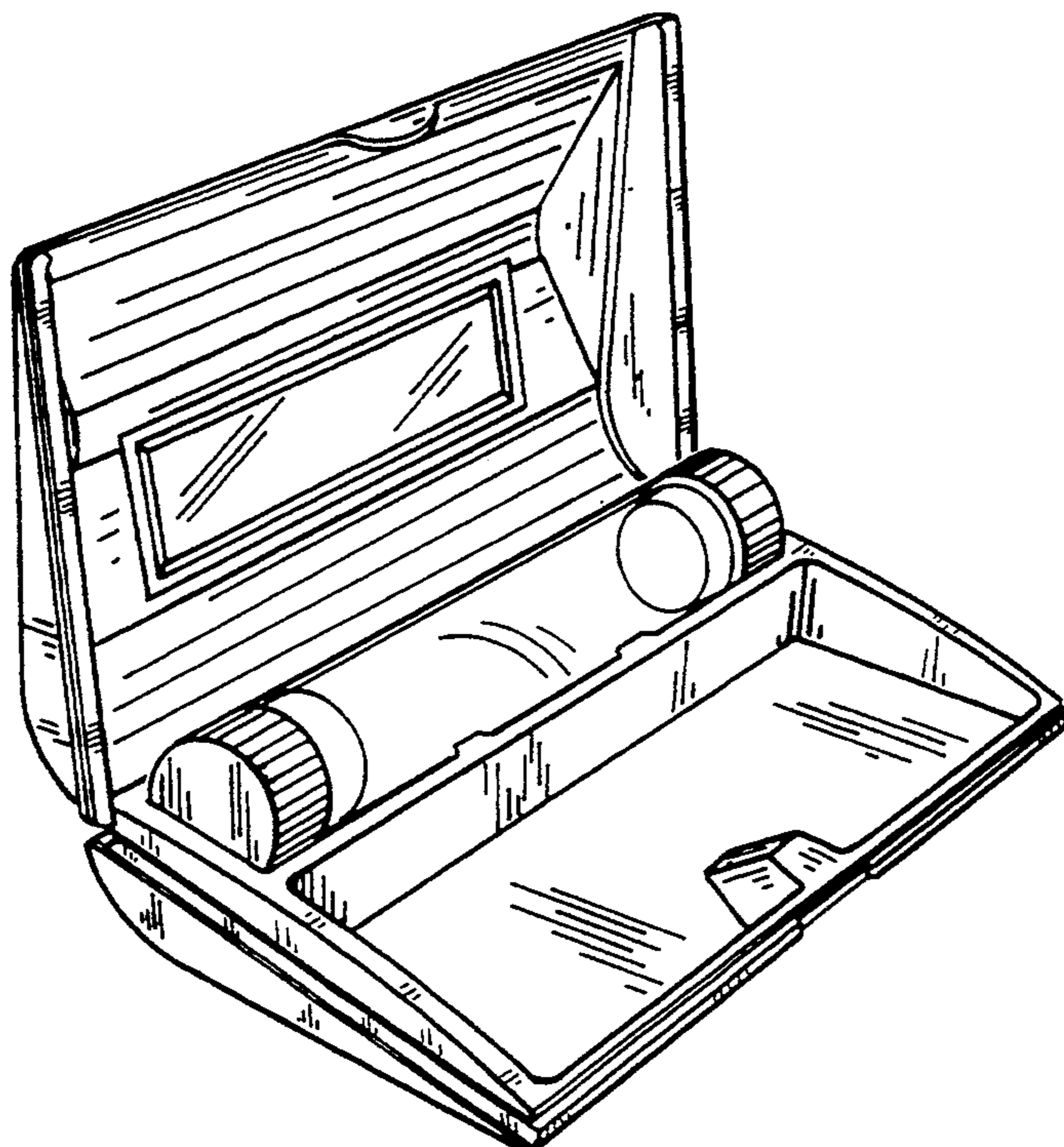
DESCRIPTION

[56] References Cited

U.S. PATENT DOCUMENTS

D. 117,705 11/1939 Abrams D3/264
D. 118,934 2/1940 Goldin D3/264
D. 192,960 6/1962 Buderman D3/205
D. 228,093 8/1973 Middleton et al. D3/264
D. 262,585 1/1982 Anema D3/264
D. 298,383 11/1988 Devore et al. D3/264
D. 318,757 8/1991 Beanum D3/264
D. 320,885 10/1991 Fitzhugh D3/264
164,620 6/1875 Watson 206/38
2,010,521 8/1935 Kreisler 206/38
3,052,246 9/1962 Beard D3/264
3,085,584 4/1963 Hollinger D3/264
3,124,240 3/1964 Croan 206/5.1

FIG. 1 is a perspective view of a combination spectacle case and contact lens vial showing my new design in a closed position;
FIG. 2 is a front elevational view thereof;
FIG. 3 is a rear elevational view thereof;
FIG. 4 is a top plan view thereof;
FIG. 5 is a bottom plan view thereof;
FIG. 6 is a right side elevational view thereof;
FIG. 7 is a left side elevational view thereof;
FIG. 8 is a perspective view thereof shown in an open position, the lens vial being removed, and the inner portion not shown being a mirror image of the visible side;
FIG. 9 is a perspective view of a combination spectacle case and contact lens vial showing my new design in an open position;
FIG. 10 is a top plan view of the lens vial component; both sides being identical; and,
FIG. 11 is a perspective view of the lens vial component, the opposite perspective being identical.



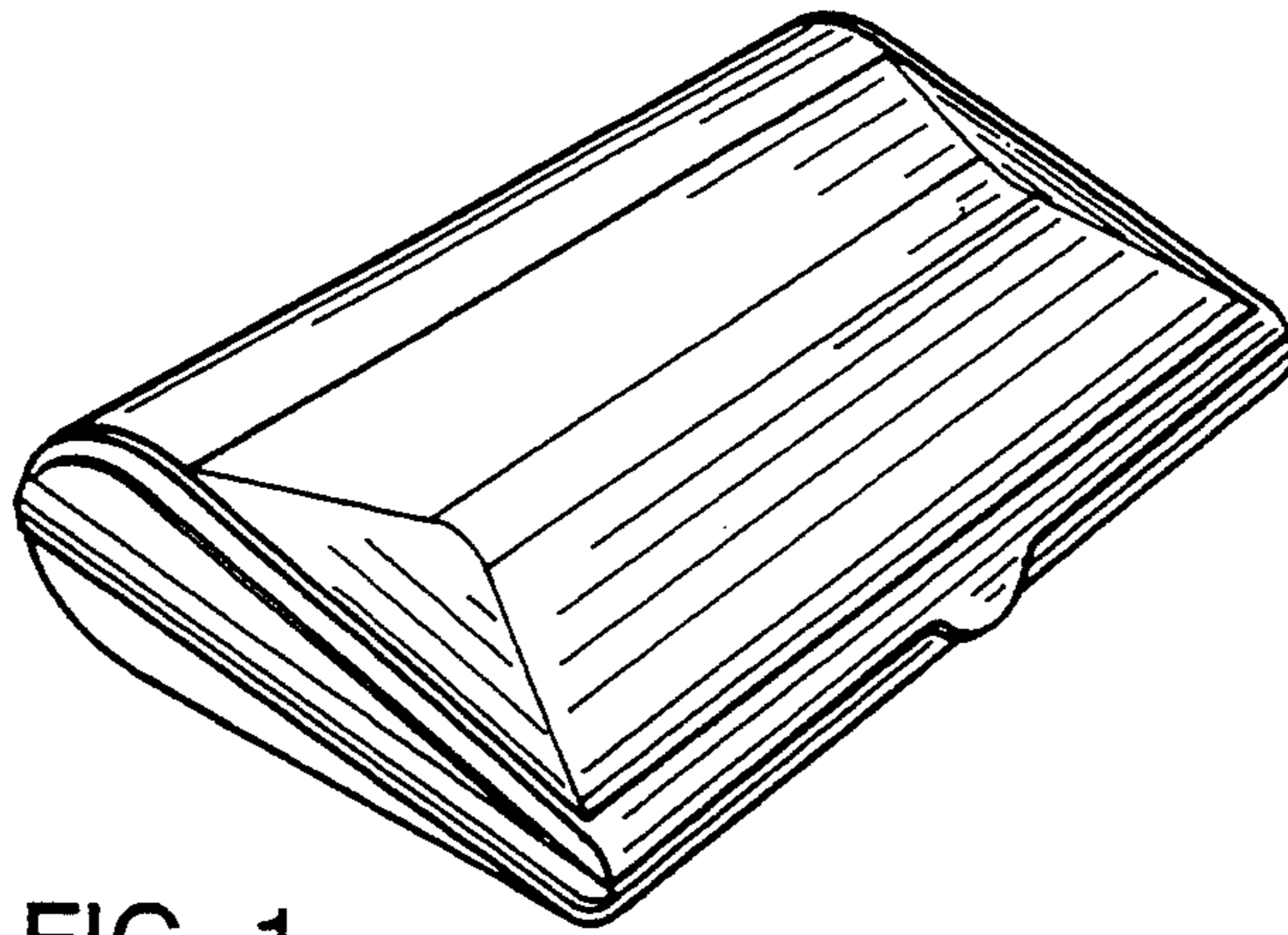


FIG. 1

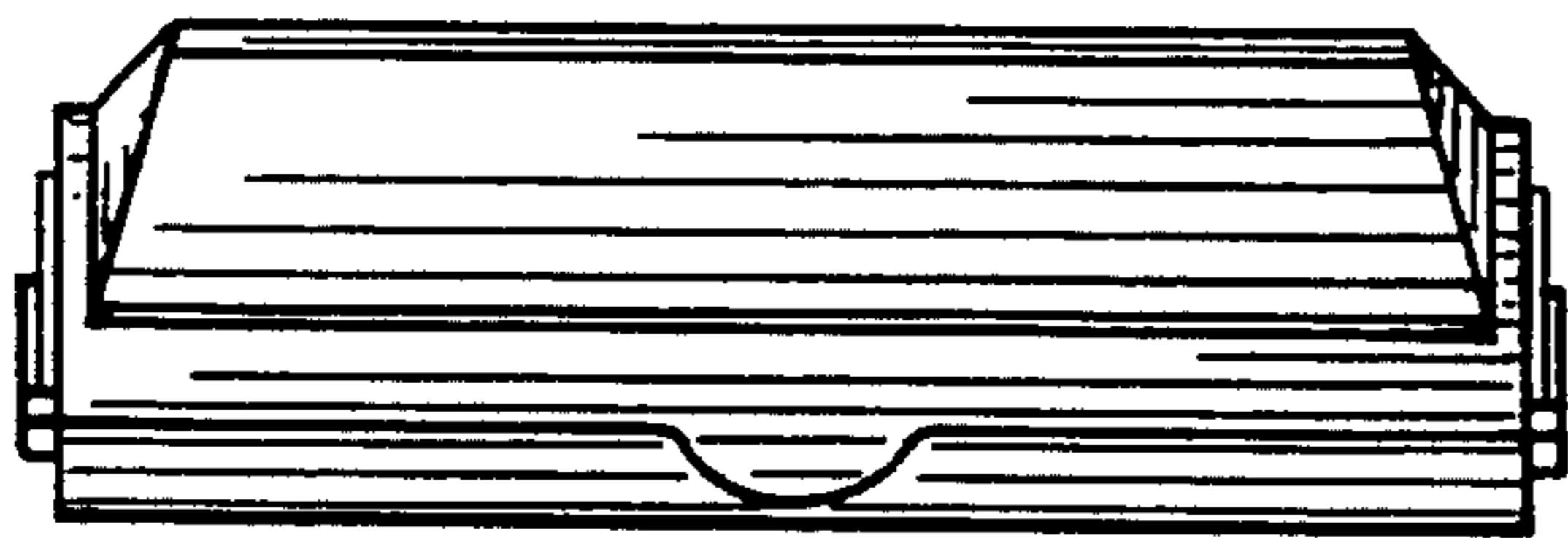


FIG. 2

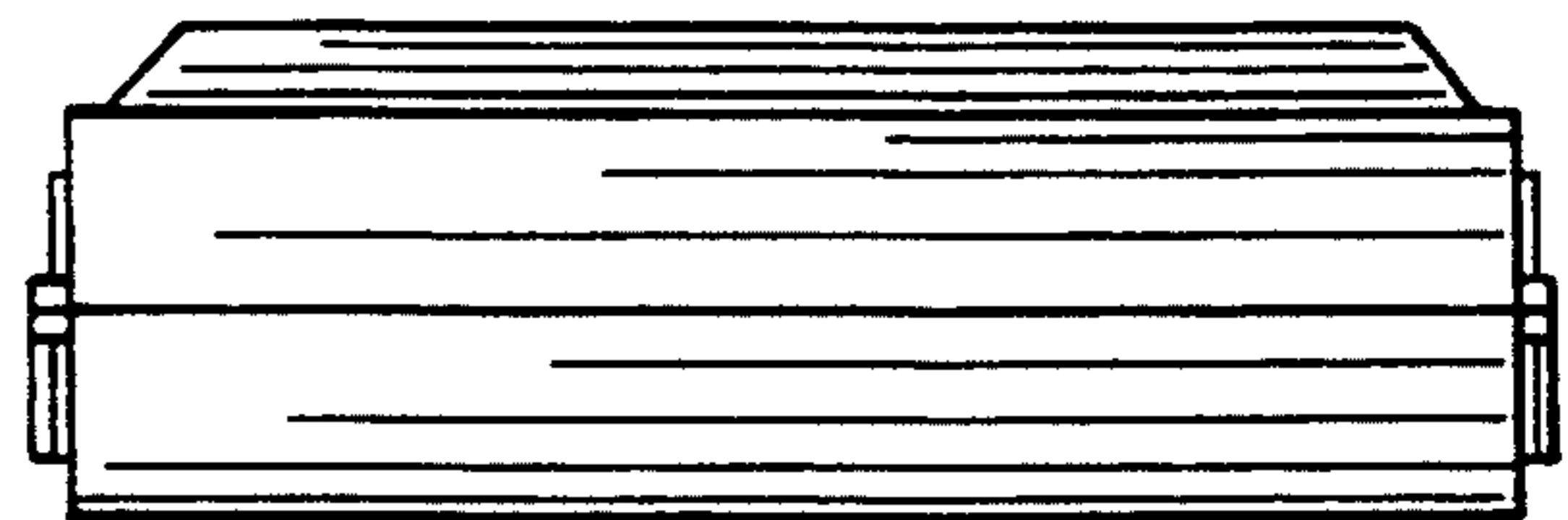


FIG. 3

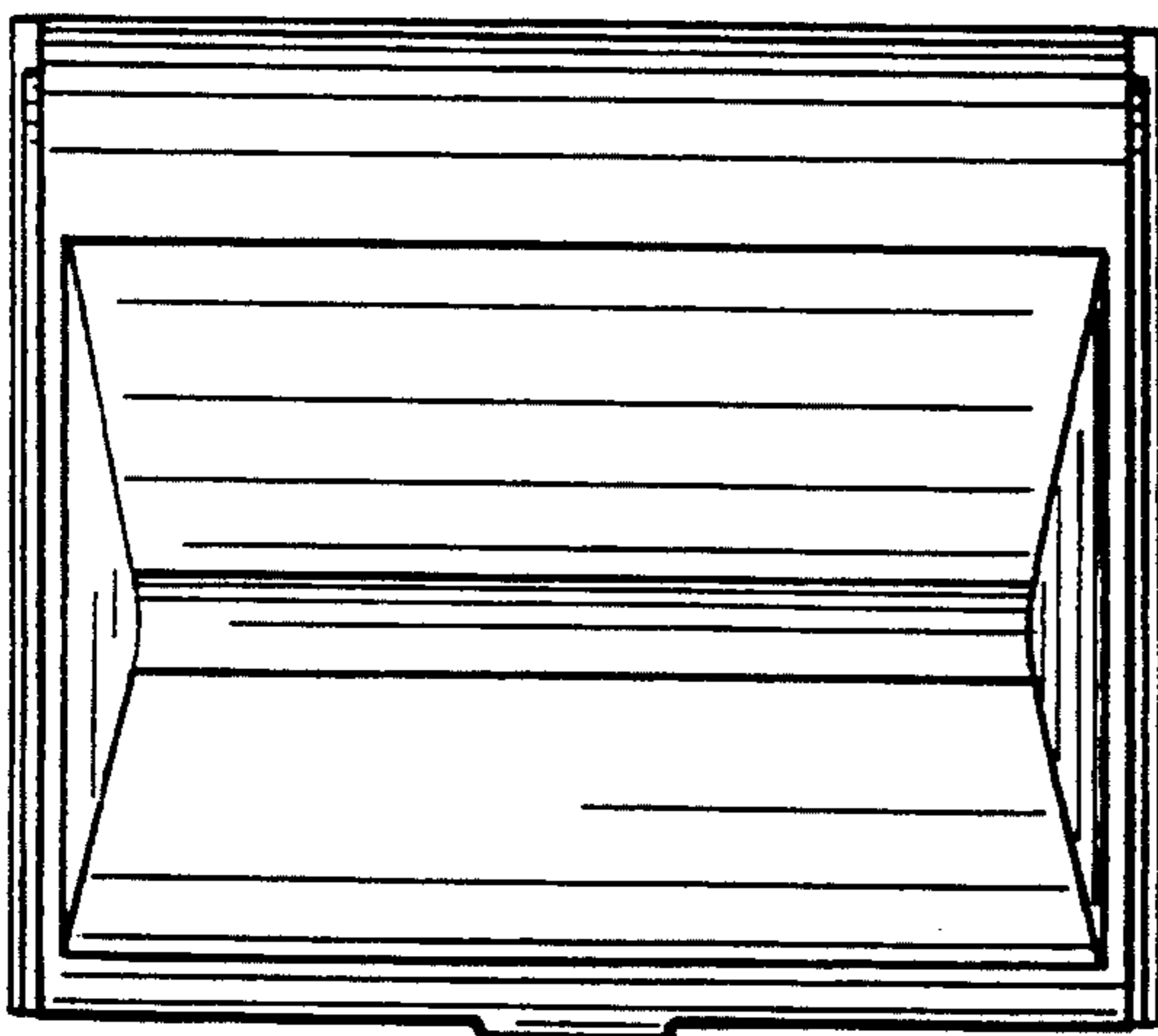


FIG. 4

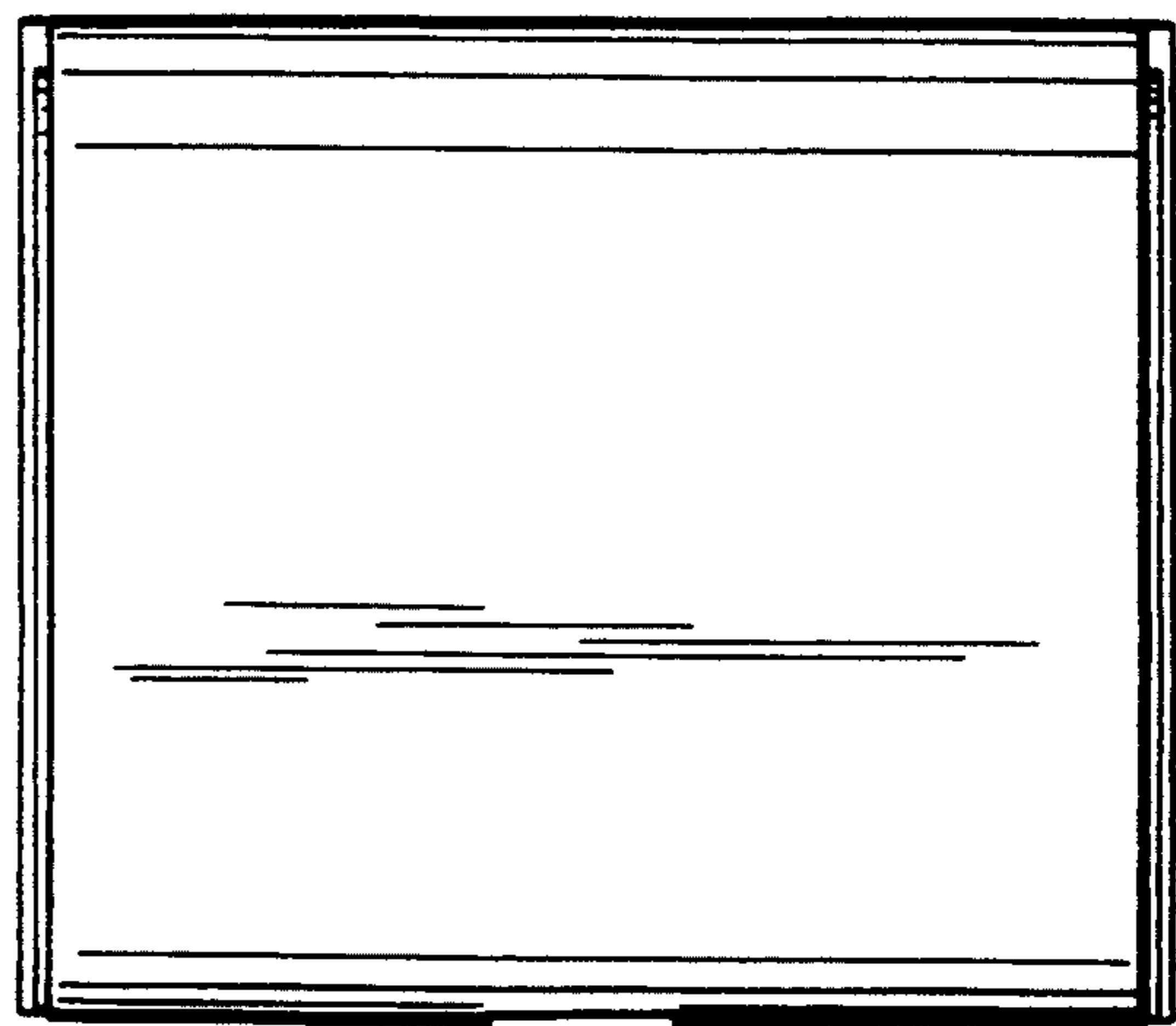


FIG. 5

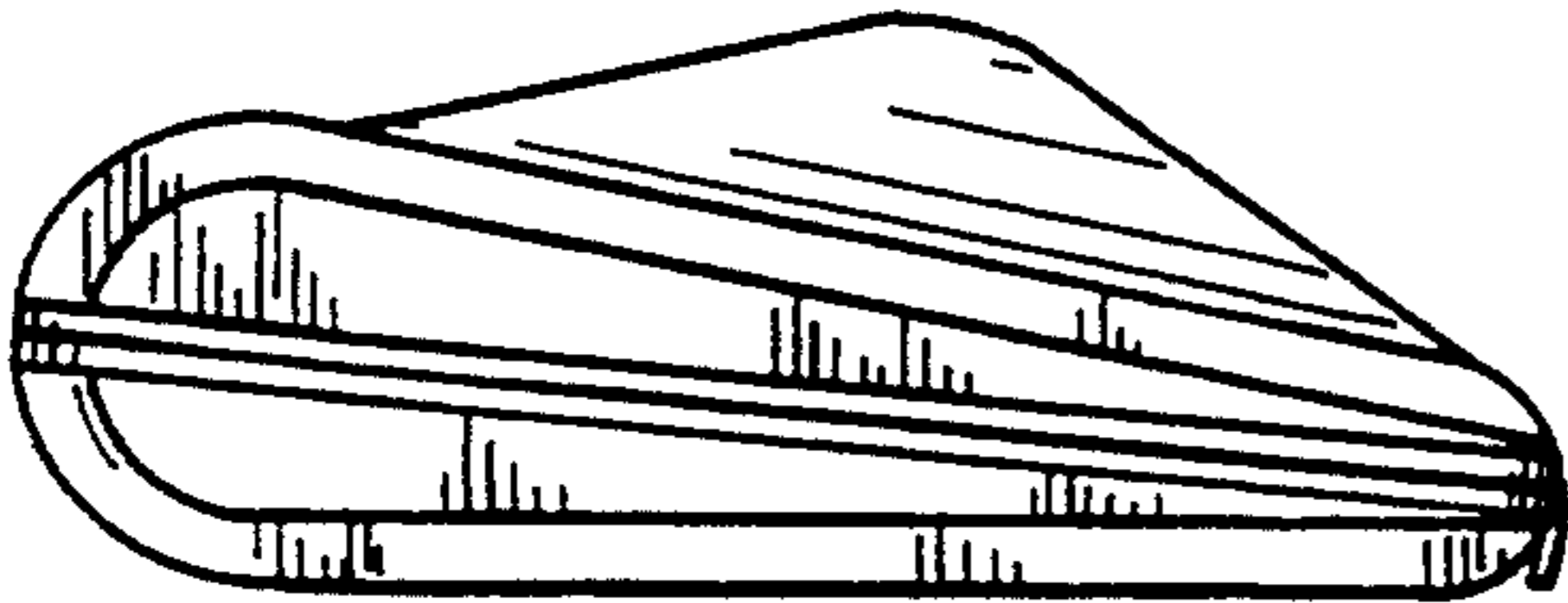


FIG. 7

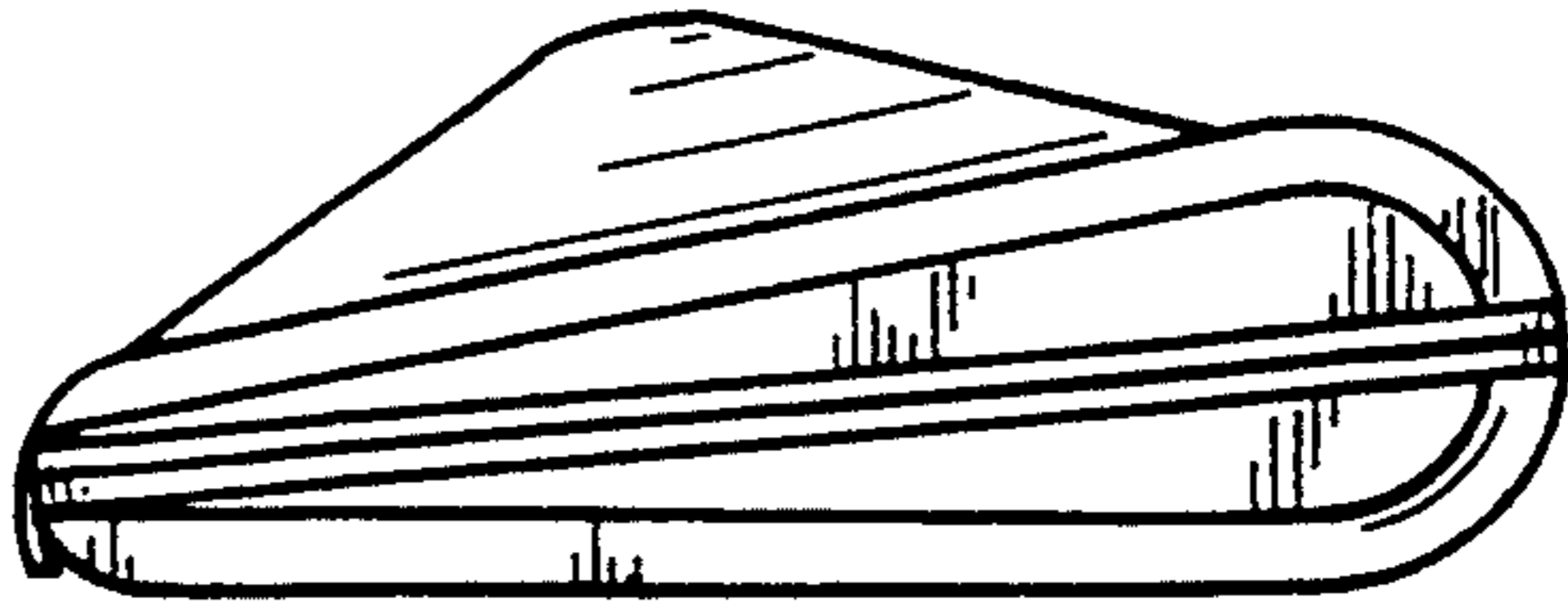


FIG. 6

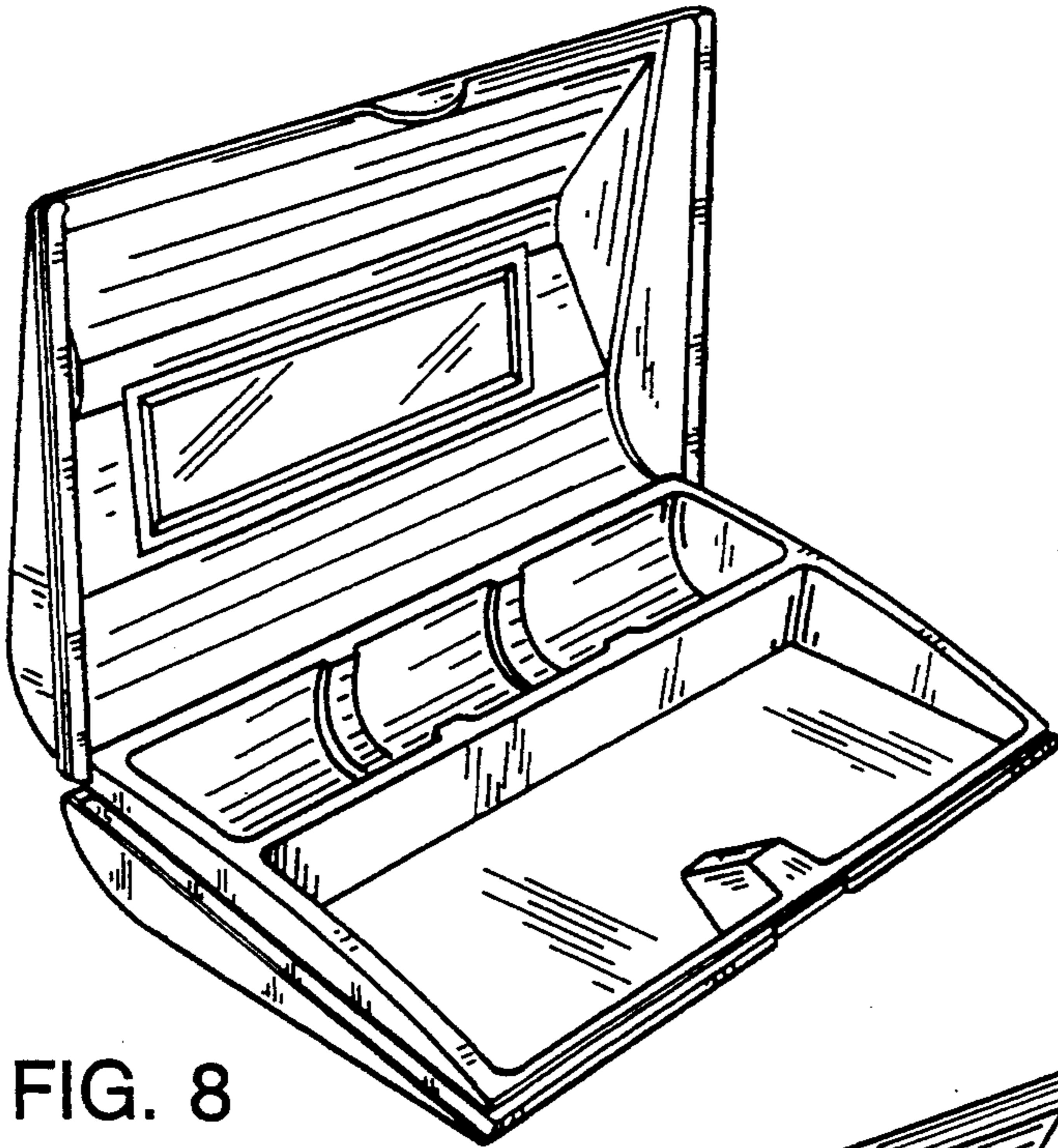


FIG. 8

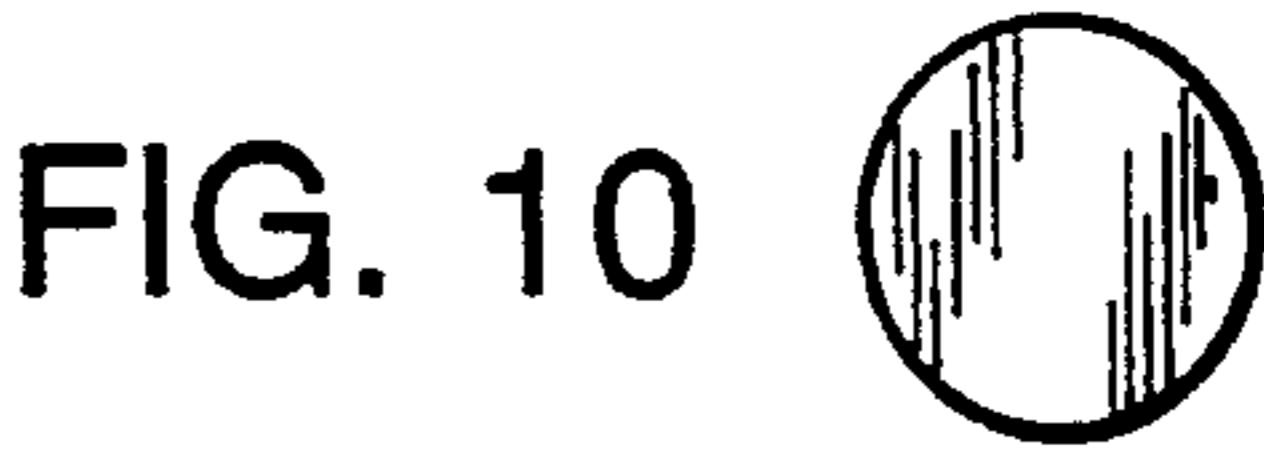


FIG. 10

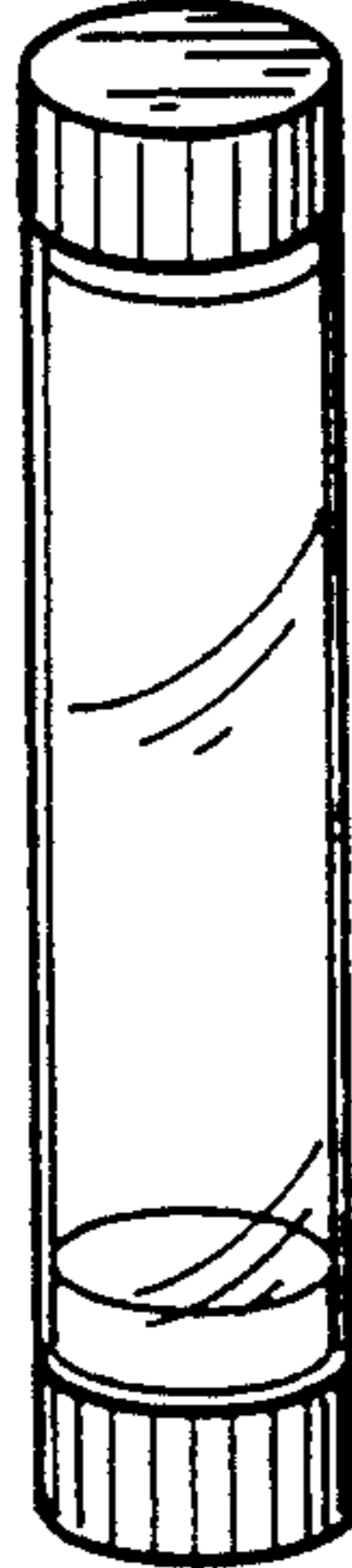


FIG. 11

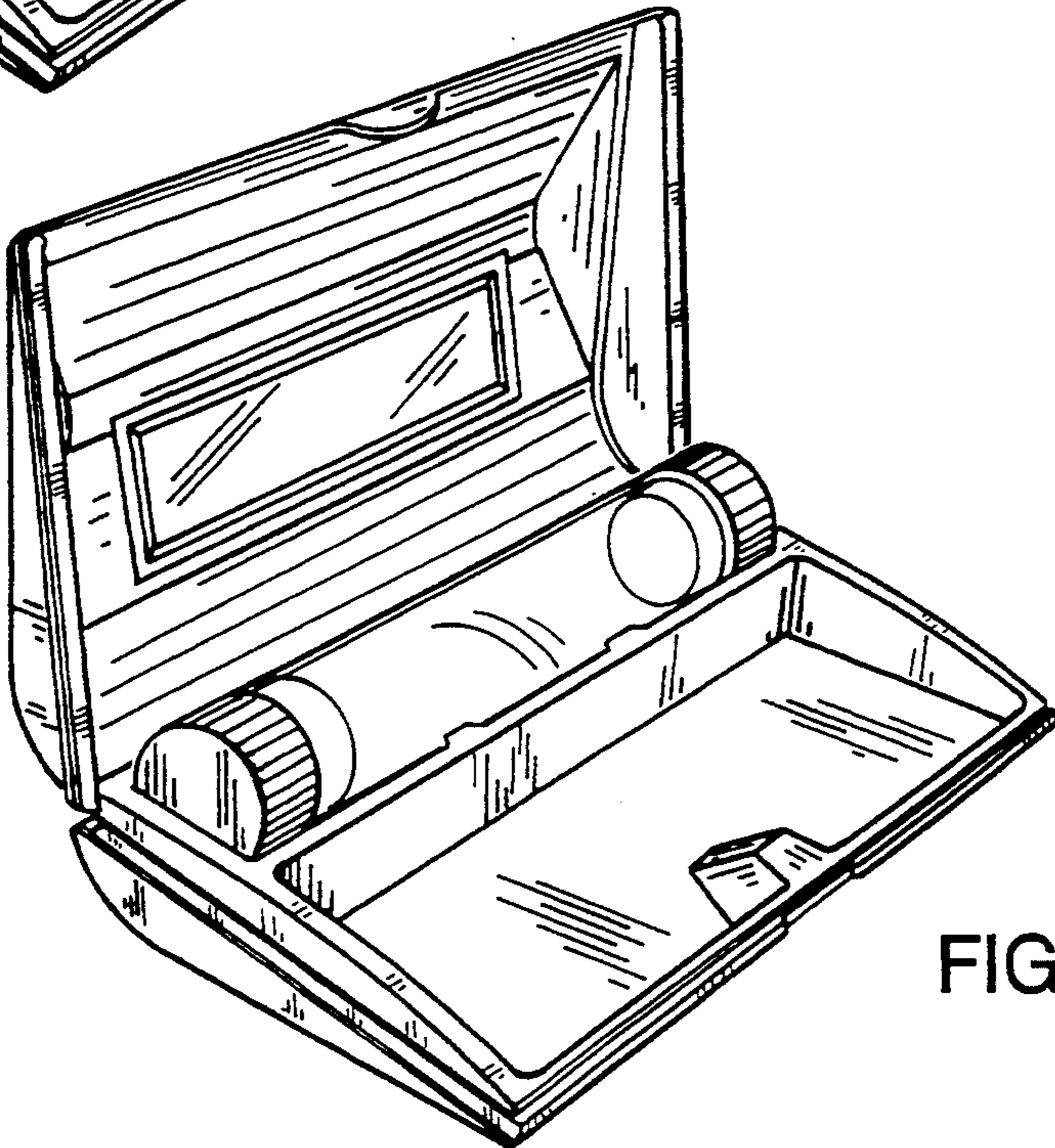


FIG. 9