



US00D353704S

United States Patent [19]

Bhambra

[11] Patent Number: Des. 353,704

[45] Date of Patent: ** Dec. 20, 1994

[54] FORK LIFT

[75] Inventor: **Randjit Bhambra**, Stuttgart, Germany

[73] Assignee: **Dr. Ing. h.c.f. Porsche AG**, Germany

[**] Term: **14 Years**

[21] Appl. No.: **849,699**

[22] Filed: **Mar. 10, 1992**

[30] **Foreign Application Priority Data**

Sep. 11, 1991 [DE] Germany 9106346

[52] U.S. Cl. **D34/37; D34/34**

[58] Field of Search **D34/28, 33, 34, 37**

[56] **References Cited**

U.S. PATENT DOCUMENTS

D. 257,432 10/1980 Erlacher D34/34

D. 338,764 8/1993 Euruta et al. D34/37

Primary Examiner—Kay H. Chin
Attorney, Agent, or Firm—Evenson, McKeown, Edwards & Lenahan

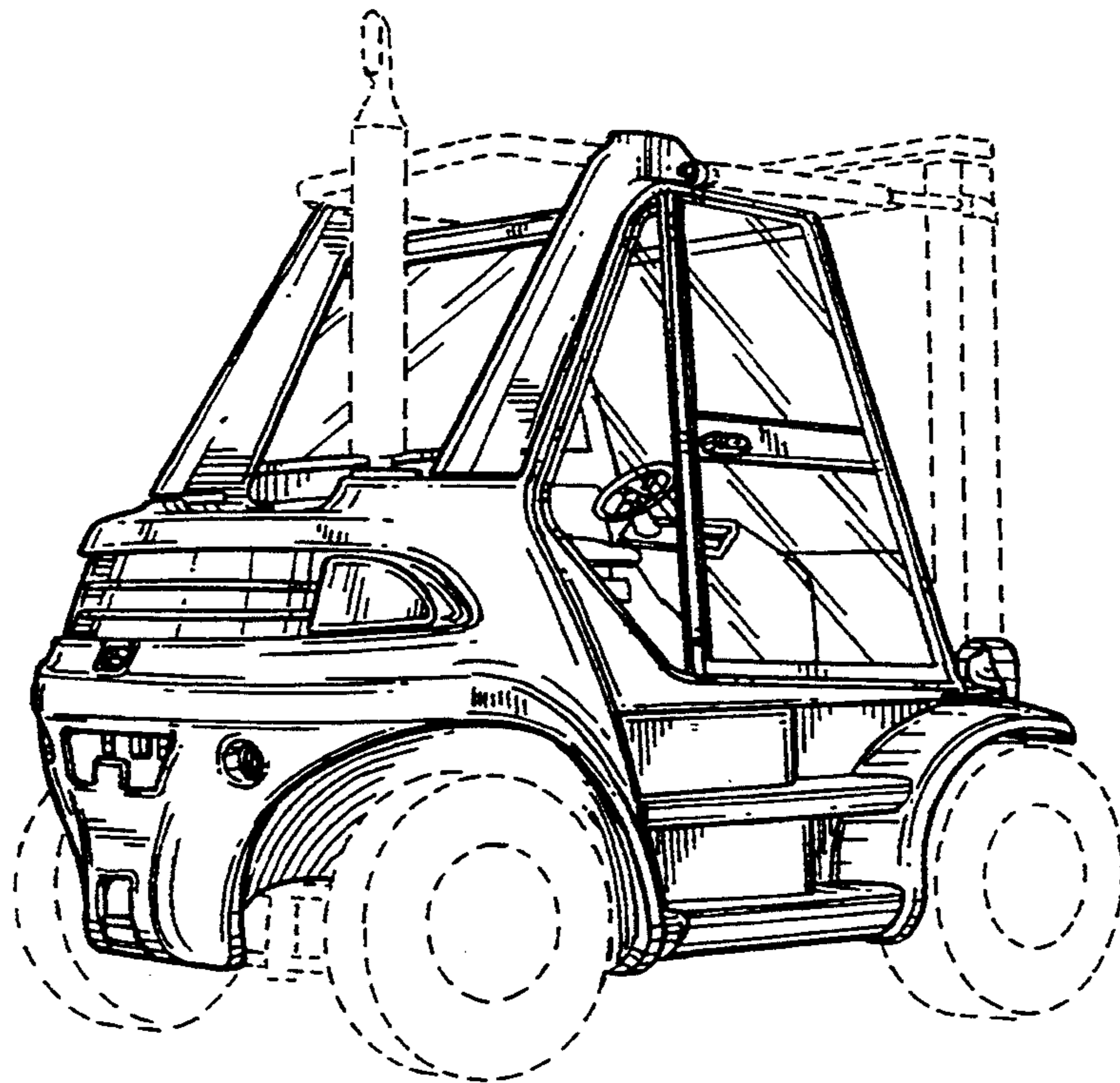
[57] **CLAIM**

The ornamental design for a fork lift, as shown and described.

DESCRIPTION

FIG. 1 is a rear elevational view of a fork lift showing my new design, the broken lines are for illustrative purposes only form no part of the claimed design; FIG. 2 is a left side elevational view thereof; FIG. 3 is a right side elevational view thereof; FIG. 4 is a right front perspective view thereof; FIG. 5 is a right rear perspective view thereof; and, FIG. 6 is a right rear perspective view of a second embodiment of the fork lift.

The front, rear and left side of the second embodiment being the same as the first embodiment.



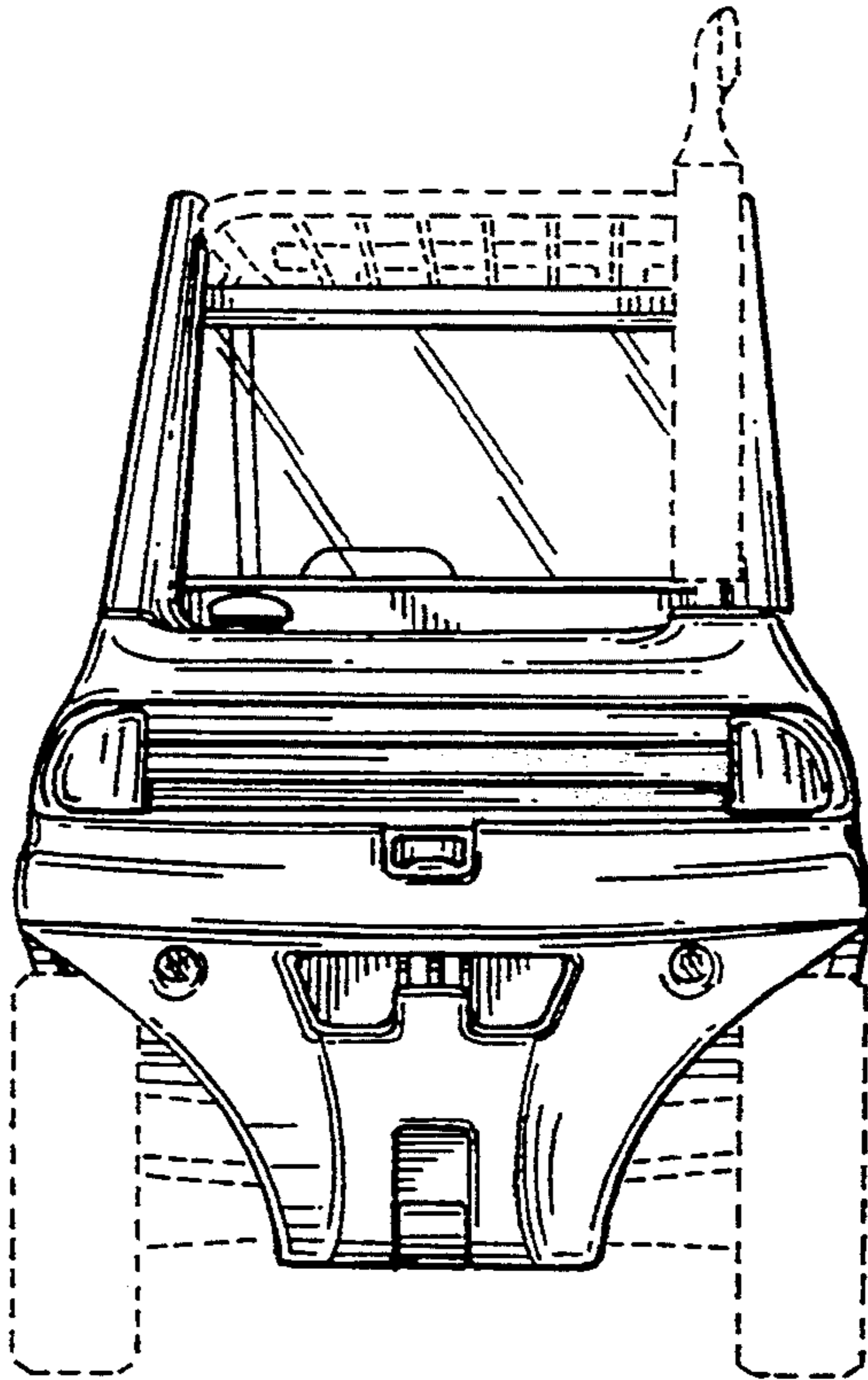


FIG. 1

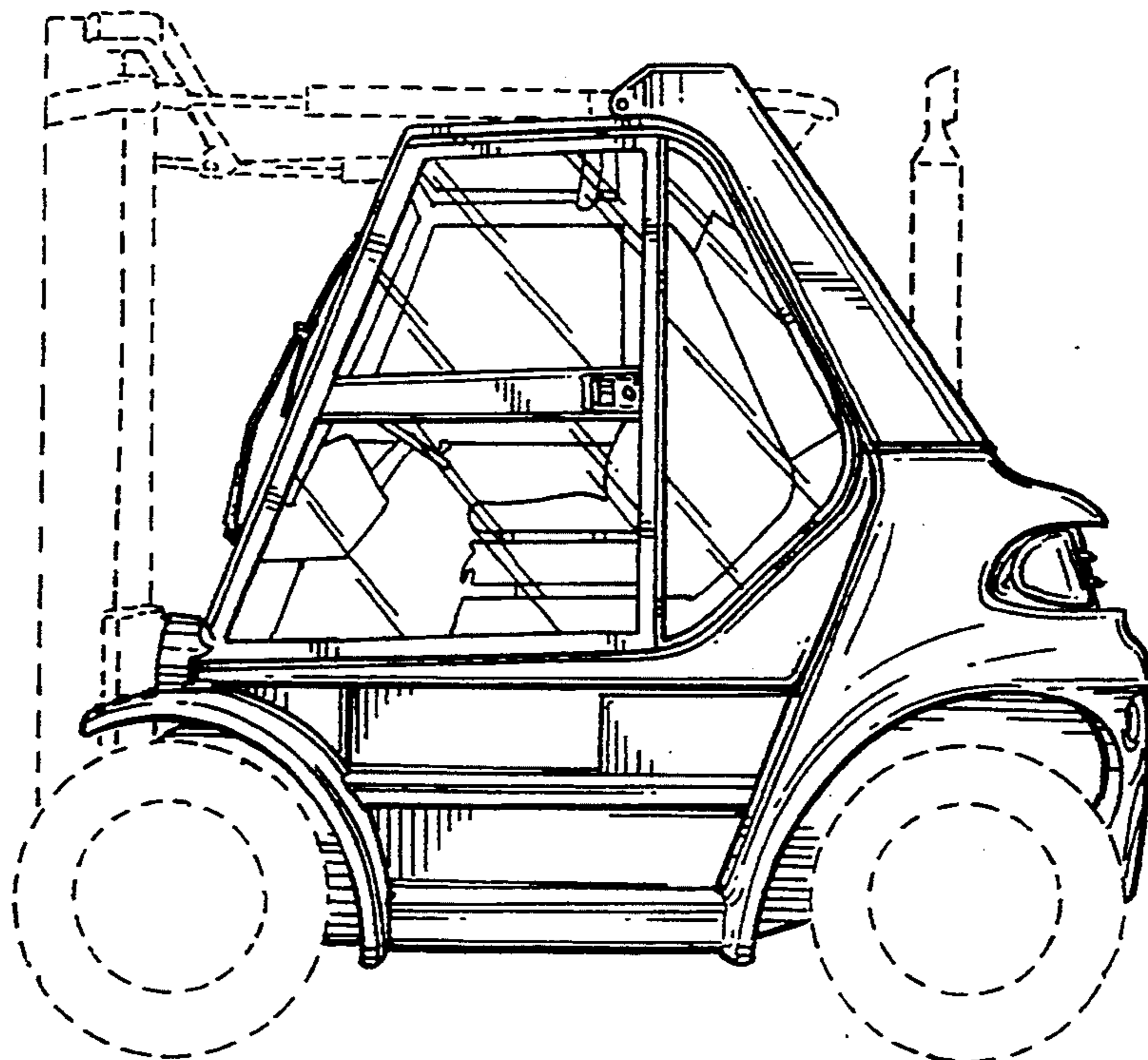


FIG. 2

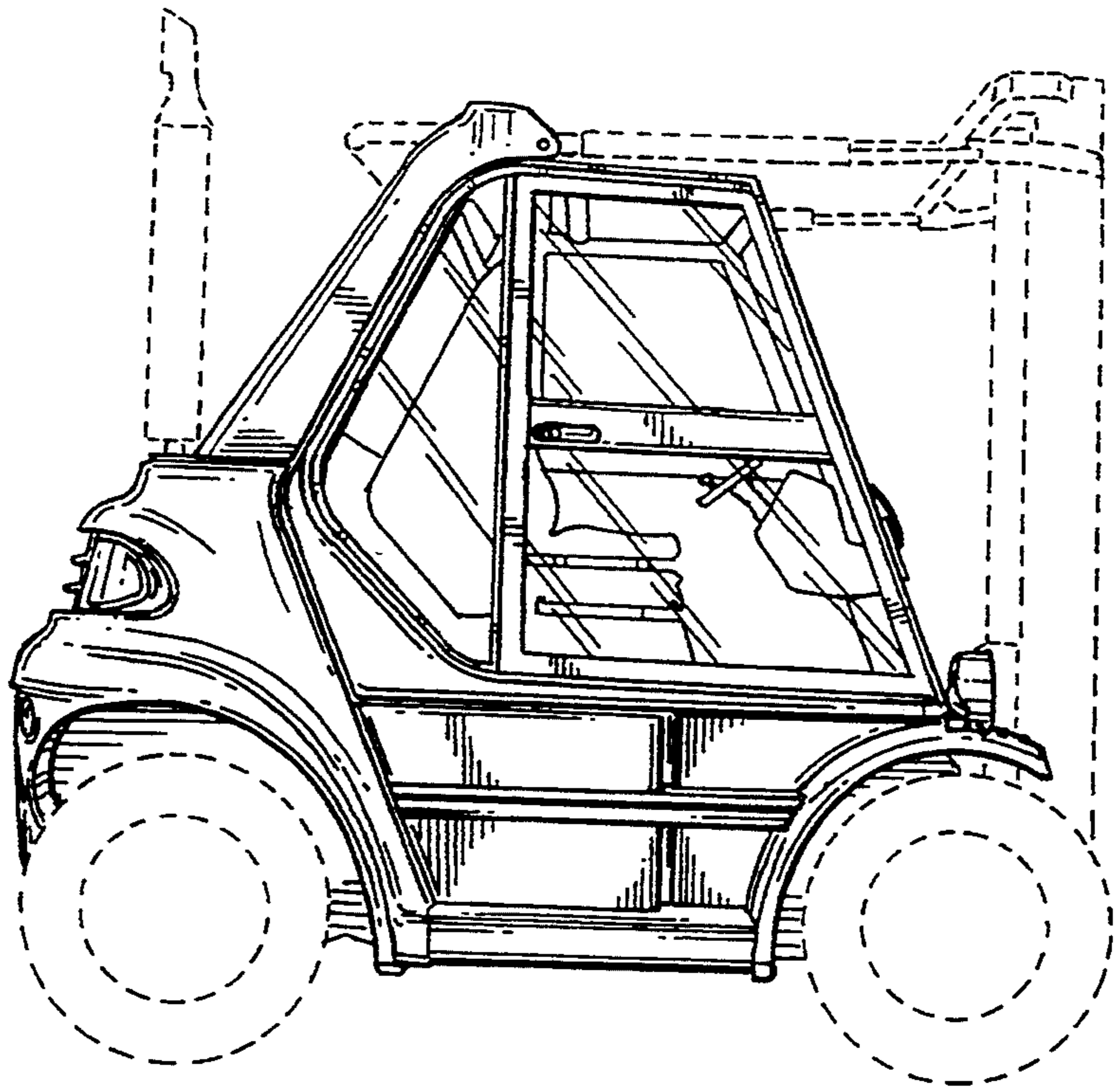


FIG. 3

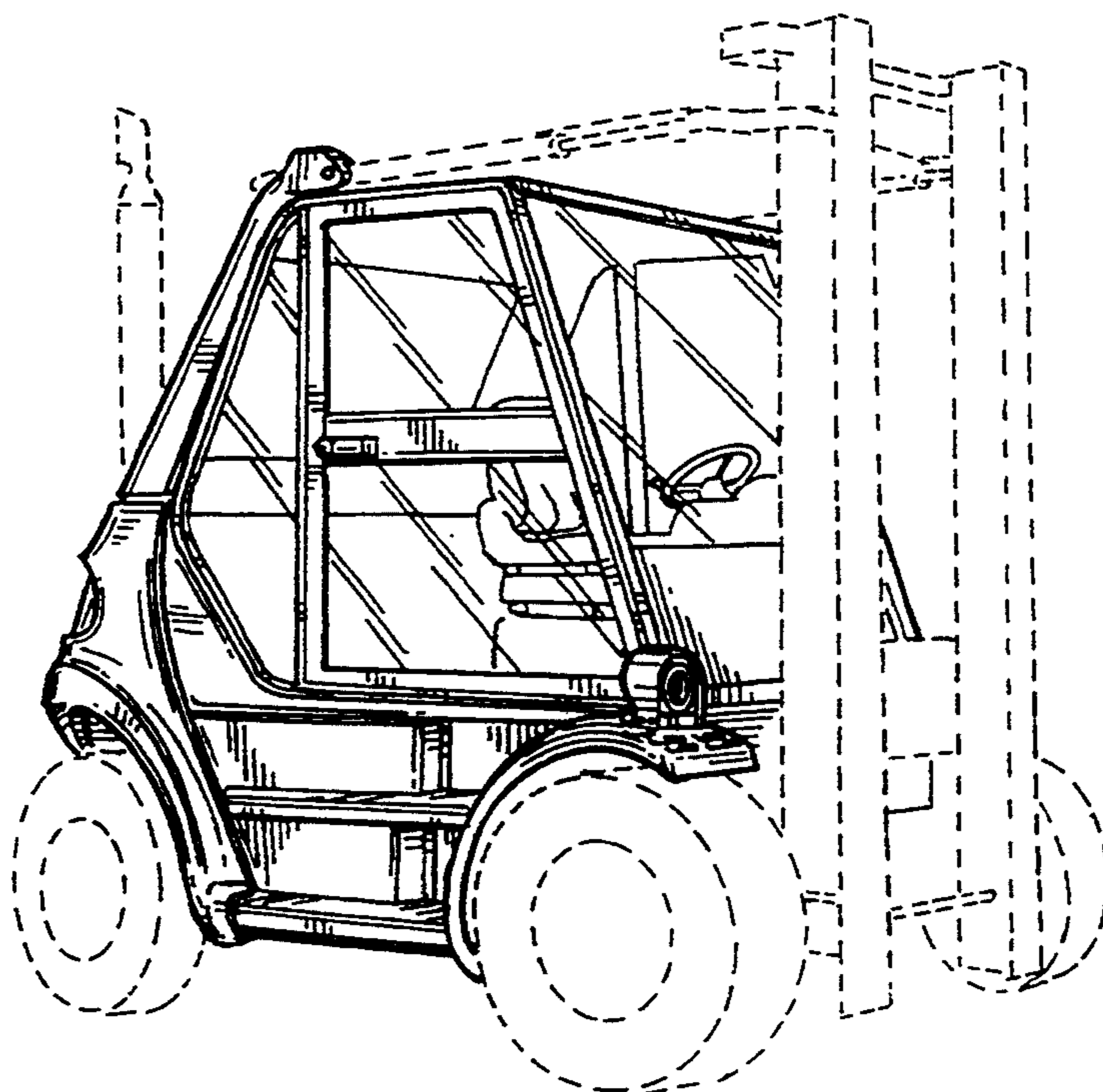


FIG. 4

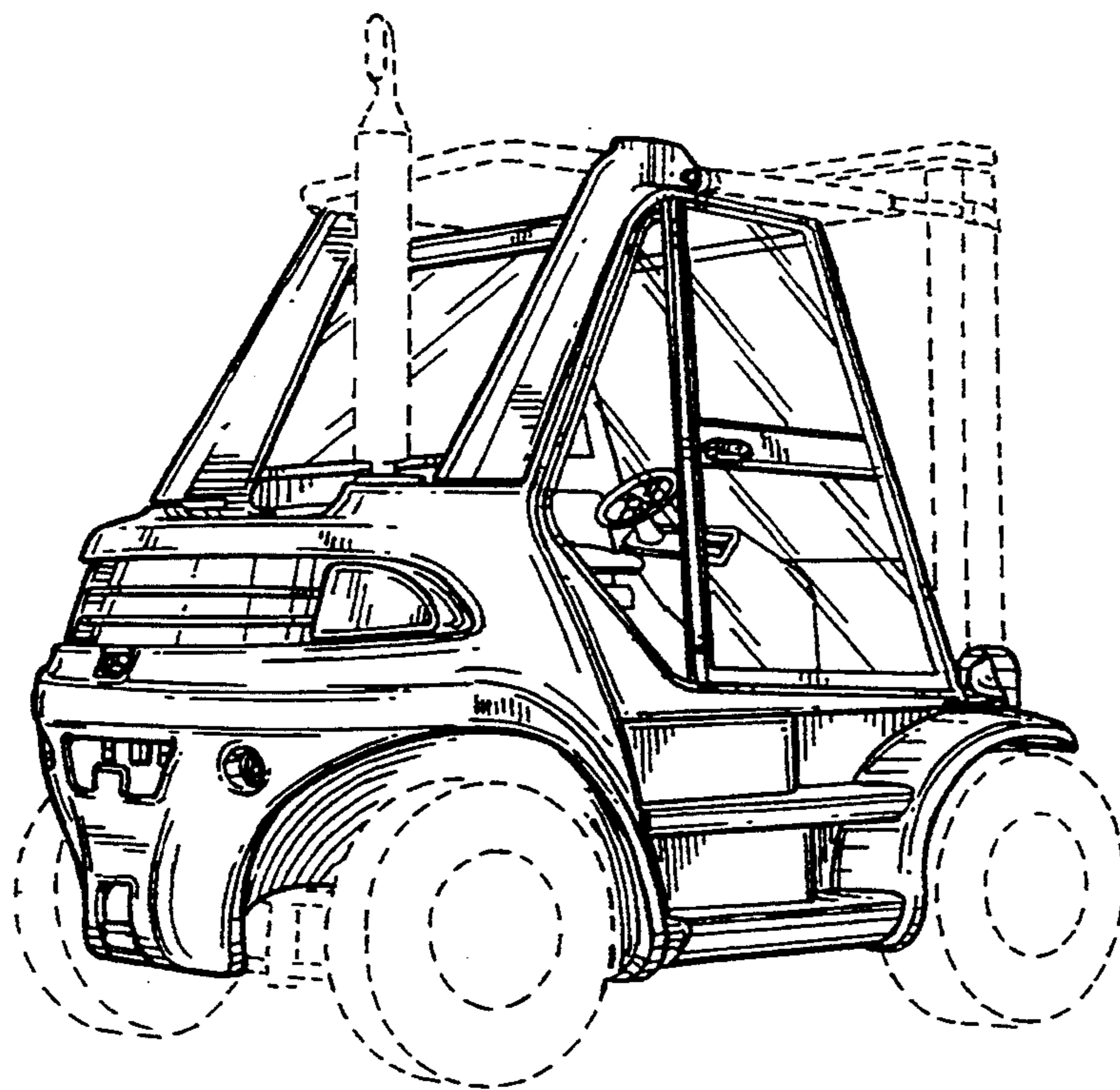


FIG. 5

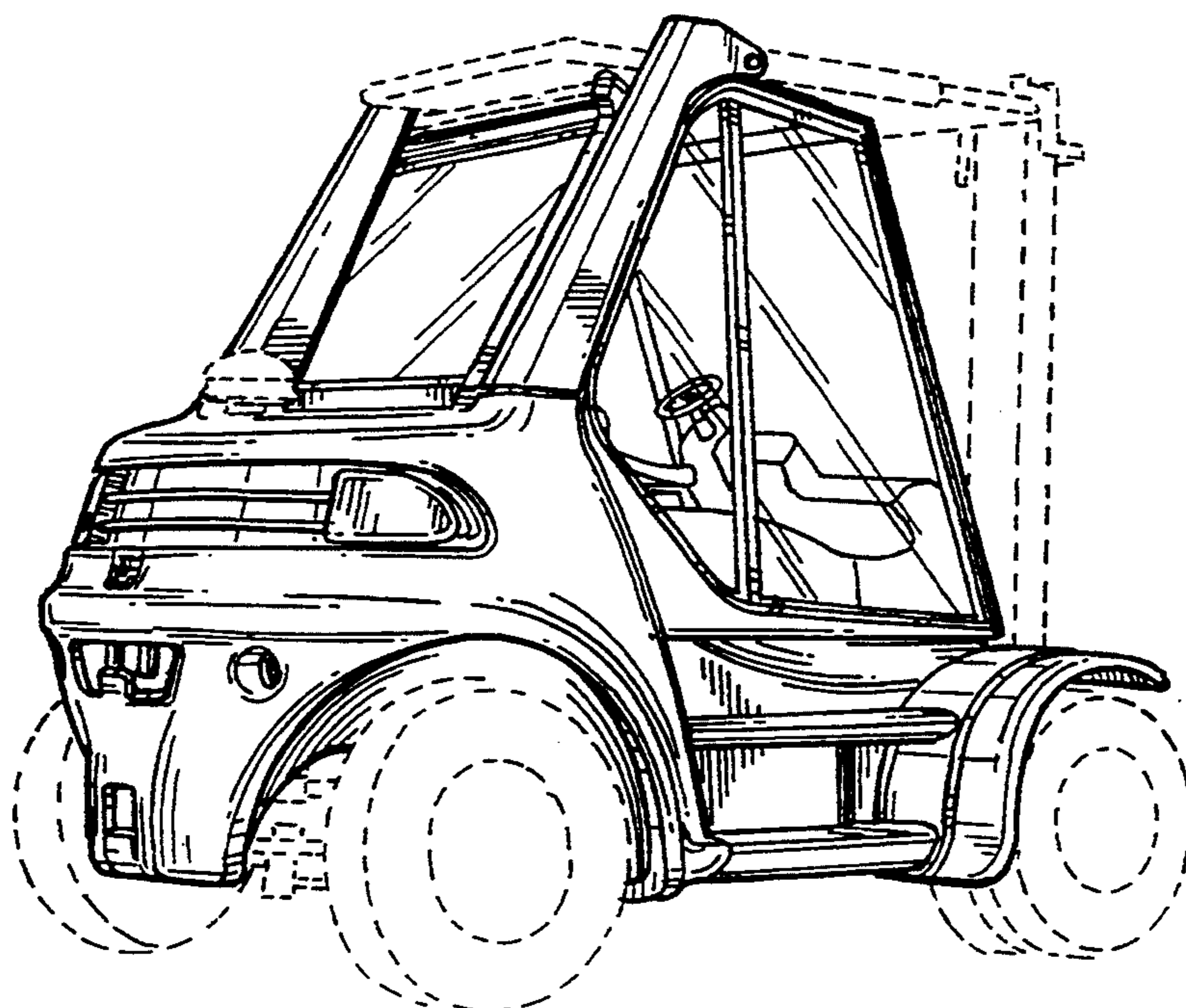


FIG. 6