



US00D353702S

United States Patent [19]

[11] Patent Number: **Des. 353,702**

Martinez et al.

[45] Date of Patent: **** Dec. 20, 1994**

[54] **ADJUSTABLE ROLLER KNEE PAD**

2,069,476	2/1937	Keil	155/167
2,318,059	5/1943	Cooper	280/32.5
2,448,427	8/1948	Gordon	155/167
2,971,769	2/1961	Grablis	280/79.1
4,491,193	1/1985	Moss	182/230
4,789,046	12/1988	McDowall	182/230

[76] Inventors: **Luis Martinez**, 12225 N.W. 2nd Pl., Coral Springs, Fla. 33307; **Gustavo Zubero**, 280 SE. 5th Ave., Pompano Beach, Fla. 33060

[**] Term: **14 Years**

Primary Examiner—Kay H. Chin

[21] Appl. No.: **16,455**

[57] **CLAIM**

[22] Filed: **Dec. 17, 1993**

The ornamental design for an adjustable roller knee pad, as shown and described.

[52] U.S. Cl. **D34/23; D34/12**

DESCRIPTION

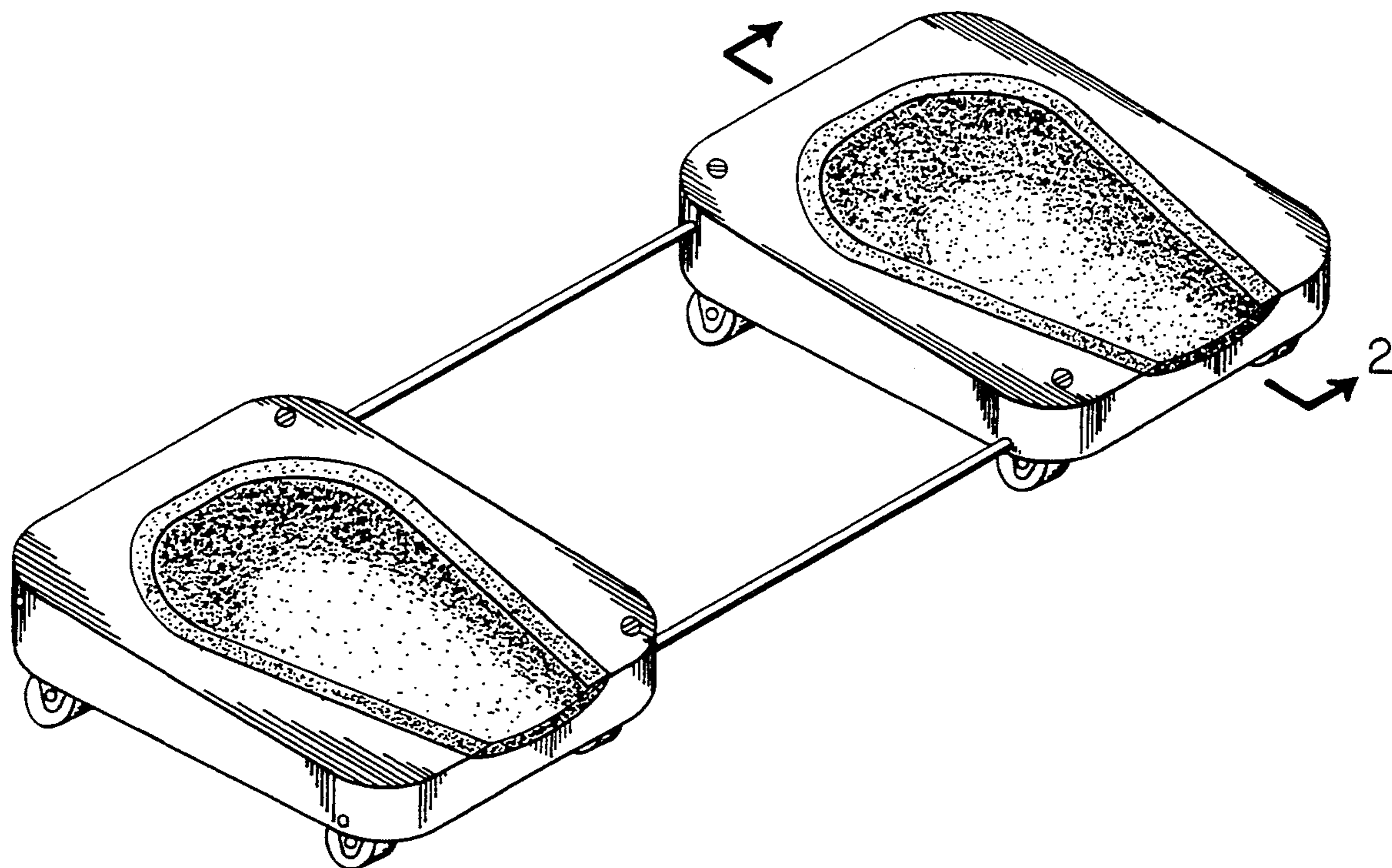
[58] Field of Search 280/79.11, 32, 5; D34/12, 23

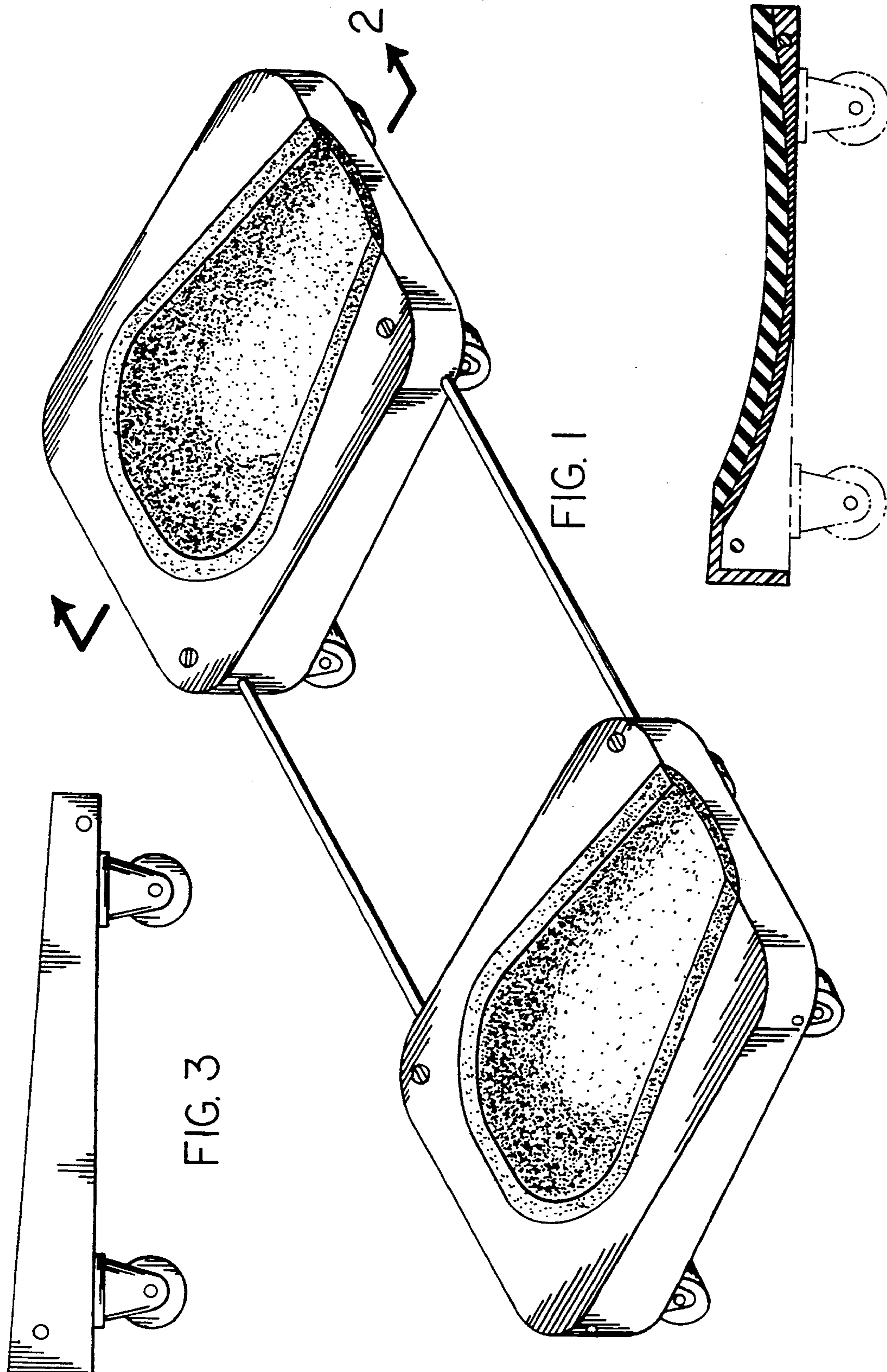
FIG. 1 is an overall isometric view of an assembled adjustable roller knee pad;
 FIG. 2 is a cross-sectional view taken along the line 2—2 of FIG. 1;
 FIG. 3 is a side elevational view thereof;
 FIG. 4 is a top plan view thereof;
 FIG. 5 is a front elevational view thereof;
 FIG. 6 is a bottom plan view thereof; and,
 FIG. 7 is a back elevational view thereof.

[56] **References Cited**

U.S. PATENT DOCUMENTS

D. 330,957	11/1992	Contrini	D34/23
1,454,401	5/1923	O'Neill .	
1,976,170	10/1934	Hoover et al.	155/167
2,010,987	8/1935	Hammer	155/167





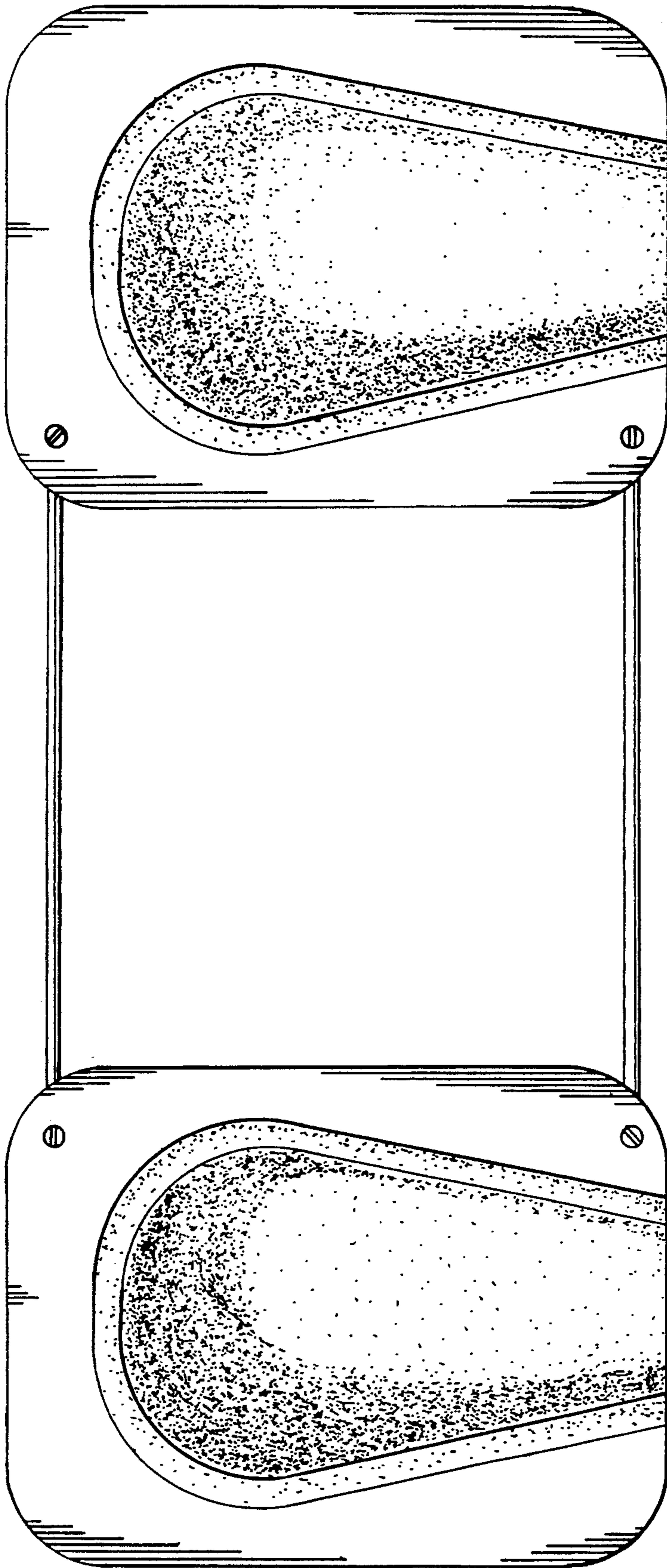


FIG. 4

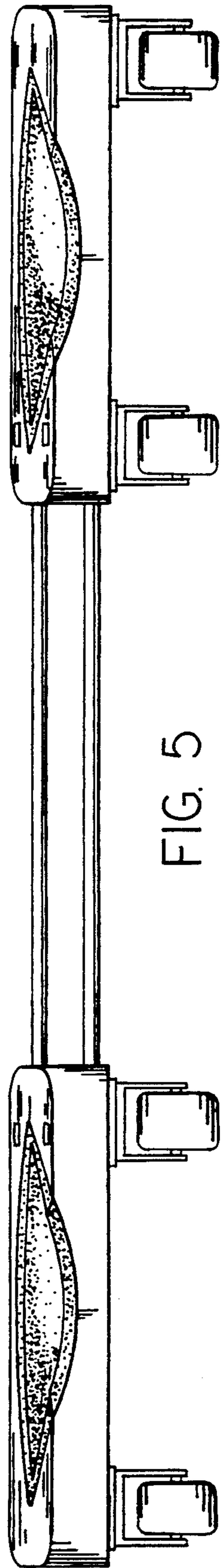


FIG. 5

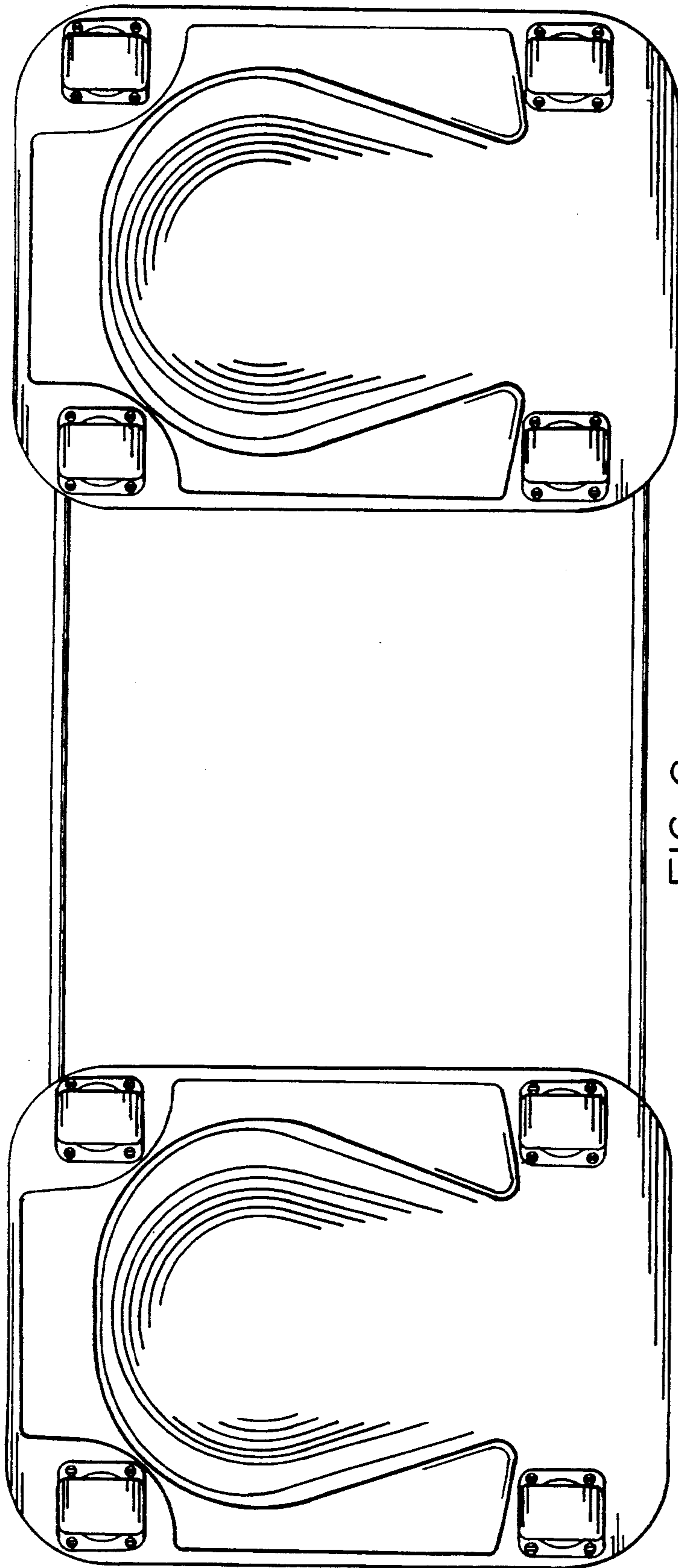


FIG. 6

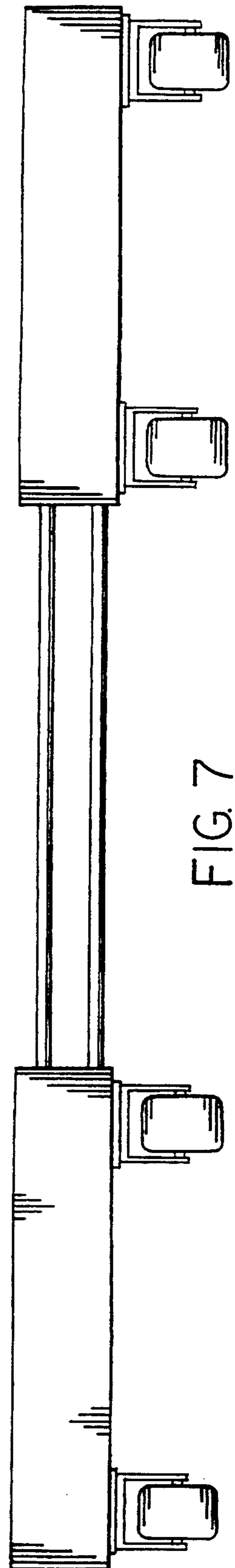


FIG. 7