



US00D353701S

# United States Patent [19]

[11] Patent Number: **Des. 353,701**

Beavers et al.

[45] Date of Patent: **\*\* Dec. 20, 1994**

[54] **PORTABLE RAMP**

5,001,798 3/1991 Hamilton ..... 254/88  
5,104,281 4/1992 Corvt ..... 254/88

[76] Inventors: **Allan E. Beavers**, 638 S. Surrey Ct.,  
Grand Junction, Colo. 81501; **Robert  
A. Fulcher**, 3329 N. Ridge Dr.,  
Grand Junction, Colo. 81506

*Primary Examiner*—Kay H. Chin  
*Attorney, Agent, or Firm*—Donald W. Erickson

[\*\*] Term: **14 Years**

[57] **CLAIM**

[21] Appl. No.: **6,298**

The ornamental design for a portable ramp, as shown  
and described.

[22] Filed: **Mar. 25, 1993**

### DESCRIPTION

[52] U.S. Cl. .... **D34/32; D34/28**

[58] Field of Search ..... 254/88; D34/28, 32

FIG. 1 is a top plan view of the portable ramp showing  
our new design, portions of the ramp are shown broken  
away to indicate indeterminate length;

[56] **References Cited**

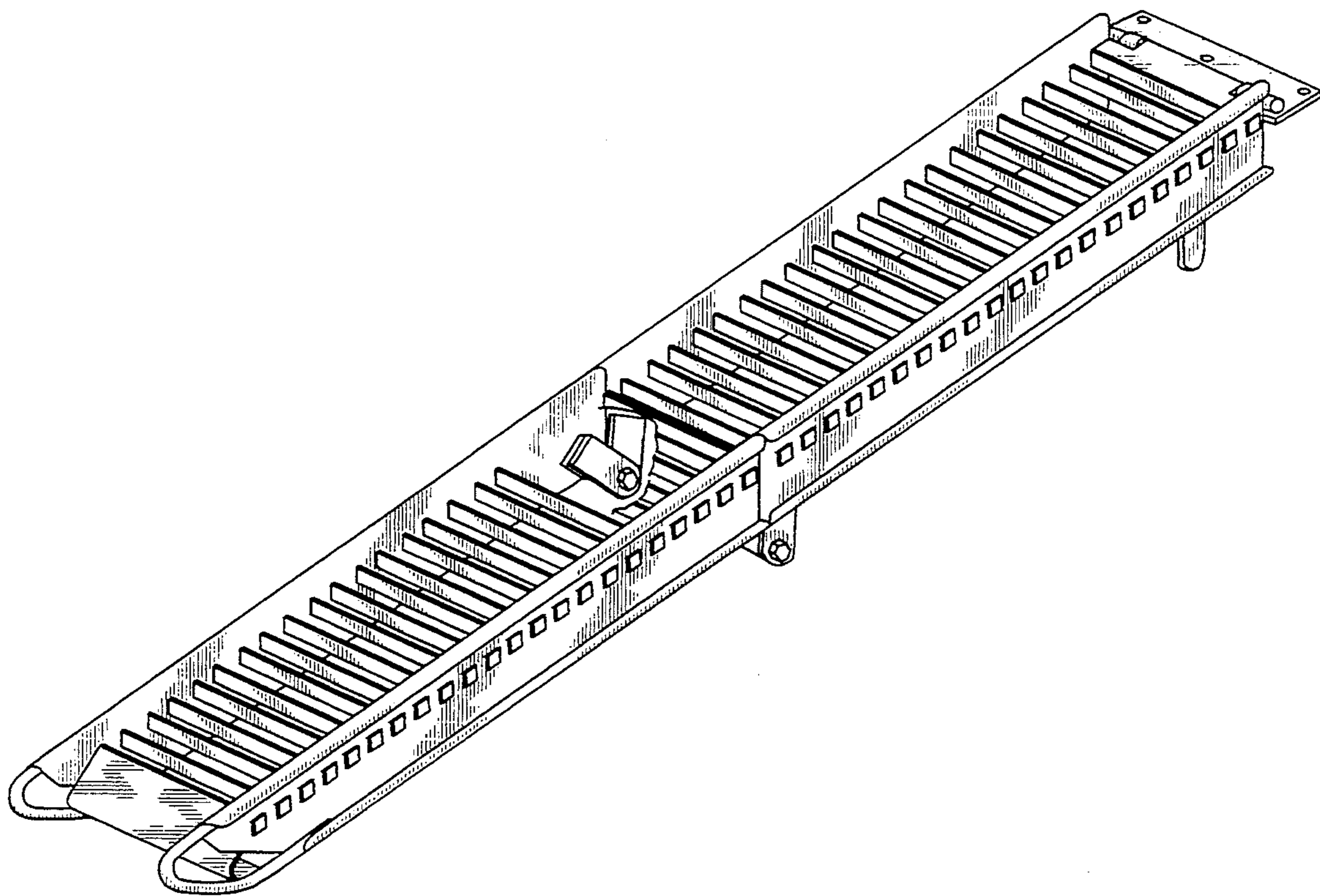
#### U.S. PATENT DOCUMENTS

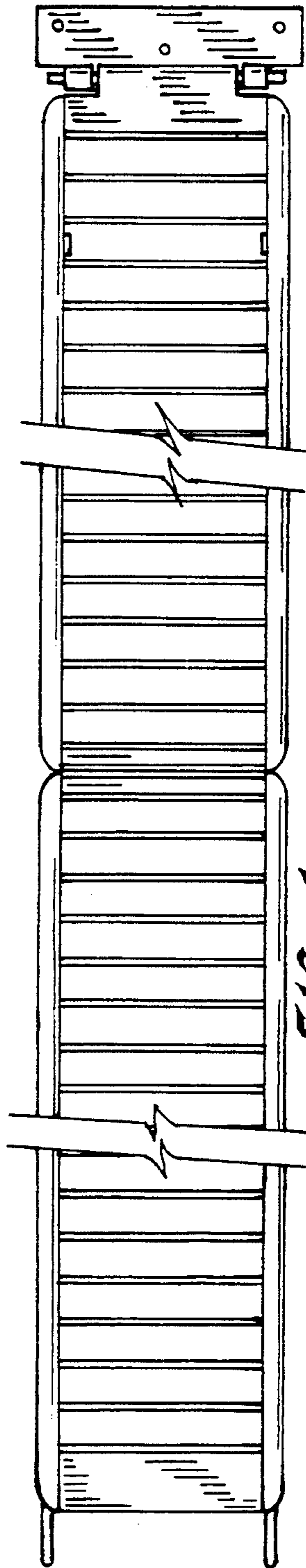
D. 338,760 8/1993 Harrah ..... D34/32  
4,668,002 5/1987 Hanson ..... D34/32  
4,990,049 2/1991 Hargrove ..... 414/537

FIG. 2 is a side elevational view thereof, the opposite  
side elevational view being a mirror image of that  
shown;

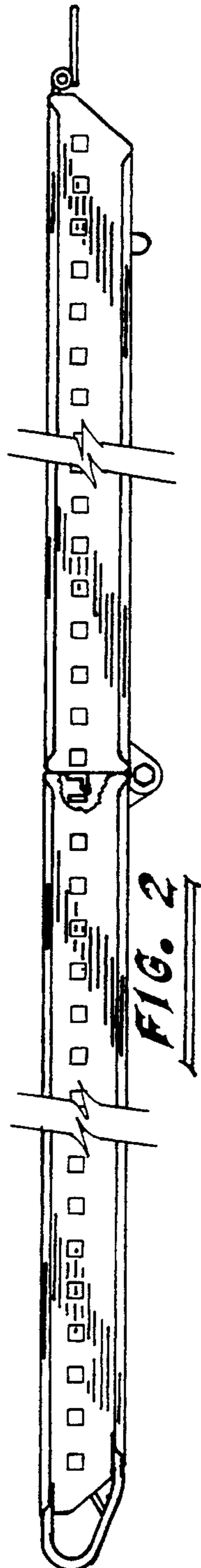
FIG. 3 is a bottom plan view thereof; and,

FIG. 4 is a perspective view thereof.

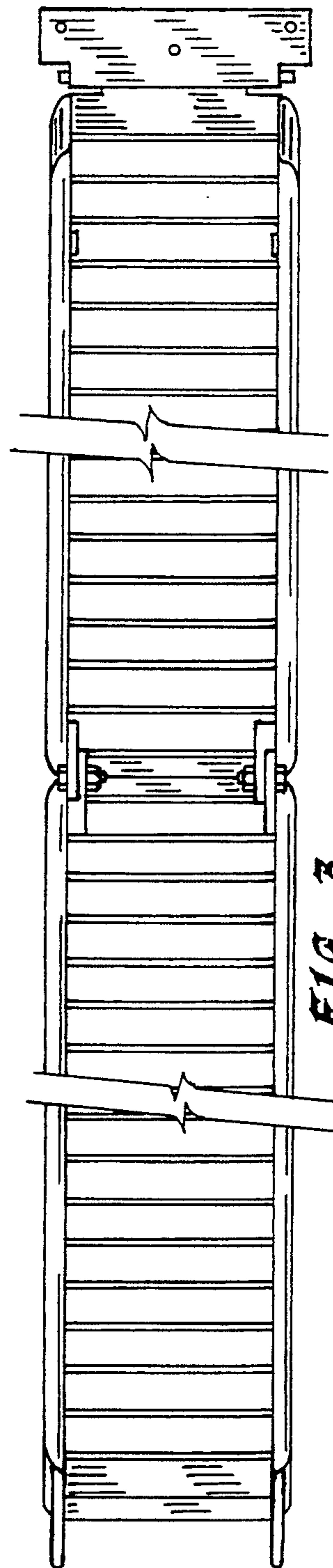




**FIG. 1**



**FIG. 2**



**FIG. 3**

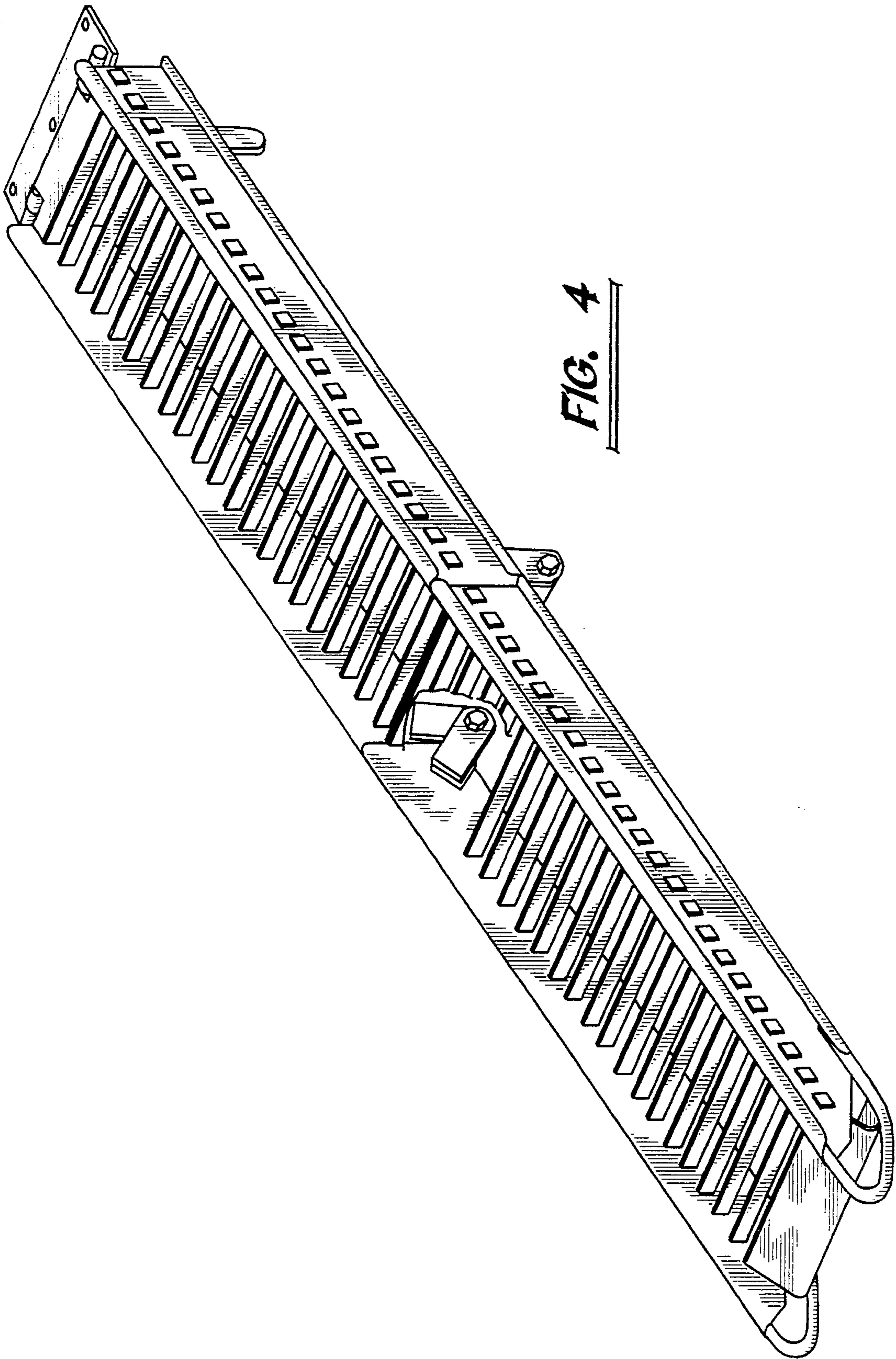


FIG. 4