



US00D353700S

United States Patent [19]

[11] Patent Number: **Des. 353,700**

Wu

[45] Date of Patent: **** Dec. 20, 1994**

[54] **GOLF CART HANDLEBAR WITH SCOREBOARD**

[56] **References Cited**

U.S. PATENT DOCUMENTS

D. 331,652 12/1992 Wu D34/27

[76] Inventor: **Ching-Chang Wu**, No. 35-1, Jih Hsin Street, Tu Cheng Hsiang, Taipei Hsien, Taiwan, Prov. of China

Primary Examiner—Kay H. Chin
Attorney, Agent, or Firm—Varndell Legal Group

[**] Term: **14 Years**

[57] **CLAIM**

The ornamental design for a golf cart handlebar with scoreboard, as shown and described.

[21] Appl. No.: **8,127**

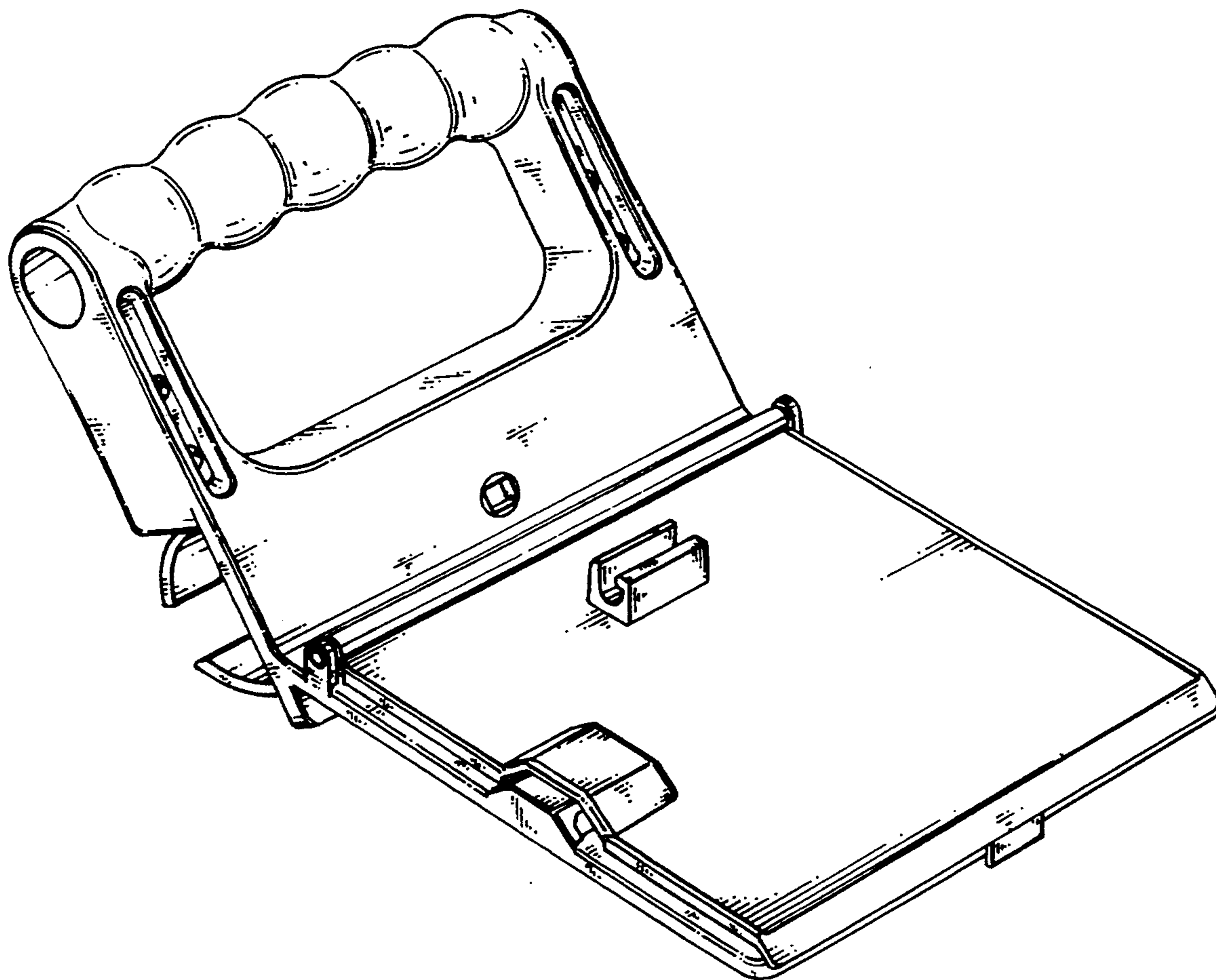
DESCRIPTION

[22] Filed: **May 10, 1993**

[52] U.S. Cl. **D34/27; D34/15**

[58] Field of Search **D8/10; 280/DIG. 6, DIG. 5, 280/646; D34/27, 15; D21/234**

FIG. 1 is a perspective view of a golf cart handlebar with scoreboard showing my new design; FIG. 2 is a top plan view thereof; FIG. 3 is a front elevational view thereof; FIG. 4 is a rear elevational view thereof; FIG. 5 is a bottom plan view thereof; FIG. 6 is a left side elevational view thereof; and, FIG. 7 is a right side elevational view thereof.



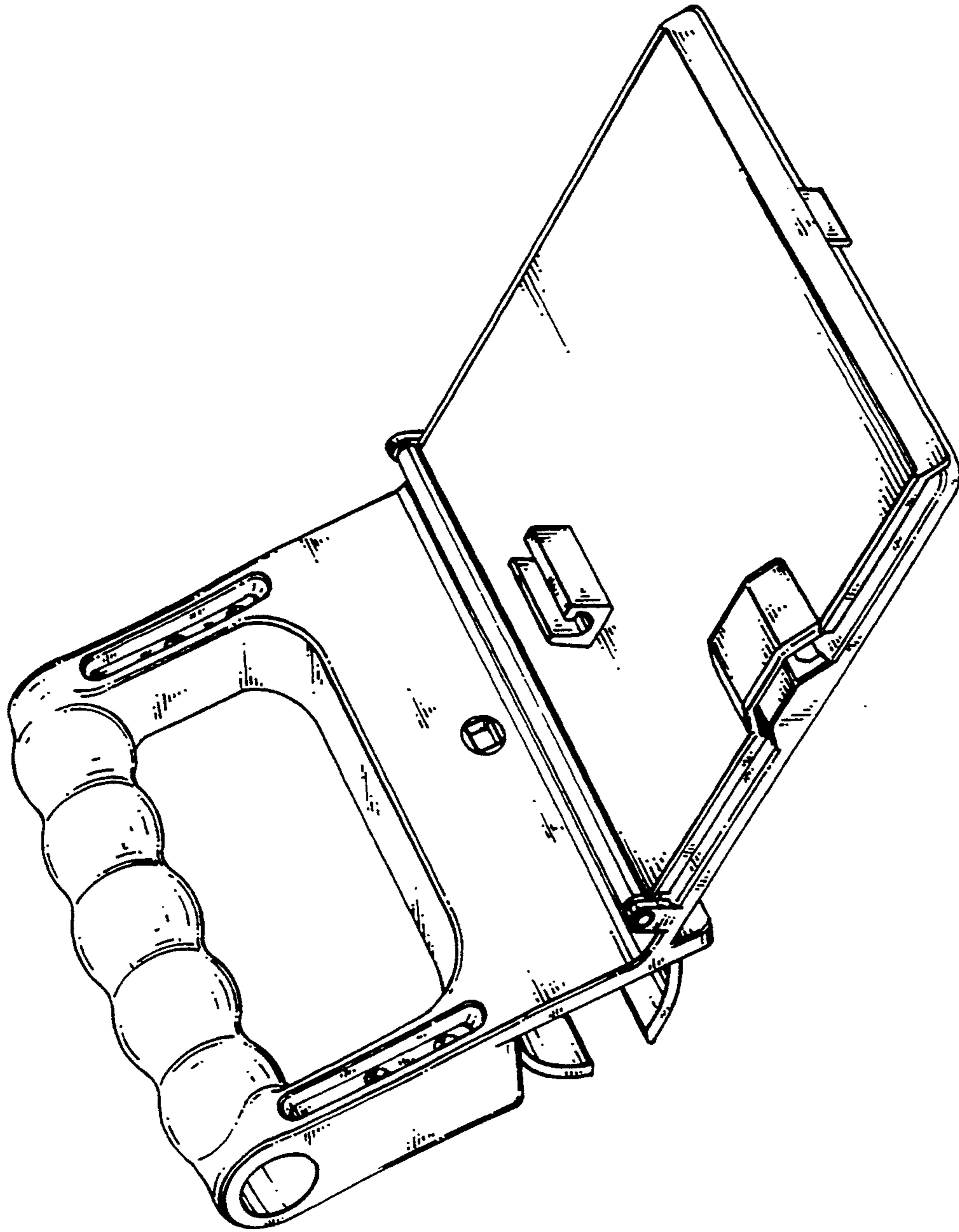


Fig . 1

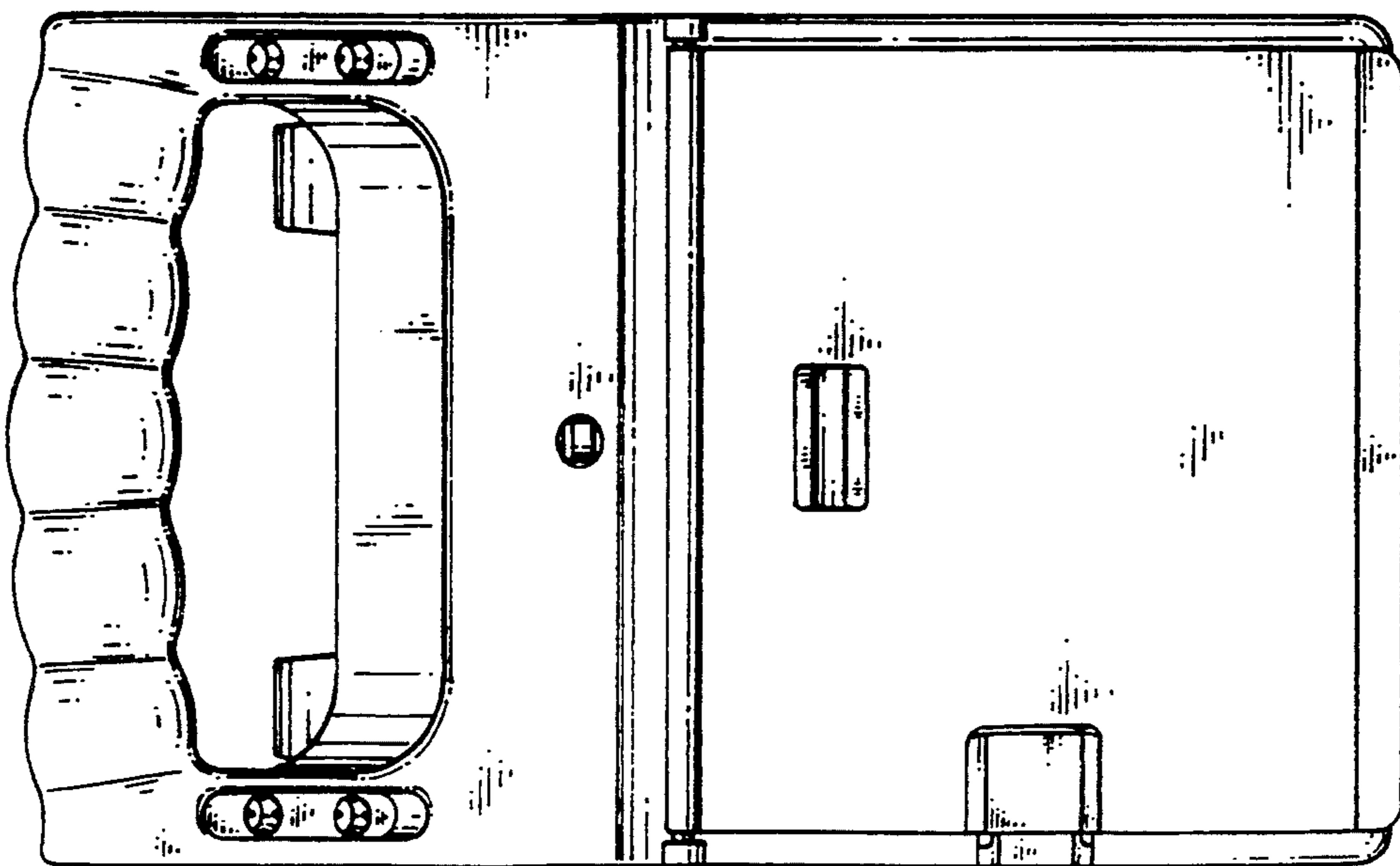


Fig. 2

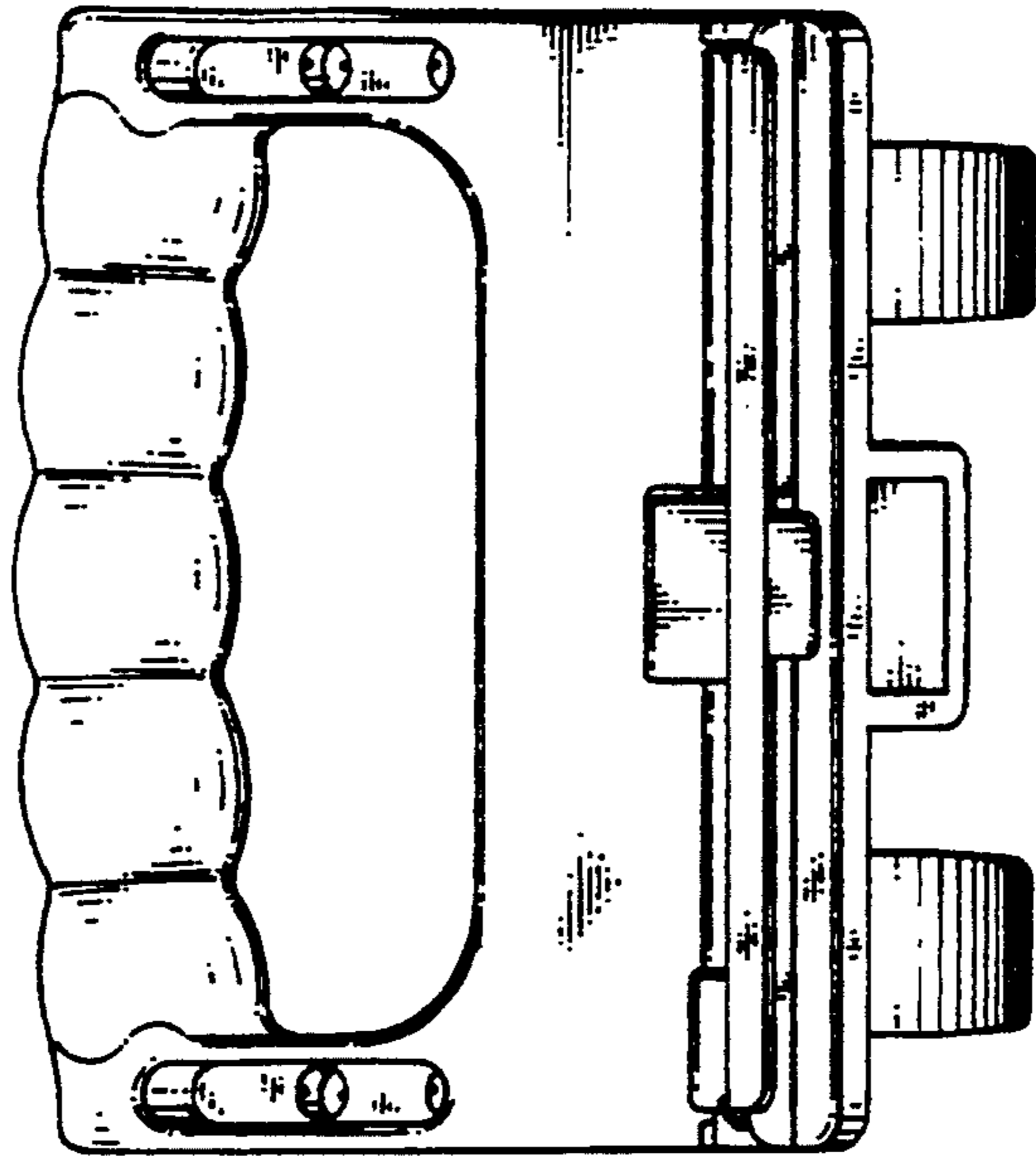


Fig. 3

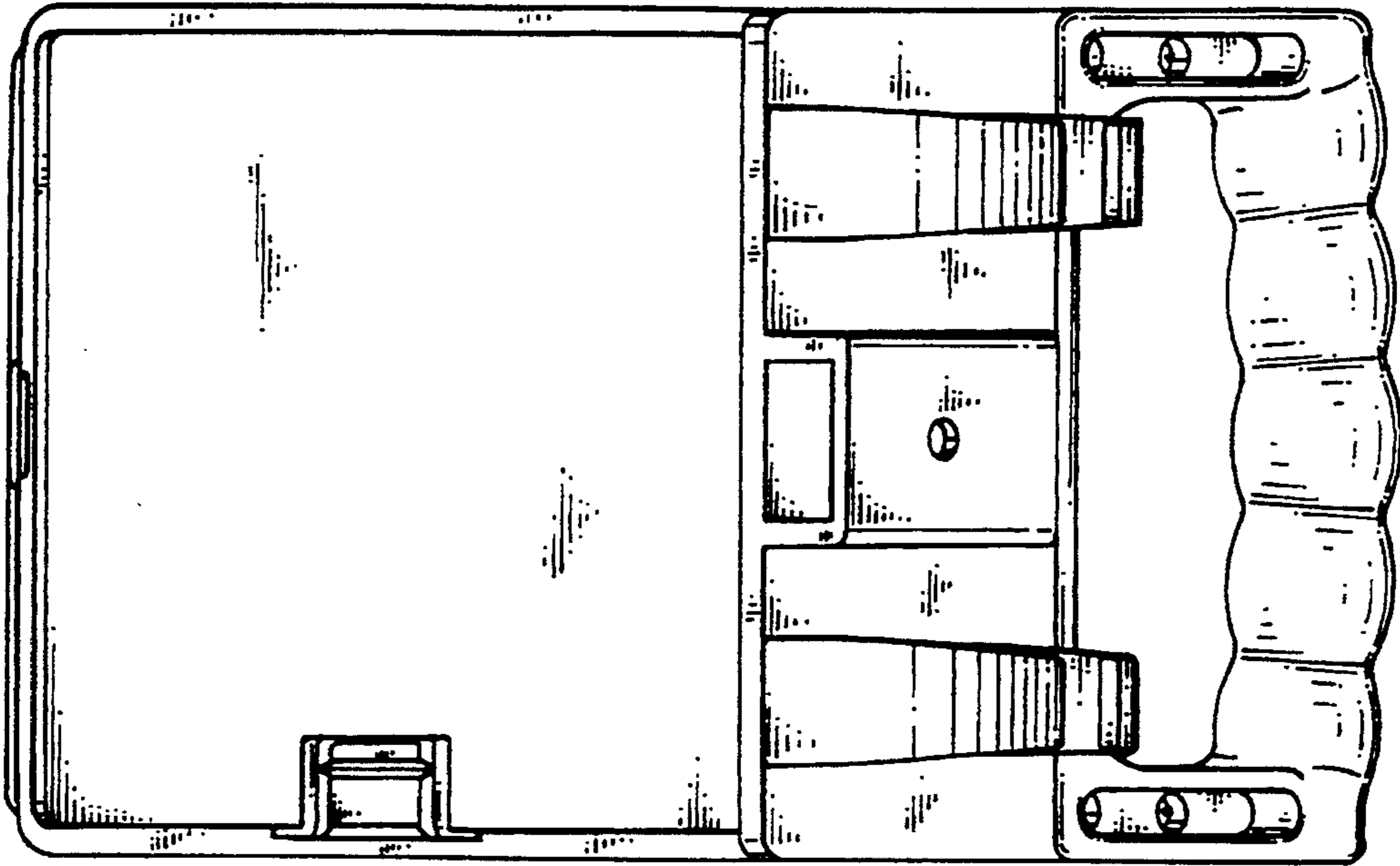


Fig. 5

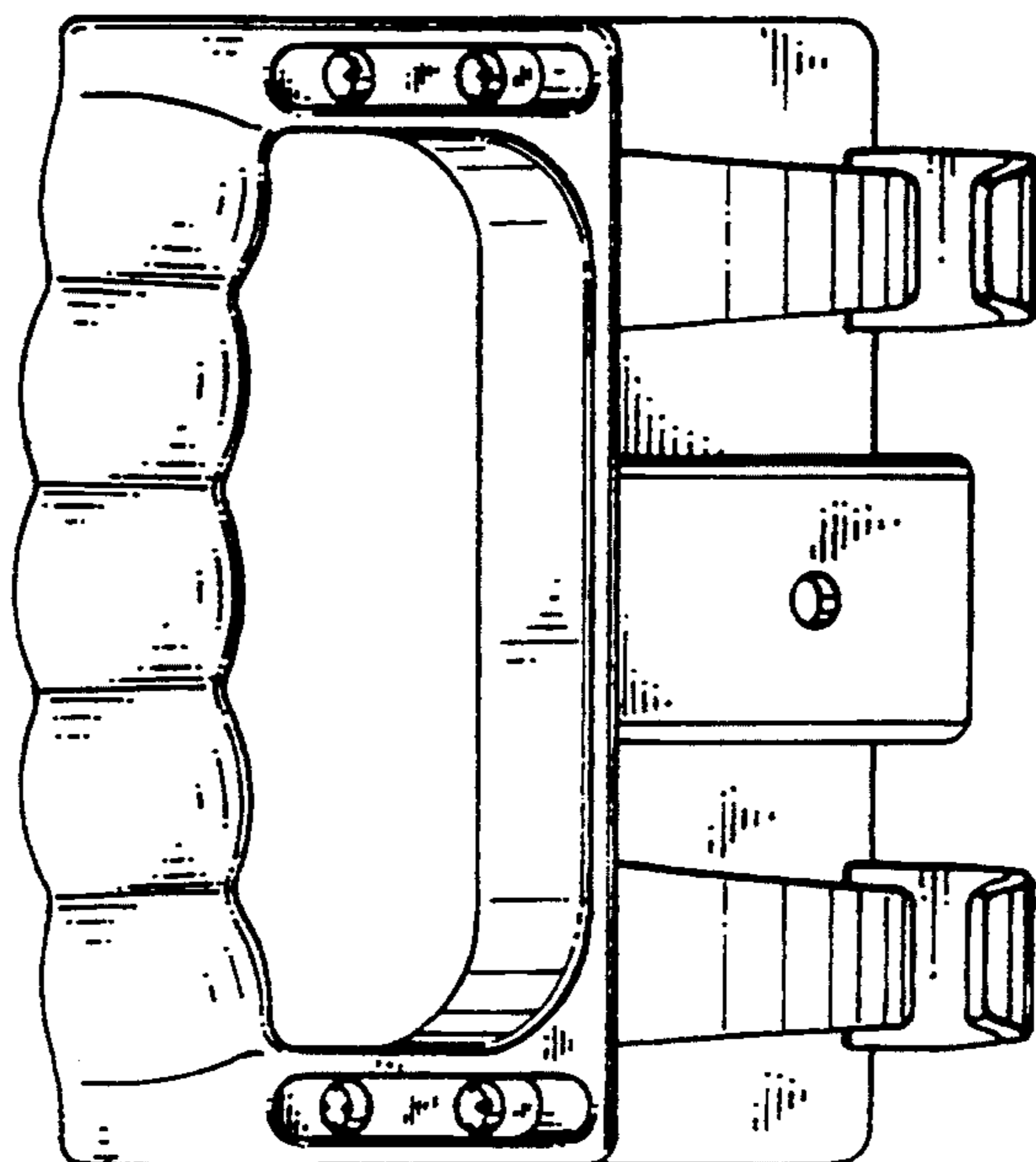


Fig. 4

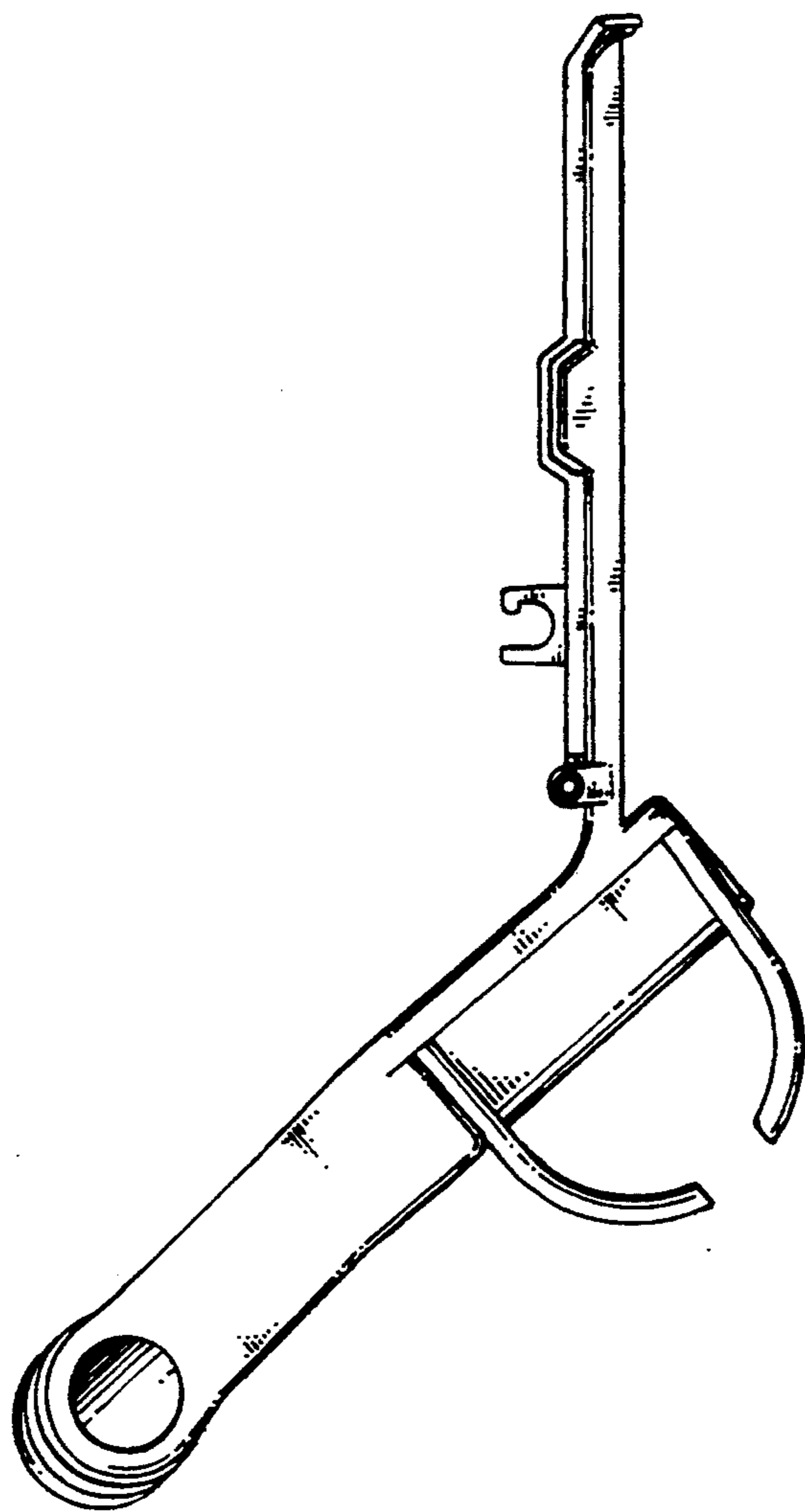


Fig. 6

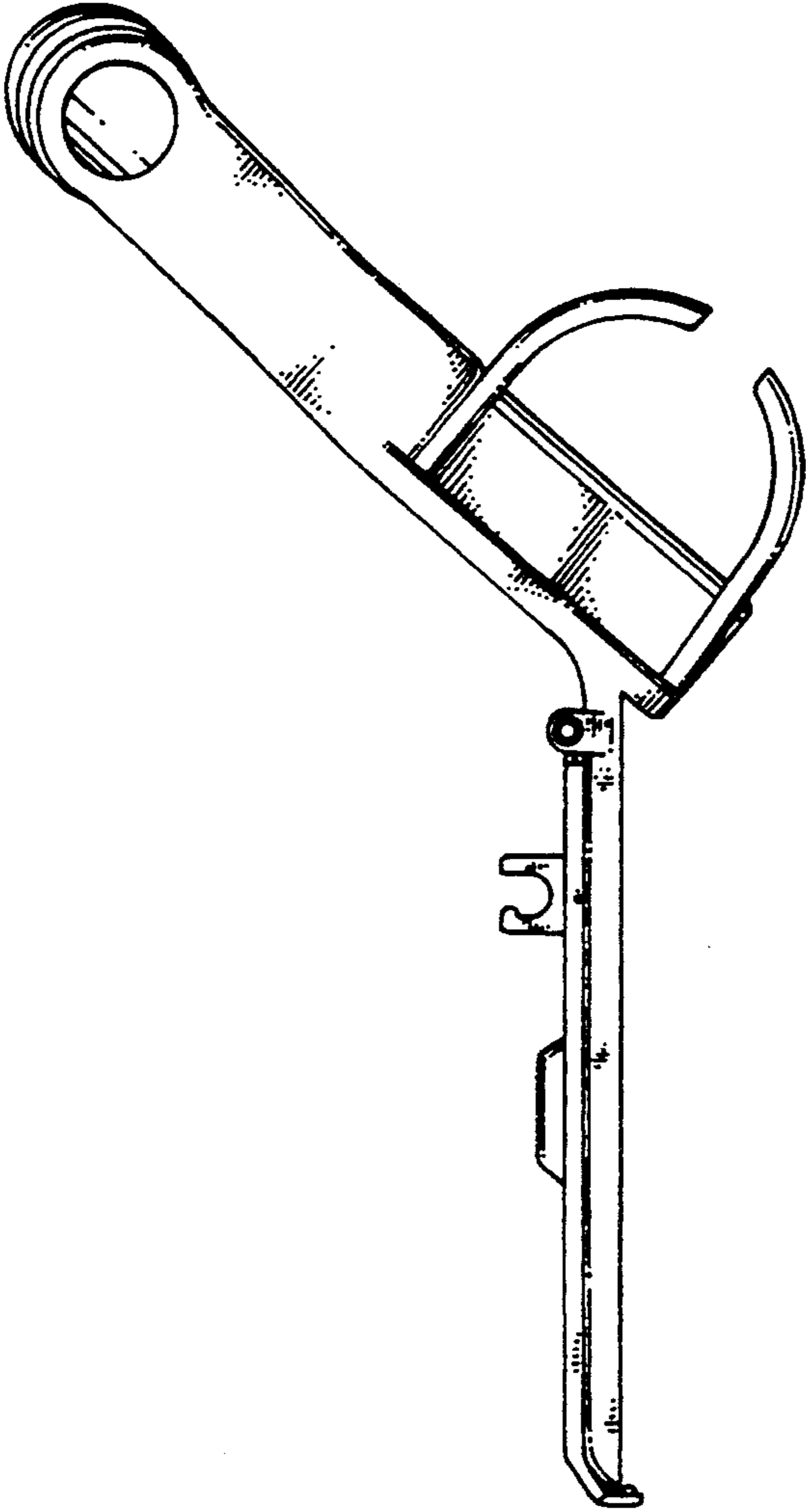


Fig. 7