



US00D353697S

# United States Patent [19]

[11] Patent Number: Des. 353,697

Breen et al.

[45] Date of Patent: \*\* Dec. 20, 1994

[54] HANDLE FOR TRASH CONTAINER

[75] Inventors: John D. Breen; Alicia Yost, both of Wooster, Ohio

[73] Assignee: Rubbermaid Incorporated, Wooster, Ohio

[\*\*] Term: 14 Years

[21] Appl. No.: 11,459

[22] Filed: Aug. 5, 1993

[52] U.S. Cl. .... D34/10; D8/320

[58] Field of Search ..... 220/318, 337, 300, 404, 220/908-911, 200, 253, 254; D8/300, 307, 310, 311, 319, 320, DIG. 2; 16/110 R, 110.5, 111, 119, 125, DIG. 12, DIG. 19; D34/1, 7, 10, 11

[56] References Cited

U.S. PATENT DOCUMENTS

D. 241,649	9/1976	Anderson et al. ....	D8/320
D. 259,763	7/1981	Dickinson .....	D7/194
D. 260,229	8/1981	Maza et al. ....	D7/189
D. 277,898	3/1985	Paul et al. ....	D34/11
D. 292,638	11/1987	Carville .....	D34/1
D. 312,161	11/1990	Toscano .....	D34/11
D. 323,912	2/1992	Delmerico .....	D34/5
D. 323,914	2/1992	Doxey et al. ....	D34/5
D. 324,595	3/1992	Beese et al. ....	D34/5
D. 326,342	5/1992	Doxey et al. ....	D34/7
D. 327,555	6/1992	Juergens .....	D34/1
D. 329,930	9/1992	Delmerico et al. ....	D34/7
1,238,090	8/1917	Beringer .....	220/908
3,904,218	9/1975	Kostie .....	280/79.2
4,351,539	9/1982	Rodolakis .....	280/47.26
4,630,752	12/1986	DeMars .....	220/404
4,691,840	9/1987	Ferbrache .....	220/318
4,723,686	2/1988	Pennisi .....	220/300
4,749,101	6/1988	Durkan .....	220/337
4,819,827	4/1989	DiSesa .....	220/318
4,917,263	4/1990	Korb .....	220/404
5,071,024	12/1991	Delmerico et al. ....	220/335
5,088,750	2/1992	Beese et al. ....	280/47.26
5,090,585	2/1992	Power .....	220/404
5,163,577	11/1992	Lee .....	220/318

OTHER PUBLICATIONS

Sell Sheet, Refuse Container; Sterilite Corporation,

Main St. P.O. Box 524, Townsend, Mass., Publication Date 1990.

Sell Sheet, Refuse Container; Sterilite Corporation, Main St. P.O. Box 524, Townsend, Mass., Publication Date 1992.

Catalog Page, Refuse Container; Toter Incorporated, 841 Meacham Rd., P.O. Box 5338, Statesville, N.C. 28677, Publication Date Apr. 1992.

Catalog Page, Refuse Container; Toter Incorporated 841 Meacham Rd., P.O. Box 5338, Satesville, N.C. 28677, Publication Date Apr. 1992.

Catalog Page, Refuse Container; Toter Incorporated, 841 Meacham Rd., P.O. Box 5338, Statesville, N.C. 28677, Publication Date Apr. 1992.

Pp. 4 & 6, Refuse Containers; Contico Manufacturing Company, A Division of Contico International, 1101 Warson Road, St. Louis, Mo. 63132. It is believed that the product depicted herein has been on sale for more than one (1) year prior to the application date of this instant application.

Pp. 7, 8, 9, 10, 11, Refuse Containers; Tucker Housewares, 25 Tucker Dr., Leominster, Mass. 01469. It is believed that the product depicted herein has been on

(List continued on next page.)

Primary Examiner—Wallace R. Burke

Assistant Examiner—Robin V. Taylor

Attorney, Agent, or Firm—Richard B. O'Planick; Lisa B. Riedesel

[57] CLAIM

The ornamental design for a handle for trash container, as shown and described.

DESCRIPTION

FIG. 1 is a top, left and rear perspective view of a handle for trash container showing our new design. The broken line showing is for illustrative purposes only and forms no part of the claimed design;

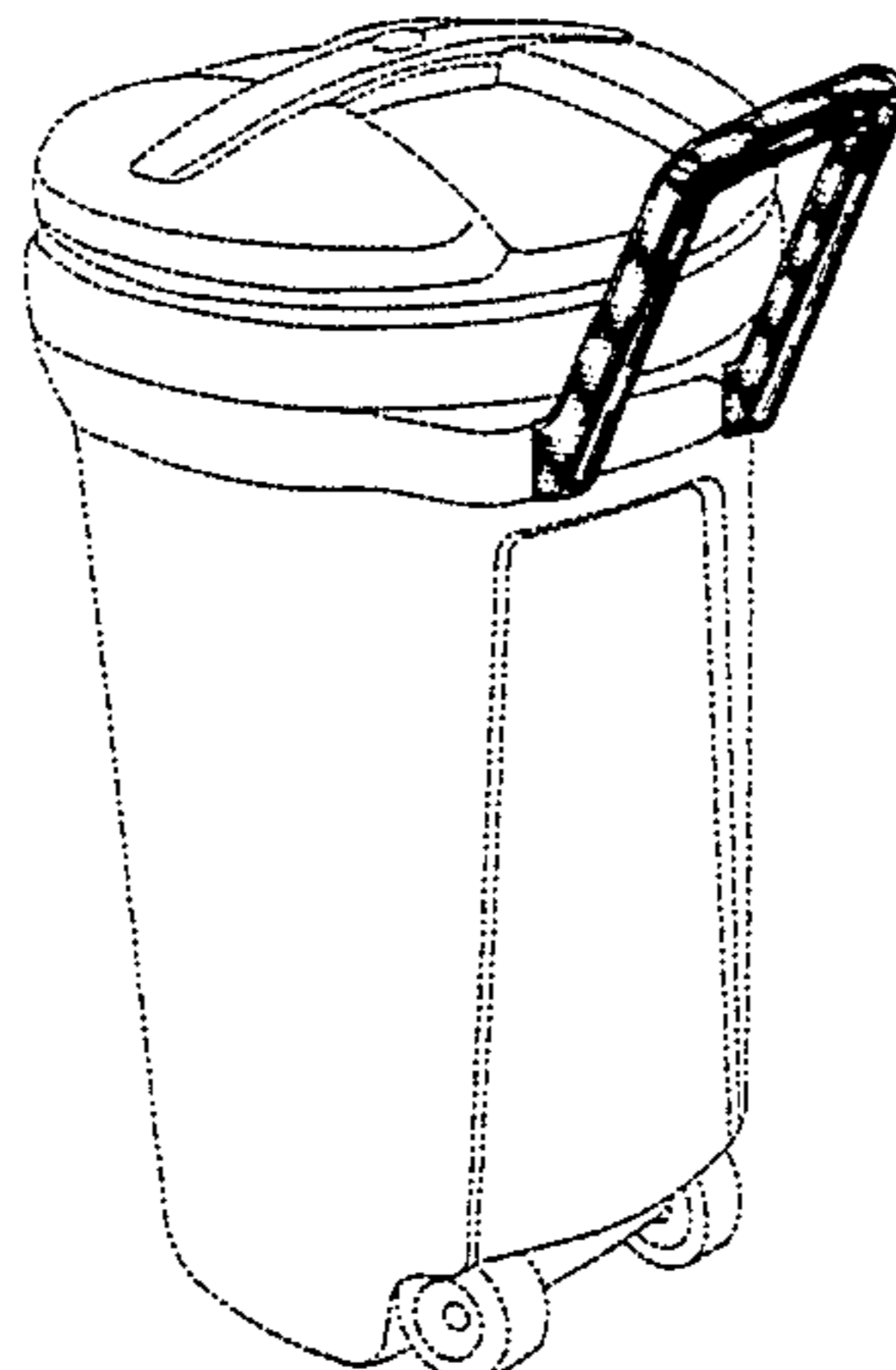
FIG. 2 is a front elevational view thereof;

FIG. 3 is a rear elevational view thereof;

FIG. 4 is a left side elevational view thereof; the right side elevational view being a mirror image;

FIG. 5 is a bottom plan view thereof; and,

FIG. 6 is a top plan view thereof.



OTHER PUBLICATIONS

sale for more than one (1) year prior to the application date of this instant application.

Sell Sheet, Refuse Container; Sears, Roebuck & Co. Dept. 698/731A, Sears Tower, Chicago, Ill. 60684. It is believed that the product depicted herein has been on sale for more than one (1) year prior to the application date of this instant application.

Sell Sheet, Refuse Container; Reuter, Inc. 410-11th Ave. South Hopkins, Minn. 55343. It is believed that the product depicted herein has on sale for more than one (1) year prior to the application date of this instant application.

Sell Sheet, Refuse Container; Bonar Plastics, Ltd., address unknown. It is believed that the product depicted herein has been on sale for more than one (1) year prior

to the application date of this instant application.

Sell Sheet, Refuse Container; Handelsonderneming Kiggen, B. V., Den Engelsman 1, Postbus 2624, 6026 ZG Maarheeze. It is believed that the product depicted herein has been on sale for more than one (1) year prior to the application date of this instant application.

Sell Sheet, Refuse Container; Versa Kart System, A Division of Pawnee Industries, Inc., 433 Industrial Rd., Goddard, Kans. 67052. It is believed that the product depicted herein has been on sale for more than one (1) year prior to the application date of this instant application.

P. 6, Refuse Container; Curver, Takkebijsters 75, Postbus 6810, 4802 HV Breda. Publication Date 1991.

Pp. 28 & 29; Rubbermaid Incorporated, 1147 Akron Road, Wooster, Ohio. 44691. Publication Date 1990.

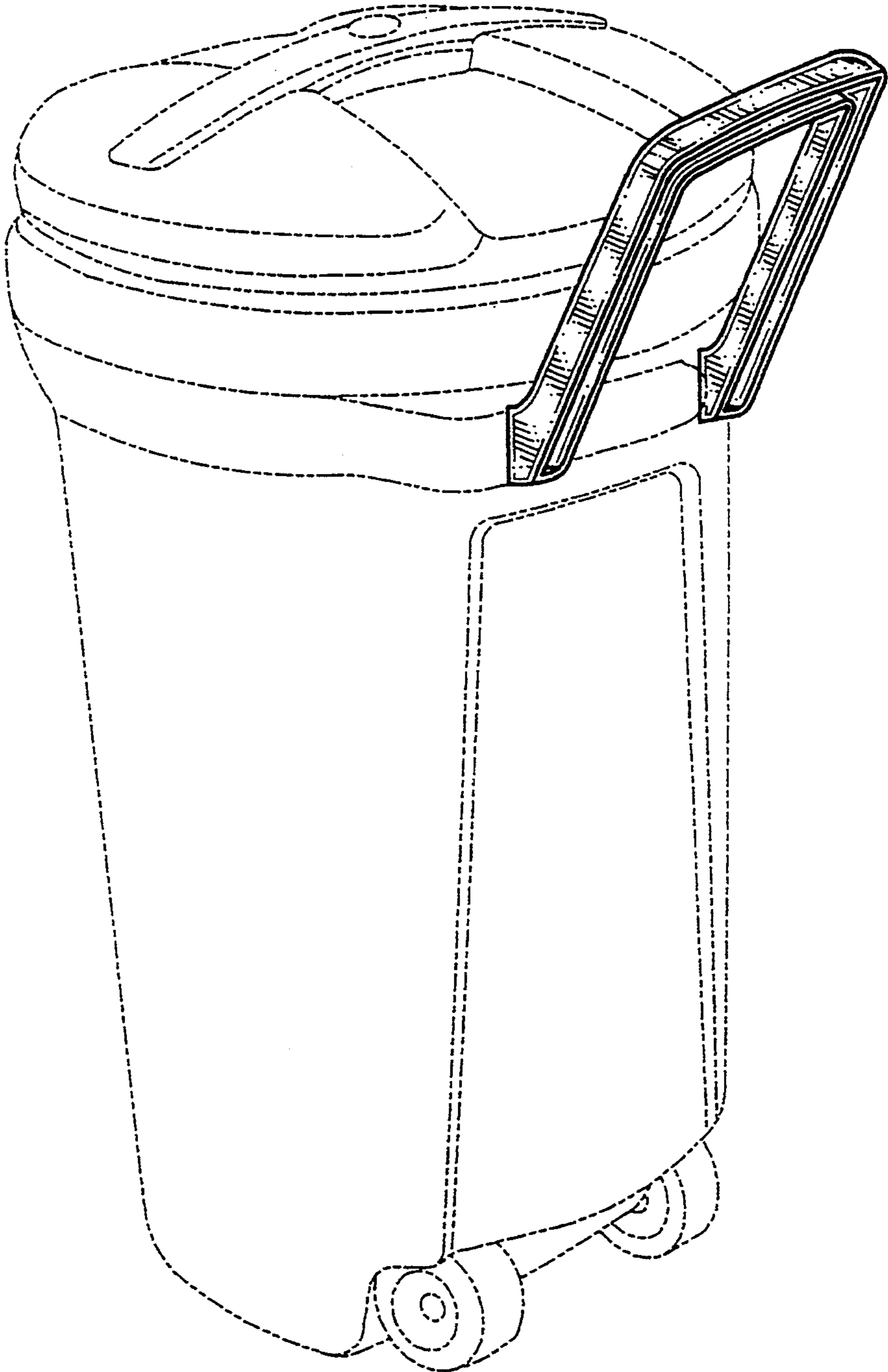


FIG. 1

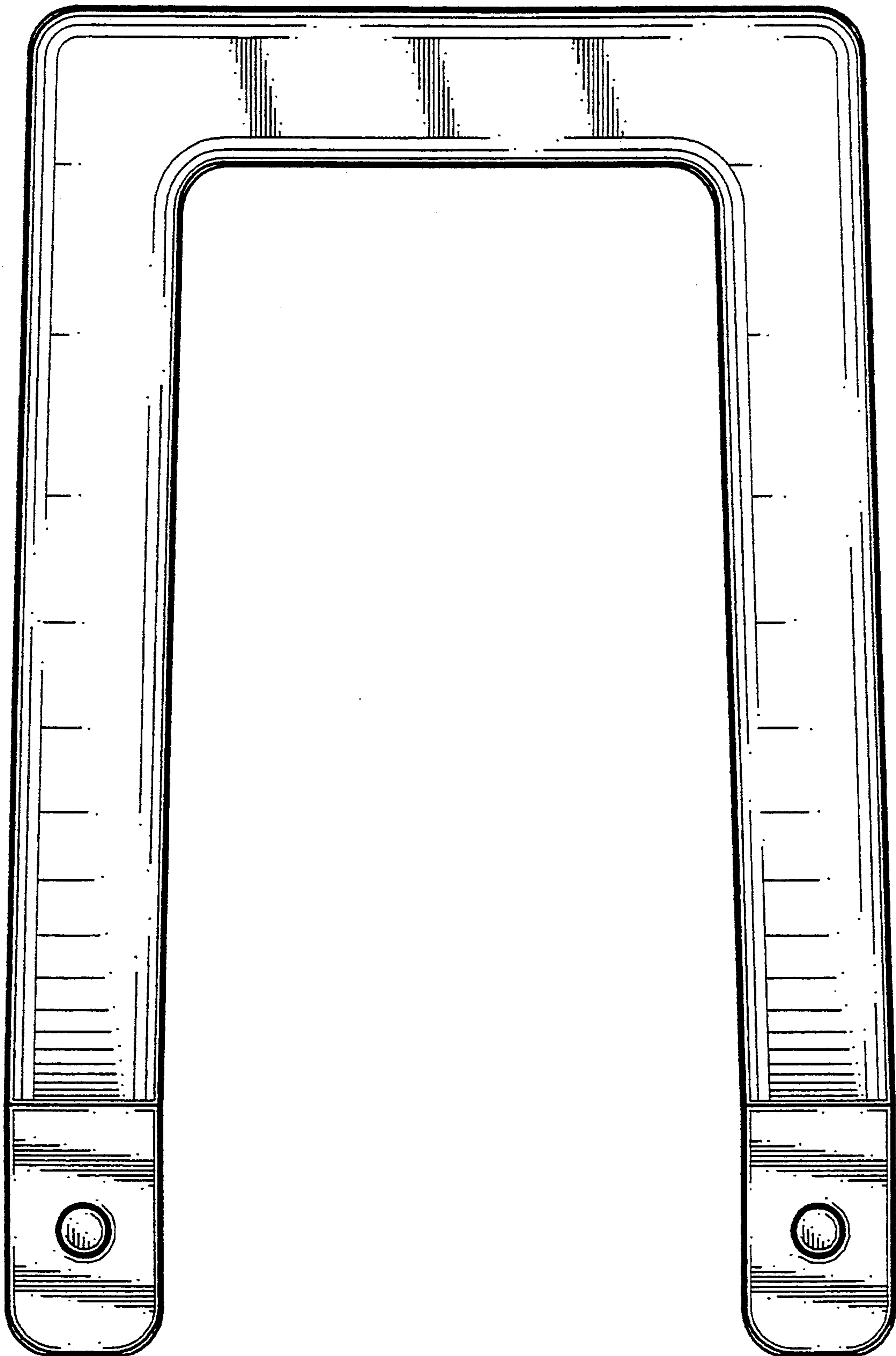


FIG. 2

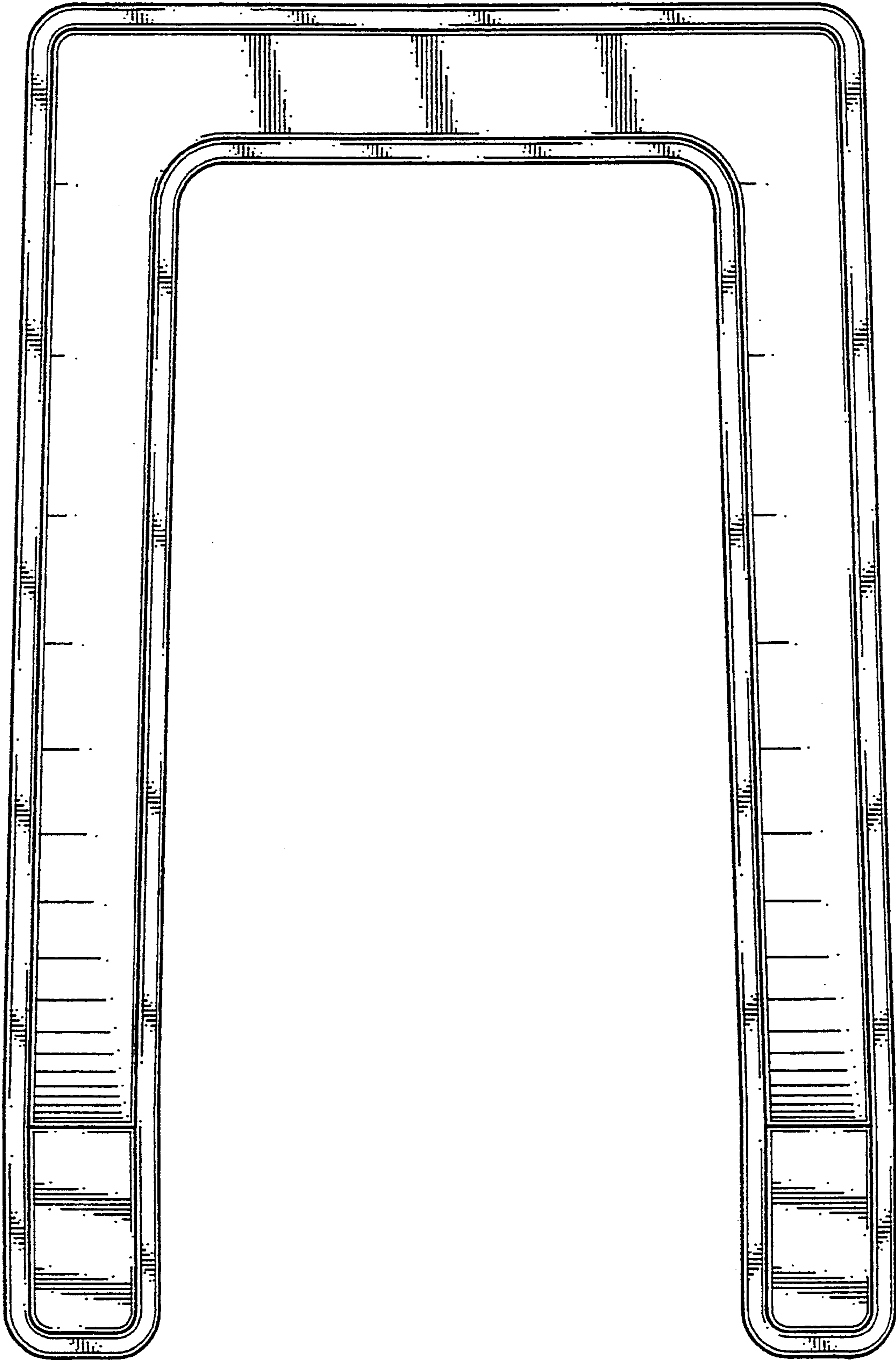


FIG. 3

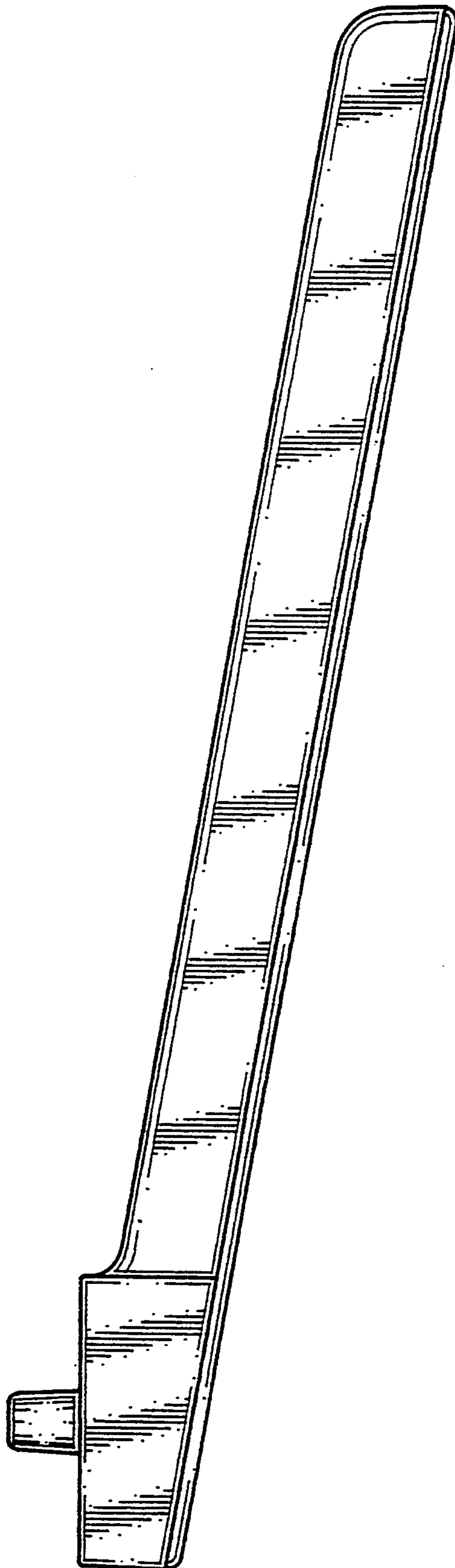


FIG. 4

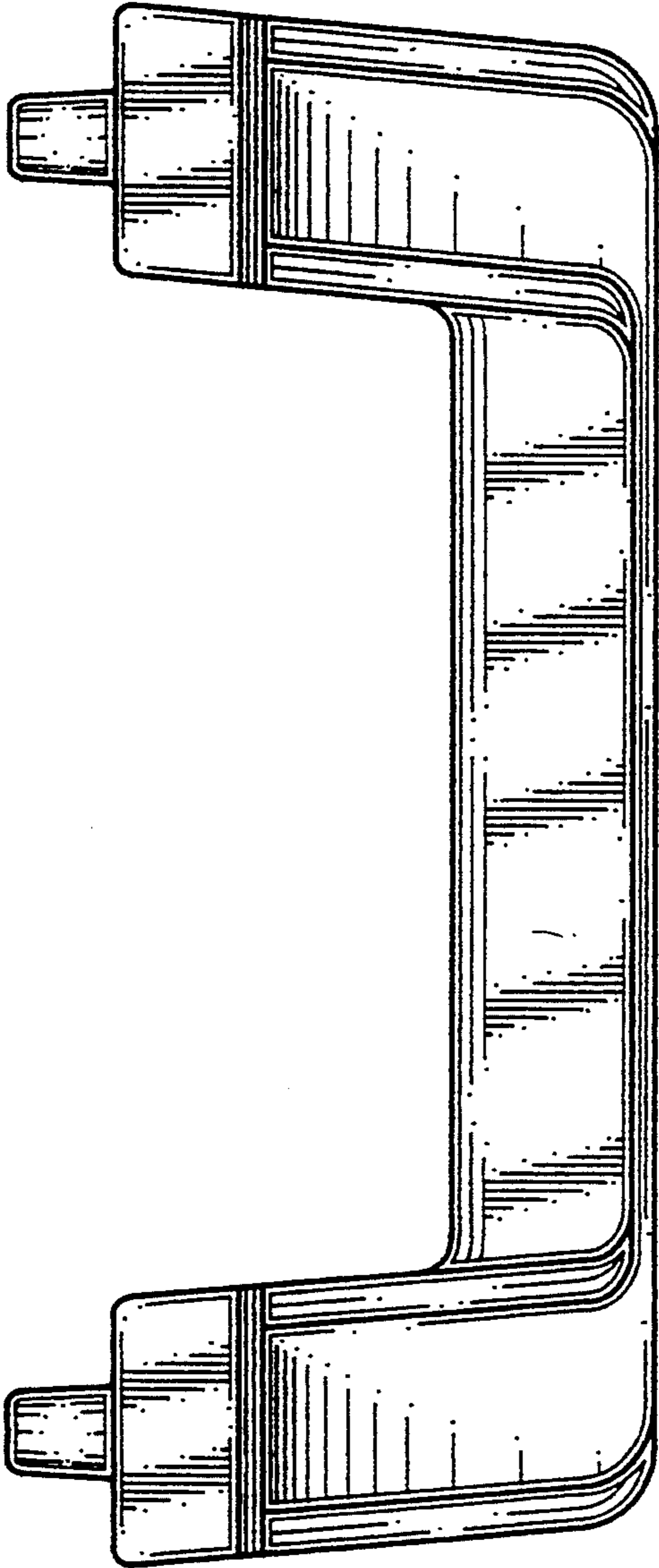


FIG. 5

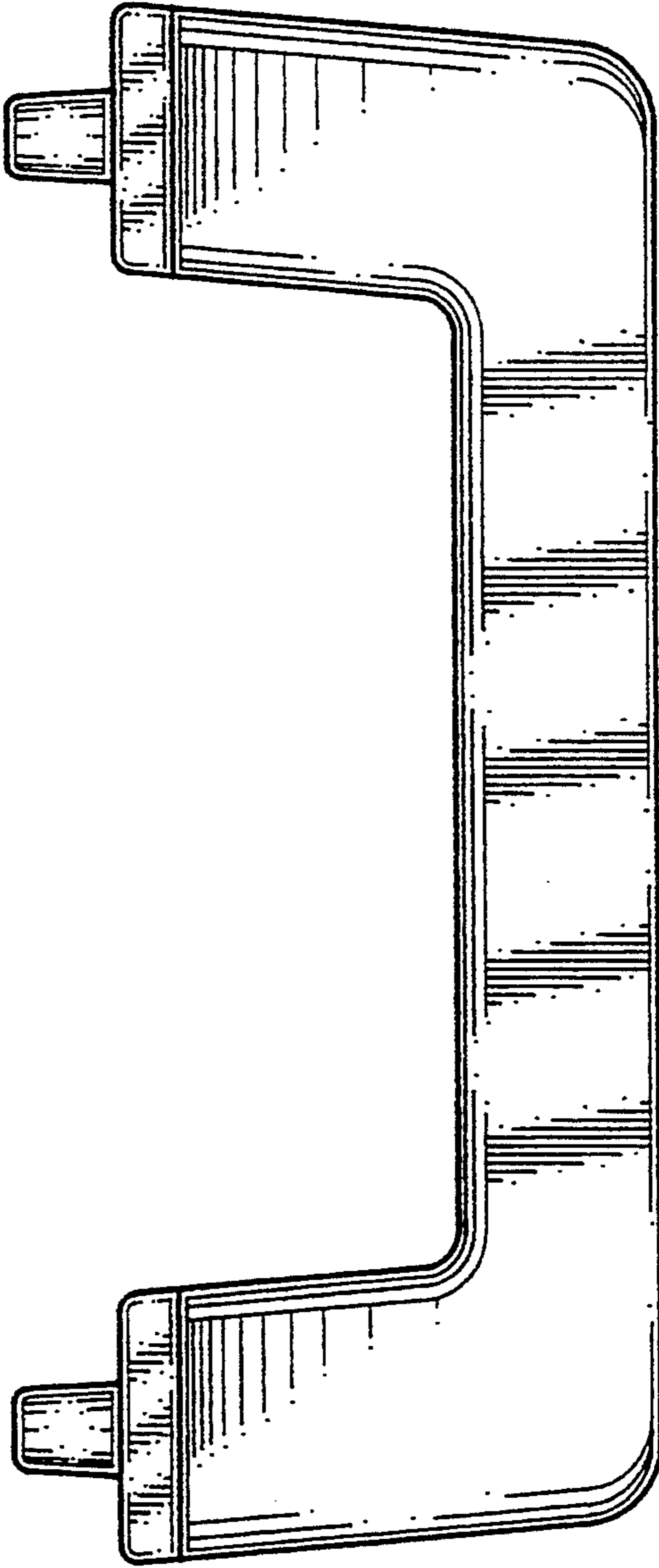


FIG. 6