



US00D353695S

**United States Patent** [19]  
**Turner**

[11] **Patent Number: Des. 353,695**  
[45] **Date of Patent: \*\* Dec. 20, 1994**

[54] **BAG HOLDER**

[56] **References Cited**

[75] **Inventor: Gale W. Turner, 625 W. Pipkin Rd.,  
Lakeland, Fla. 33813**

**U.S. PATENT DOCUMENTS**  
4,376,520 9/1981 Wetherington ..... 248/97  
5,016,844 5/1991 Garvin ..... 248/97

[73] **Assignee: Gale W. Turner, Lakeland, Fla.**

*Primary Examiner*—Wallace R. Burke  
*Assistant Examiner*—Robin V. Taylor

[\*\*] **Term: 14 Years**

[57] **CLAIM**

The ornamental design for a bag holder, as shown and described.

[21] **Appl. No.: 7,511**

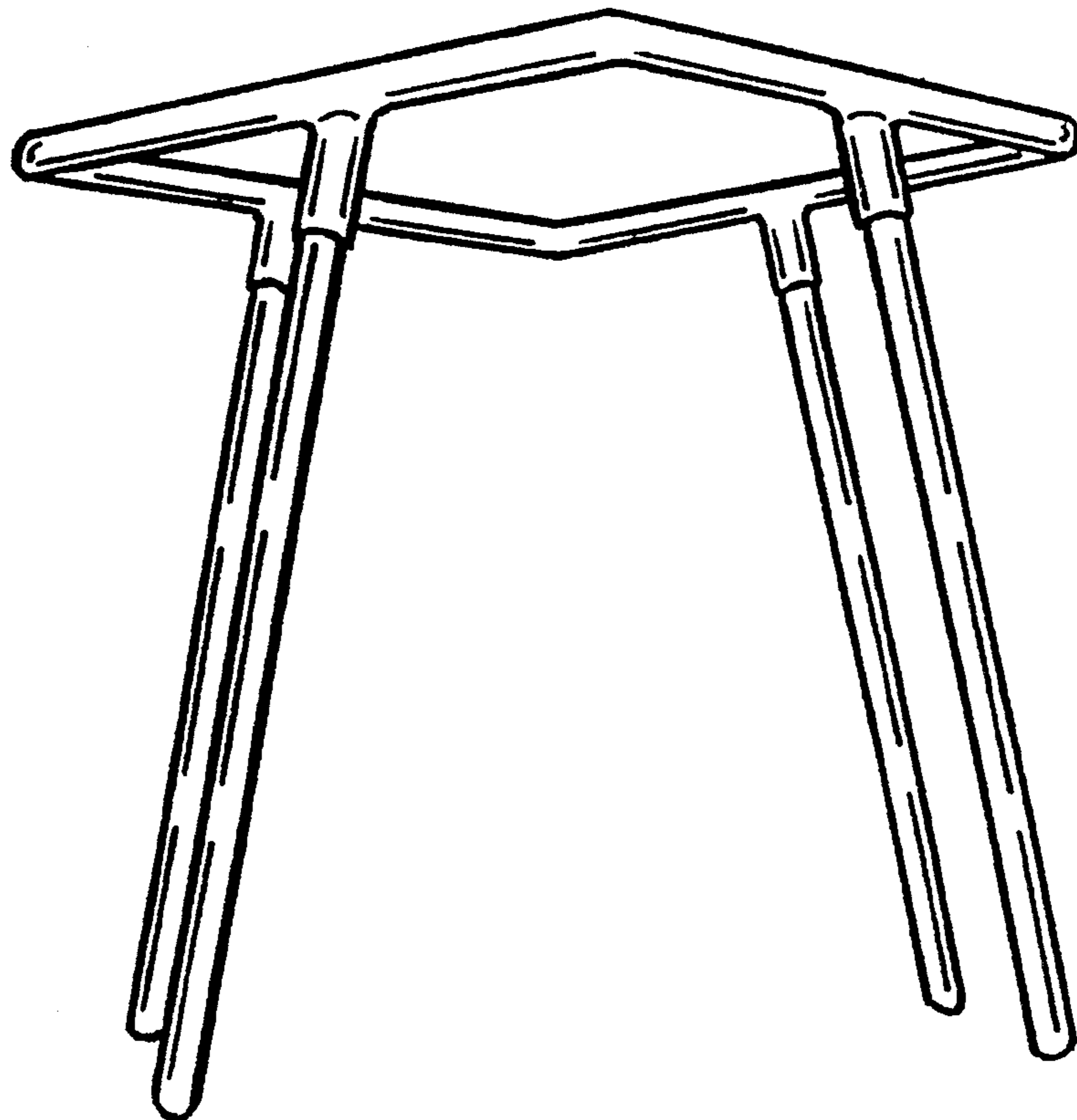
**DESCRIPTION**

[22] **Filed: Apr. 26, 1993**

[52] **U.S. Cl. .... D34/5**

[58] **Field of Search ..... 248/95, 97, 98, 99,  
248/902; 211/12; D34/1, 5, 6, 7**

FIG. 1 is a top plan of the bag holder;  
FIG. 2 is an elevational view thereof, all sides being identical;  
FIG. 3 is a sectional view through leg collar; and,  
FIG. 4 is a sectional view through leg at top.



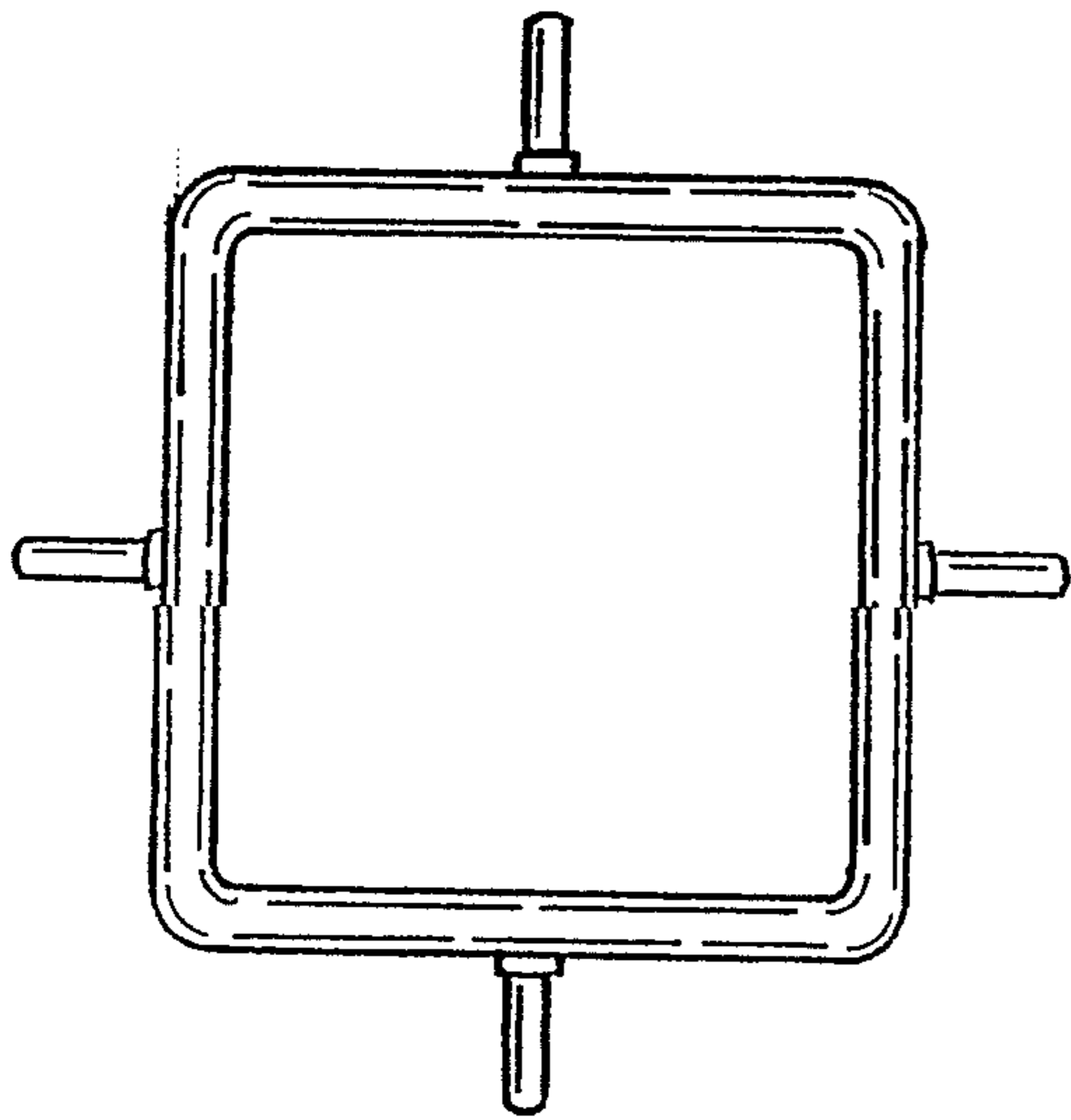


FIG. 1

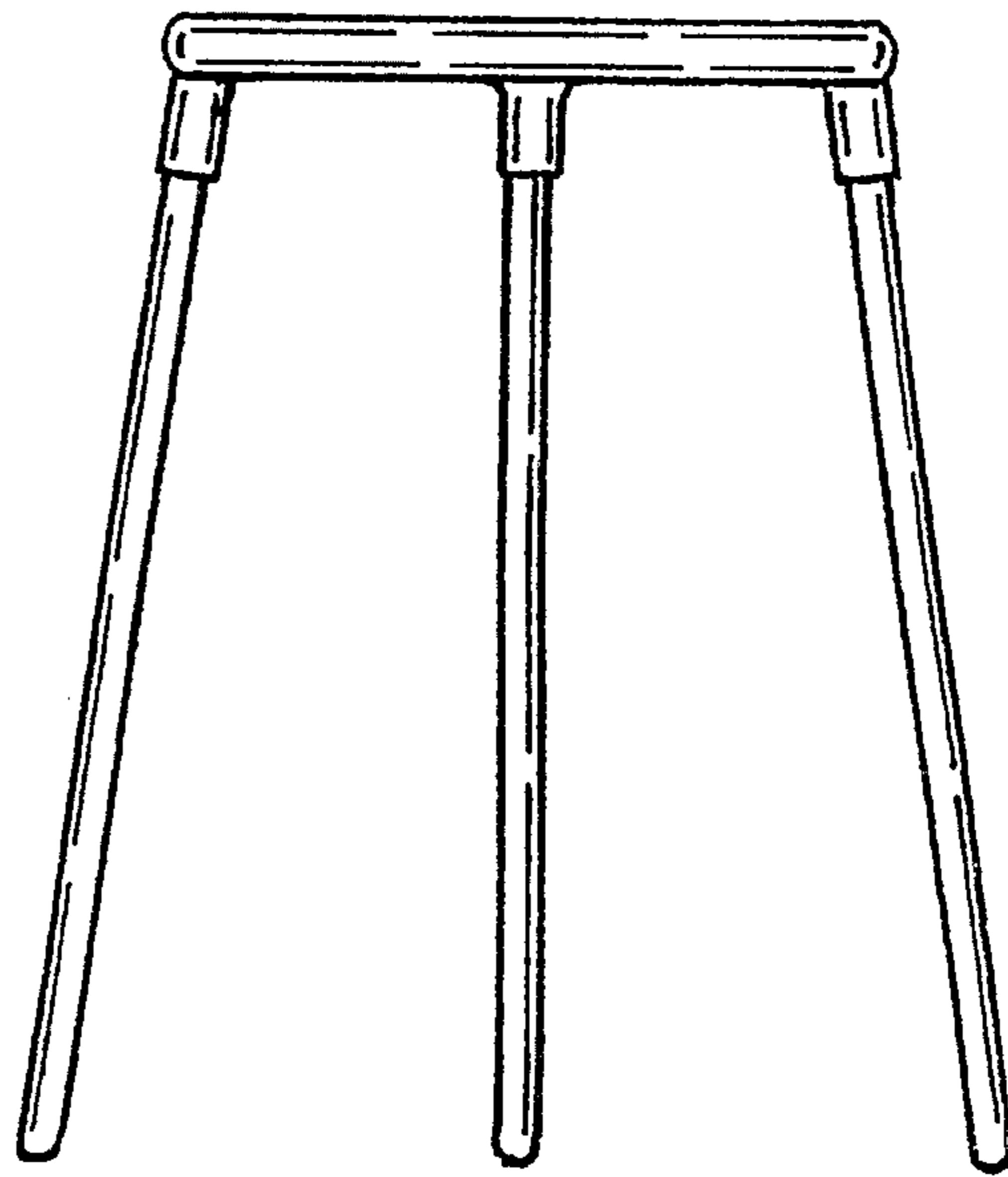


FIG. 2

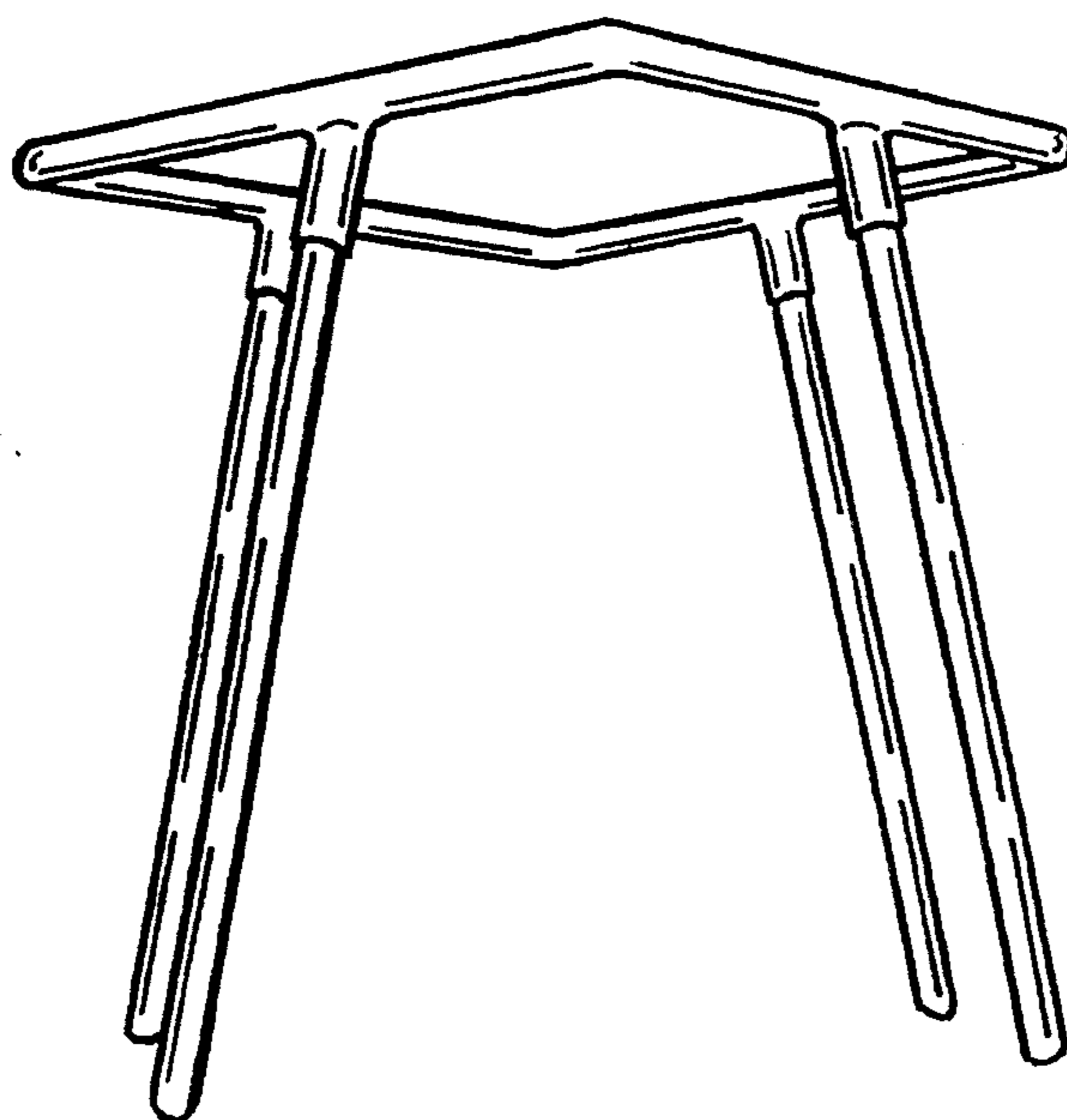


FIG. 3