



US00D353694S

United States Patent [19] Vildosola

[11] Patent Number: **Des. 353,694**

[45] Date of Patent: **** Dec. 20, 1994**

[54] **IRON**

[75] Inventor: **Tomas B. Vildosola, Eibar, Spain**

[73] Assignee: **Oficina de Investigacion Agrupada S.A., Eibar, Spain**

[**] Term: **14 Years**

[21] Appl. No.: **9,182**

[22] Filed: **Jun. 4, 1993**

[30] **Foreign Application Priority Data**

Dec. 4, 1992 [ES] Spain 129003

[52] U.S. Cl. **D32/70**

[58] Field of Search 38/74, 77.1-77.8,
38/77.81-77.83, 77.9, 85, 88, 90-93; 219/245,
248, 254; D32/68-72

[56] **References Cited**

U.S. PATENT DOCUMENTS

D. 285,376 8/1986 Stützer et al. D32/70

D. 315,237 3/1991 Stützer et al. D32/70
D. 335,010 4/1993 Vildosola D32/68
D. 343,933 2/1994 Nitsch D32/70
4,702,933 10/1987 Kramer 219/245 X

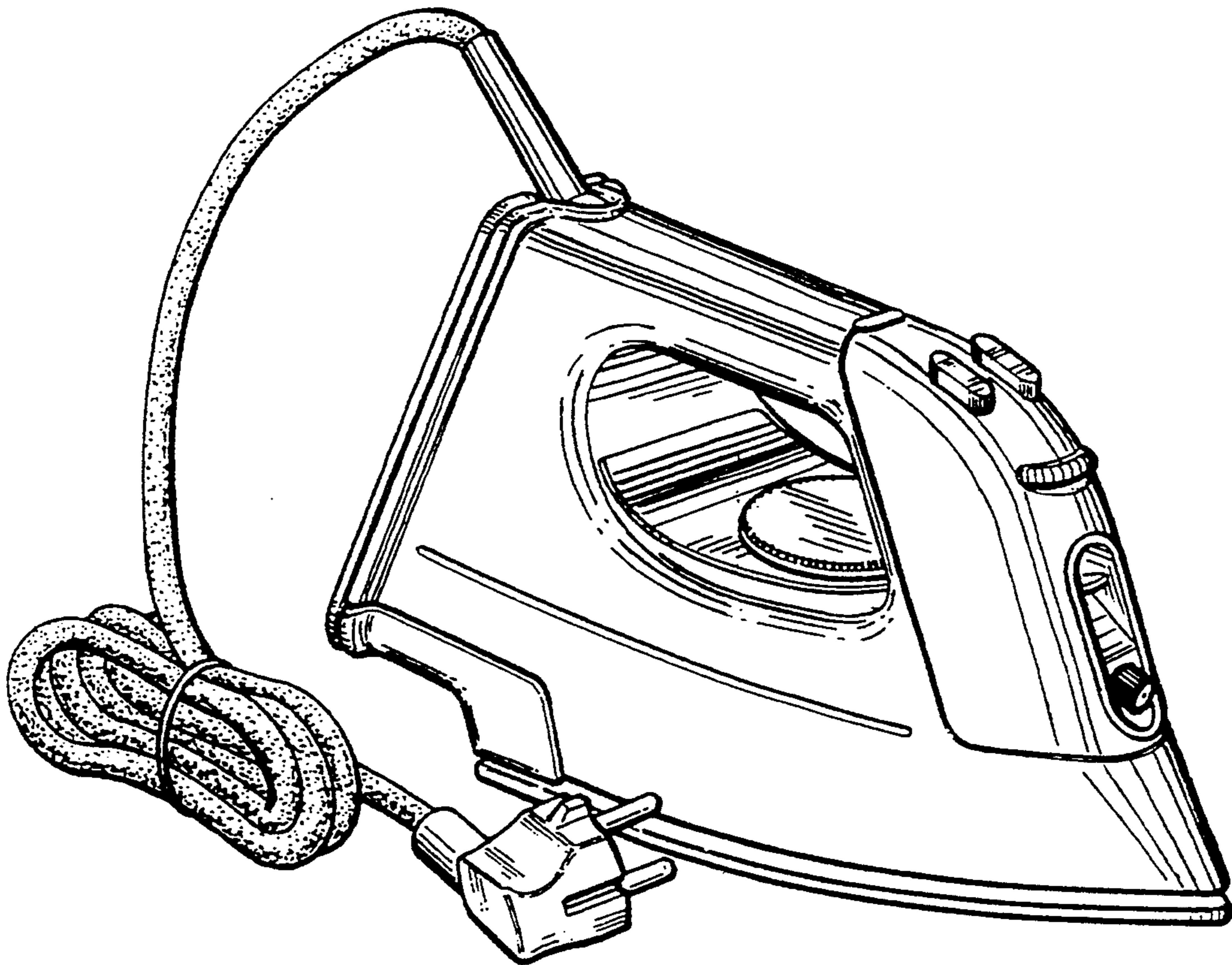
Primary Examiner—Wallace R. Burke
Assistant Examiner—Lavone D. Tabor
Attorney, Agent, or Firm—Helfgott & Karas

[57] **CLAIM**

The ornamental design for an iron, as shown and described.

DESCRIPTION

FIG. 1 is a right perspective view of the iron;
FIG. 2 is a left side view thereof;
FIG. 3 is a front view thereof;
FIG. 4 is a top view thereof;
FIG. 5 is a rear view thereof;
FIG. 6 is a right view thereof;
FIG. 7 is a bottom view thereof.
The electric cord is partially shown in FIGS. 2-6 for ease of illustration.



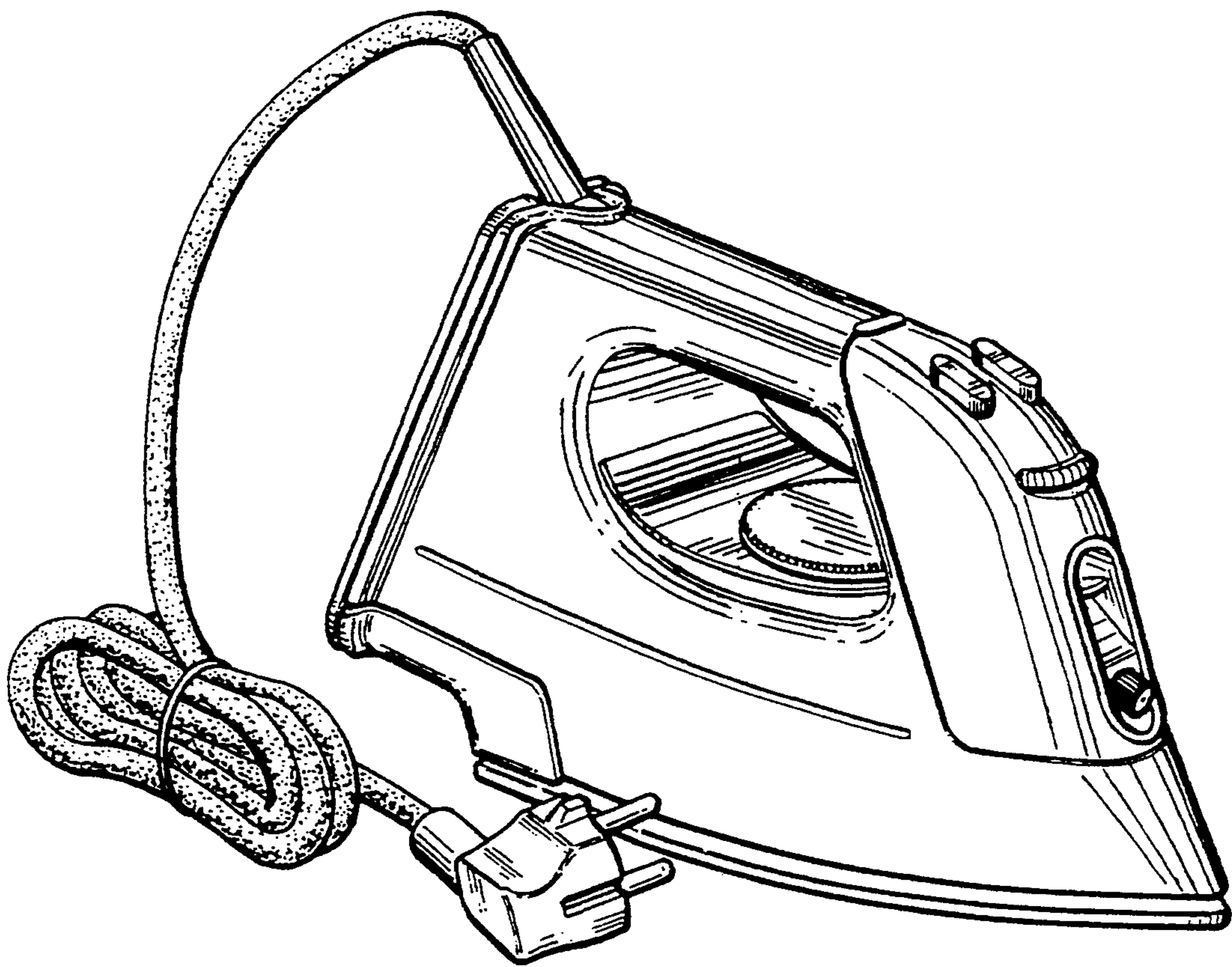


FIG.1

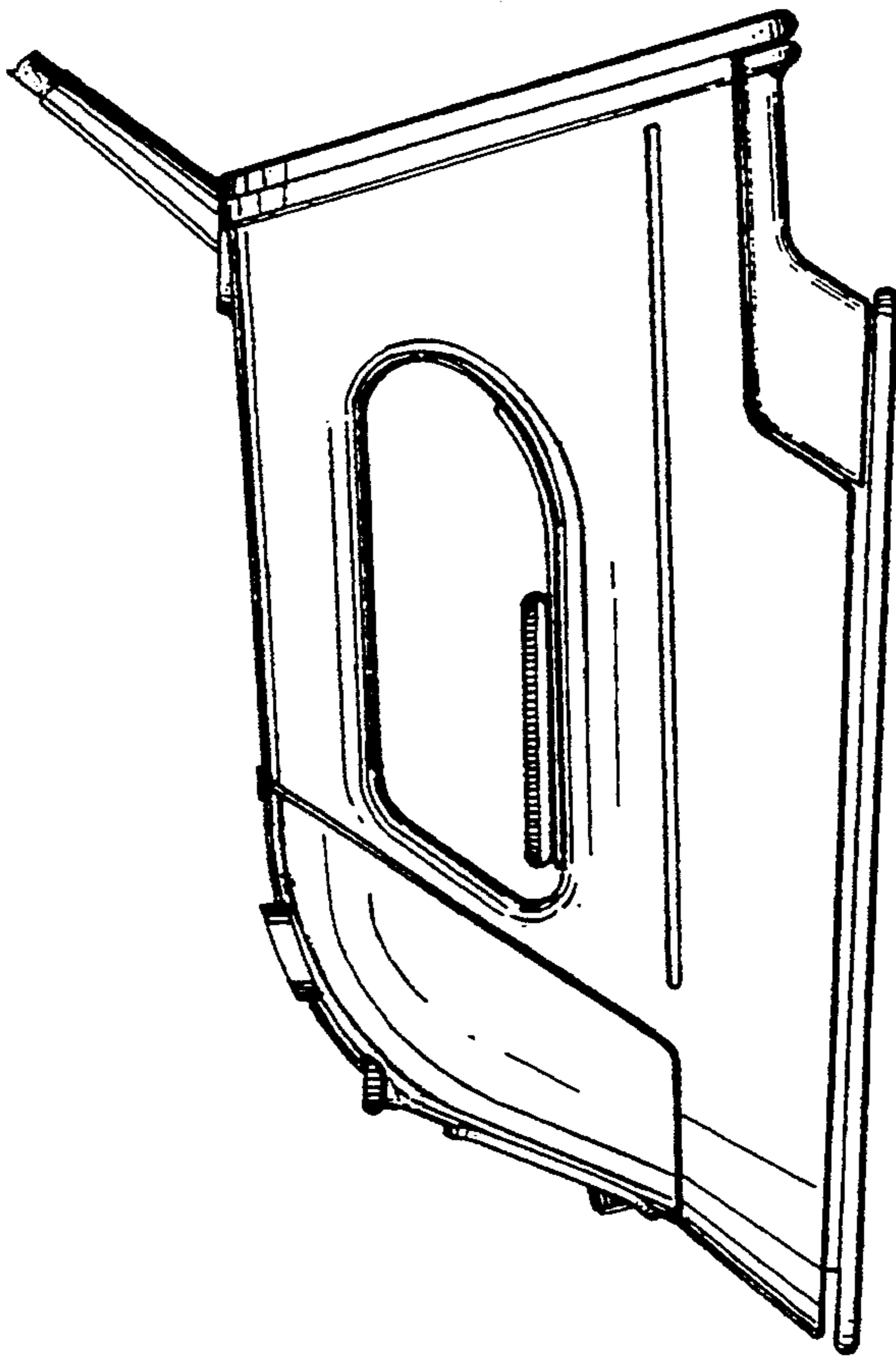


FIG. 2

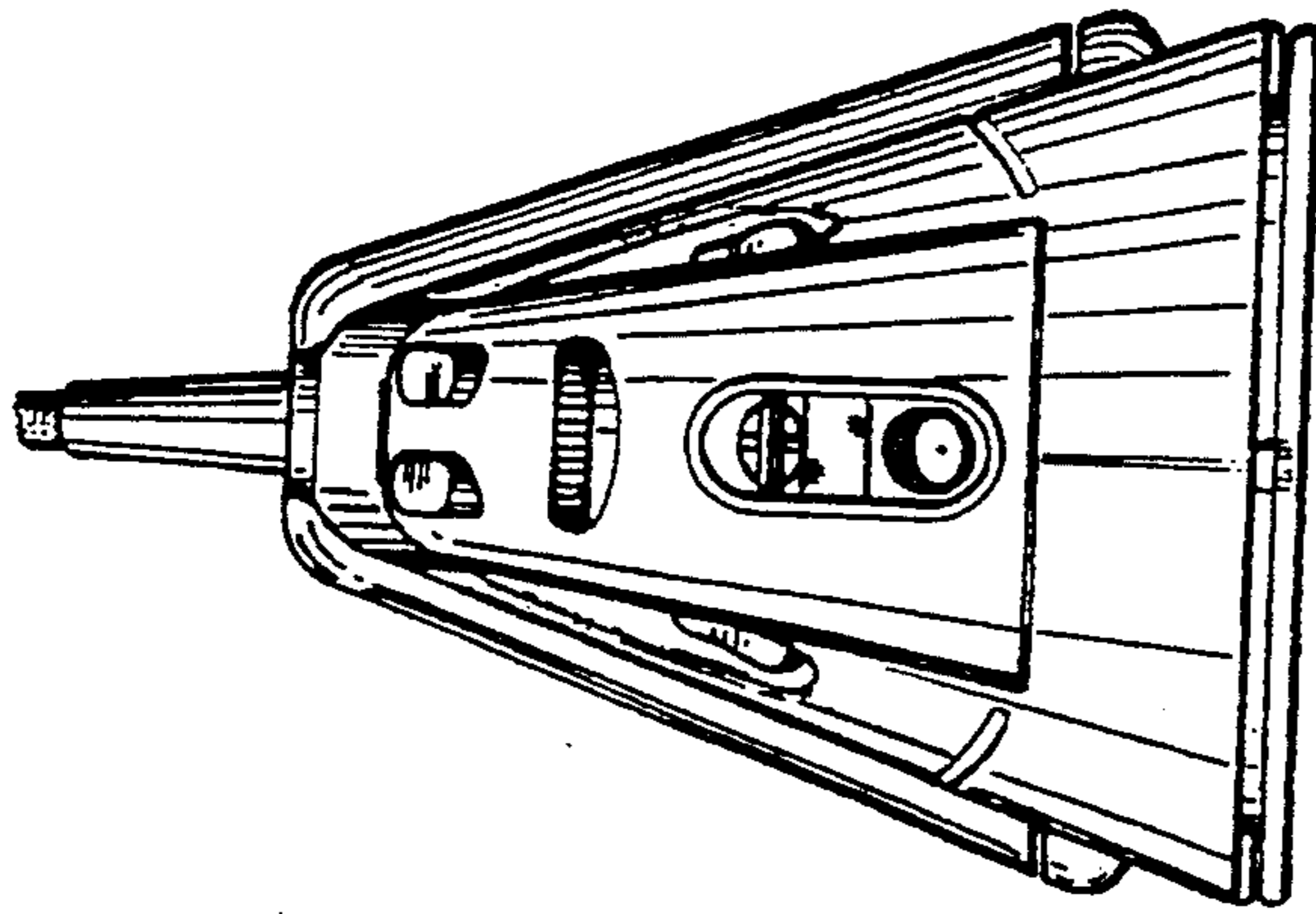


FIG. 3

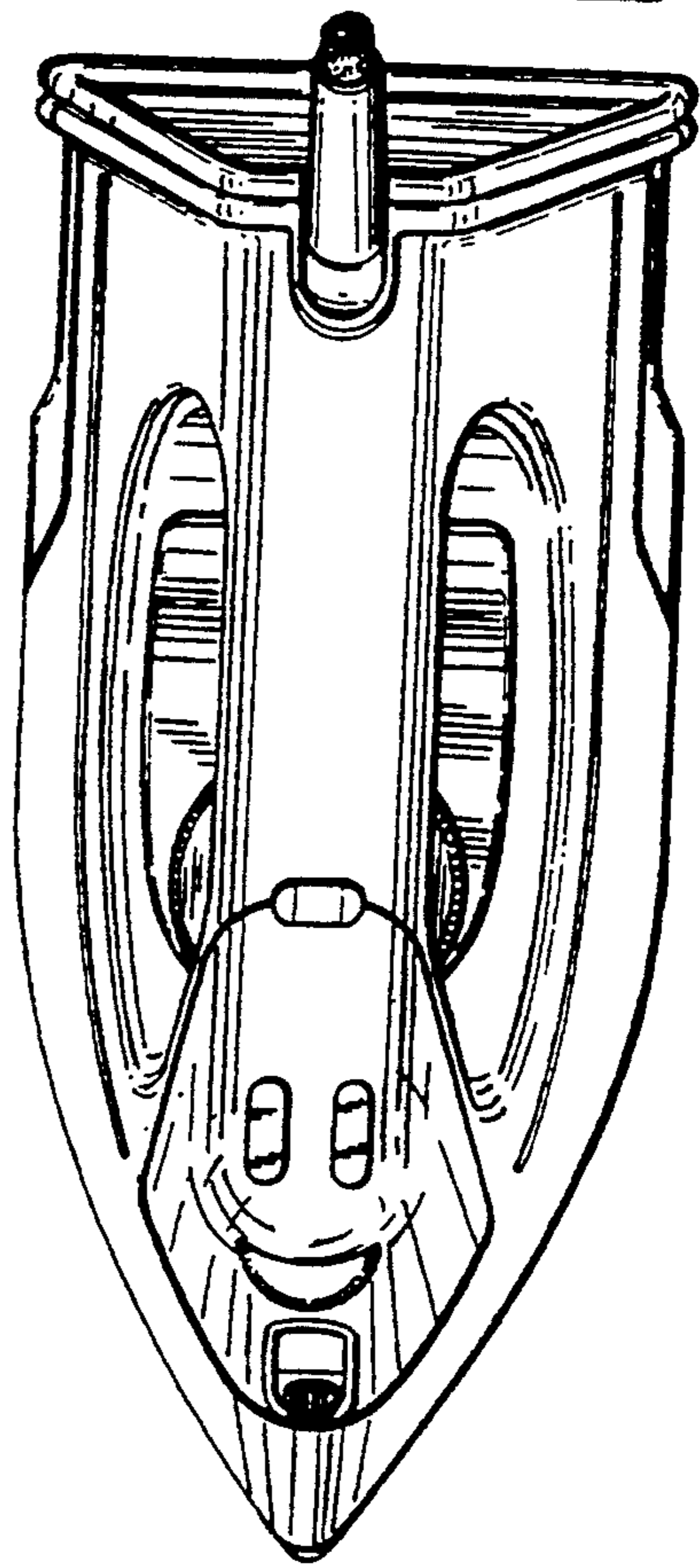


FIG. 4

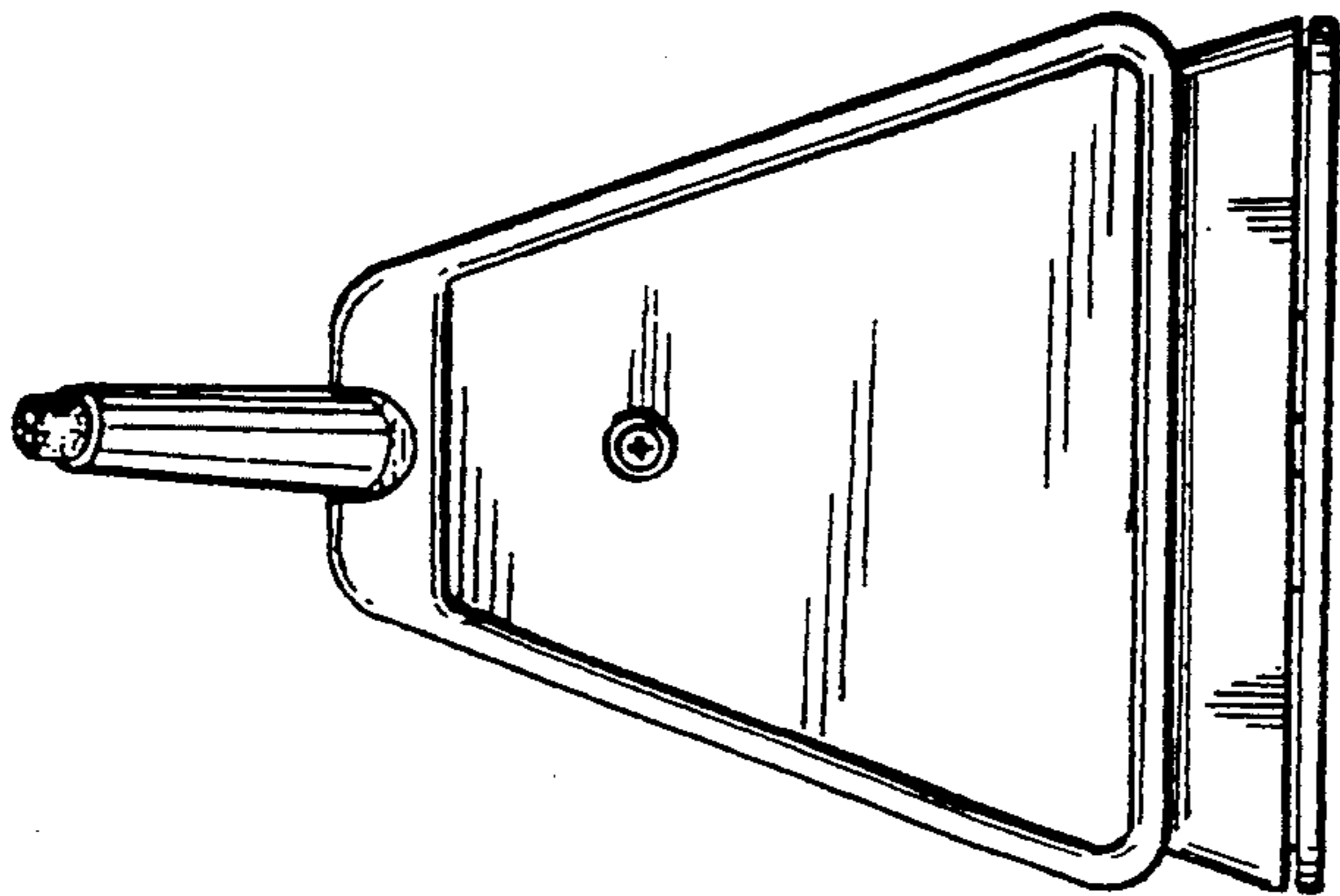


FIG. 5

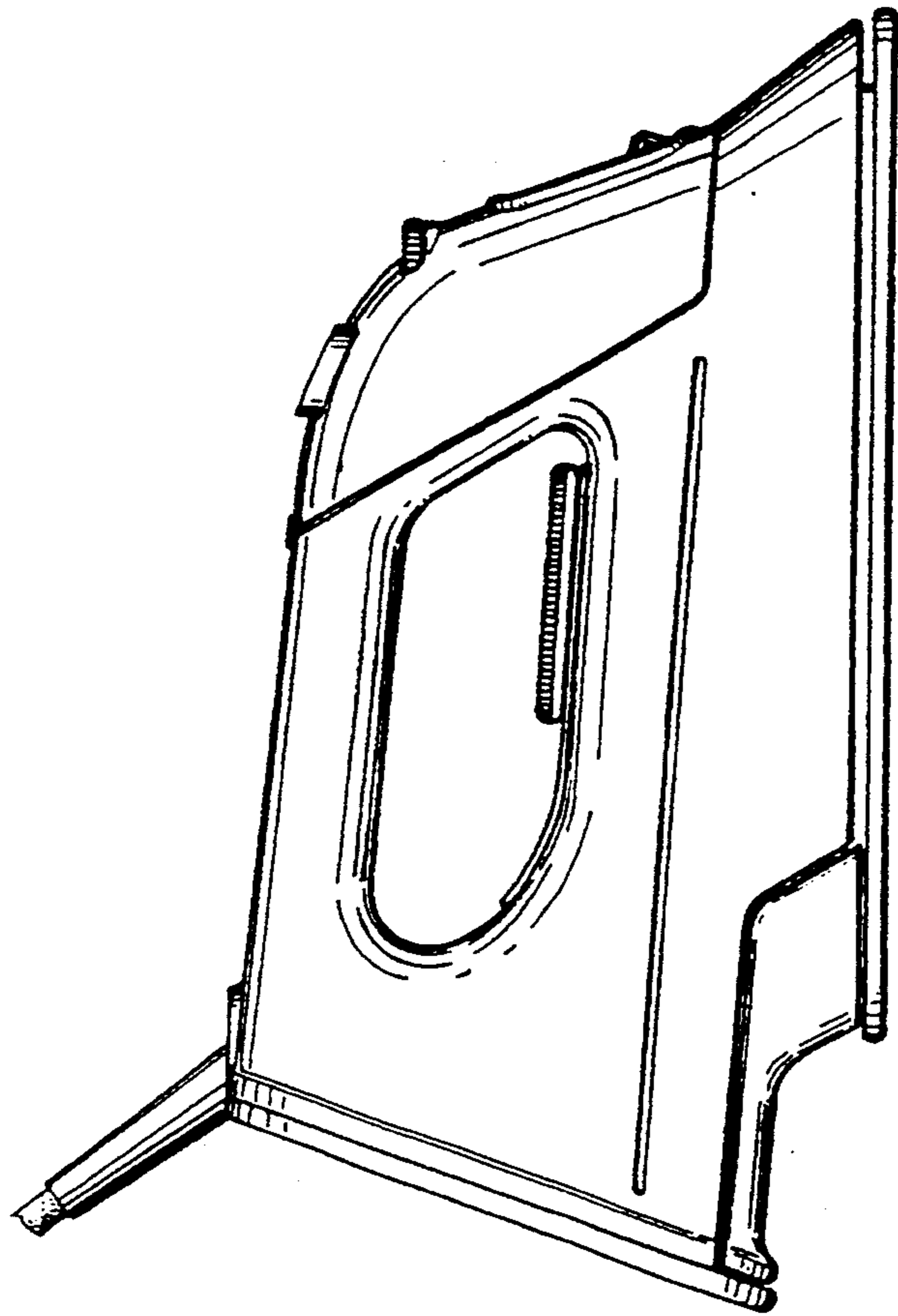


FIG. 6

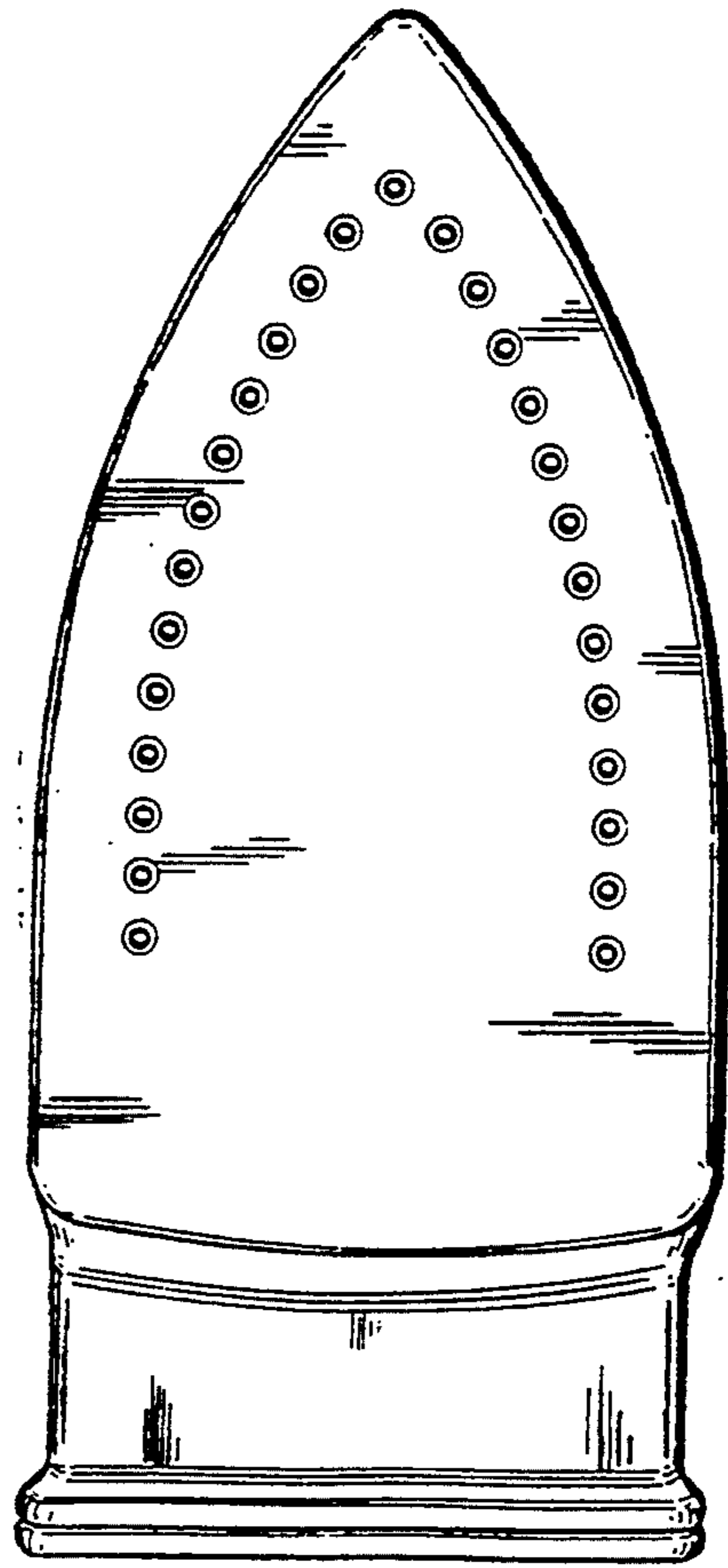


FIG. 7