



US00D353680S

United States Patent [19]

[11] Patent Number: **Des. 353,680**

Jansson

[45] Date of Patent: **** Dec. 20, 1994**

[54] **RETAINING WALL BLOCK**

5,214,898 6/1993 Beretta 405/284

[76] Inventor: **Jan E. Jansson**, 814 S. Sierra Ave., Solana Beach, Calif.

FOREIGN PATENT DOCUMENTS

2537408 4/1976 Germany .

[**] Term: **14 Years**

OTHER PUBLICATIONS

[21] Appl. No.: **15,695**

"Loffelstein Engineering Manual" ©, 1988.
Brochure, "Loffelstein Retaining Walls", circa (1988).

[22] Filed: **Nov. 24, 1993**

[52] U.S. Cl. **D25/113**

[58] Field of Search 52/596, 598, 607-612;
405/284, 286; D25/112, 118

Primary Examiner—A. Hugo Word
Assistant Examiner—Doris Clark
Attorney, Agent, or Firm—Dressler, Goldsmith, Shore & Milnamow

[56] References Cited

U.S. PATENT DOCUMENTS

D. 310,267	8/1990	Zeidman	D25/113
2,960,797	11/1960	Frehner	D25/113
4,379,659	4/1983	Steiner	405/284
4,470,728	9/1984	Broadbent	405/284
4,671,706	6/1987	Giardini	405/286
4,684,294	8/1987	O'Neill	405/286
4,964,761	10/1990	Rossi	405/286
5,066,169	11/1991	Gavin et al.	405/284
5,072,566	12/1991	Zeidman	52/608
5,108,231	4/1992	Rausch	405/284
5,154,542	10/1992	Klenert	405/284
5,163,261	11/1992	O'Neill	52/610
5,177,925	1/1993	Winkler et al.	52/607

[57] CLAIM

The ornamental design for a retaining wall block, as shown and described.

DESCRIPTION

FIG. 1 is a perspective view of a retaining wall block showing my new design;
FIG. 2 is a top plan view thereof;
FIG. 3 is a side elevational view thereof, the other side being a mirror image of that shown;
FIG. 4 is a rear elevational view thereof;
FIG. 5 is a front elevational view thereof; and,
FIG. 6 is a bottom plan view thereof.

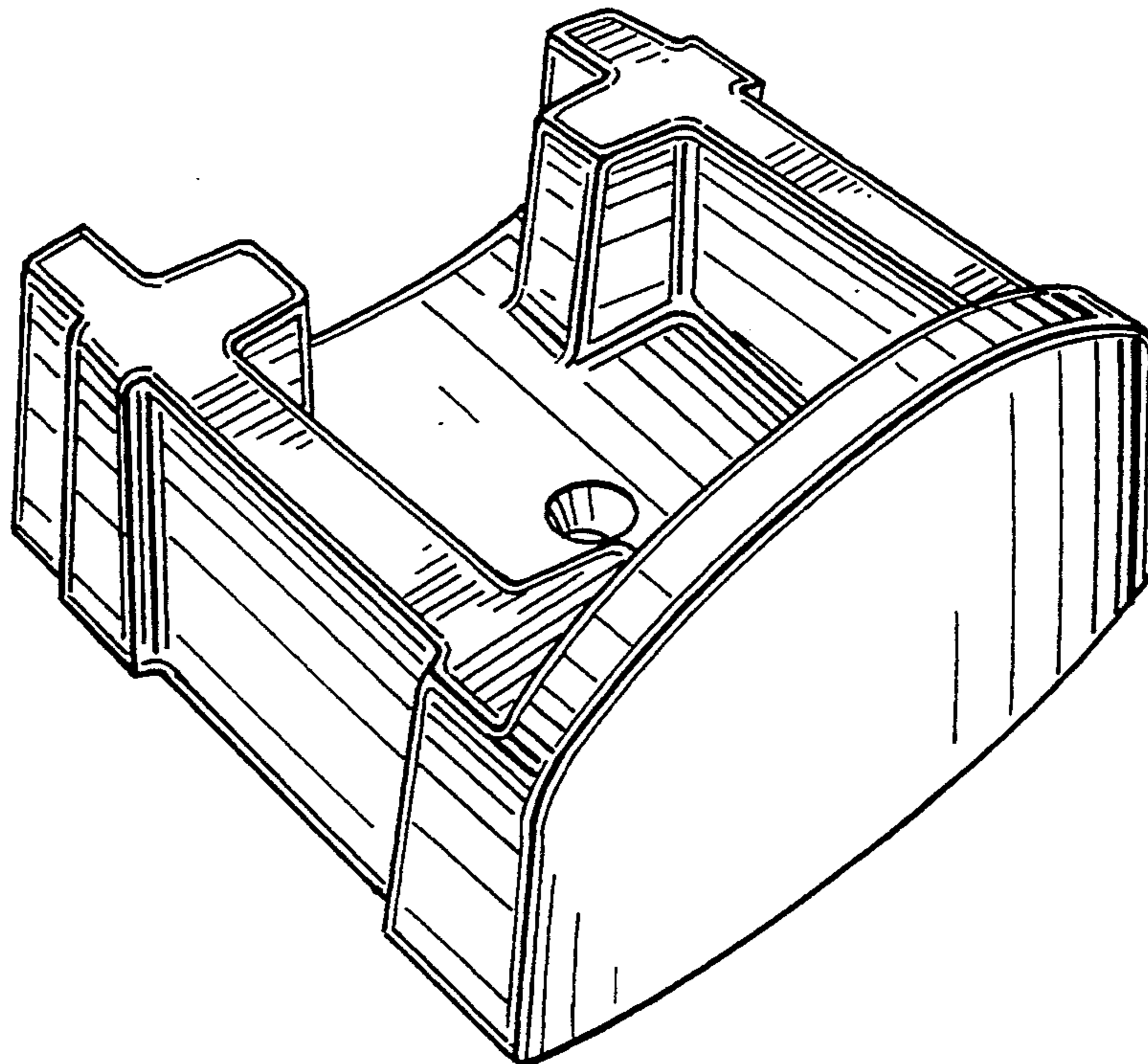


Fig. 1

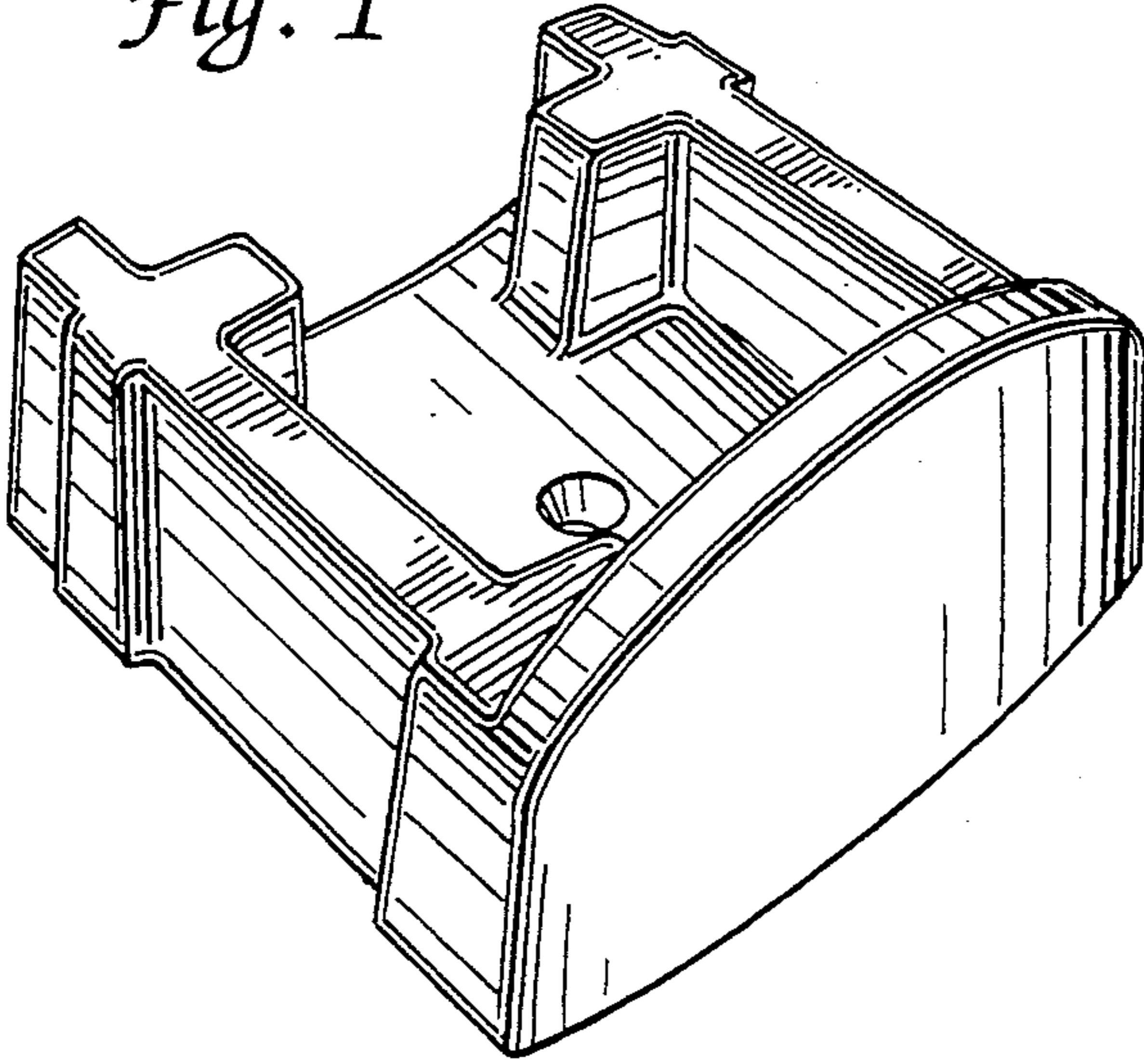


Fig. 2

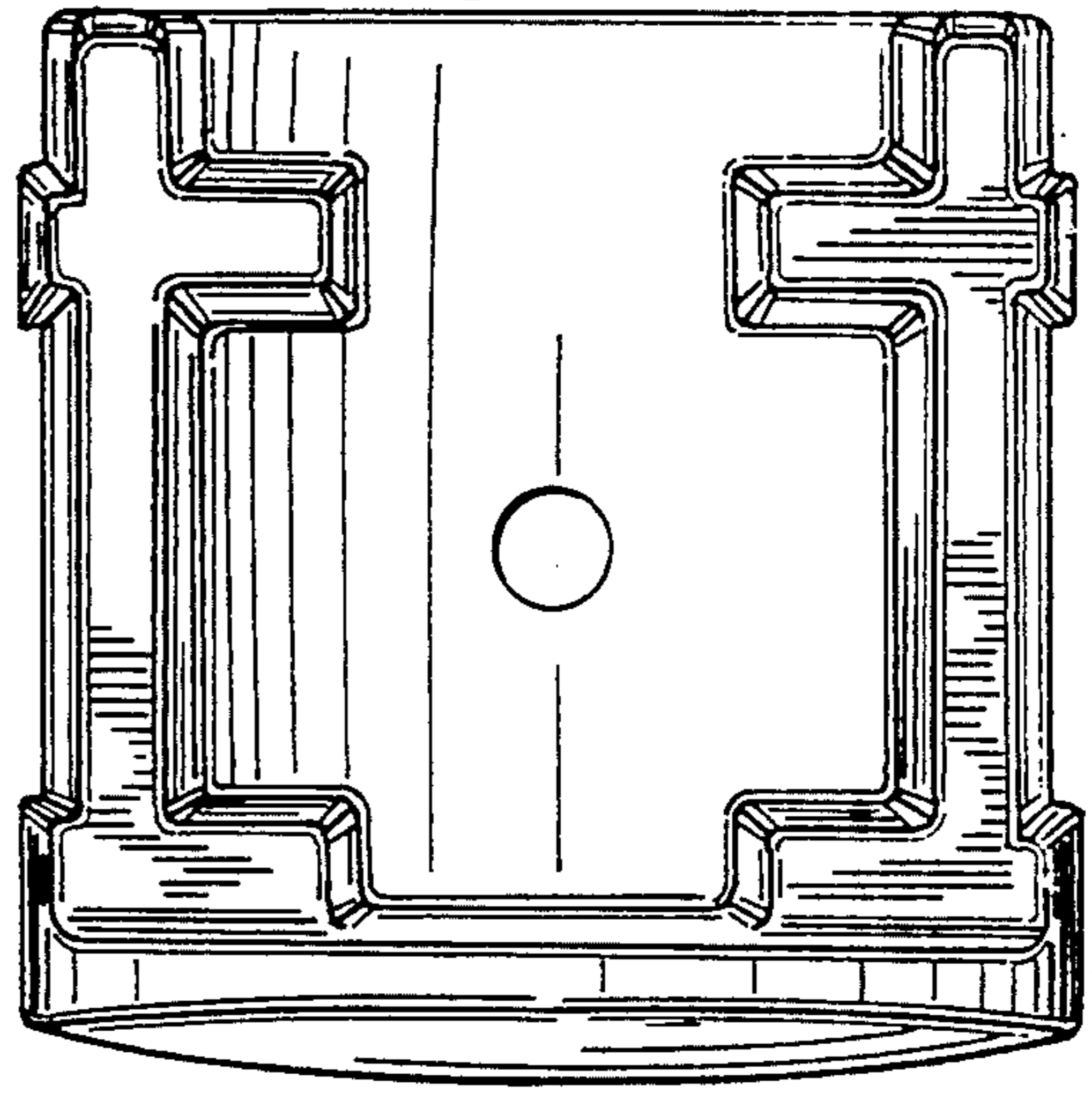


Fig. 3

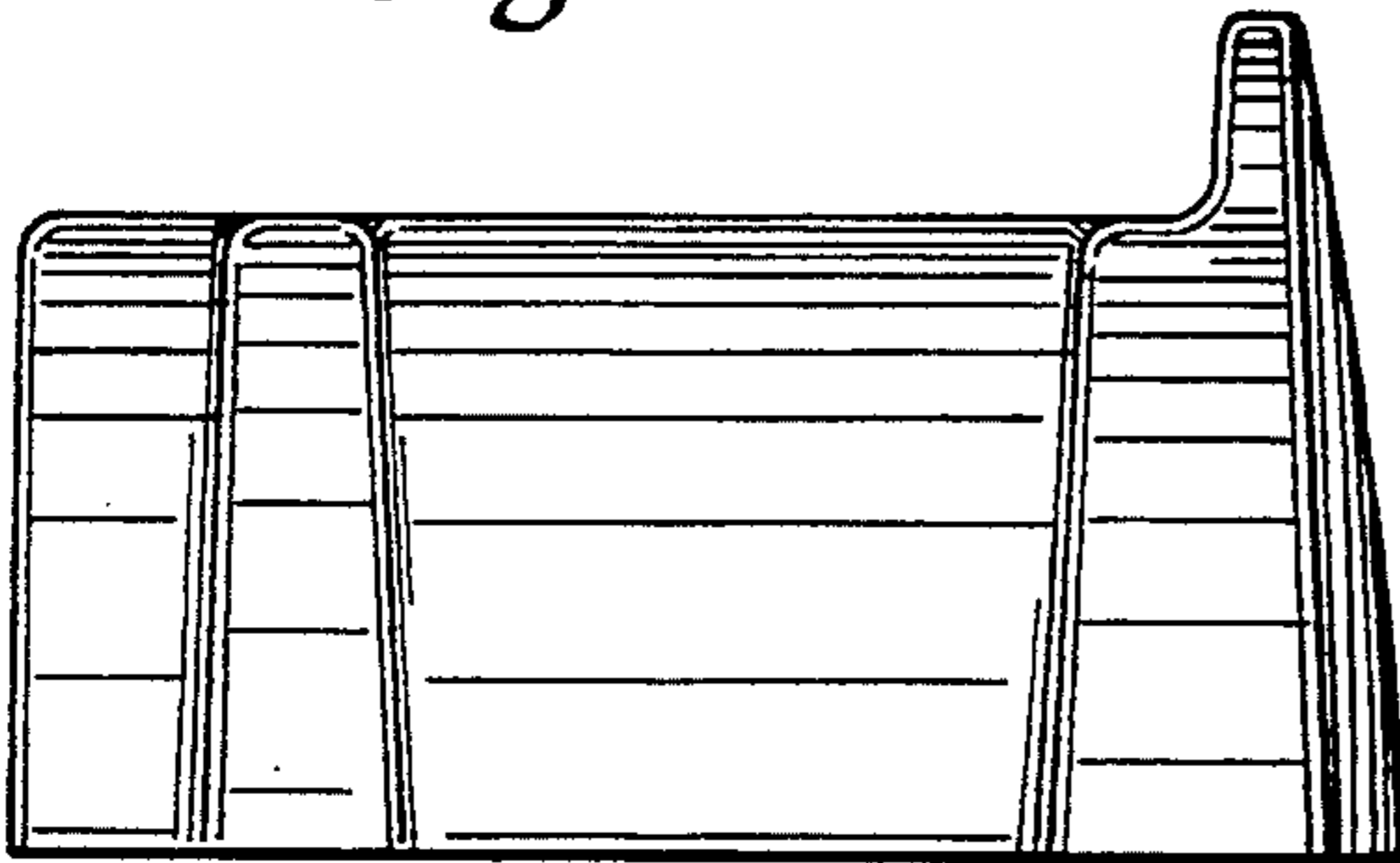


Fig. 4

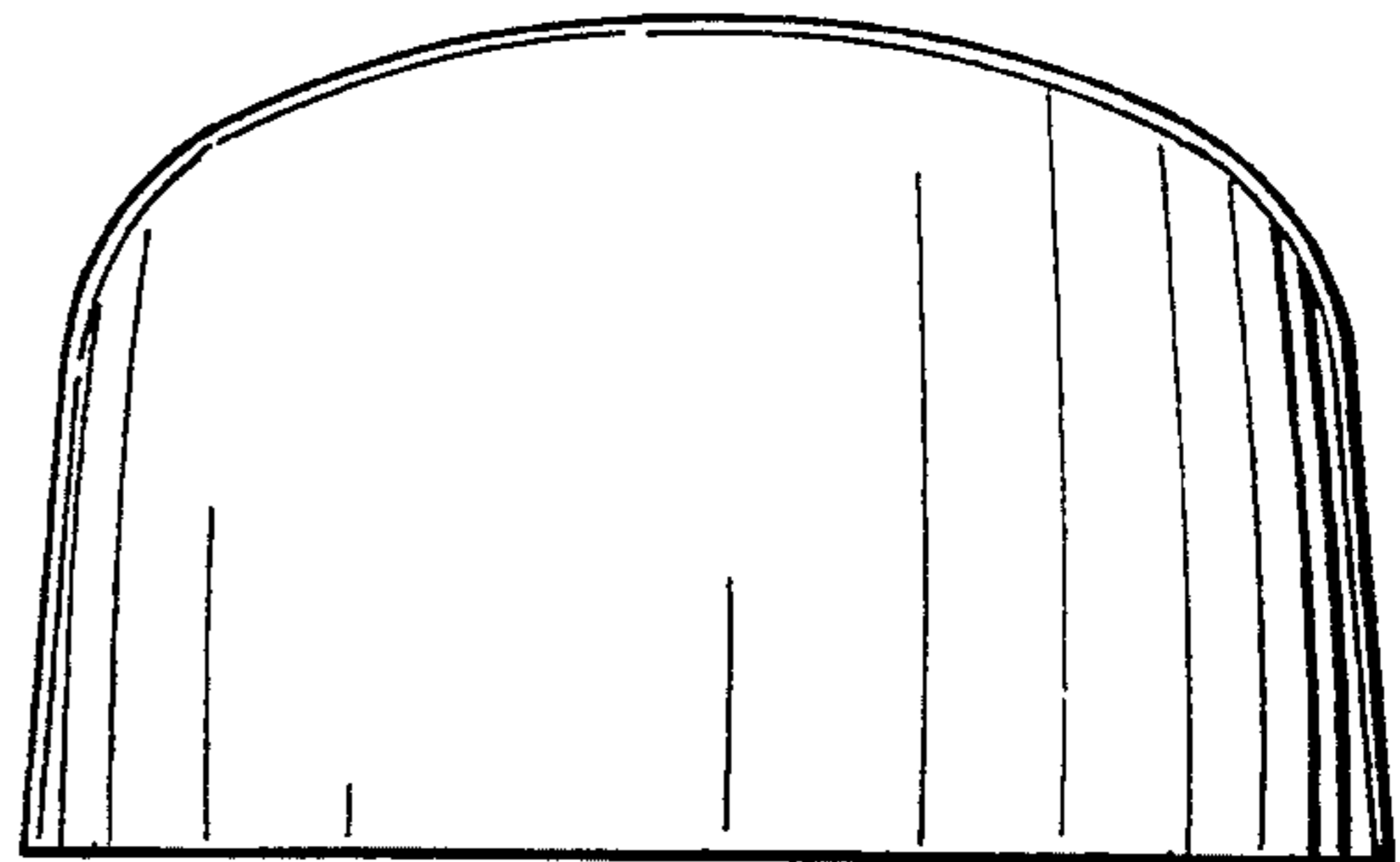


Fig. 5

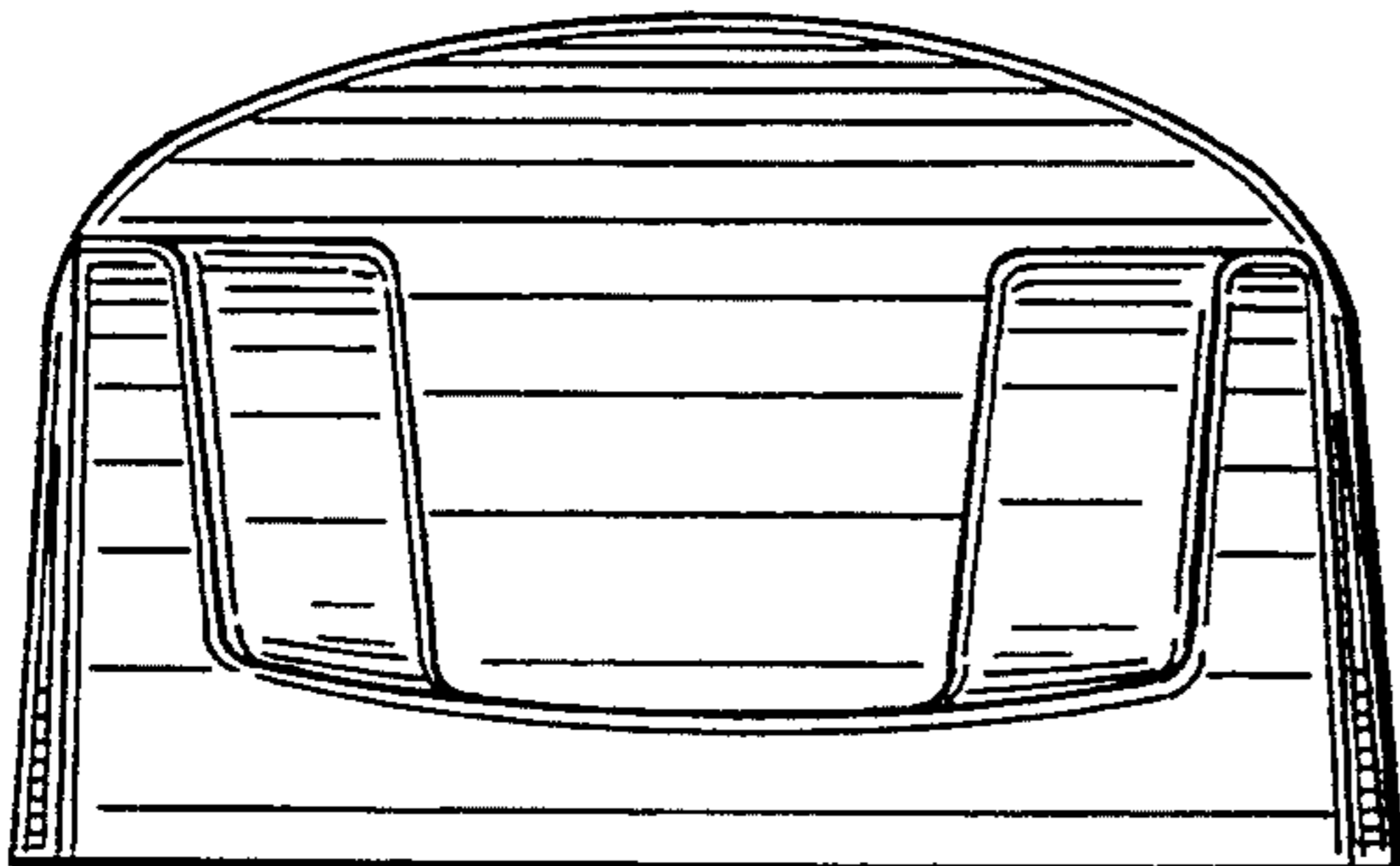


Fig. 6

